



US00D728182S

(12) **United States Design Patent**
Cook

(10) **Patent No.:** **US D728,182 S**

(45) **Date of Patent:** **** Apr. 28, 2015**

(54) **PAINT CAN GASKET**

(71) Applicant: **Robert Brian Cook**, Green Bay, WI
(US)

(72) Inventor: **Robert Brian Cook**, Green Bay, WI
(US)

(**) Term: **14 Years**

(21) Appl. No.: **29/452,259**

(22) Filed: **Apr. 15, 2013**

(51) **LOC (10) Cl.** **07-07**

(52) **U.S. Cl.**
USPC **D32/54**

(58) **Field of Classification Search**
USPC D9/414-416, 418-420, 423-427,
D9/430-432, 434, 435, 437, 447, 454,
D9/429; 206/508, 518, 539, 540; 220/657,
220/781, 695, 701; D7/391, 392, 629;
D23/259, 262, 269; D32/54; 222/570;
426/112, 77; 99/295

See application file for complete search history.

(56) **References Cited**

U.S. PATENT DOCUMENTS

575,449	A *	1/1897	Werner	220/657
3,016,169	A *	1/1962	Kirshenbaum	220/697
3,221,955	A *	12/1965	Banaszak et al.	222/570
3,894,650	A *	7/1975	Crump	220/701
D284,452	S *	7/1986	McKay	D9/434
D285,778	S *	9/1986	Smith	D9/434
4,969,570	A *	11/1990	Harvey, Sr.	D9/434
5,027,973	A *	7/1991	Drogos	220/657
D348,836	S *	7/1994	McCallum et al.	D9/456
D369,108	S *	4/1996	Haske	D9/447

6,213,338	B1 *	4/2001	Cogdill	220/700
D633,676	S *	3/2011	Erdfarb	D32/54
D659,334	S *	5/2012	Runyons	D32/54
D664,320	S *	7/2012	Sakko	D32/54
8,336,730	B2 *	12/2012	Pontes	220/716
D697,180	S *	1/2014	van de Klippe et al.	D23/269
D703,898	S *	4/2014	Neu et al.	D32/54
D704,313	S *	5/2014	van de Klippe et al.	D23/269
D706,908	S *	6/2014	Knapp	D23/269
D706,909	S *	6/2014	van de Klippe et al.	D23/269
2001/0038015	A1 *	11/2001	Pruckler	220/701
2010/0089931	A1 *	4/2010	Sheehy	220/701
2010/0089932	A1 *	4/2010	Sheehy	220/701

* cited by examiner

Primary Examiner — Susan Bennett Hattan

Assistant Examiner — Brett Miller

(74) *Attorney, Agent, or Firm* — Steven H. Greenfield;
Greenfield Invention and Patent Consulting, Inc.

(57) **CLAIM**

The ornamental design for a paint can gasket, as shown and described.

DESCRIPTION

FIG. 1 is a first side view of a paint can gasket showing my new design;

FIG. 2 is a second side view thereof;

FIG. 3 is a third side view thereof;

FIG. 4 is a fourth side view thereof;

FIG. 5 is a bottom view thereof;

FIG. 6 is a top view thereof;

FIG. 7 is a top perspective view thereof;

FIG. 8 is a bottom perspective view thereof; and,

FIG. 9 is a cutaway view thereof.

1 Claim, 9 Drawing Sheets

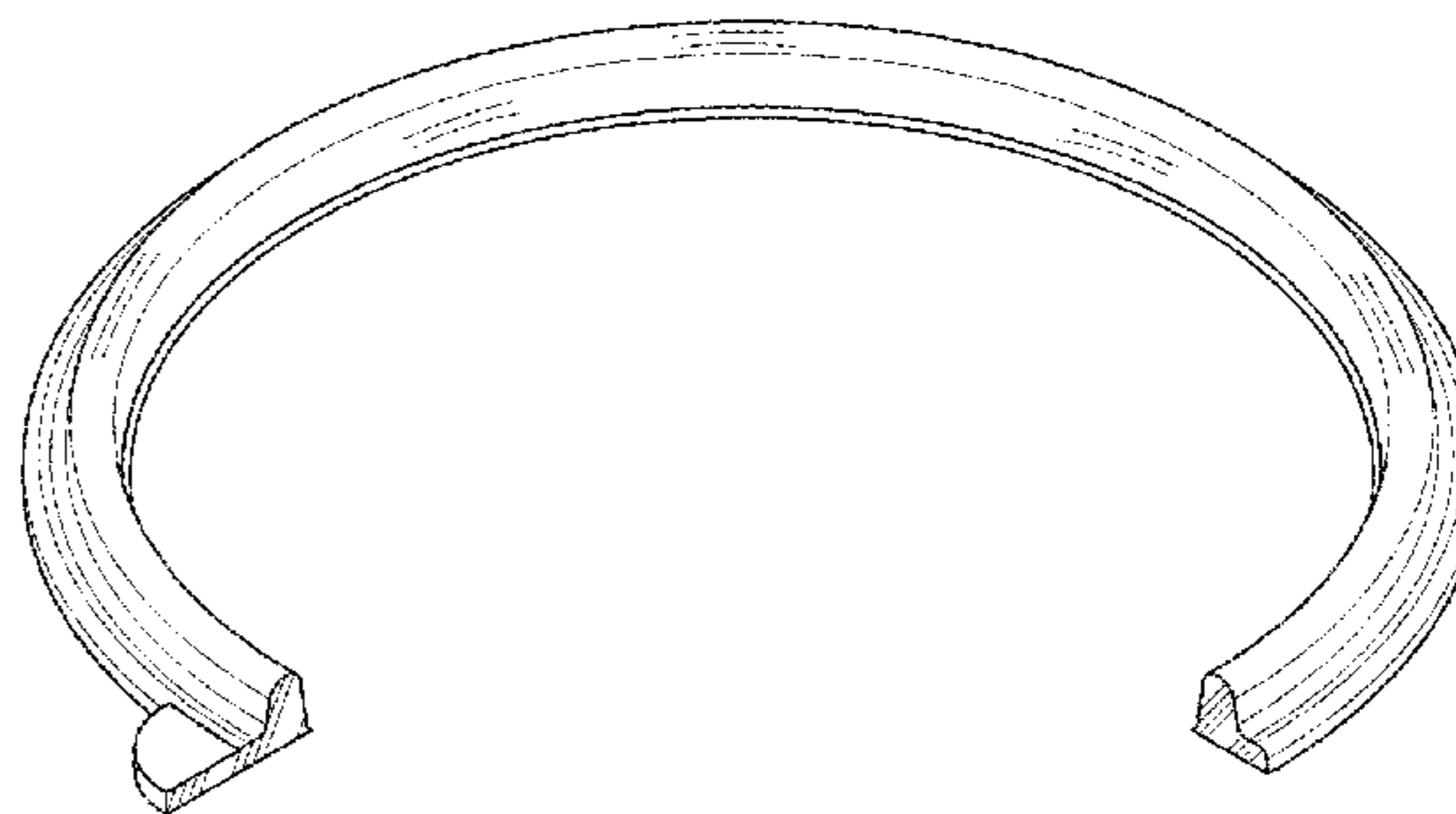
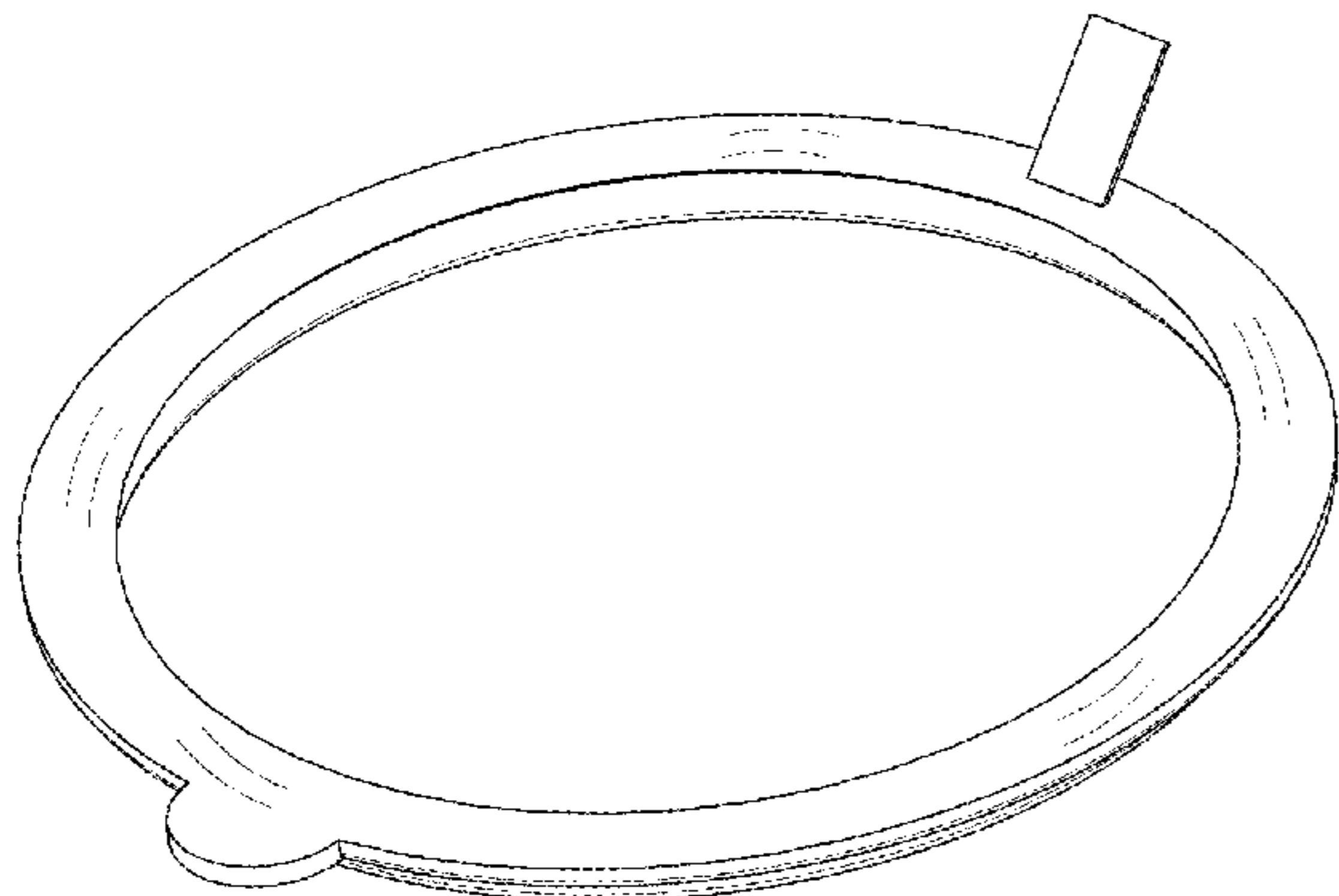


FIG. 1

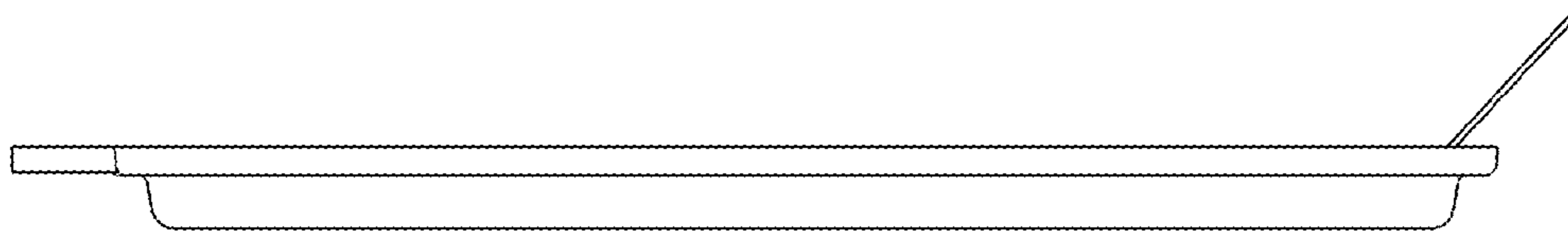


FIG. 2

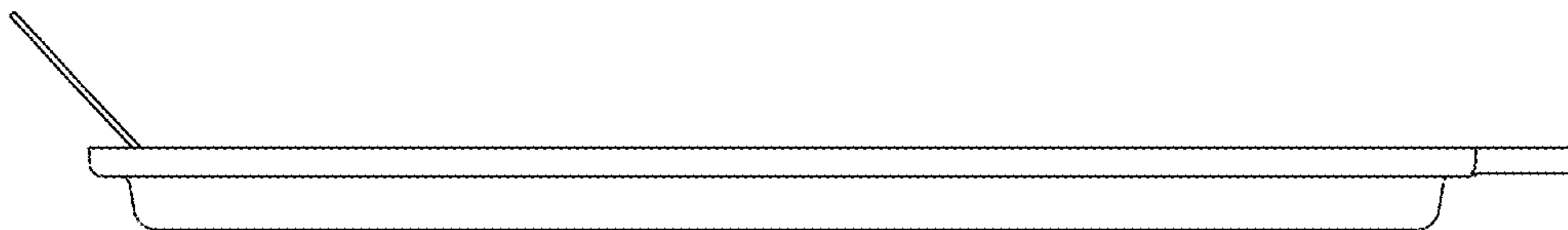


FIG. 3

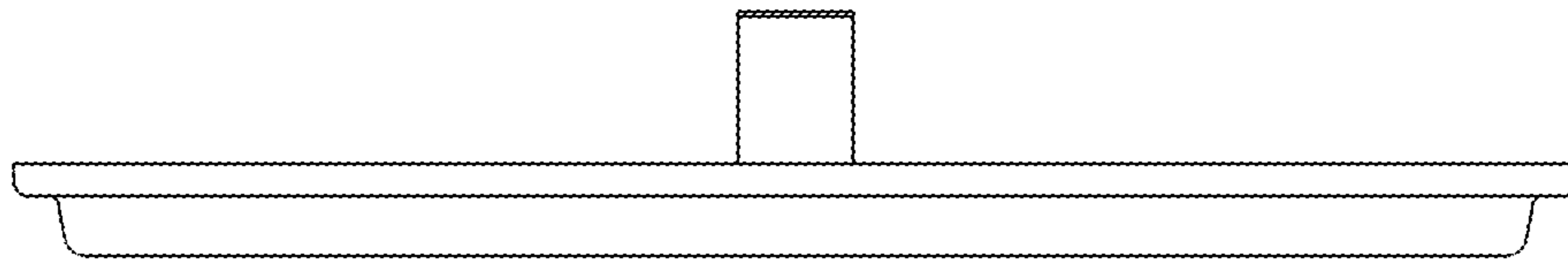


FIG. 4

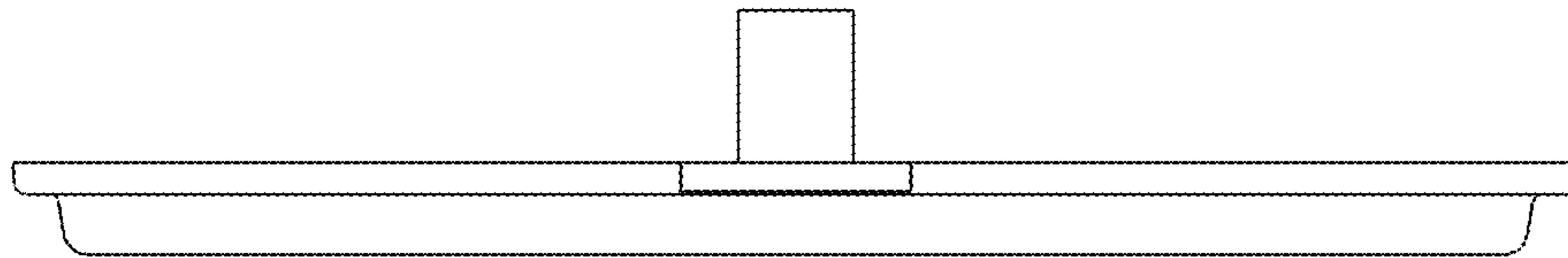


FIG. 5

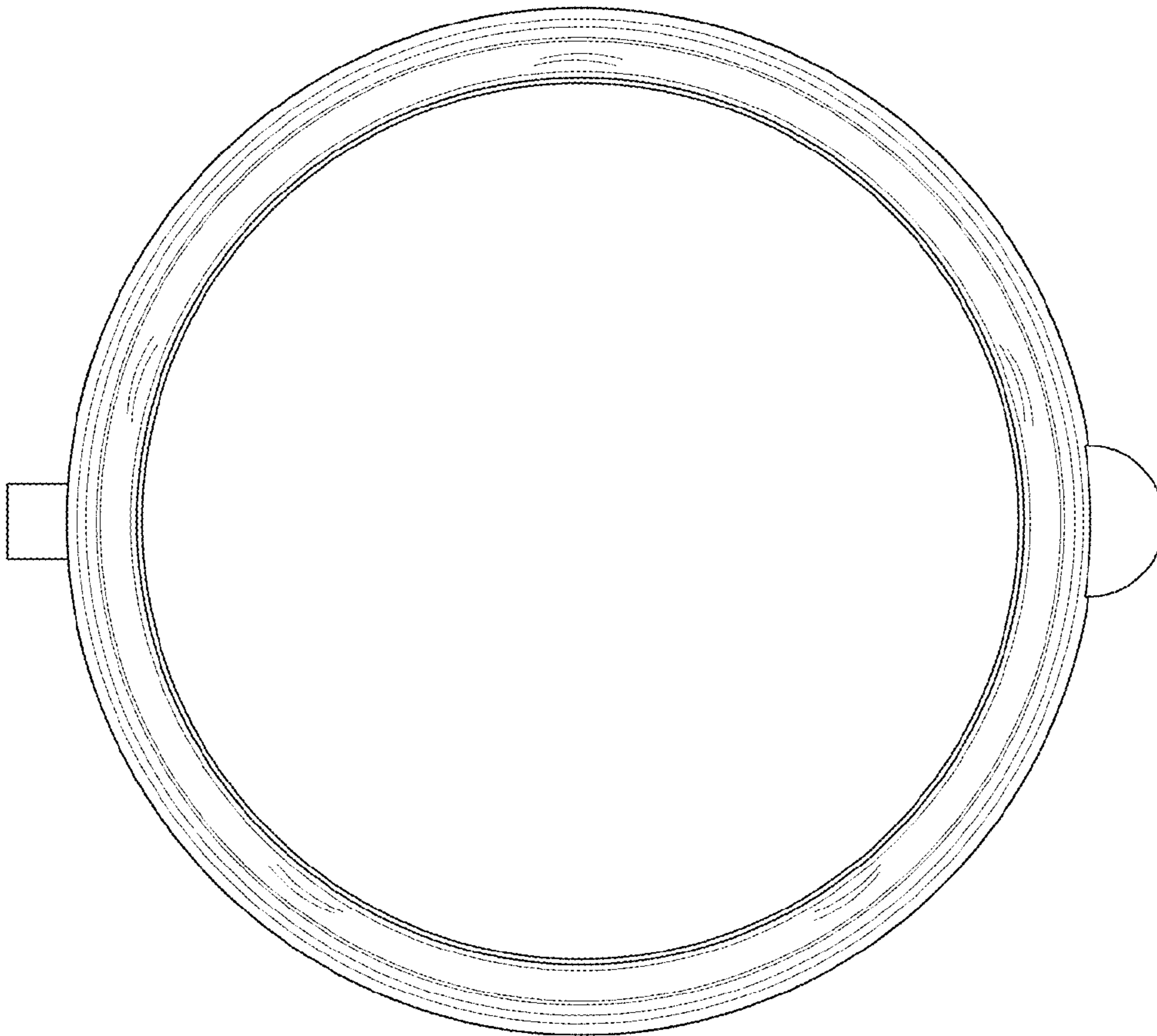


FIG. 6

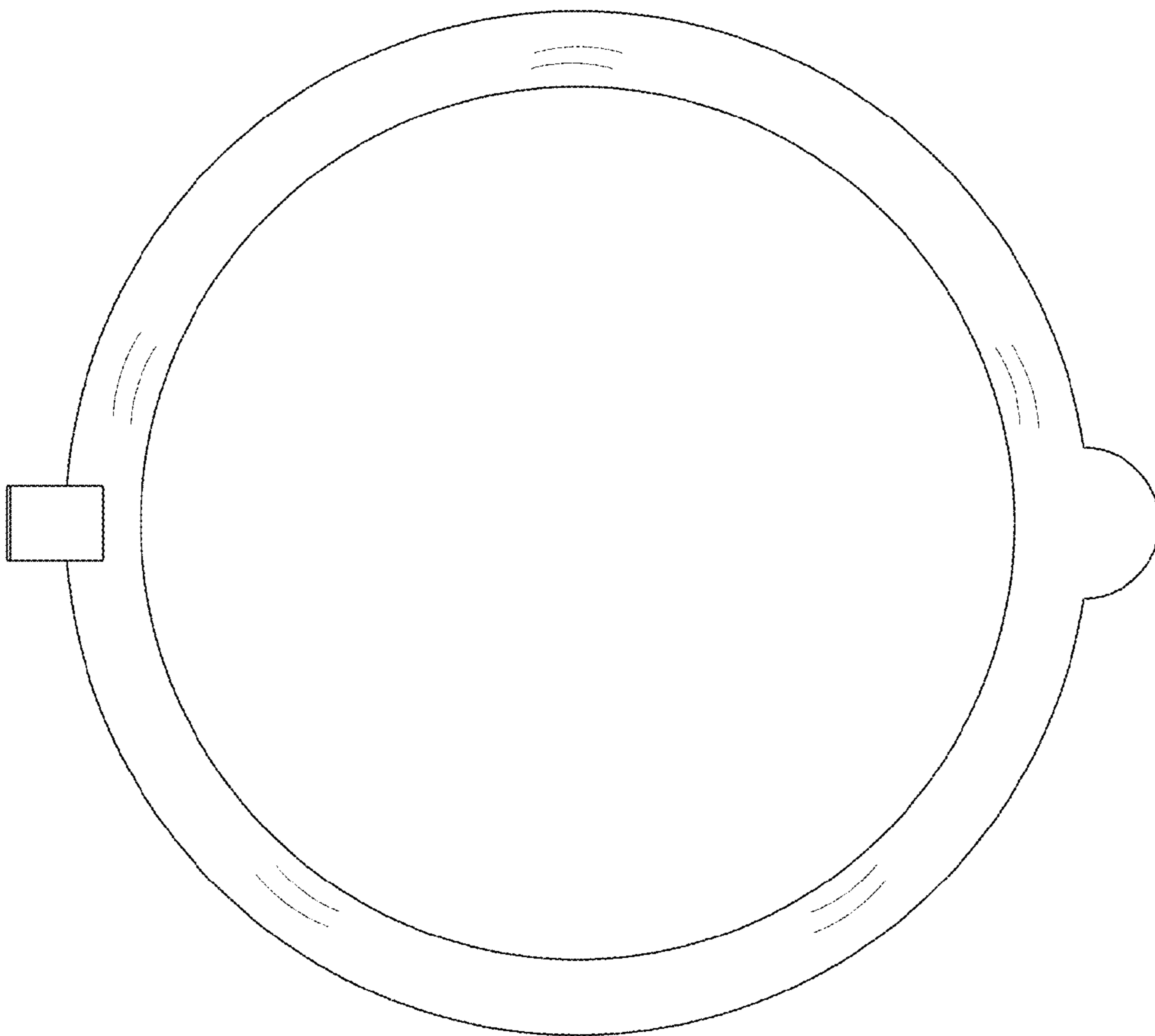


FIG. 7

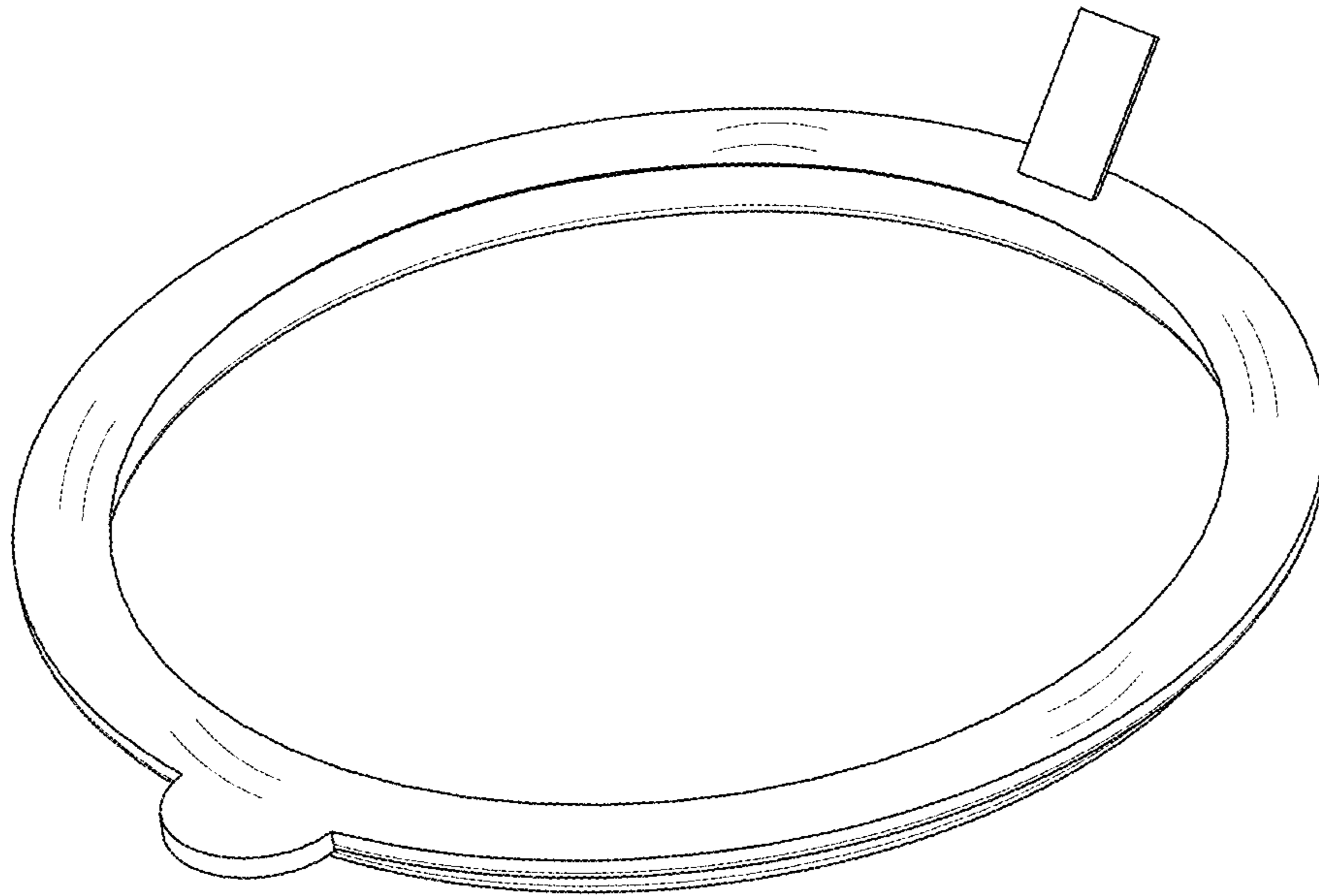


FIG. 8

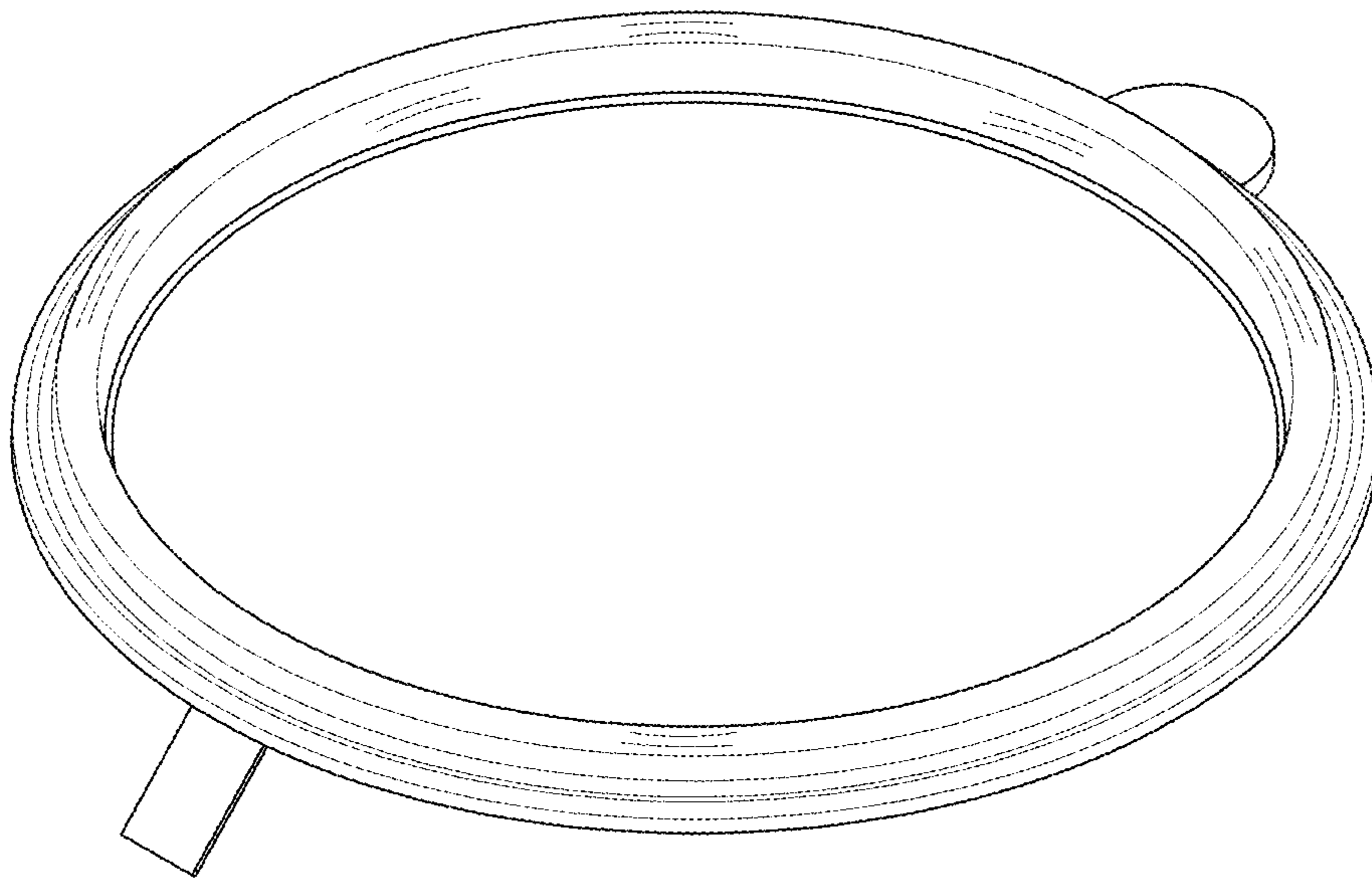


FIG. 9

