



US00D728180S

(12) **United States Design Patent**
Thome et al.

(10) **Patent No.:** **US D728,180 S**
(45) **Date of Patent:** **** Apr. 28, 2015**

- (54) **VACUUM CLEANER HEAD**
- (71) Applicant: **Euro-Pro Operating LLC**, Newton, MA (US)
- (72) Inventors: **Jason Boyd Thome**, Wellesley Hills, MA (US); **Dan Bilger**, Holliston, MA (US)
- (73) Assignee: **Euro-Pro Operating LLC**, Newton, MA (US)
- (**) Term: **14 Years**
- (21) Appl. No.: **29/472,384**
- (22) Filed: **Nov. 12, 2013**

Related U.S. Application Data

- (63) Continuation of application No. 29/415,167, filed on Mar. 8, 2012, now Pat. No. Des. 695,980.
- (51) **LOC (10) Cl.** **15-05**
- (52) **U.S. Cl.**
USPC **D32/33**
- (58) **Field of Classification Search**
USPC D32/22, 30-31, 34; 55/429, 337, 55/DIG. 3, 410, 347, 328, 350, 352, 353, 55/361, DIG. 8, 246.2, 320, 322, 55/415.1-422.2

See application file for complete search history.

(56) **References Cited**

U.S. PATENT DOCUMENTS

- D358,242 S * 5/1995 McKnight D32/32
- D400,324 S 10/1998 Bobrosky et al.
- D418,267 S * 12/1999 Lin D32/32
- D435,945 S 1/2001 Ikeno et al.
- D455,876 S 4/2002 Arney et al.
- D473,981 S 4/2003 Wareham
- D475,820 S 6/2003 Dyson et al.
- D481,180 S 10/2003 Fujii

- D487,172 S 2/2004 Oh et al.
- D494,719 S 8/2004 Rosenzweig et al.
- D510,465 S 10/2005 Takahashi et al.
- D516,259 S 2/2006 Richardson et al.
- D518,928 S 4/2006 Chiba
- D521,699 S 5/2006 Greene et al.
- D524,498 S * 7/2006 Luebbering et al. D32/32
- D531,770 S 11/2006 Luebbering et al.
- D532,168 S 11/2006 Elrod
- D532,943 S 11/2006 Haranaka
- D532,944 S 11/2006 Choi
- D533,976 S 12/2006 Luebbering et al.
- D535,070 S 1/2007 Shin
- D537,220 S * 2/2007 Porter et al. D32/32
- D537,584 S 2/2007 Greene et al.
- D537,994 S 3/2007 Leyden
- D541,497 S 4/2007 Elrod
- D543,669 S * 5/2007 Ikeno et al. D32/32
- D547,505 S 7/2007 Carr et al.
- D553,313 S 10/2007 Parr et al.
- D566,354 S * 4/2008 Paredes et al. D32/32
- D587,870 S 3/2009 Baek et al.

(Continued)

Primary Examiner — Ruth McInroy

(74) *Attorney, Agent, or Firm* — Yang IPCo, PLLC

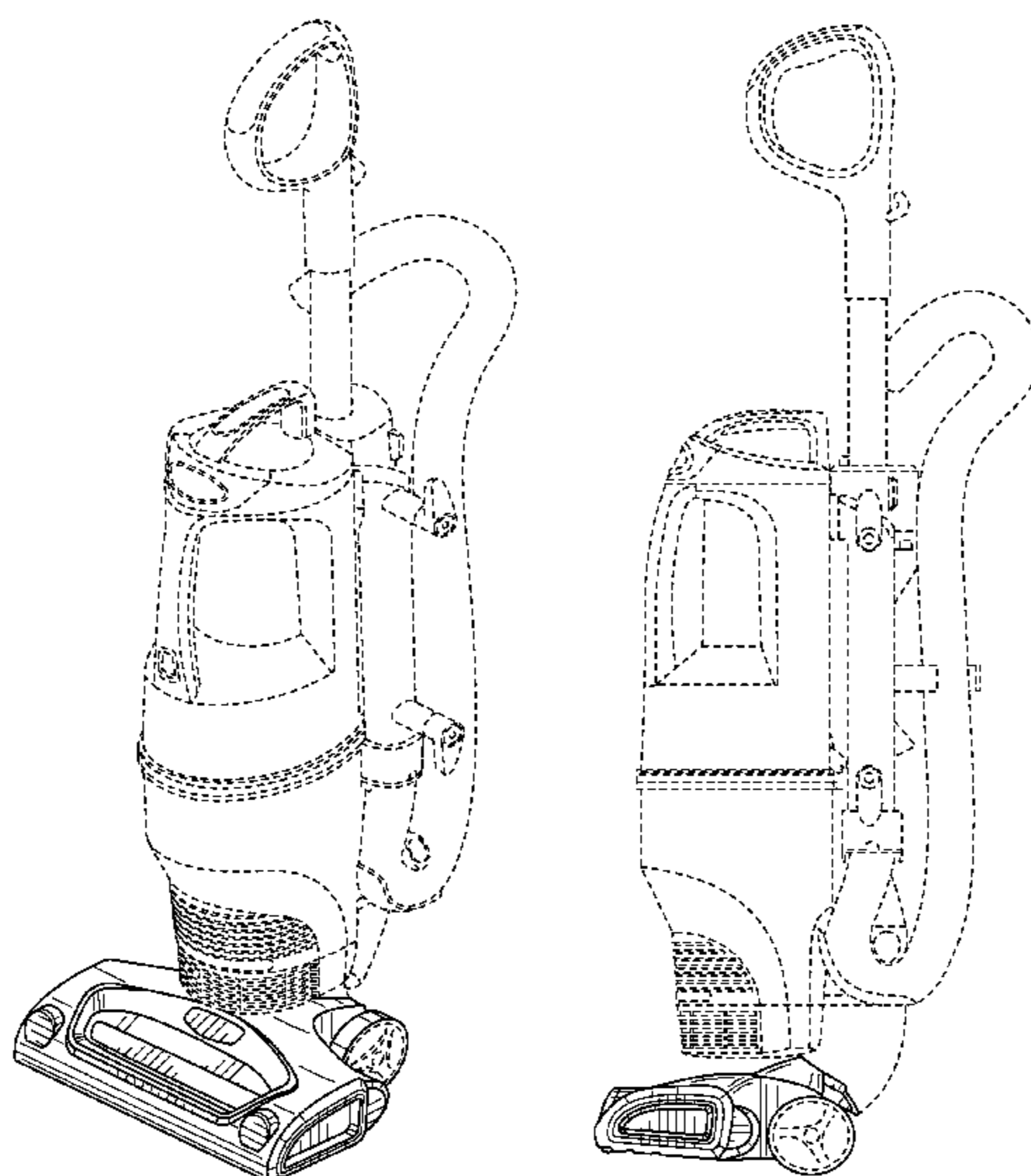
(57) **CLAIM**

We claim the ornamental design for a vacuum cleaner head, as shown and described.

DESCRIPTION

FIG. 1 is a perspective view of a vacuum cleaner head in accordance with the present design;
 FIG. 2 is a left side elevational view thereof;
 FIG. 3 is a right side elevational view thereof;
 FIG. 4 is a front perspective view thereof;
 FIG. 5 is a rear perspective view thereof;
 FIG. 6 is a top plan view thereof; and,
 FIG. 7 is a bottom plan view thereof.
 The broken lines are for illustrative purposes only and form no part of the claimed design.

1 Claim, 6 Drawing Sheets



(56)

References Cited

U.S. PATENT DOCUMENTS

D594,612 S *	6/2009	Umeda	D32/32	D632,037 S	2/2011	Carr et al.	
D597,917 S	8/2009	Chung		7,879,142 B2	2/2011	Han et al.	
D608,064 S	1/2010	Conrad et al.		D637,777 S	5/2011	Fiorino et al.	
D609,418 S	2/2010	Santiago et al.		8,032,983 B2	10/2011	Griffith et al.	
D611,210 S	3/2010	Conrad et al.		D648,087 S	11/2011	Park et al.	
D612,114 S	3/2010	Ikeno		D662,271 S	6/2012	Conrad et al.	
D618,873 S *	6/2010	Ayers	D32/33	D662,272 S	6/2012	Conrad et al.	
D621,564 S *	8/2010	Kaffenberger	D32/32	D667,184 S *	9/2012	Chu et al.	D32/33
D631,628 S	1/2011	Benacquisto et al.		8,268,029 B2	9/2012	Yoo	
D632,035 S	2/2011	Luyckx et al.		2008/0178420 A1	7/2008	Conrad	
D632,036 S	2/2011	McNeil et al.		2011/0219574 A1	9/2011	Conrad	
				2011/0219580 A1	9/2011	Conrad	
				2011/0225764 A1	9/2011	Muhlenkamp et al.	

* cited by examiner

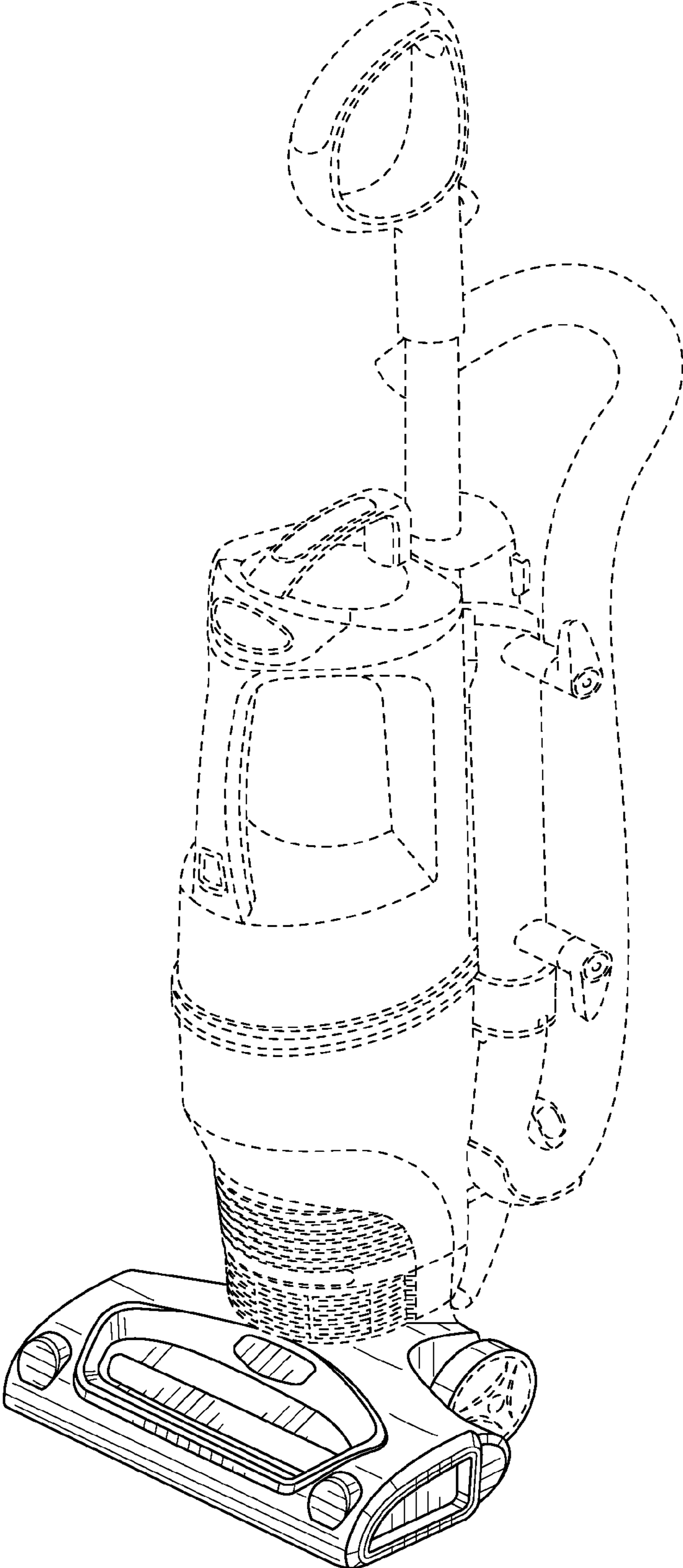


FIG. 1

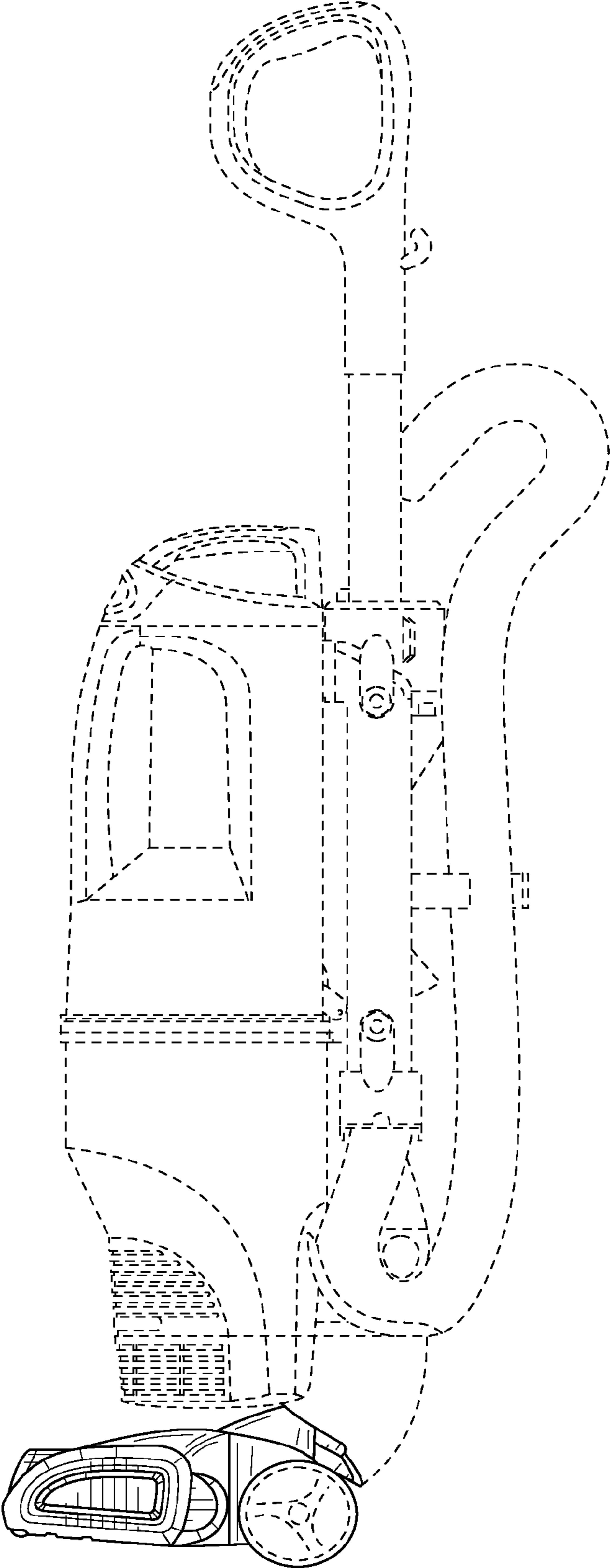


FIG. 2

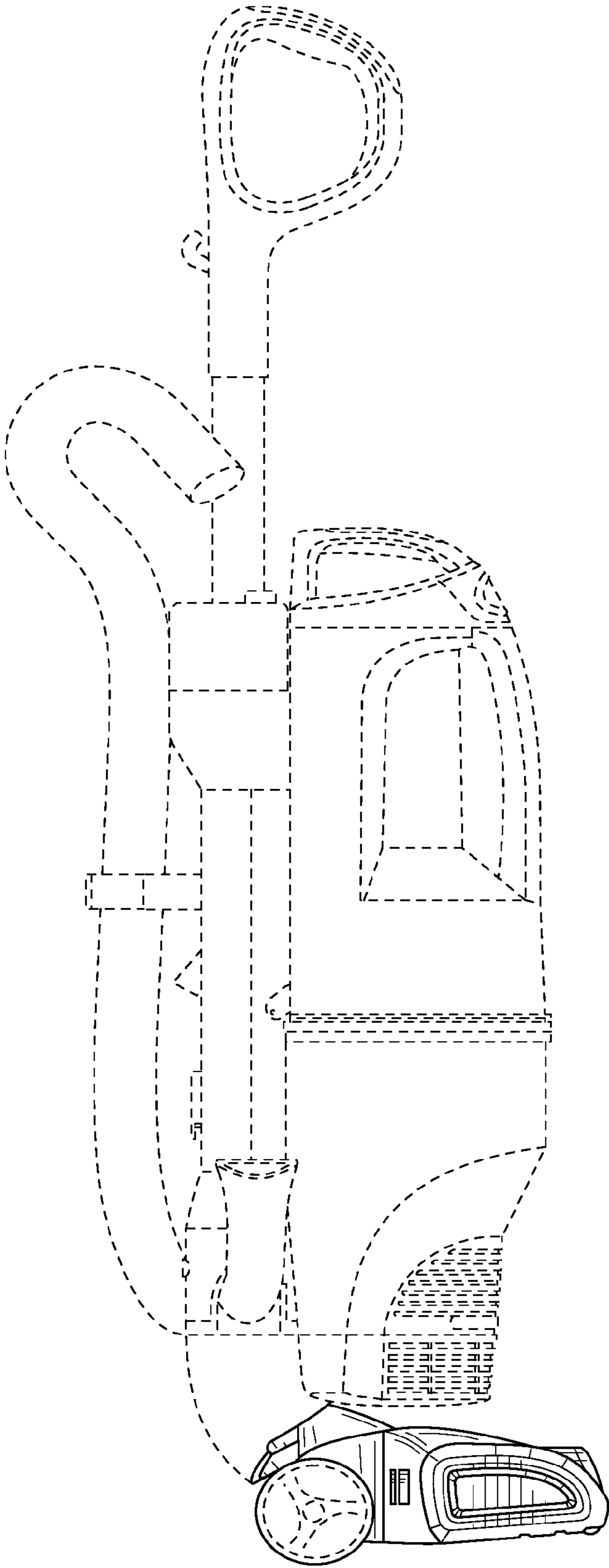


FIG. 3

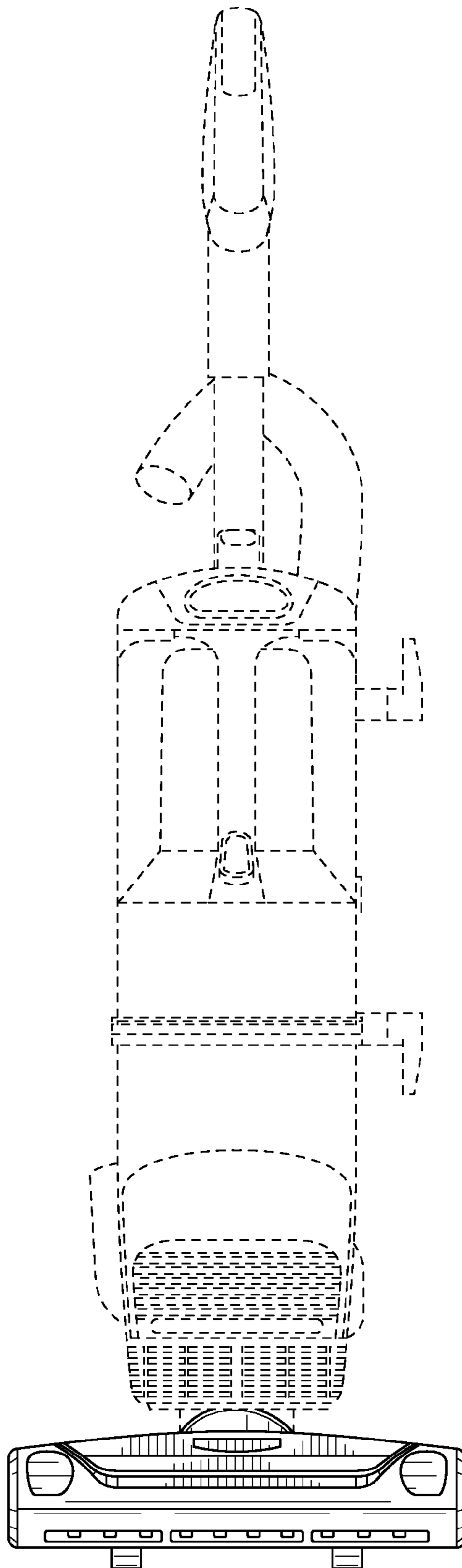


FIG. 4

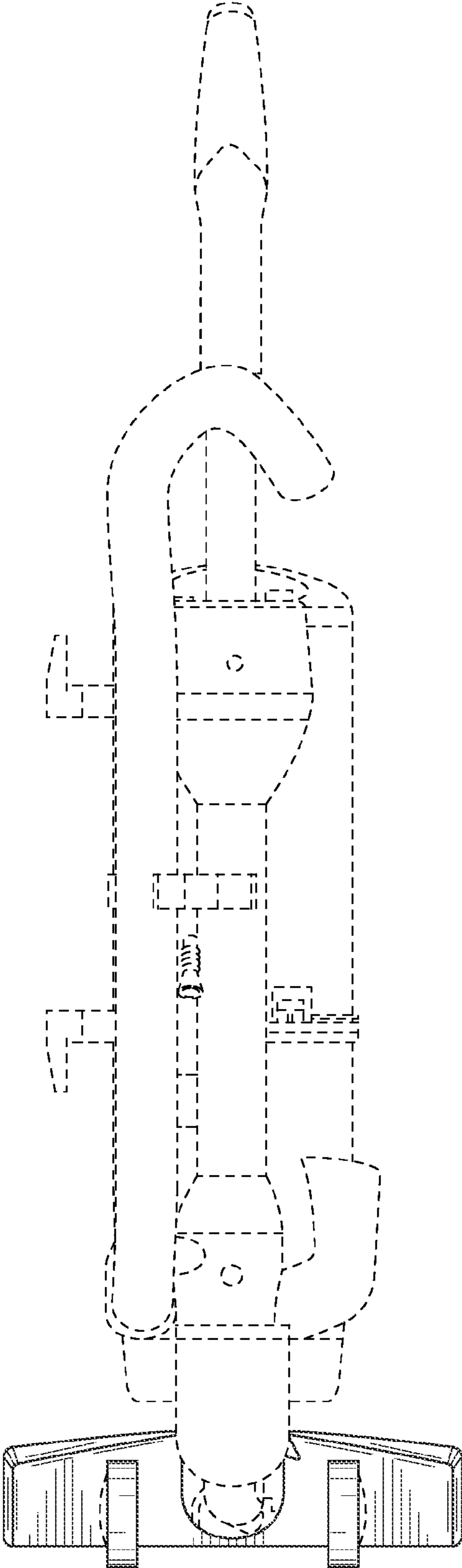


FIG. 5

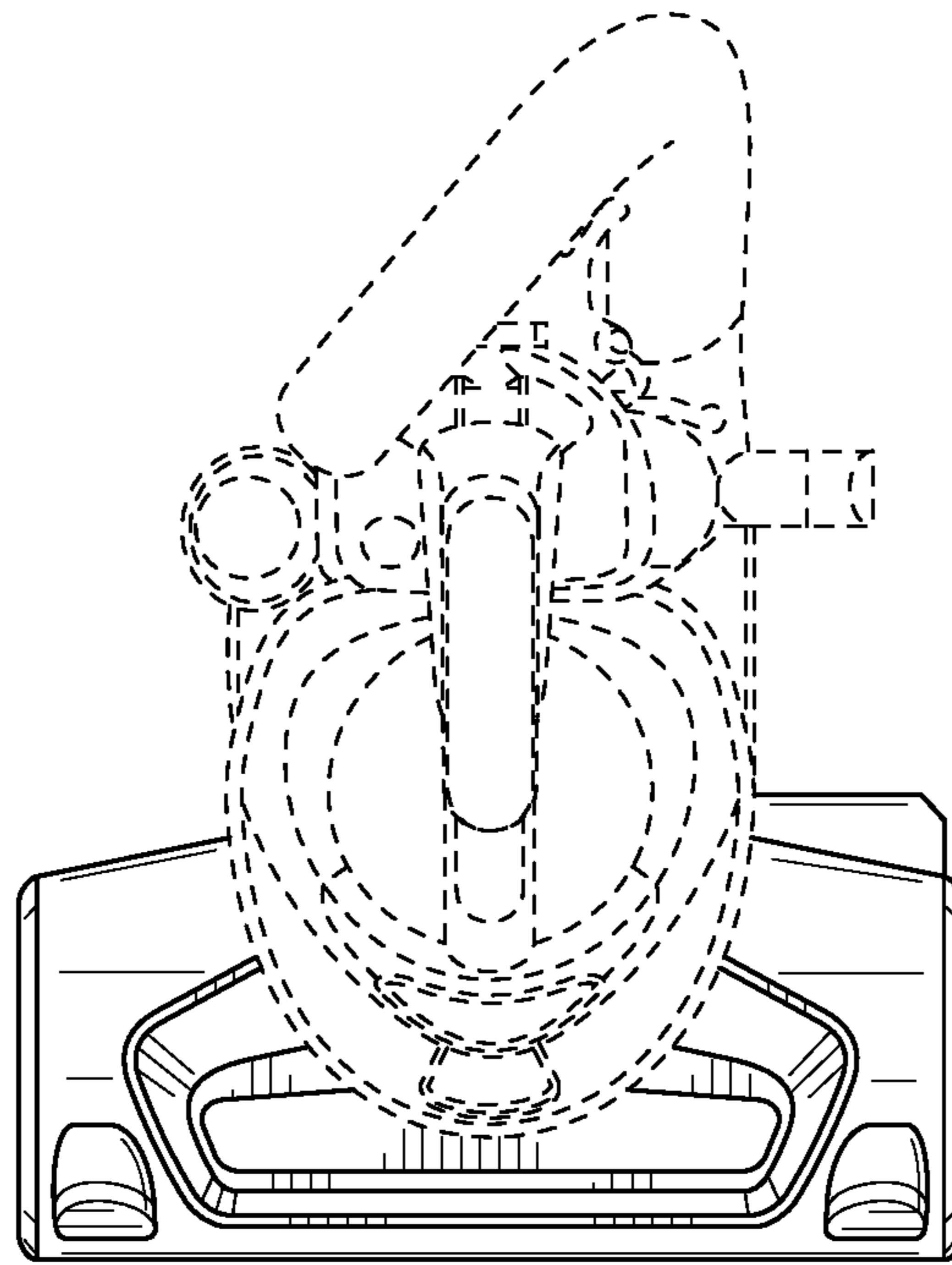


FIG. 6

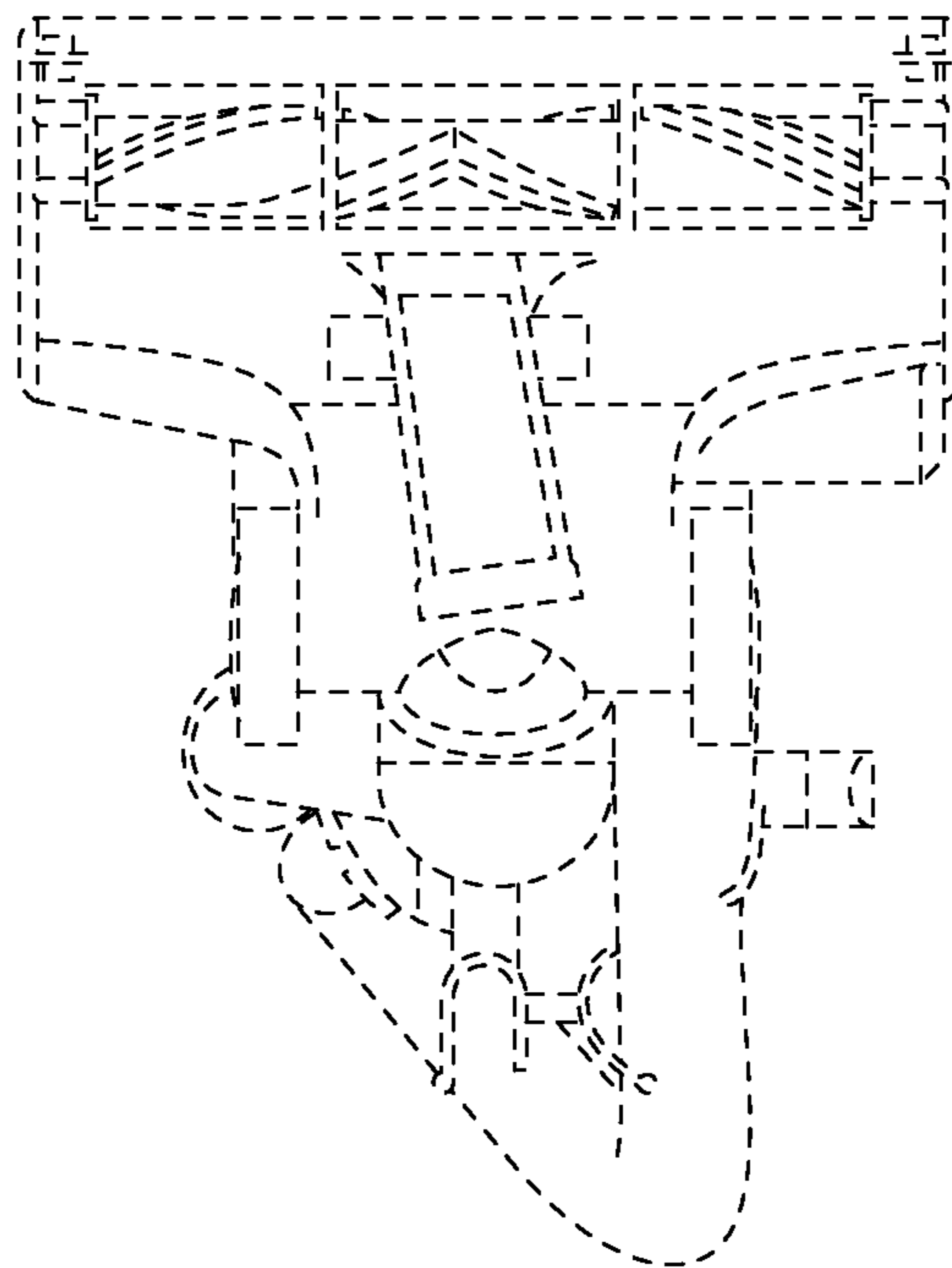


FIG. 7