



US00D728179S

(12) **United States Design Patent**
Yoon et al.

(10) **Patent No.:** **US D728,179 S**
(45) **Date of Patent:** **** Apr. 28, 2015**

- (54) **WATER TANK FOR CLEANER**
- (71) Applicant: **Samsung Electronics Co., Ltd.**,
Suwon-si, Gyeonggi-do (KR)
- (72) Inventors: **Soo-Hyun Yoon**, Seoul (KR);
Yeon-Young Nam, Goyang-Si (KR)
- (73) Assignee: **Samsung Electronics Co., Ltd.** (KR)
- (**) Term: **14 Years**
- (21) Appl. No.: **29/490,163**
- (22) Filed: **May 7, 2014**

- (30) **Foreign Application Priority Data**
Nov. 8, 2013 (KR) 30-2013-0056380
- (51) **LOC (10) Cl.** **15-05**
- (52) **U.S. Cl.**
USPC **D32/31**
- (58) **Field of Classification Search**
CPC A47L 7/0038; A47L 5/36-5/367;
A47L 5/24; A47L 5/14; A47L 5/28; A47L
7/0019; A47L 7/0023; A47L 7/0004; A47L
9/1666; A47L 9/1683; A47L 11/34; A47L
11/4072; A47L 9/009; A47L 11/40
USPC 301/95.101, 105.1, 5.1; D12/501, 204,
D12/208; D32/21, 23-24, 31
See application file for complete search history.

- (56) **References Cited**
U.S. PATENT DOCUMENTS
D441,155 S * 4/2001 Thur et al. D32/31
D453,403 S * 2/2002 Stephens et al. D32/30

D453,595	S	*	2/2002	Stephens et al.	D32/30
D472,683	S	*	4/2003	Stratford	D32/31
6,615,444	B2	*	9/2003	McGill et al.	15/352
D481,844	S	*	11/2003	Greene et al.	D32/30
D483,535	S	*	12/2003	Leyden et al.	D32/30
D522,701	S	*	6/2006	Scheifele et al.	D32/25
D589,219	S	*	3/2009	Knox et al.	D32/31
D608,963	S	*	1/2010	Reese et al.	D32/30
8,048,180	B2	*	11/2011	Oh et al.	55/337
8,404,034	B2	*	3/2013	Hwang et al.	96/417
D683,506	S	*	5/2013	Kim	D32/31
8,728,186	B2	*	5/2014	Kim et al.	55/337

* cited by examiner

Primary Examiner — Ruth McInroy

(74) *Attorney, Agent, or Firm* — Cantor Colburn LLP

(57) **CLAIM**
We claim, the ornamental design for a water tank for cleaner,
as shown and described.

DESCRIPTION
FIG. 1 is a perspective view of a water tank for cleaner,
showing our new design;
FIG. 2 is a front elevation view thereof;
FIG. 3 is a rear elevation view thereof;
FIG. 4 is a side elevation view thereof;
FIG. 5 is a side elevation view opposite FIG. 4;
FIG. 6 is a top plan view thereof;
FIG. 7 is a bottom plan view thereof; and,
FIG. 8 is a perspective view thereof, showing the water tank
in its environment.
The broken lines are for environmental purposes only and
form no part of the claimed design.

1 Claim, 8 Drawing Sheets

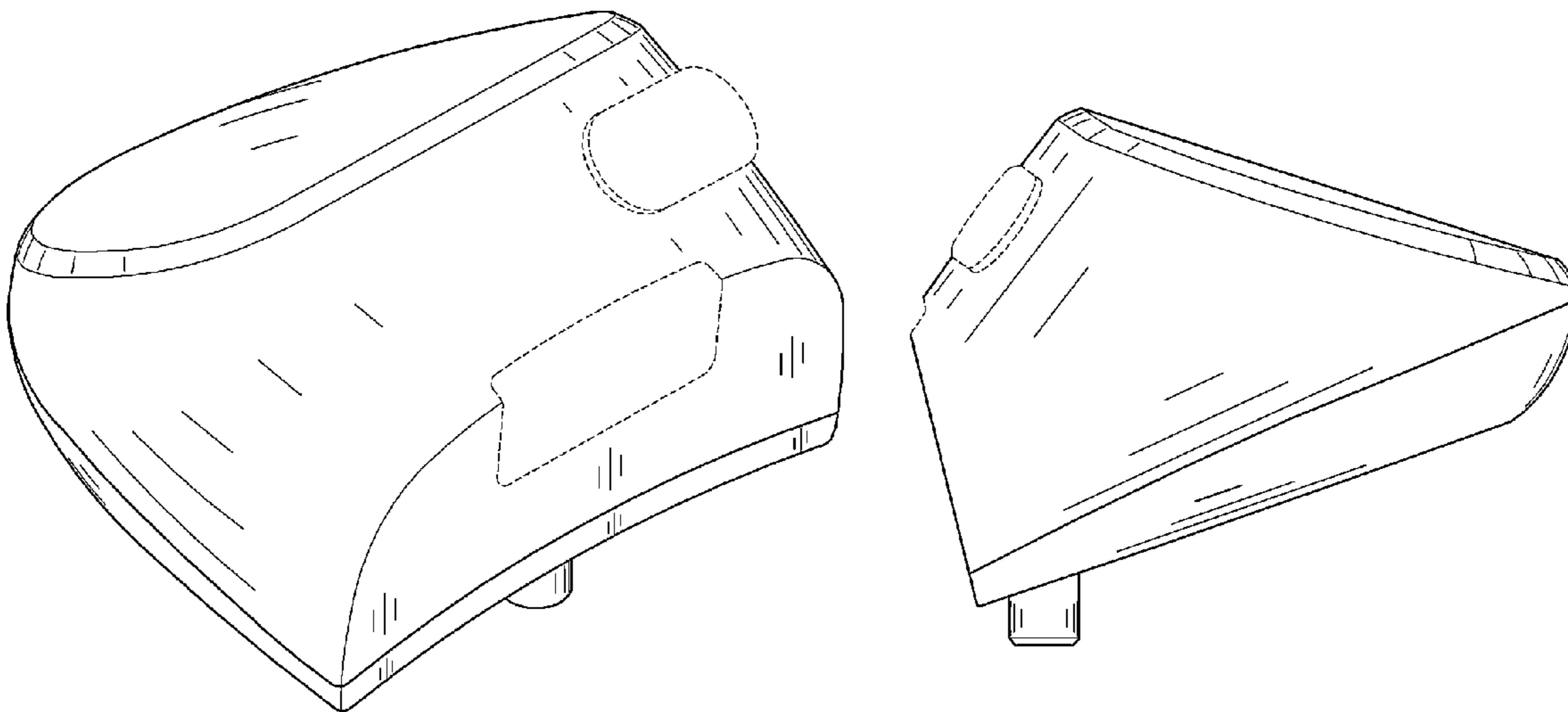


FIG. 1

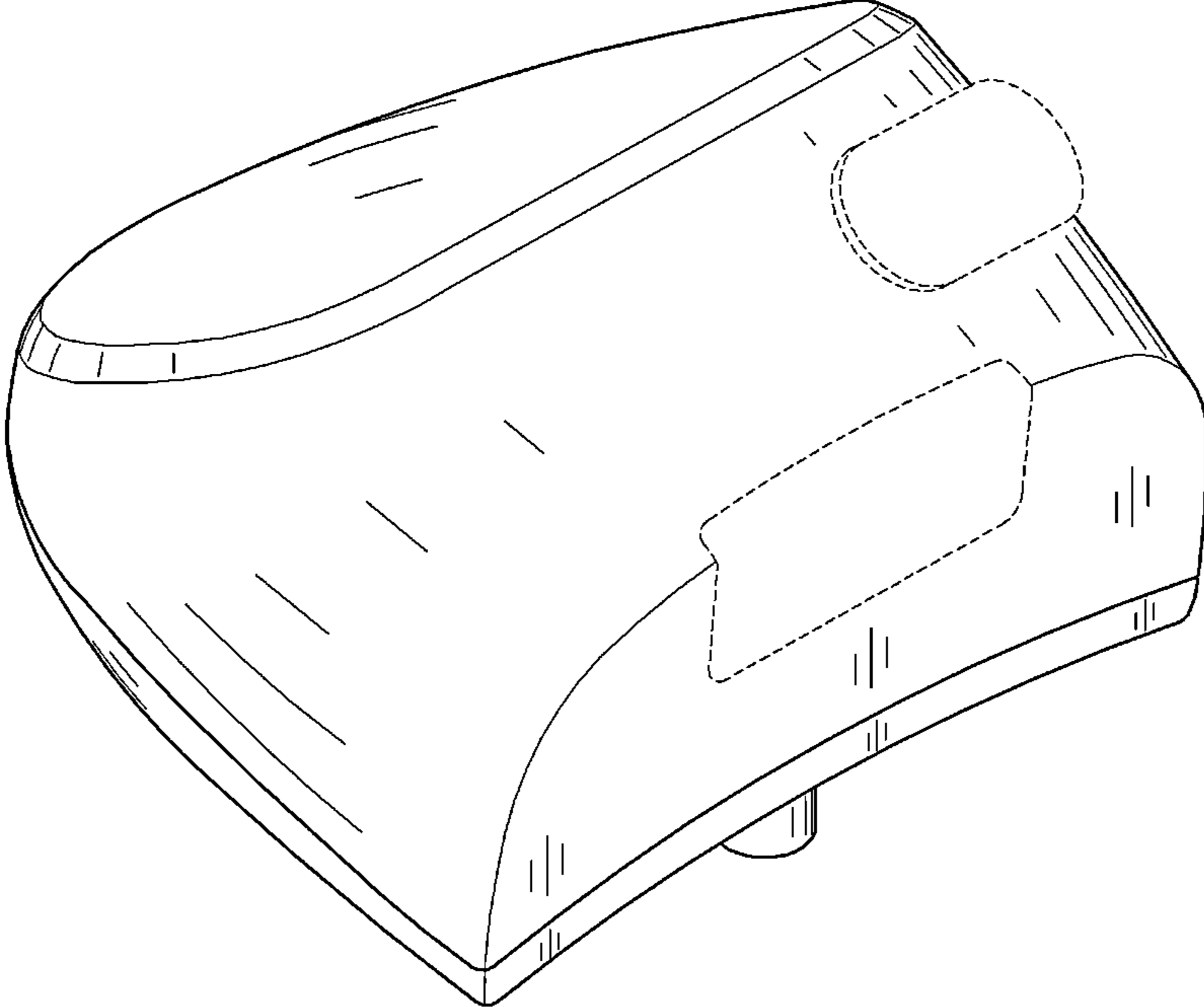


FIG. 2

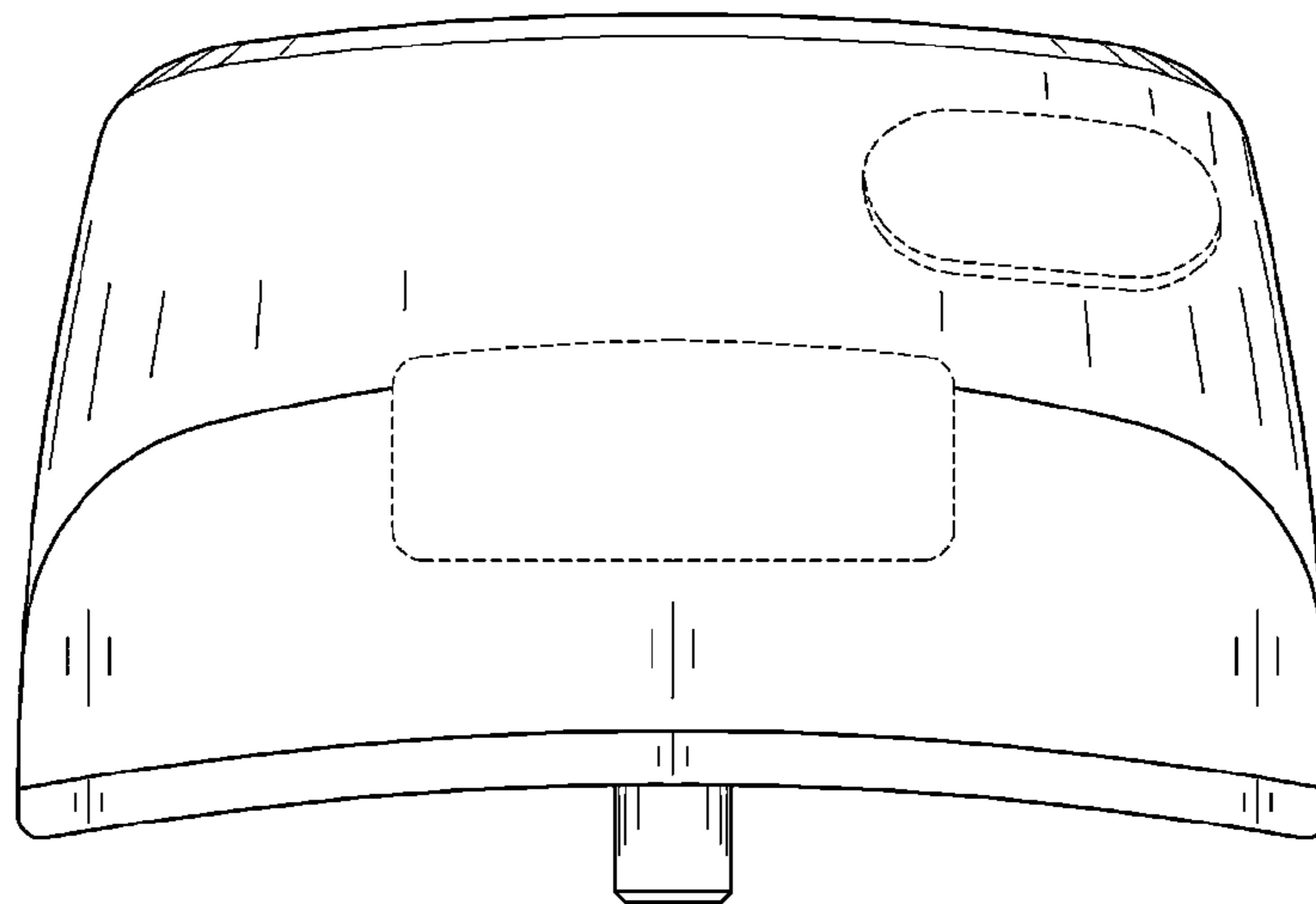


FIG. 3

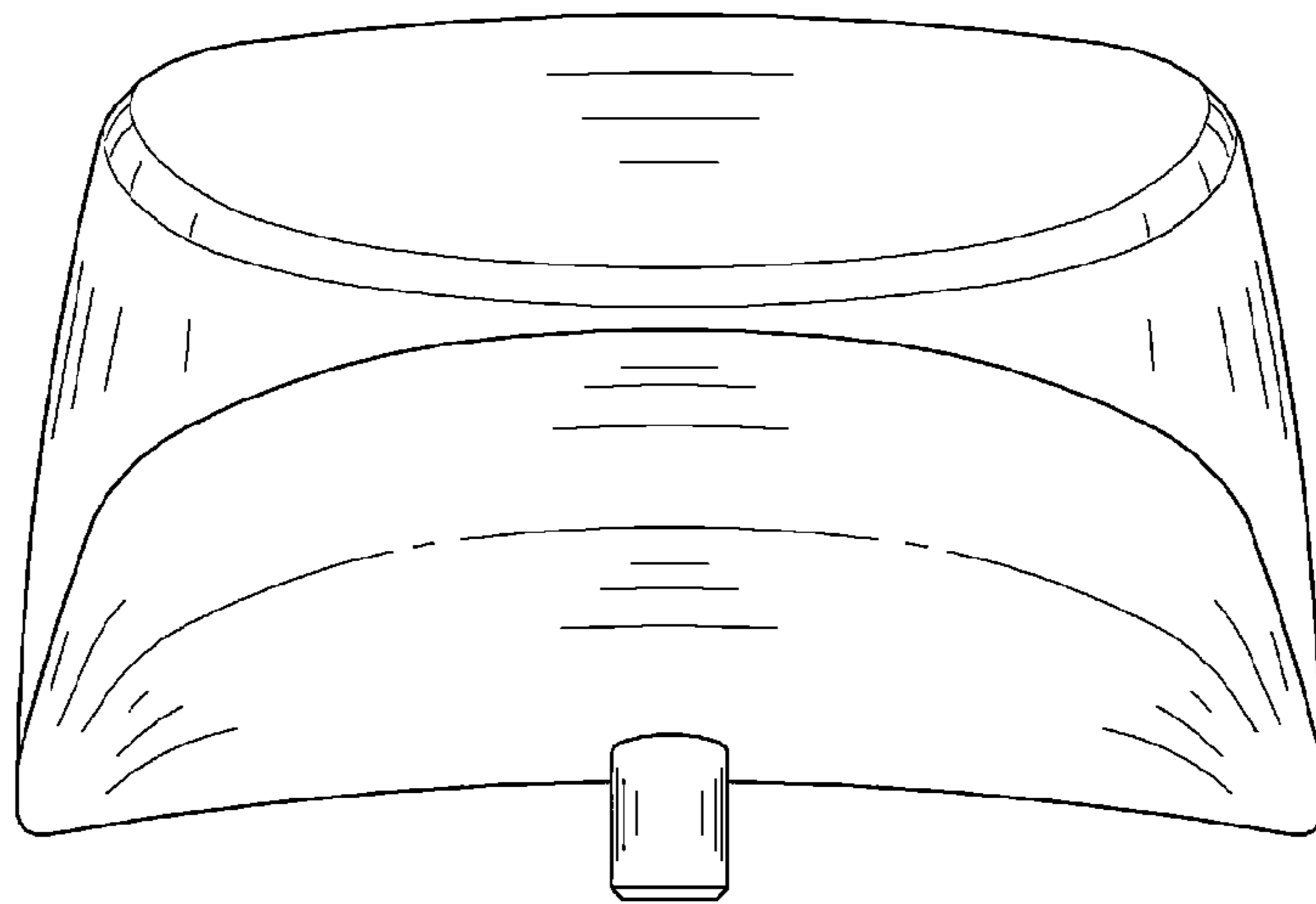


FIG. 4

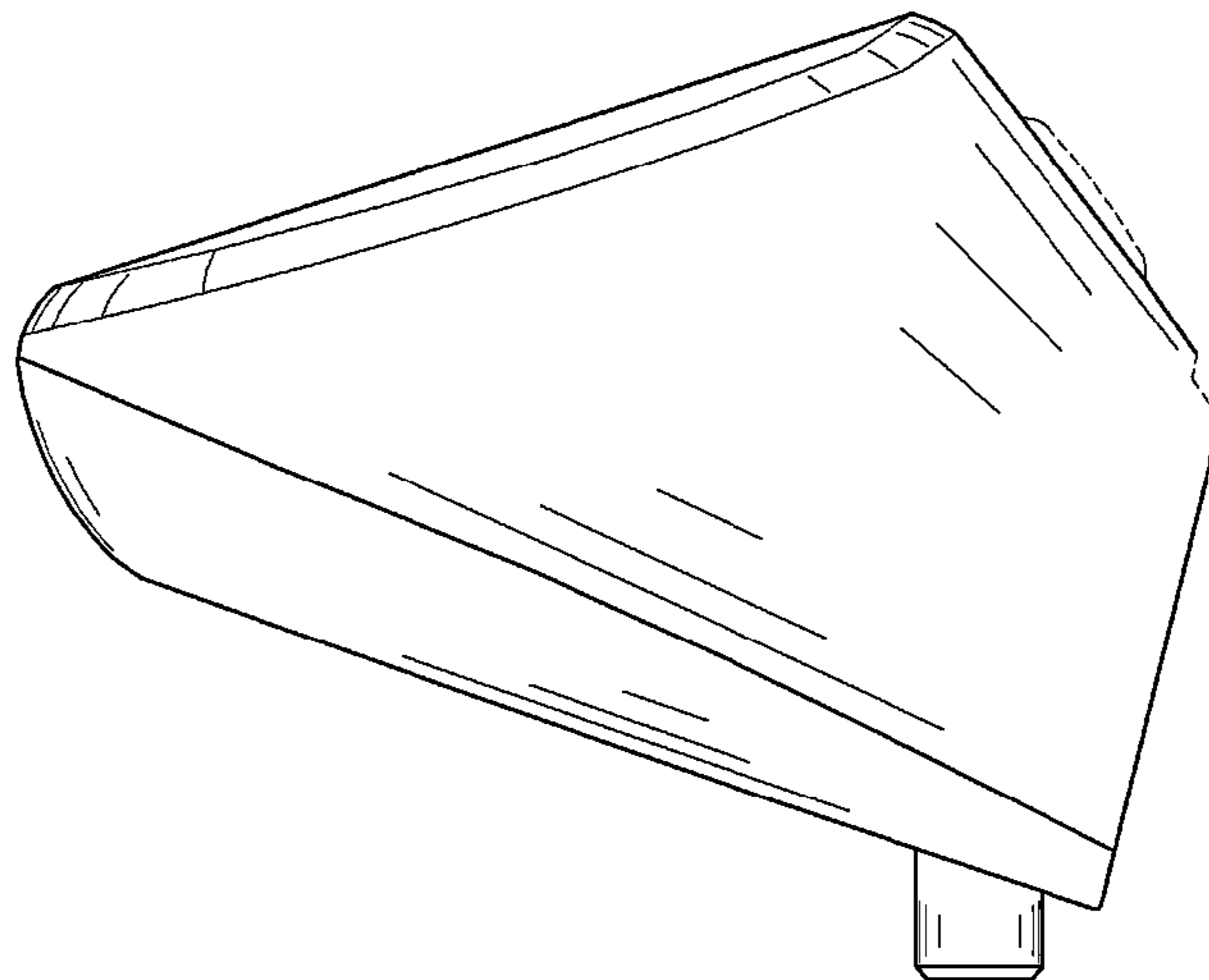


FIG. 5

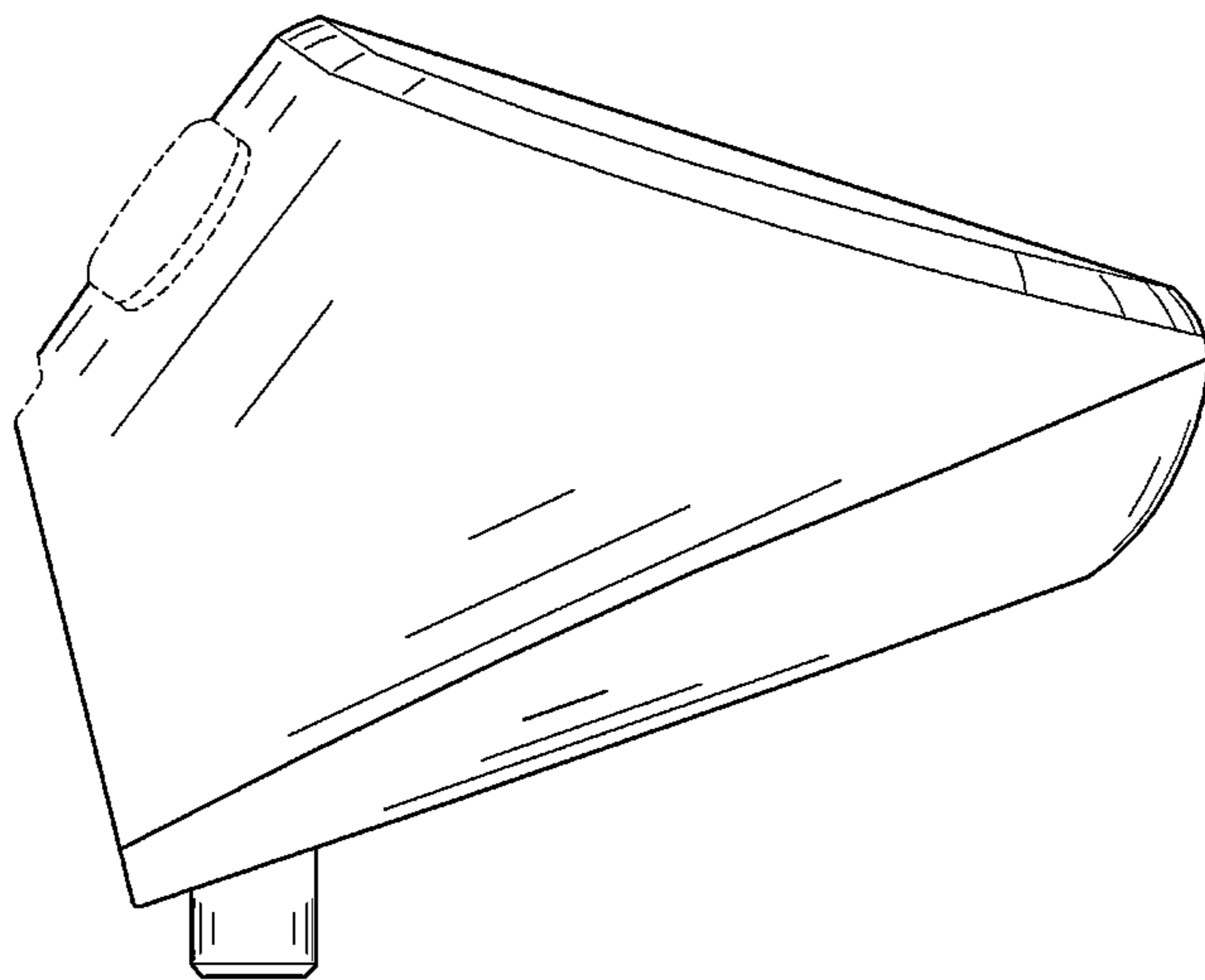


FIG. 6

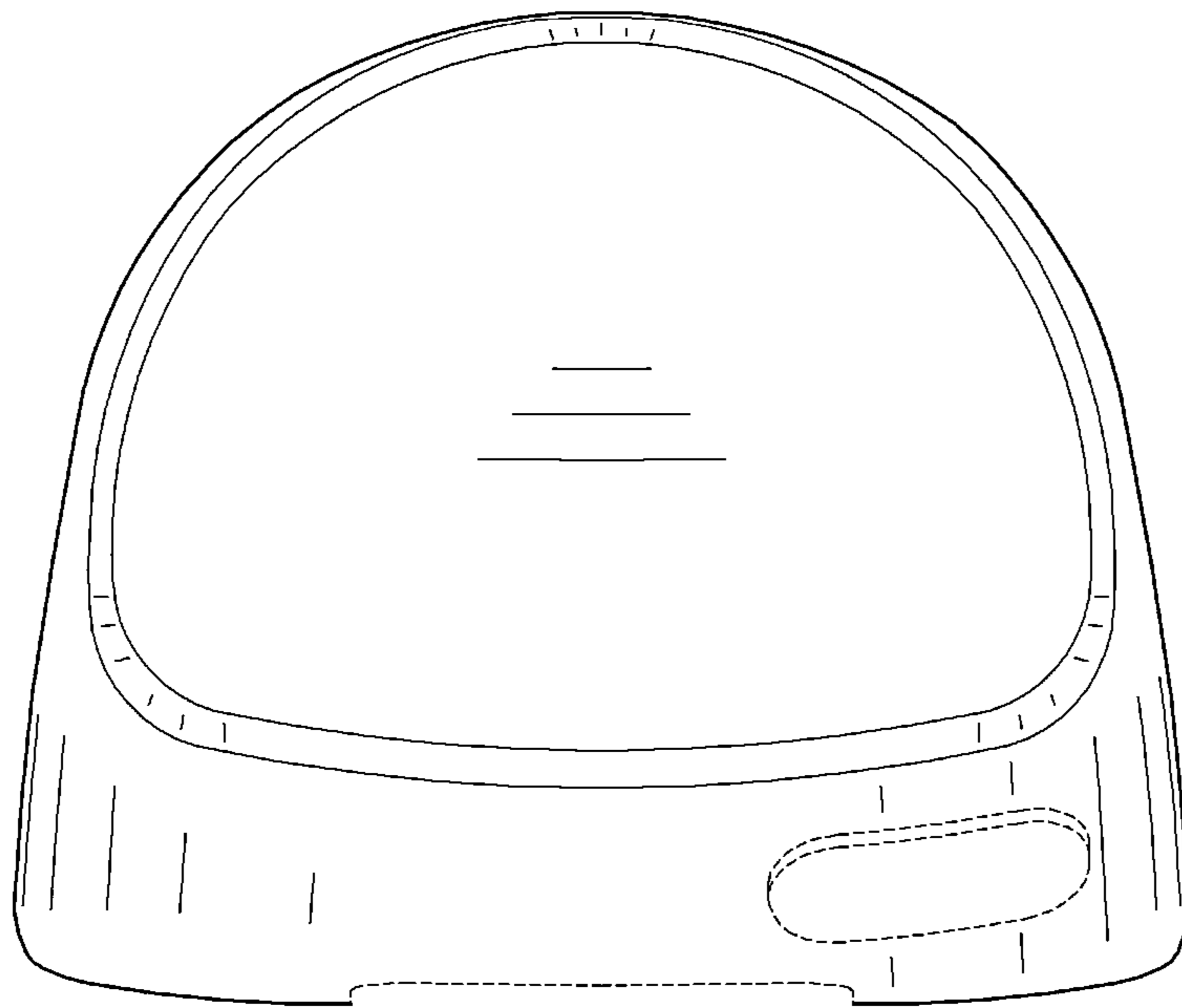


FIG. 7

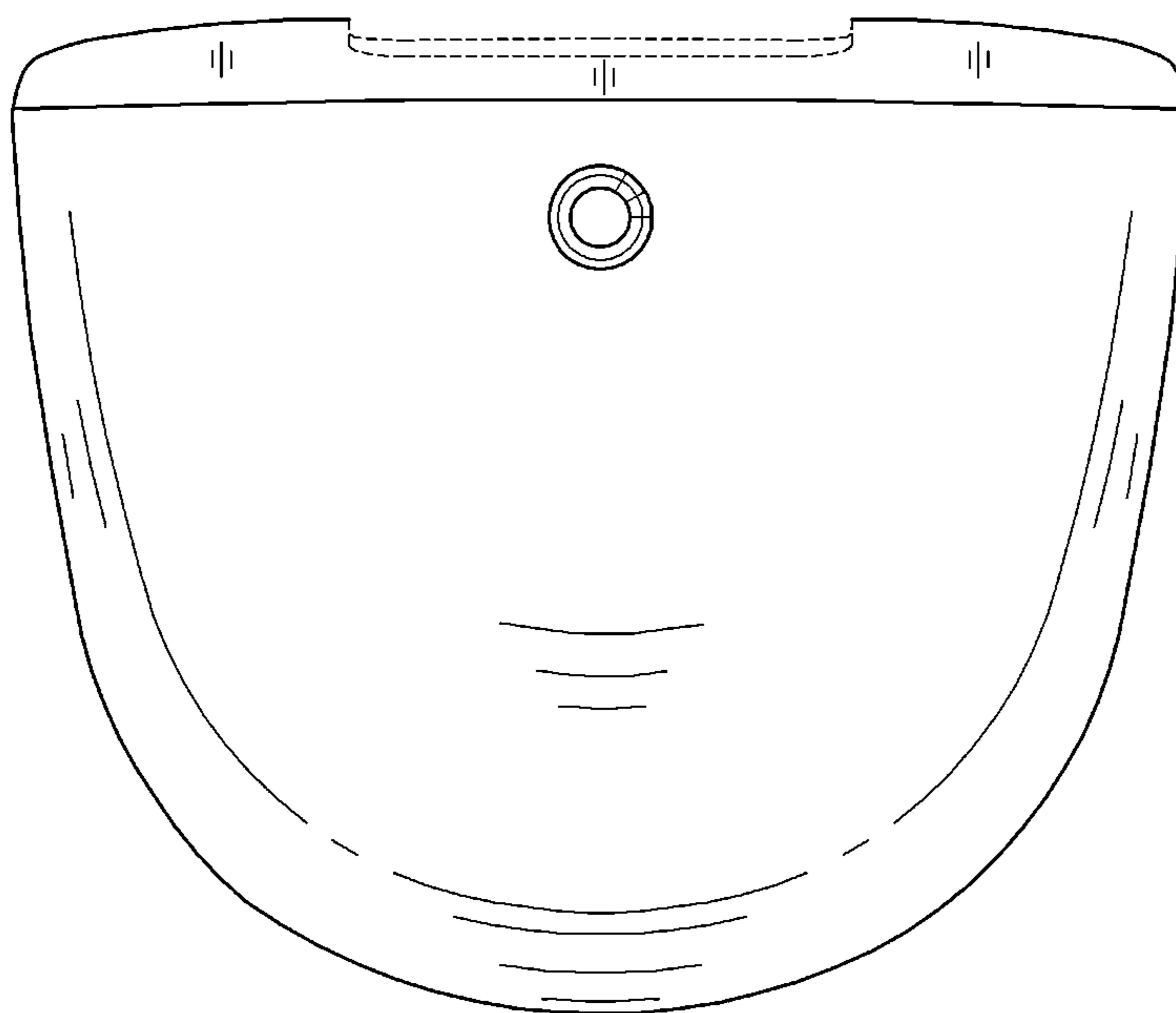


FIG. 8

