



US00D728178S

(12) **United States Design Patent**
Crawley

(10) **Patent No.:** **US D728,178 S**

(45) **Date of Patent:** **** Apr. 28, 2015**

(54) **CARTRIDGE FOR A STEAM CLEANING
SUBSTANCE**

(71) Applicant: **Black & Decker Inc.**, Newark (DE)

(72) Inventor: **Graeme Crawley**, Newcastle-upon-Tyne
(GB)

(73) Assignee: **Black & Decker Inc.**, Newark, DE (US)

(**) Term: **14 Years**

(21) Appl. No.: **29/478,470**

(22) Filed: **Jan. 6, 2014**

(30) **Foreign Application Priority Data**

Jul. 23, 2013 (EM) 001378723

(51) **LOC (10) Cl.** **15-05**

(52) **U.S. Cl.**
USPC **D32/25**

(58) **Field of Classification Search**

USPC D32/25, 69, 71, 73; 38/94, 96,
38/141-142; D23/209, 207, 365; 210/169,
210/416.2-416.3, 470

See application file for complete search history.

(56) **References Cited**

U.S. PATENT DOCUMENTS

D286,912 S * 11/1986 Andersen D24/224
D314,460 S * 2/1991 Paulin D32/71

D332,480 S * 1/1993 Sieren D23/207
D342,304 S * 12/1993 Kashani D23/207
D377,515 S * 1/1997 Hembree et al. D23/209
D397,764 S * 9/1998 Strand D23/209
D470,288 S * 2/2003 Bas D32/71
D578,179 S * 10/2008 Verdon D23/207
D584,867 S * 1/2009 Zach et al. D32/45
D601,238 S * 9/2009 Lundgren et al. D23/365
D635,233 S * 3/2011 Nelson et al. D23/365
D637,689 S * 5/2011 Hong D23/207
D646,369 S * 10/2011 Nelson et al. D23/365

* cited by examiner

Primary Examiner — T. Chase Nelson

Assistant Examiner — Michelle E Wilson

(74) *Attorney, Agent, or Firm* — John Yun

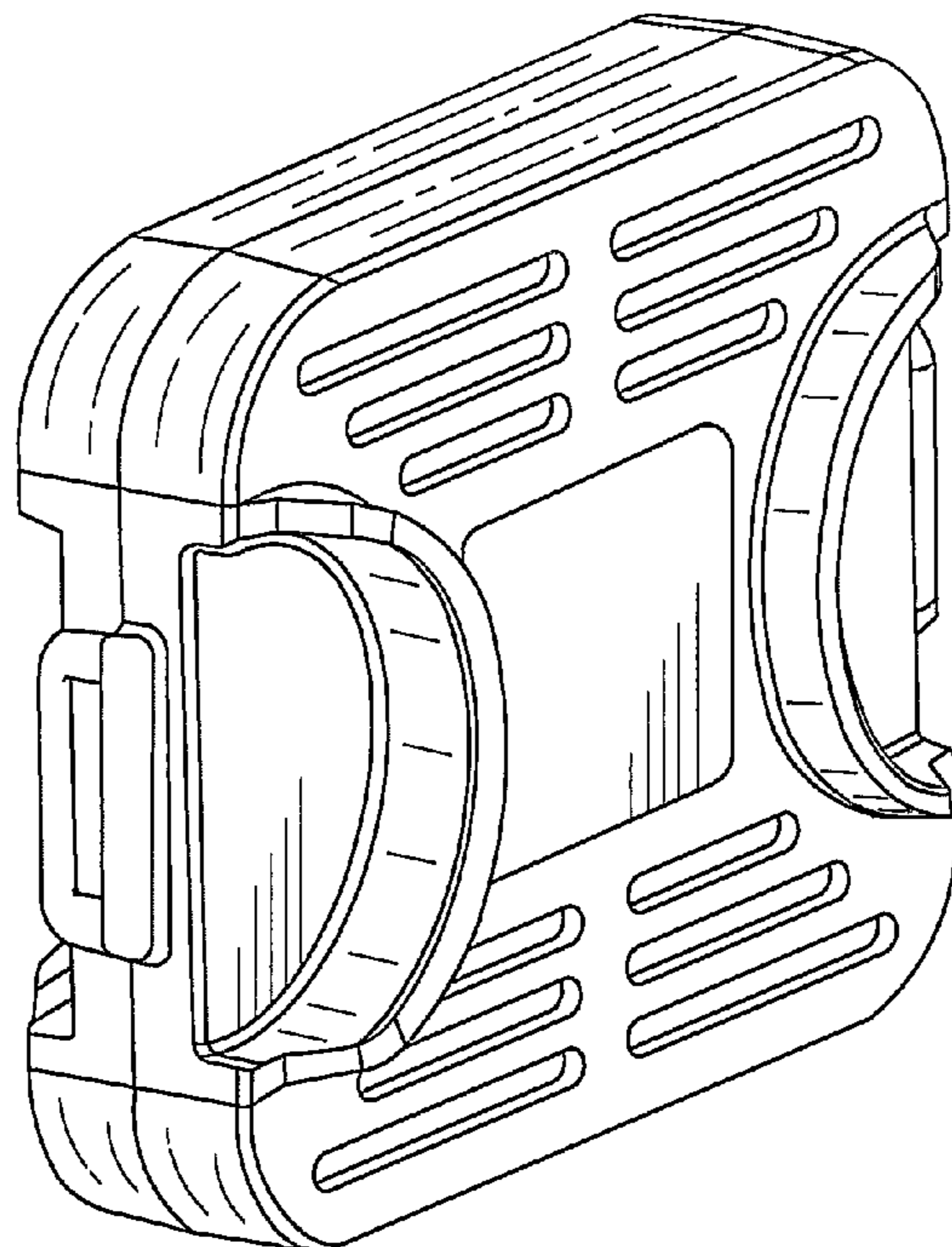
(57) **CLAIM**

The ornamental design for a cartridge for a steam cleaning substance, as shown and described.

DESCRIPTION

FIG. 1 is a perspective view of a cartridge for a steam cleaning substance showing my new design;
FIG. 2 is a right side view thereof
FIG. 3 is a left side view thereof;
FIG. 4 is a front view thereof;
FIG. 5 is a rear view thereof;
FIG. 6 is a top plan thereof; and,
FIG. 7 is a bottom plan view thereof.

1 Claim, 4 Drawing Sheets



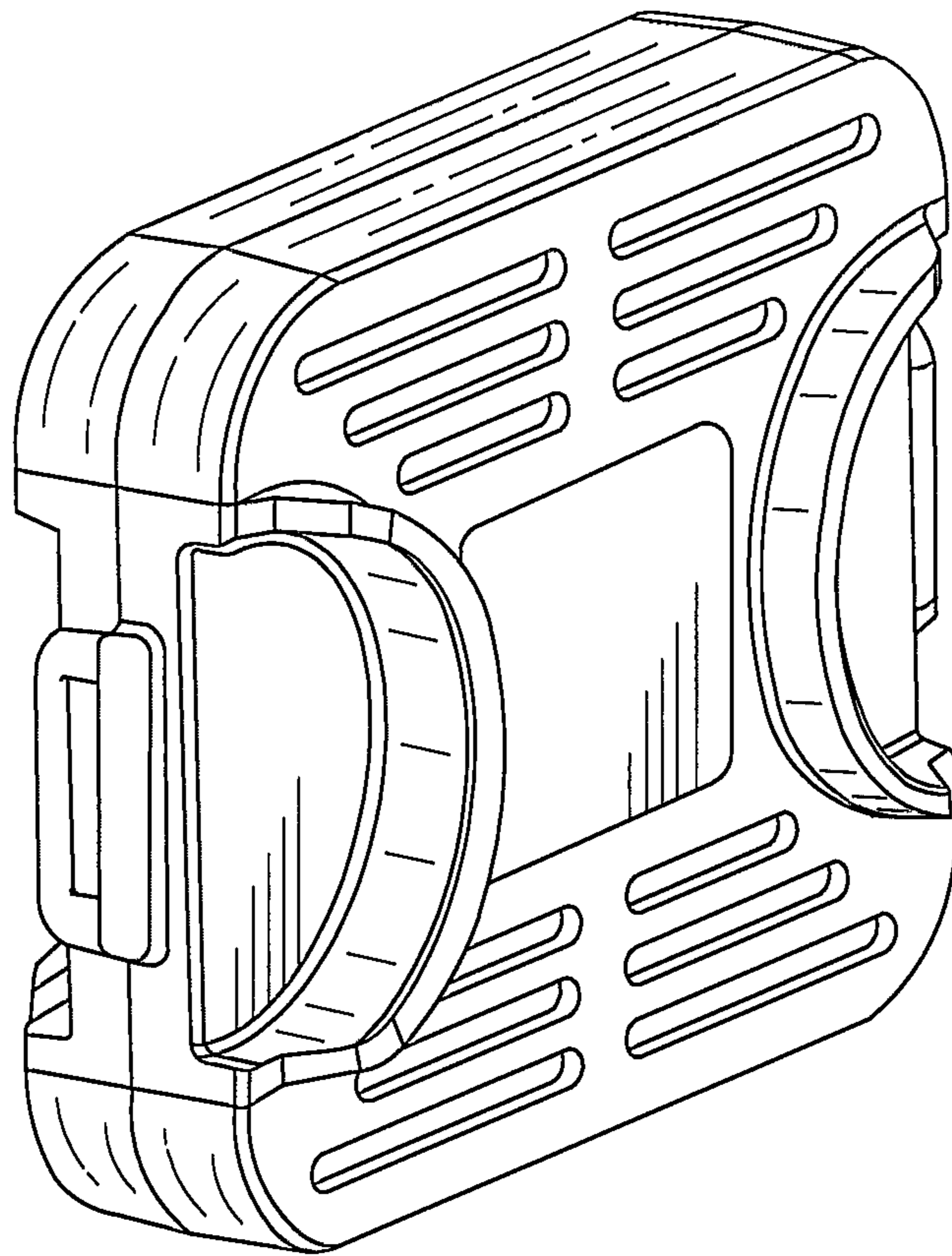


FIG.1

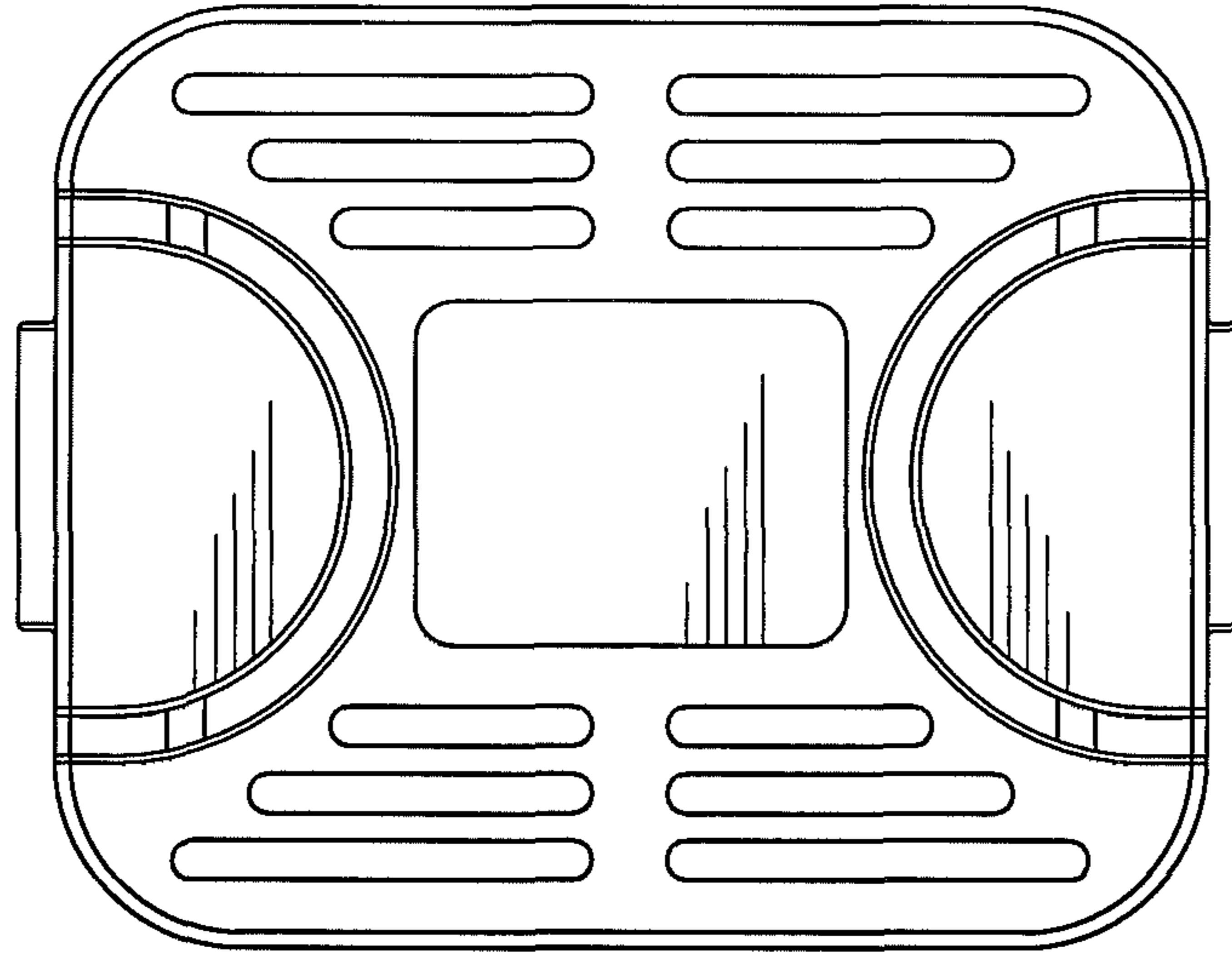


FIG.2

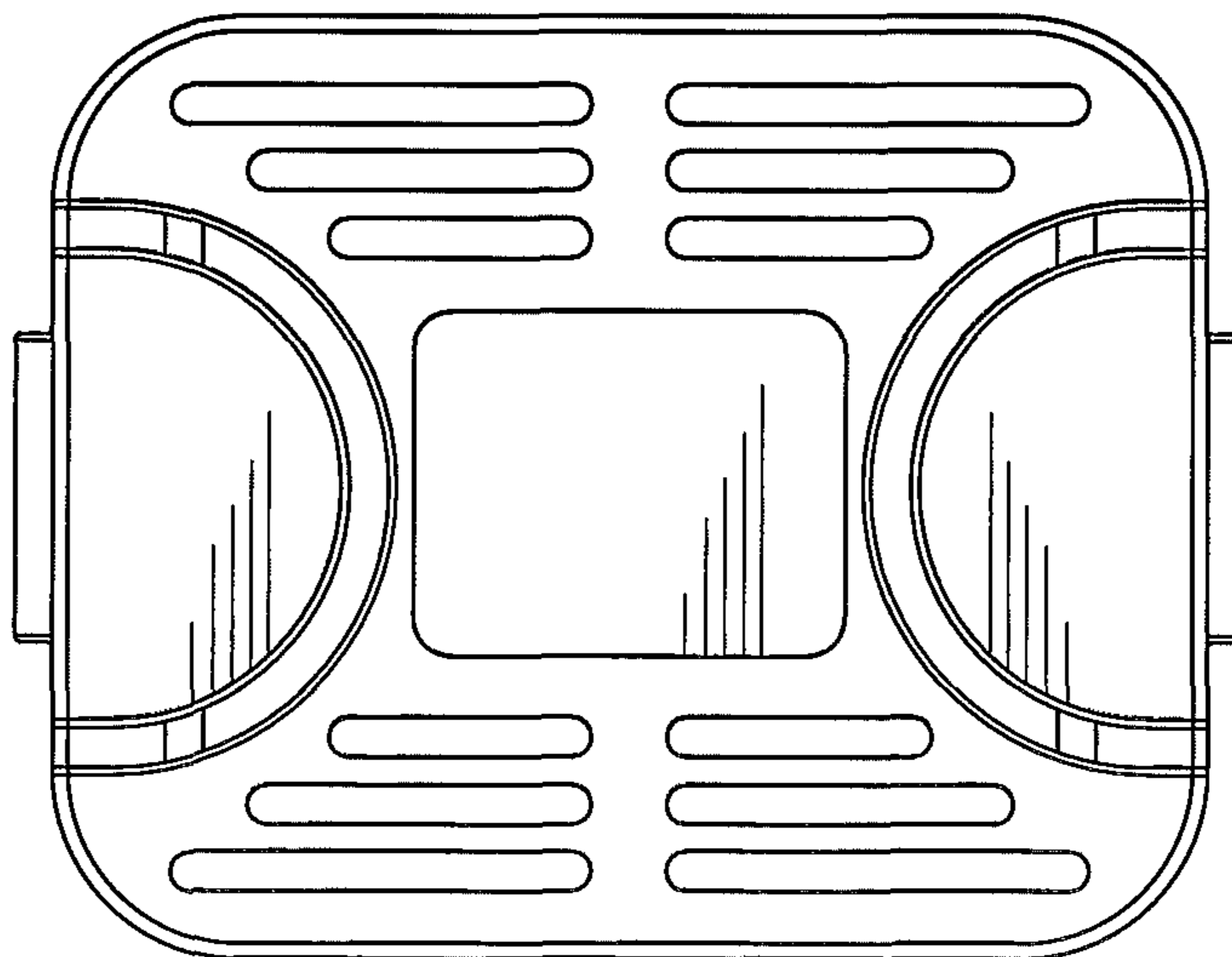


FIG.3

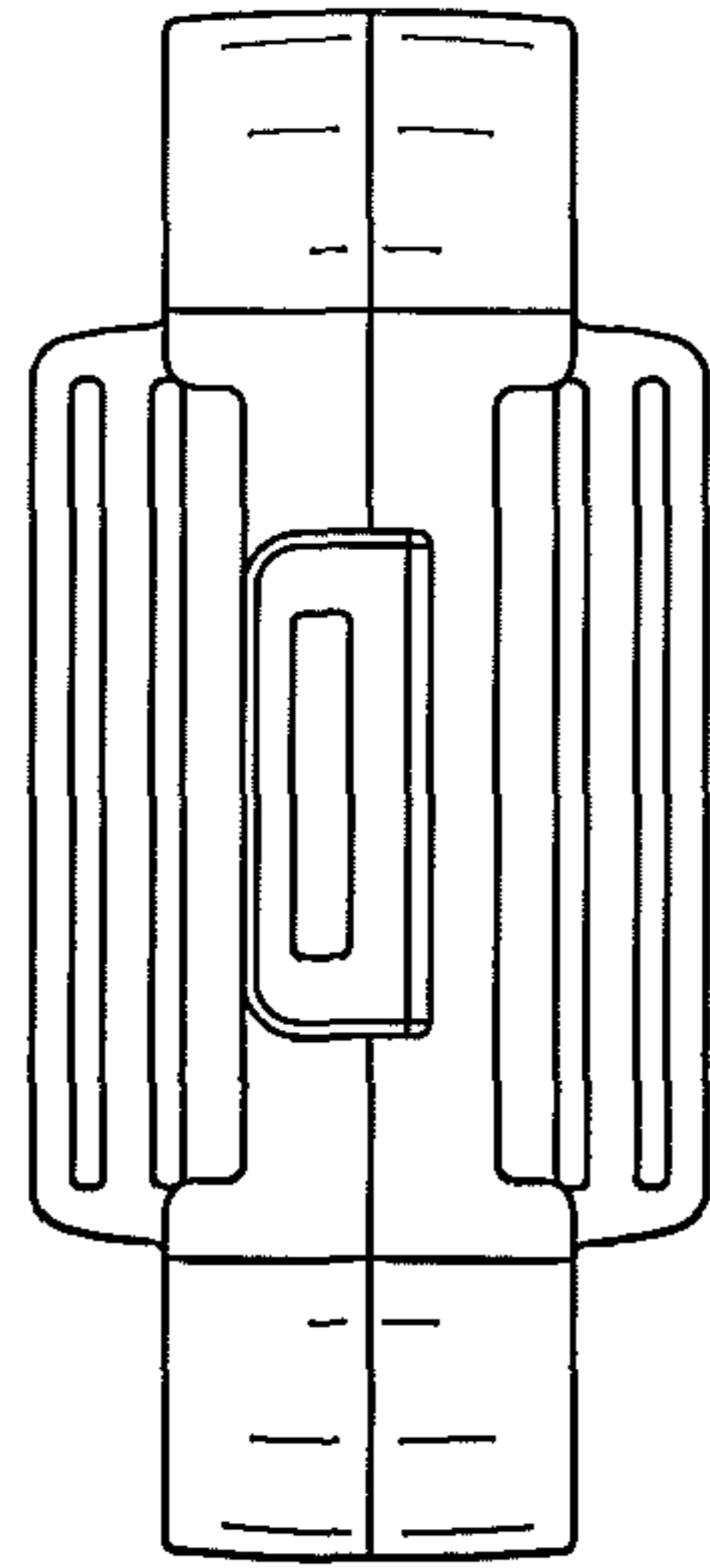


FIG.4

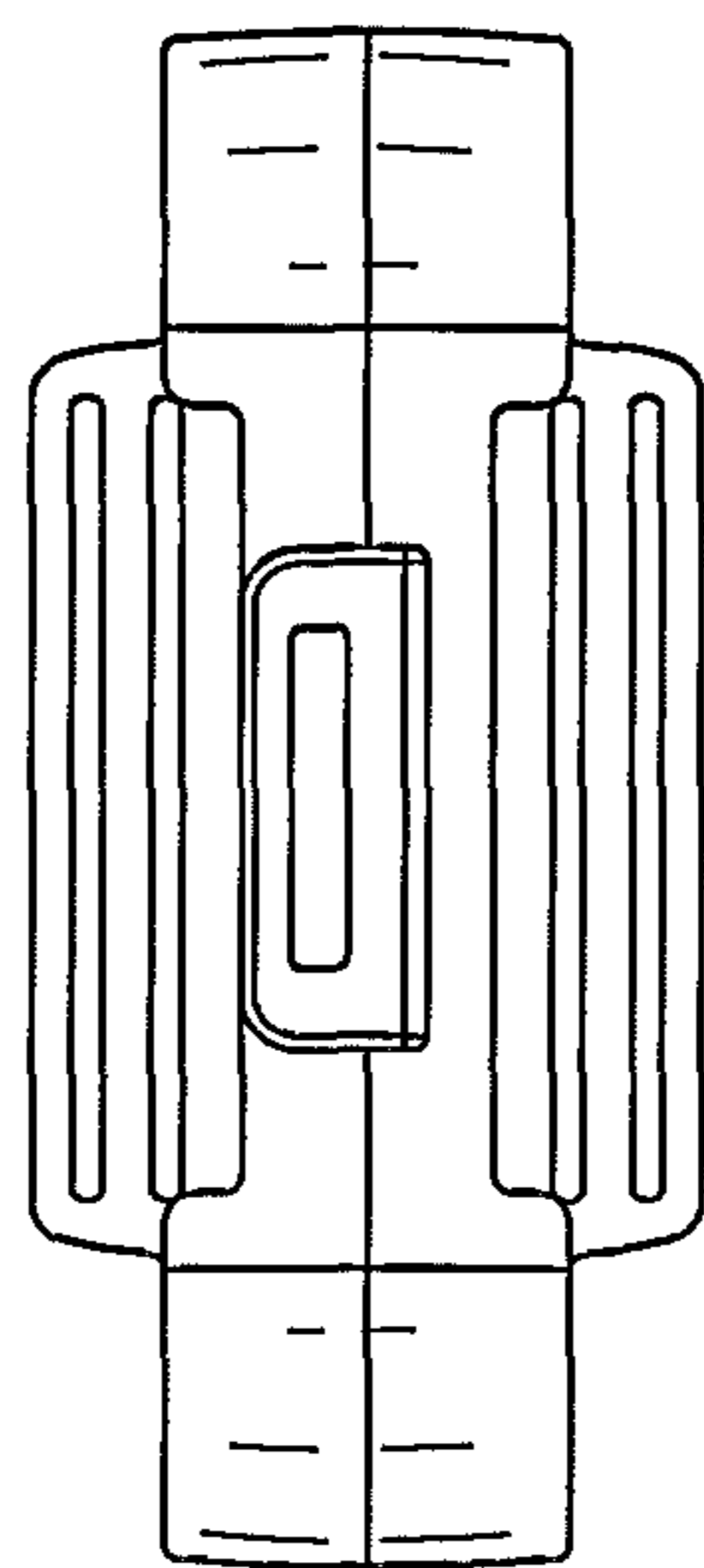


FIG.5

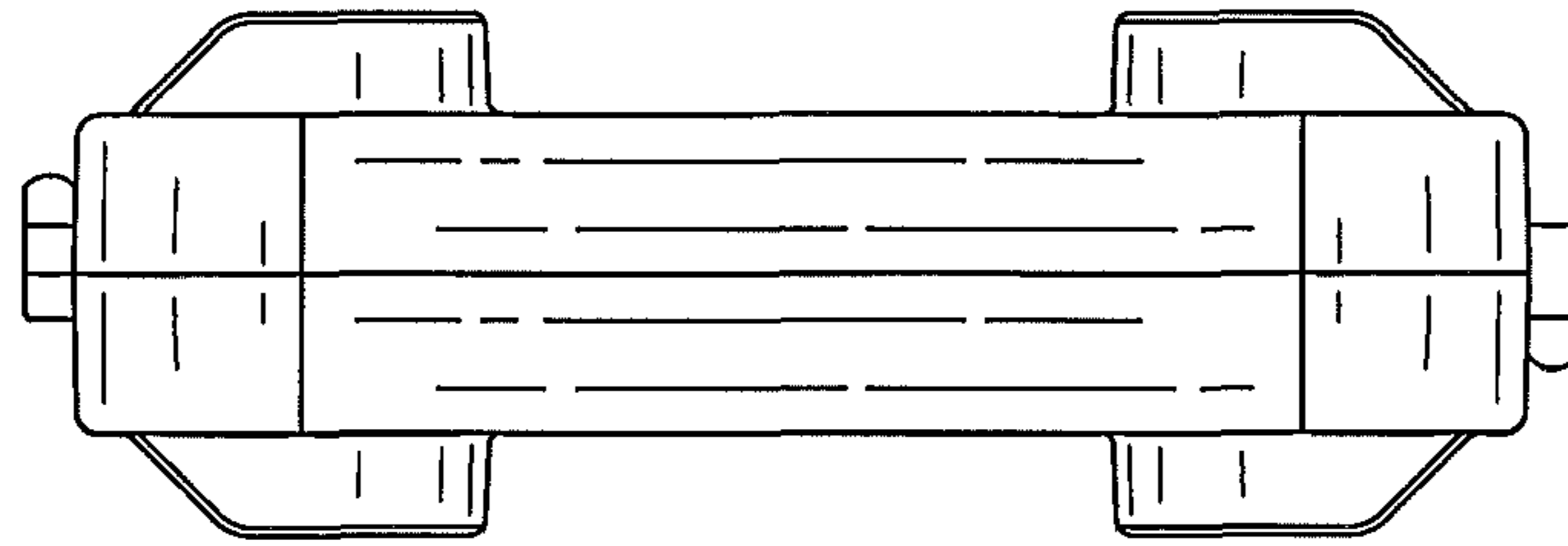


FIG.6

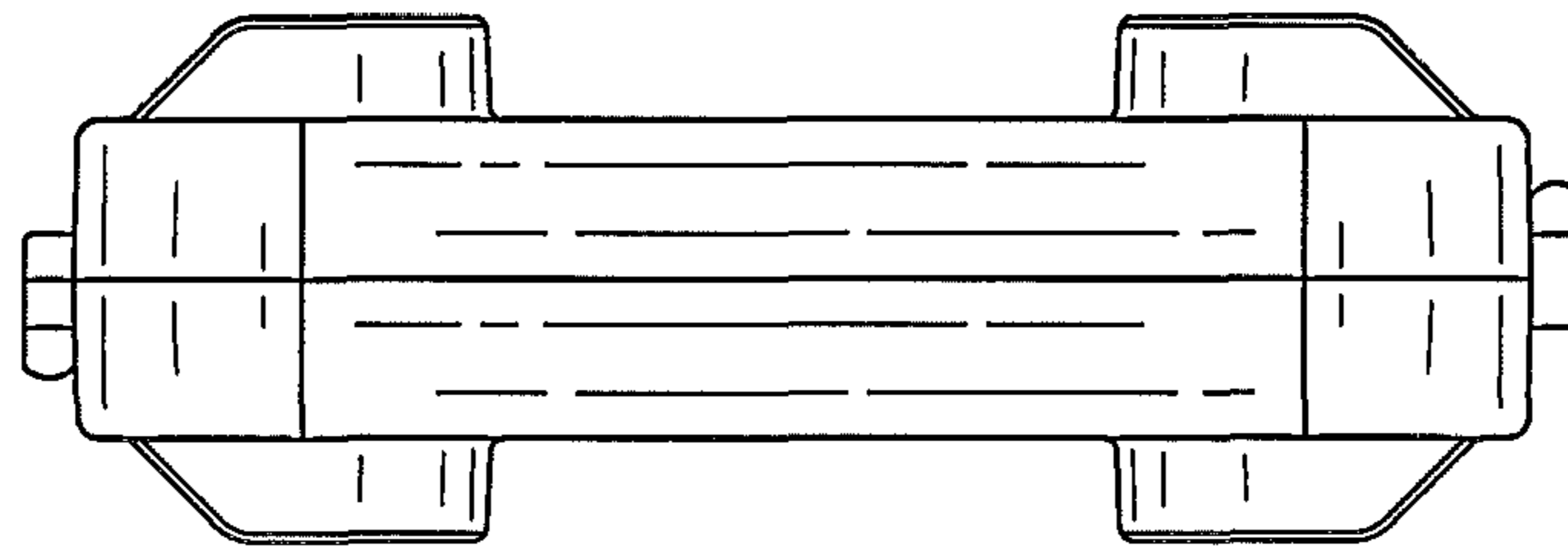


FIG.7