



US00D728175S

(12) **United States Design Patent**  
**Park et al.**

(10) **Patent No.:** **US D728,175 S**  
(45) **Date of Patent:** **\*\* Apr. 28, 2015**

(54) **VACUUM CLEANER**

(71) Applicant: **LG Electronics Inc.**, Seoul (KR)

(72) Inventors: **Sojin Park**, Seoul (KR); **Namhee Kim**,  
Seoul (KR); **Yonggyun Ghim**, Seoul  
(KR); **Hanjin Jung**, Gyeonggi-do (KR)

(73) Assignee: **LG Electronics Inc.**, Seoul (KR)

(\*\*) Term: **14 Years**

(21) Appl. No.: **29/483,974**

(22) Filed: **Mar. 5, 2014**

(30) **Foreign Application Priority Data**

Sep. 5, 2013 (KR) ..... 30-2013-0045959

(51) **LOC (10) Cl.** ..... **15-05**

(52) **U.S. Cl.**  
USPC ..... **D32/21**

(58) **Field of Classification Search**  
CPC ..... A47L 7/0038; A47L 5/36-5/367;  
A47L 5/24; A47L 5/14; A47L 5/28; A47L  
7/0019; A47L 7/0023; A47L 7/0004; A47L  
9/1666; A47L 9/1683; A47L 11/34; A47L  
11/4072; A47L 9/009; A47L 11/40  
USPC ..... D32/21, 23-24, 31  
See application file for complete search history.

(56) **References Cited**

U.S. PATENT DOCUMENTS

D382,679 S *	8/1997	Dyson .....	D32/21
D448,128 S *	9/2001	Oh .....	D32/21
D555,851 S *	11/2007	Shin et al. ....	D32/21
D555,852 S *	11/2007	Shin et al. ....	D32/21
D557,470 S *	12/2007	Choi et al. ....	D32/21
D582,109 S *	12/2008	Kim et al. ....	D32/21
D621,107 S *	8/2010	Kim et al. ....	D32/21

\* cited by examiner

*Primary Examiner* — Ruth McInroy

(74) *Attorney, Agent, or Firm* — Morgan, Lewis & Bockius  
LLP

(57) **CLAIM**

The ornamental design for a vacuum cleaner, as shown and  
described.

**DESCRIPTION**

FIG. 1 is a front, right side, perspective view of a vacuum  
cleaner showing our new design;  
FIG. 2 is a front view thereof;  
FIG. 3 is a rear view thereof;  
FIG. 4 is a left side view thereof;  
FIG. 5 is a right side view thereof;  
FIG. 6 is a top view thereof; and,  
FIG. 7 is a bottom view thereof.

The broken lines in the drawings indicate unclaimed portions  
of the vacuum cleaner that form no part of the claimed design.

**1 Claim, 7 Drawing Sheets**

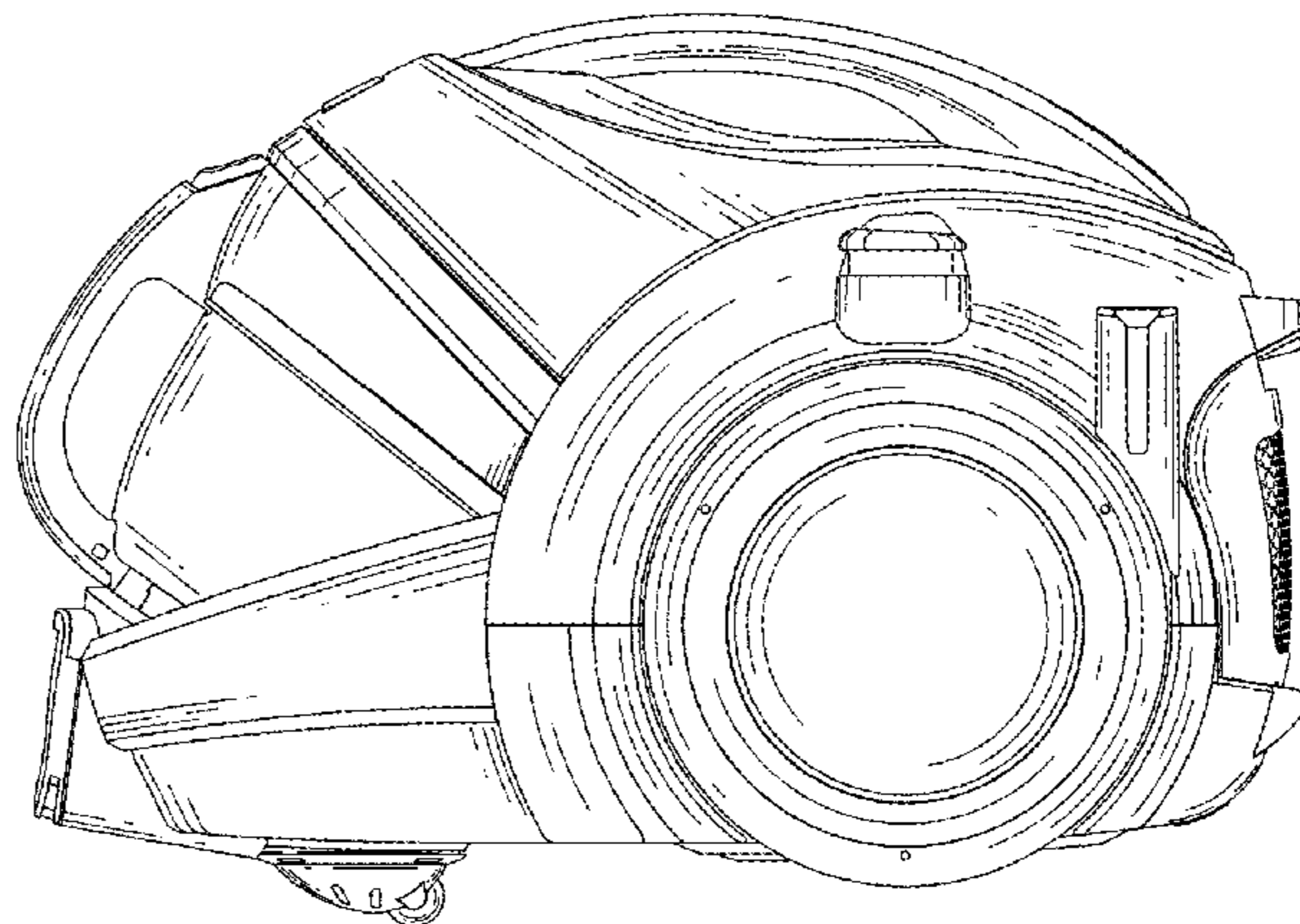
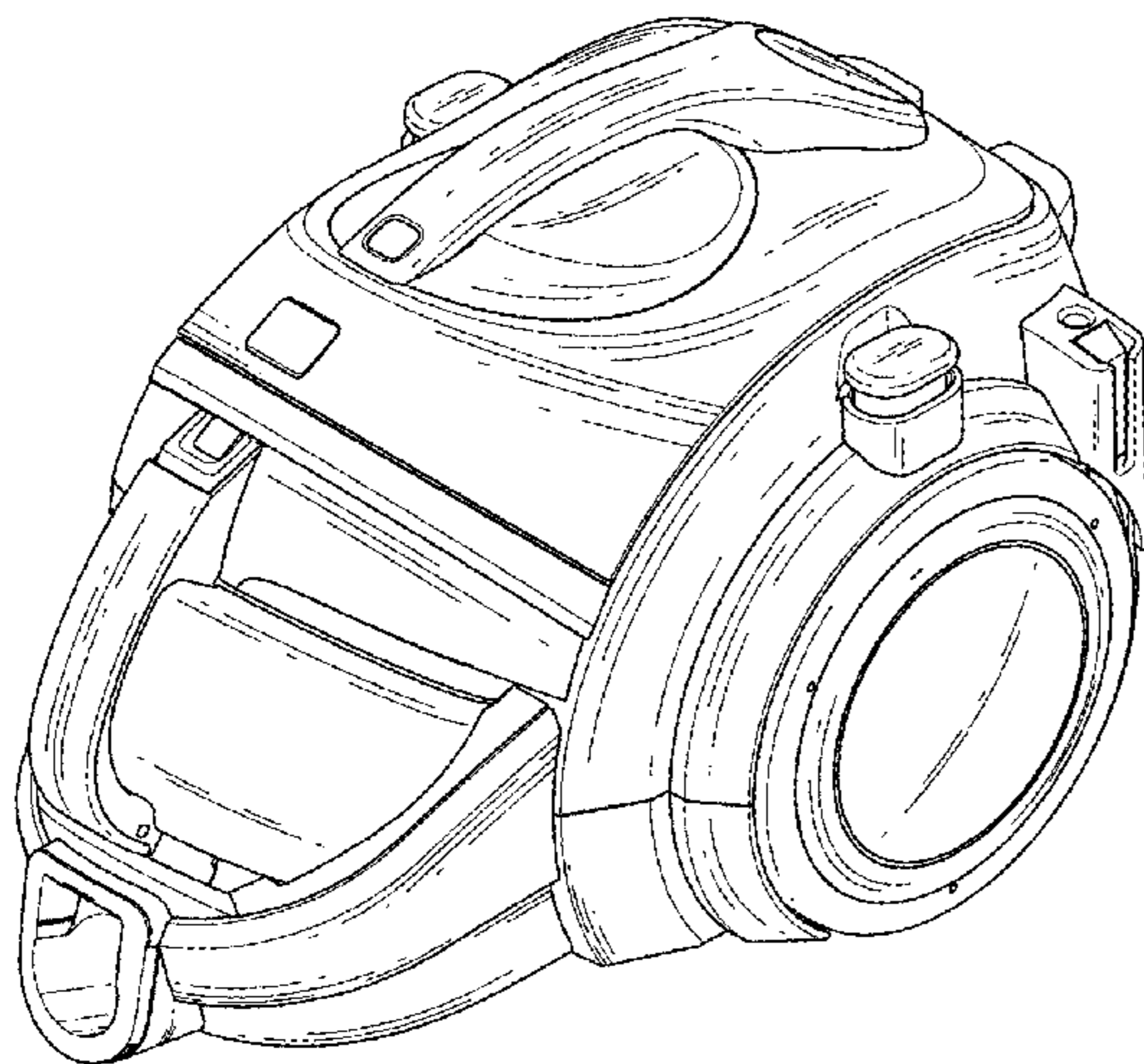


FIG. 1

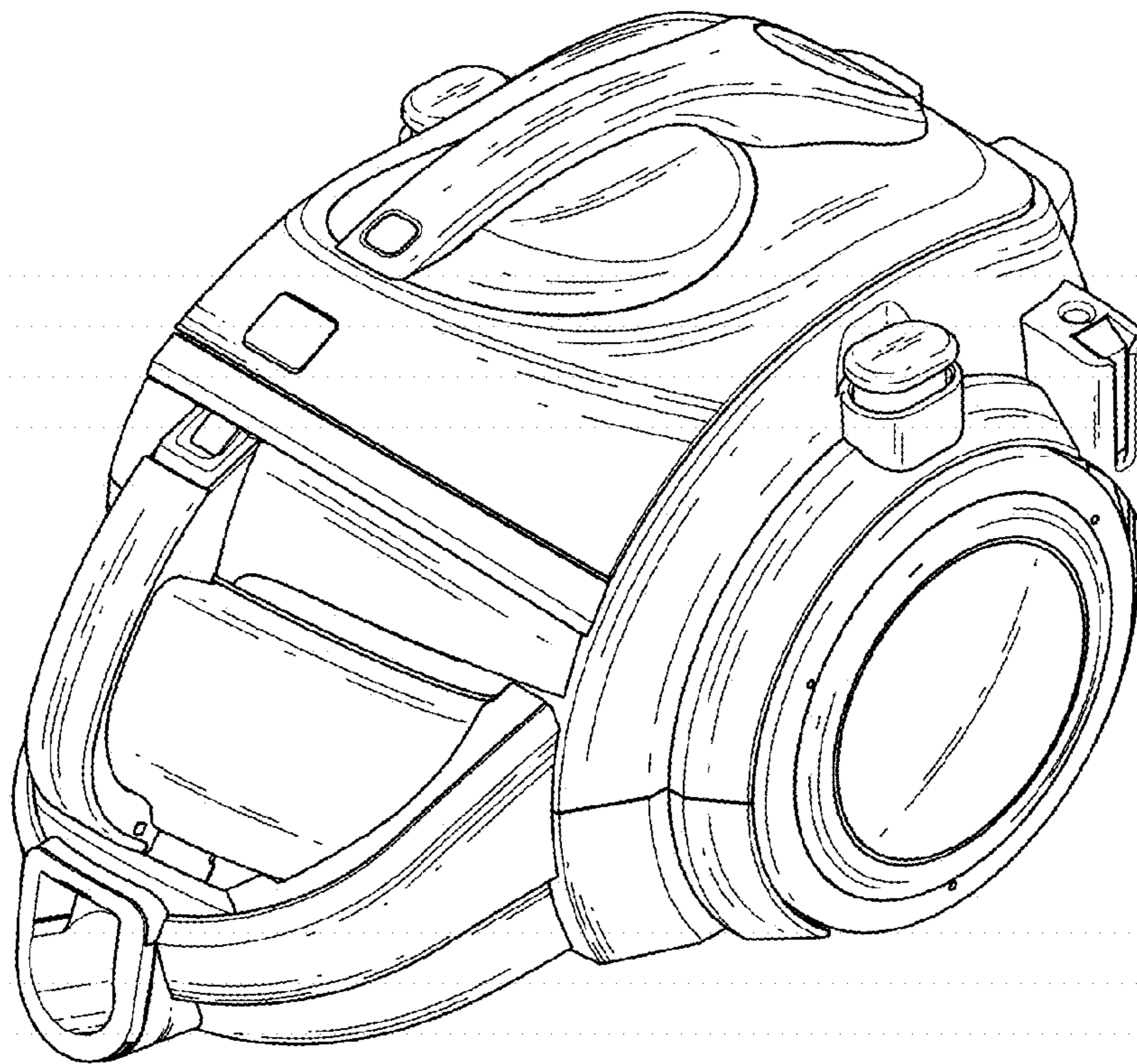


FIG. 2

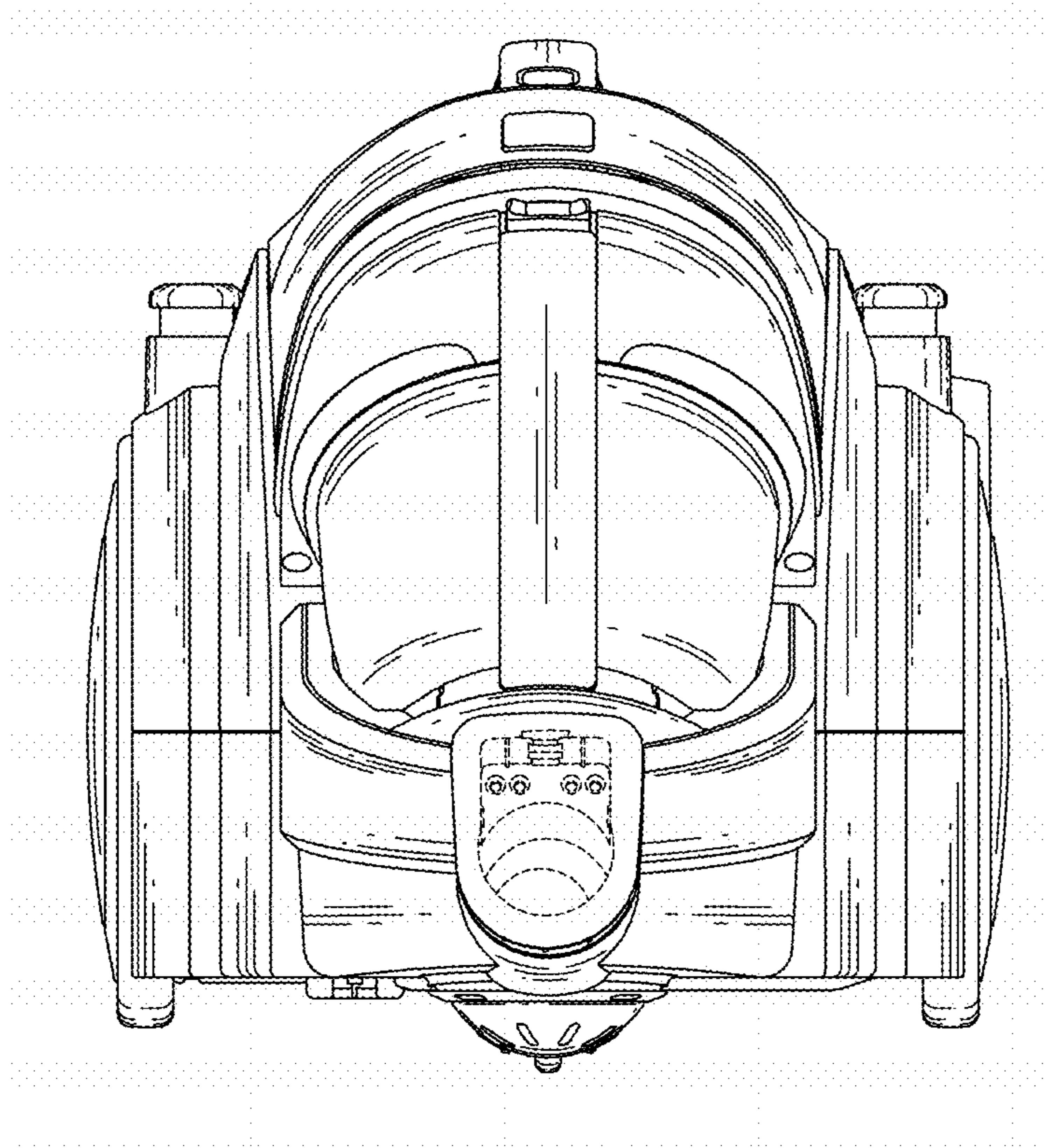




FIG. 3

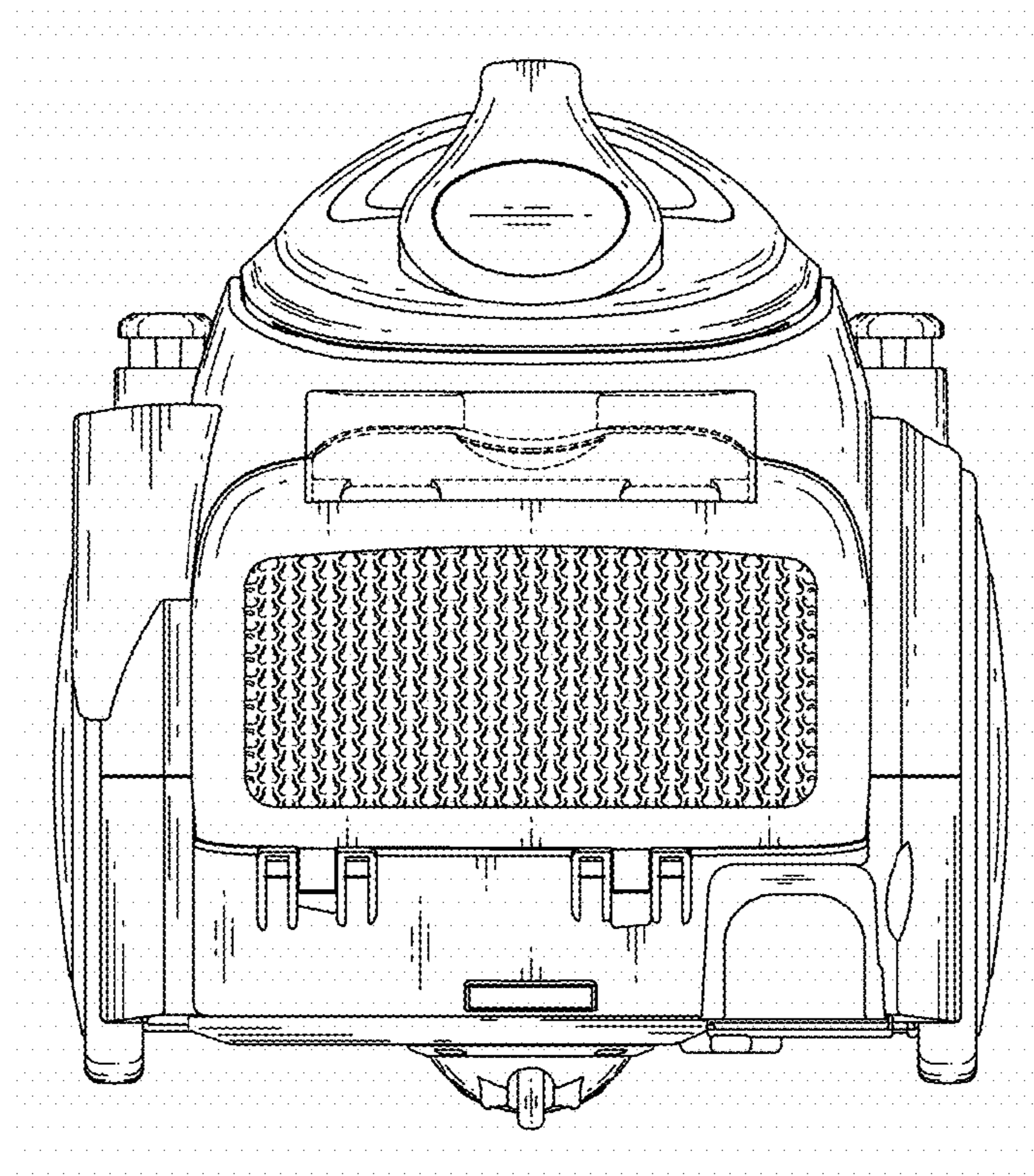


FIG. 4

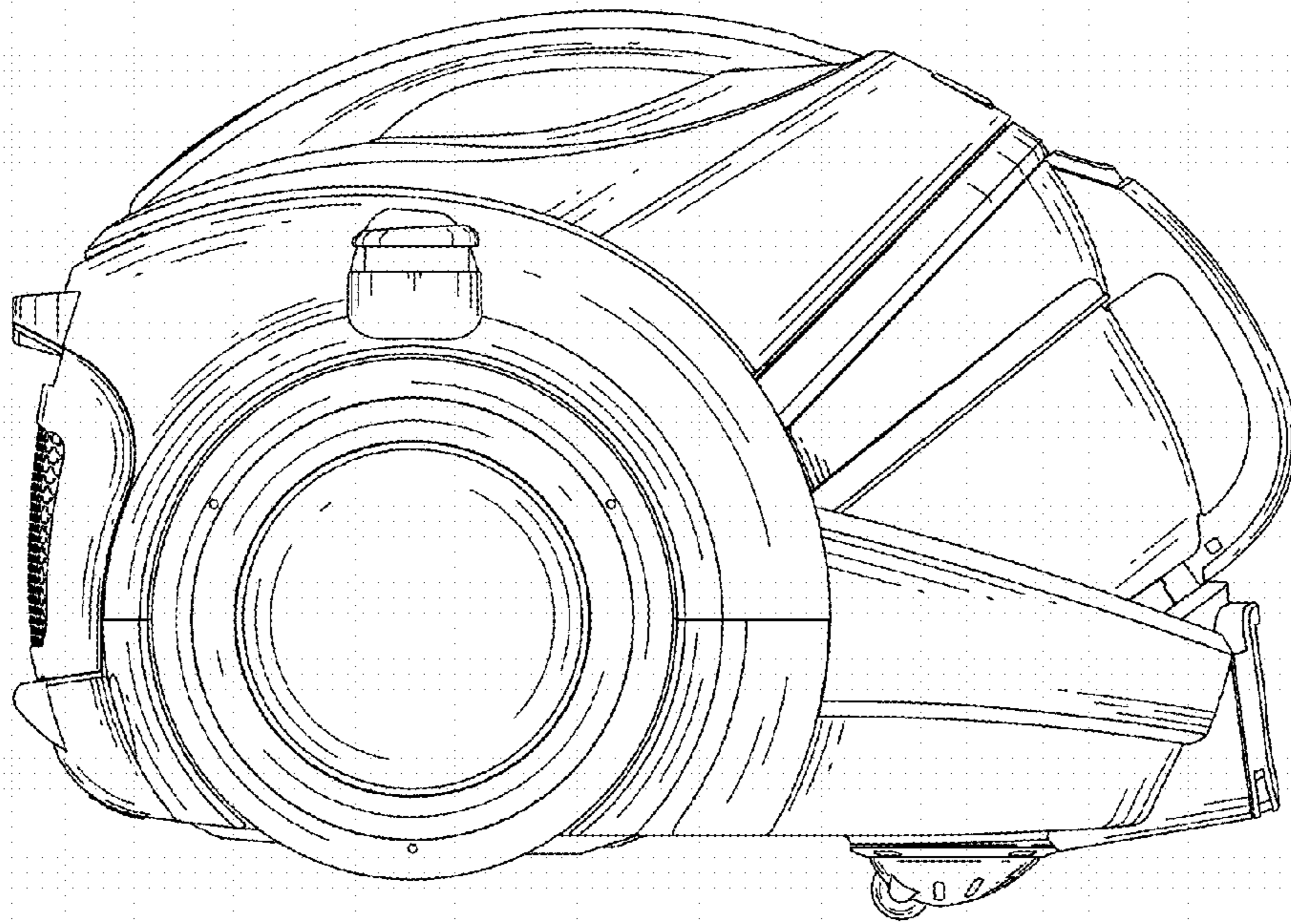


FIG. 5

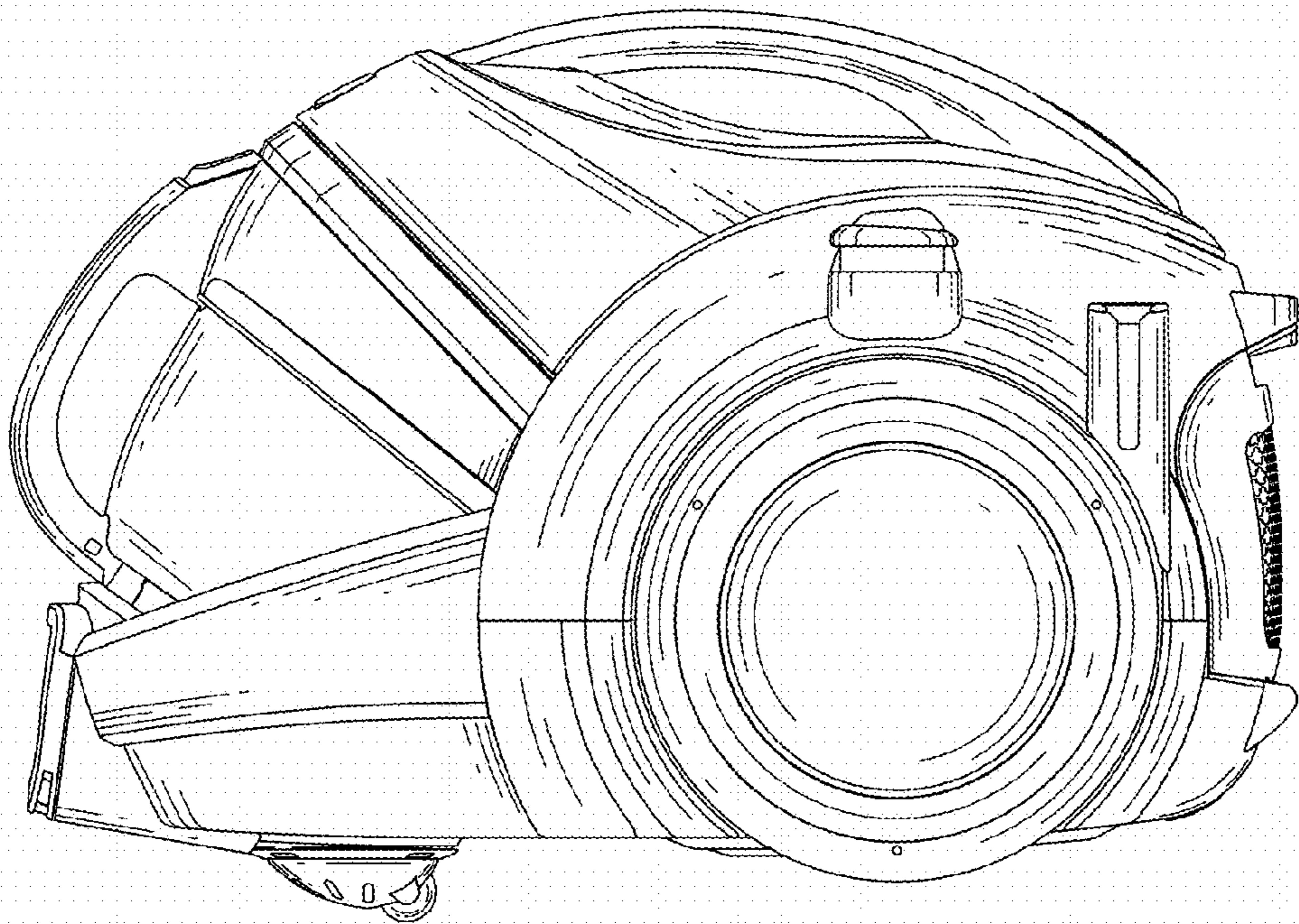


FIG. 6

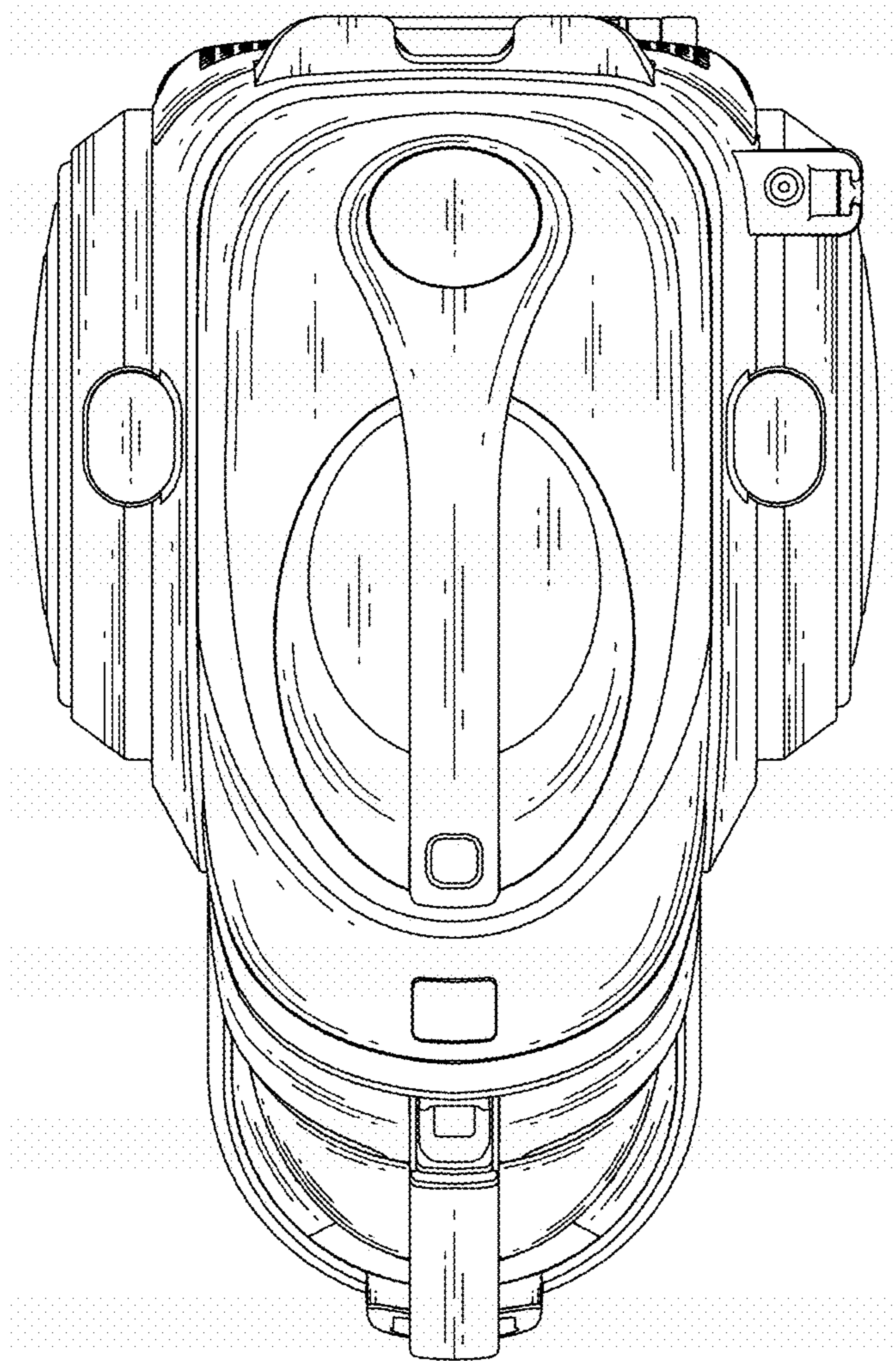




FIG. 7

