



US00D728173S

(12) **United States Design Patent**
Matsuo et al.

(10) **Patent No.:** **US D728,173 S**
(45) **Date of Patent:** **** Apr. 28, 2015**

- (54) **LITTER BOX FOR PETS**
- (75) Inventors: **Takayuki Matsuo**, Kanonji (JP);
Tatsuya Sogo, Kanonji (JP); **Daisuke Kaneda**, Toyama (JP)
- (73) Assignee: **Unicharm Corporation**, Ehime (JP)
- (**) Term: **14 Years**
- (21) Appl. No.: **29/410,975**
- (22) Filed: **Jan. 13, 2012**
- (30) **Foreign Application Priority Data**
Jul. 13, 2011 (JP) 2011-016156
- (51) **LOC (10) Cl.** **30-99**
- (52) **U.S. Cl.**
USPC **D30/161**
- (58) **Field of Classification Search**
USPC D30/108-112, 118, 161; 119/153,
119/495-501, 161-170
See application file for complete search history.
- (56) **References Cited**
U.S. PATENT DOCUMENTS
3,890,931 A * 6/1975 Saver 119/161
6,412,440 B2 * 7/2002 Kobayashi 119/161
6,925,961 B2 * 8/2005 Langdale 119/166
6,994,054 B2 * 2/2006 Matsuo et al. 119/166
7,131,396 B2 * 11/2006 Matsuo et al. 119/166
7,380,519 B2 * 6/2008 Ikegami et al. 119/167
D608,959 S * 1/2010 Kim D30/161

- D635,726 S * 4/2011 Lawson et al. D30/161
- D636,545 S * 4/2011 Lawson et al. D30/161
- D638,590 S * 5/2011 Lipscomb et al. D30/161
- D639,000 S * 5/2011 Weber D30/161
- D652,587 S * 1/2012 Matsuo et al. D30/161
- 8,181,601 B2 * 5/2012 Kratzer et al. 119/165
- 8,191,509 B2 * 6/2012 Fountain et al. 119/165
- 2009/0000558 A1 * 1/2009 Matsuo et al. 119/165
- 2009/0260578 A1 * 10/2009 Yamamoto et al. 119/166

* cited by examiner

Primary Examiner — Cathy A MacCormac

(74) *Attorney, Agent, or Firm* — Brinks Gilson & Lione

(57) **CLAIM**

The ornamental design for a litter box for pets, as shown and described.

DESCRIPTION

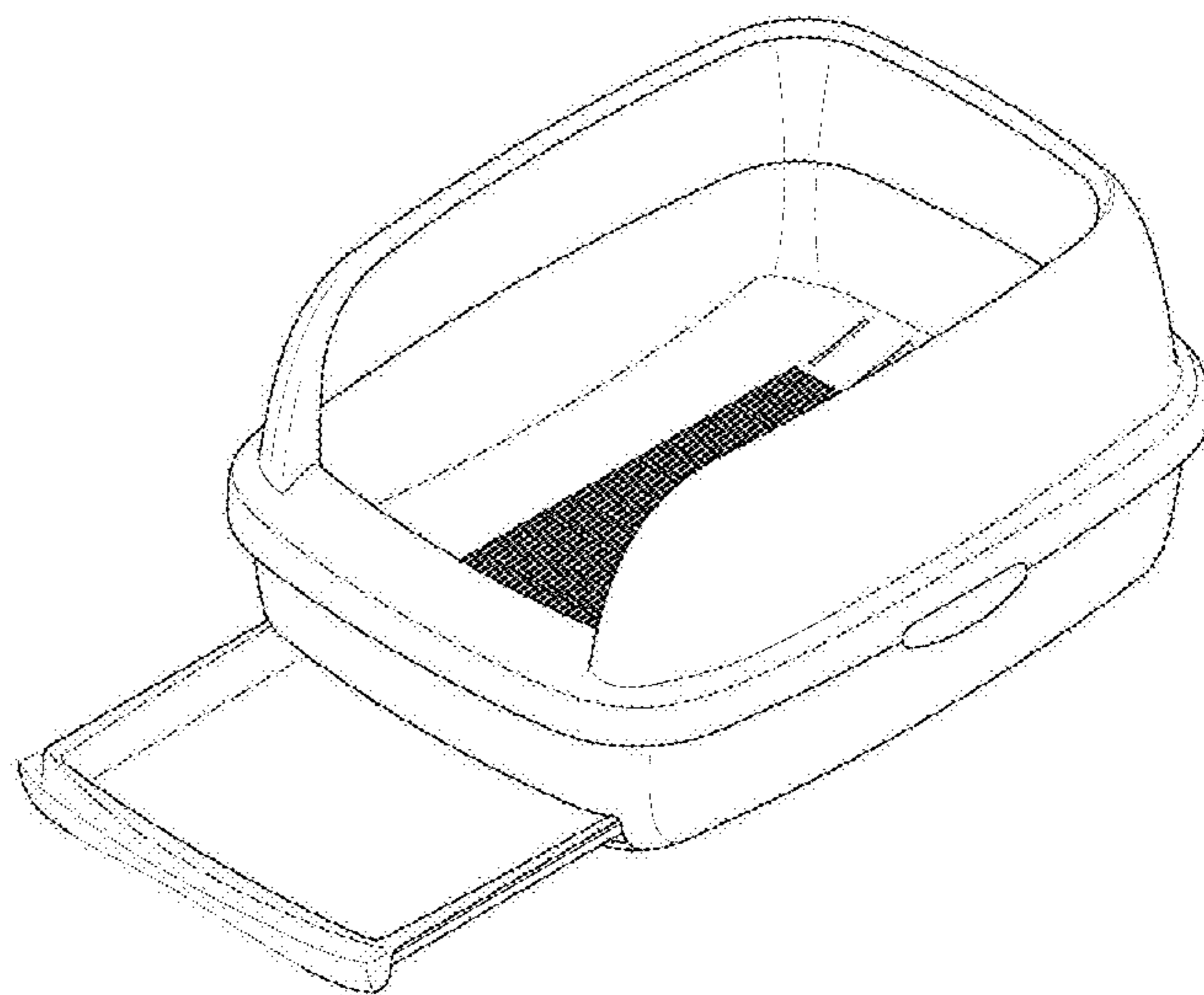
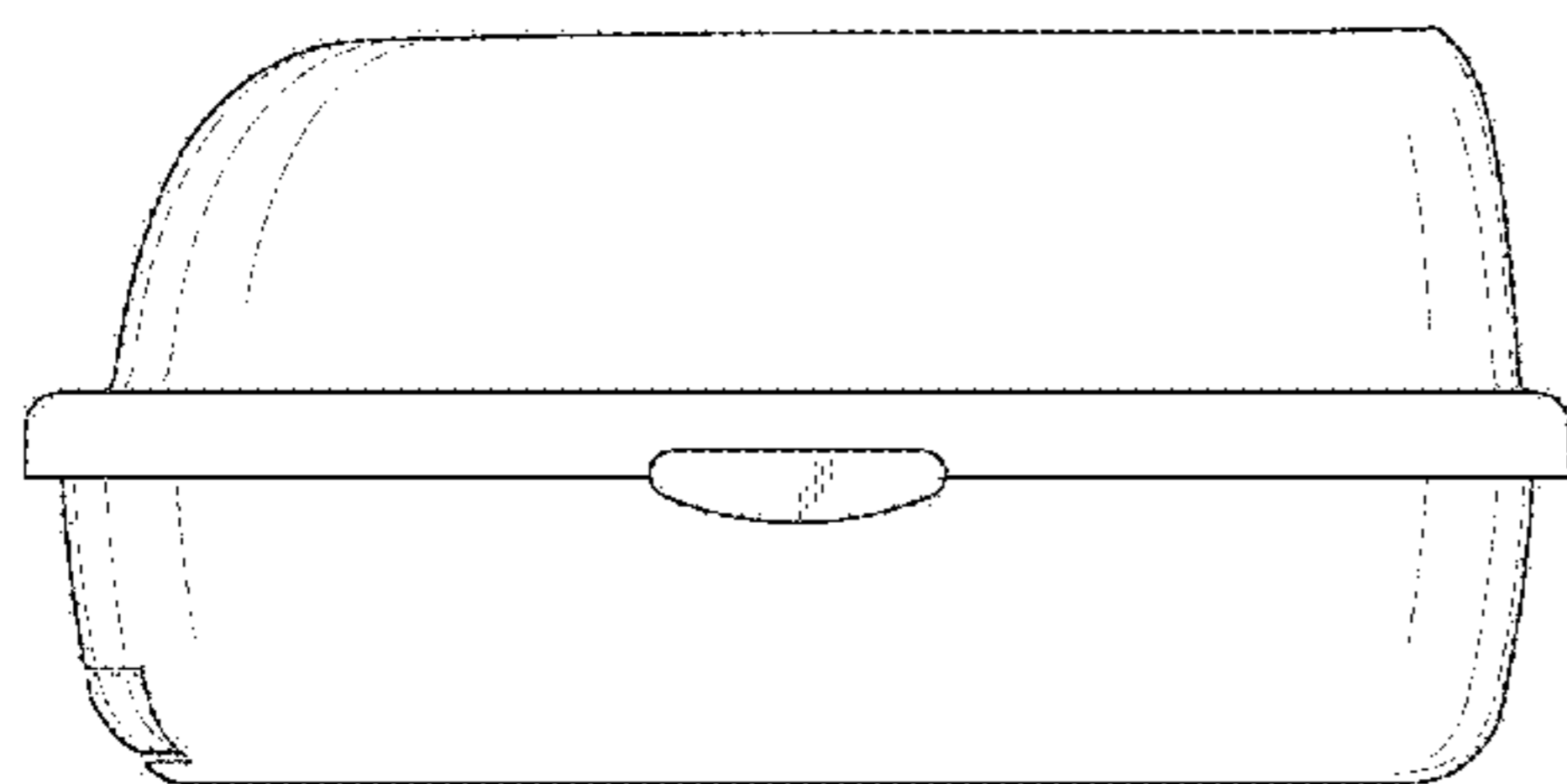
FIG. 1 is a front elevation view showing our new design; FIG. 2 is a back elevation view thereof; FIG. 3 is a left elevation side view thereof; FIG. 4 is a right elevation side view thereof; FIG. 5 is a top view thereof; FIG. 6 is a front perspective view thereof; and, FIG. 7 is another front perspective view showing the drawer tray opened.

The broken lines are directed to environment and are for illustrative purposes only.

The broken lines form no part of the claimed design.

The article relates to a portable litter box for pets which consists of a storage body having a plurality of apertures, a drawer tray housed entirely under the storage body and a cover connected to the storage body.

1 Claim, 5 Drawing Sheets



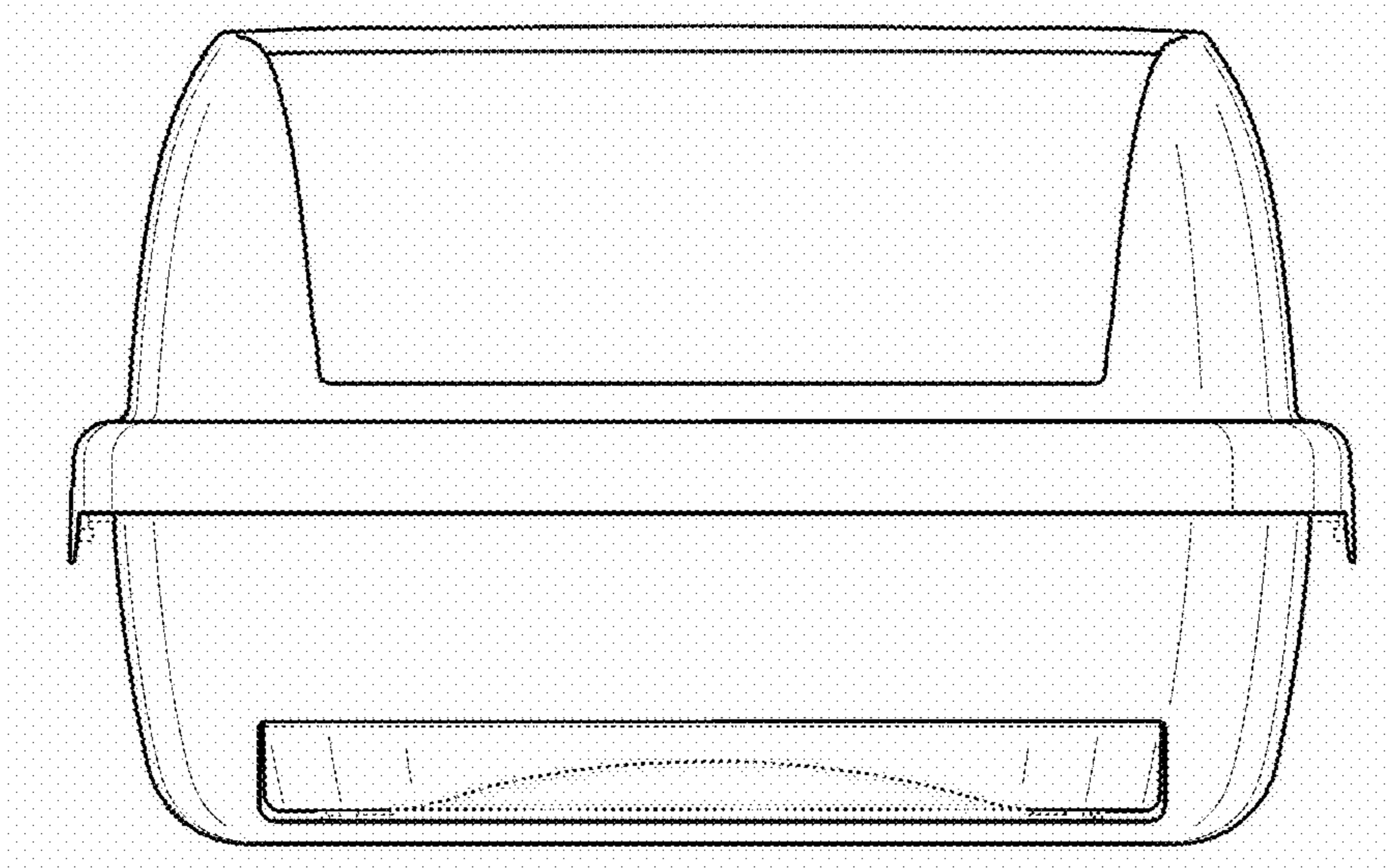


FIG. 1

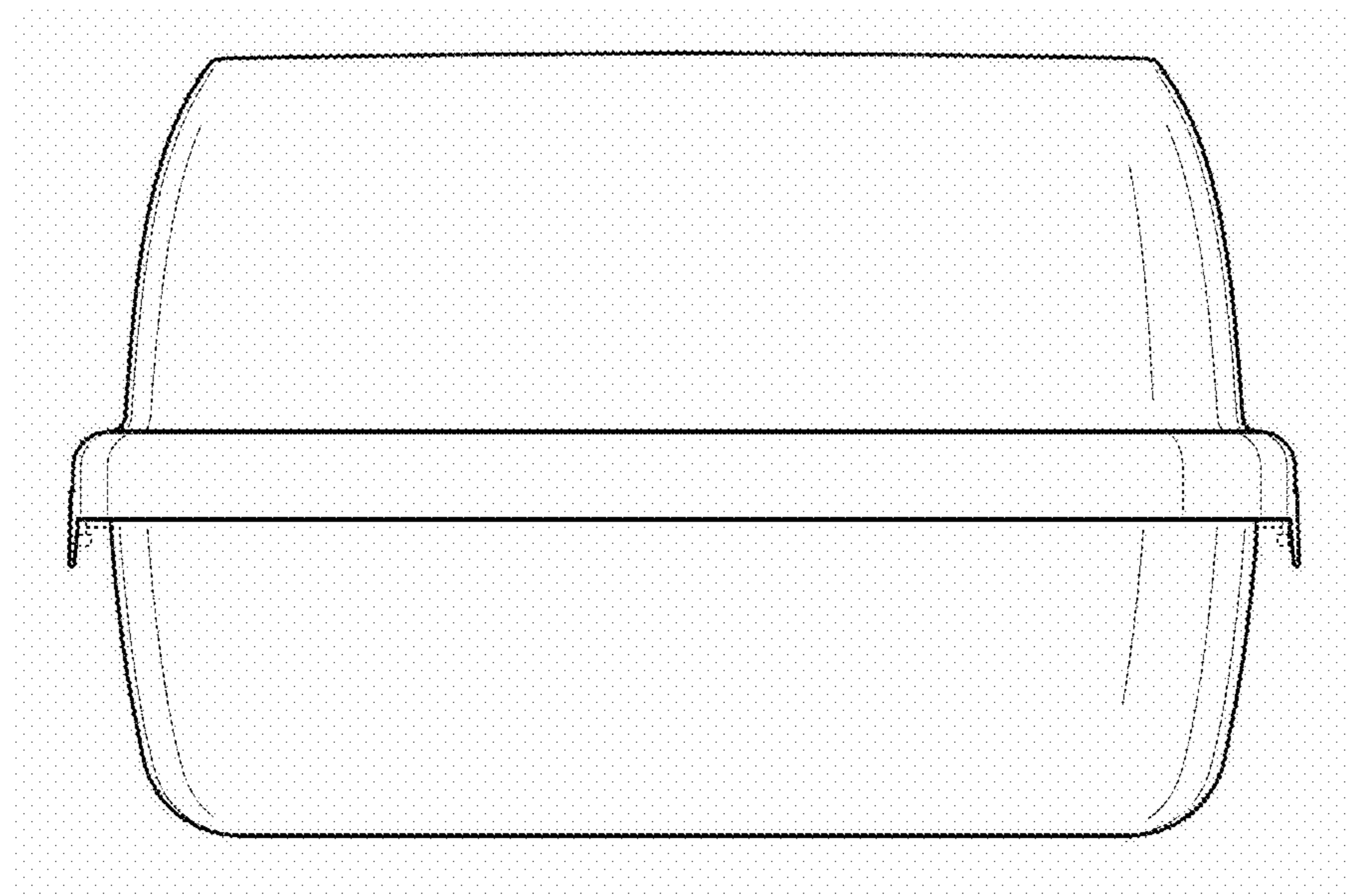


FIG. 2

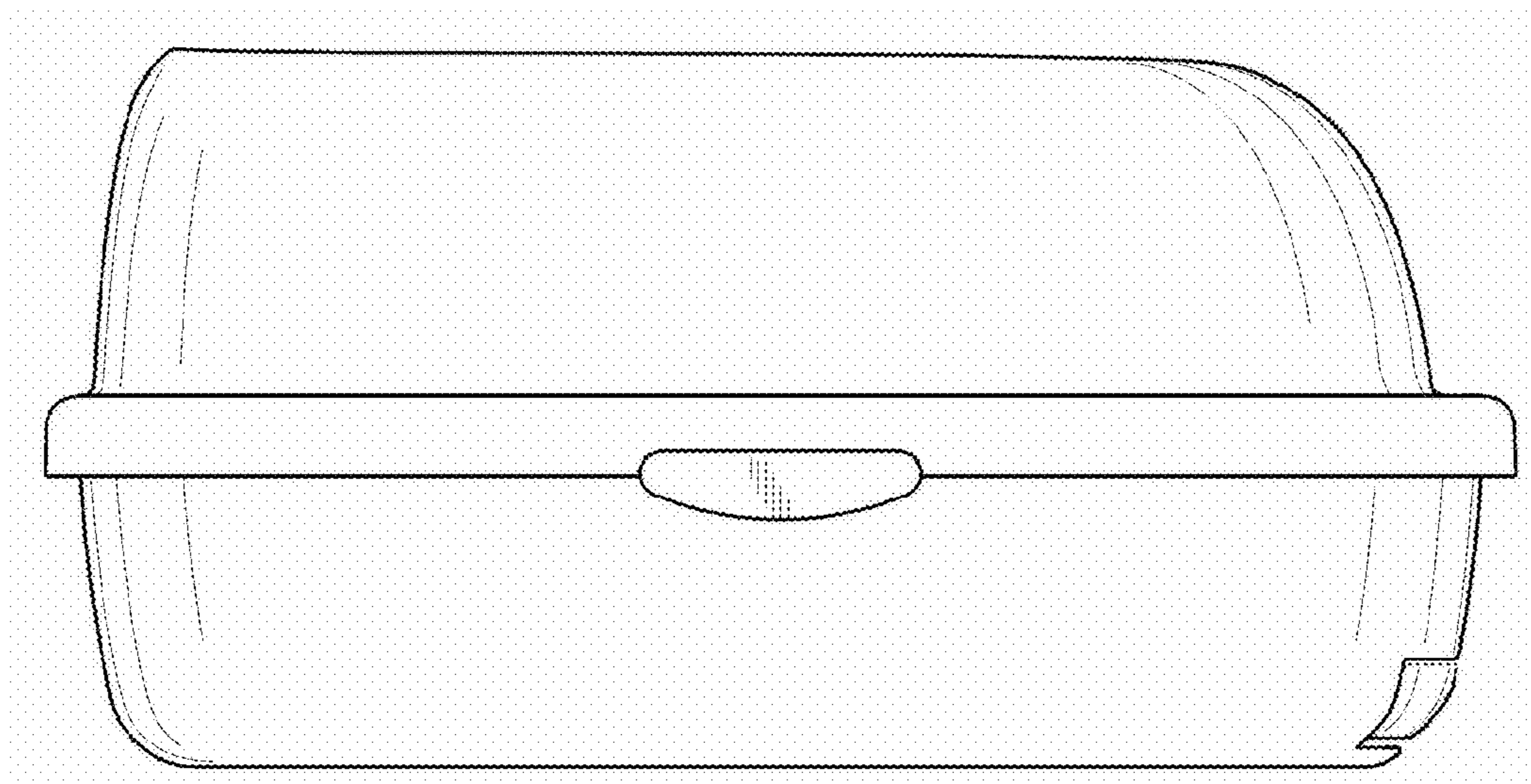


FIG. 3

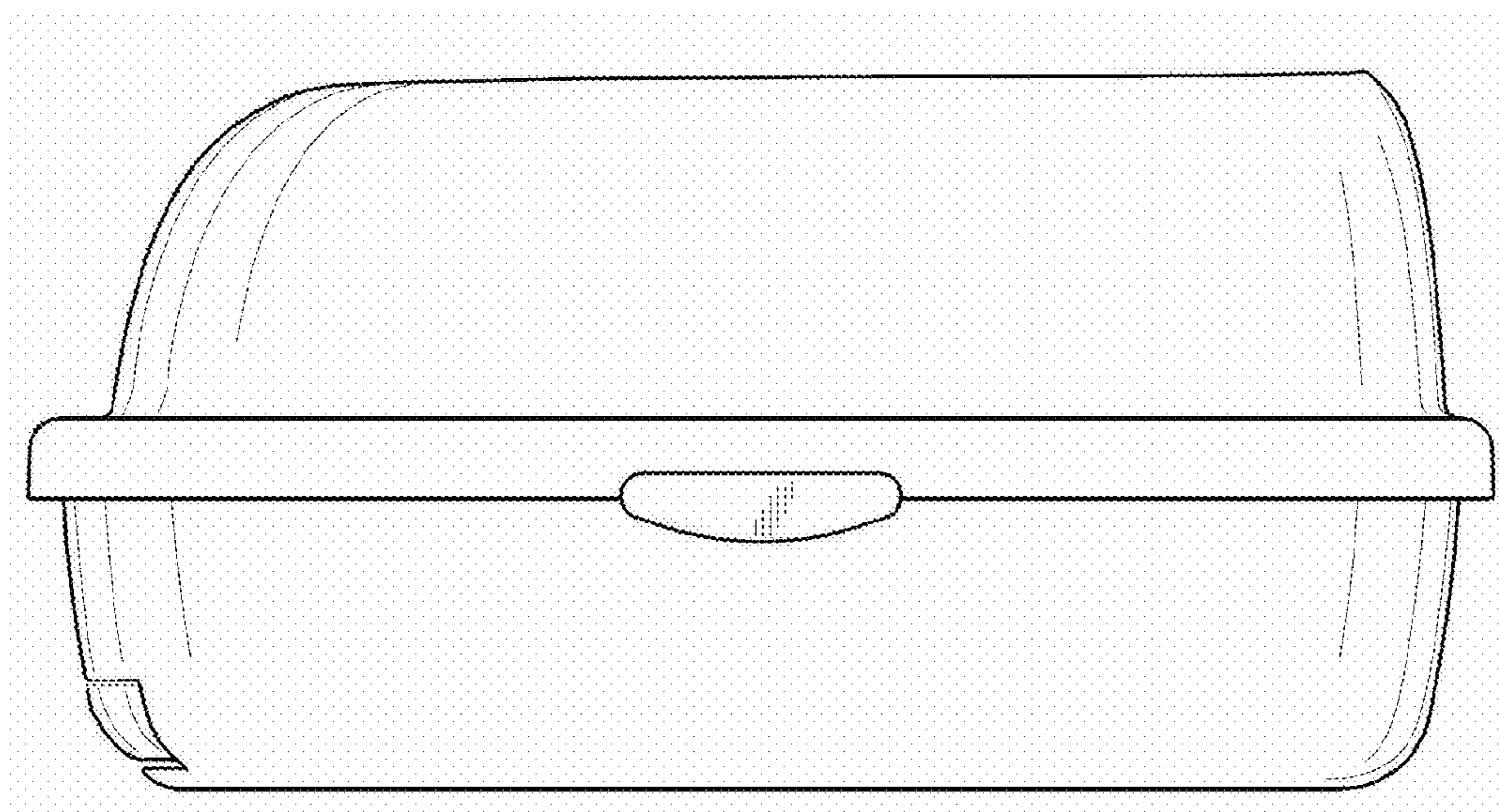
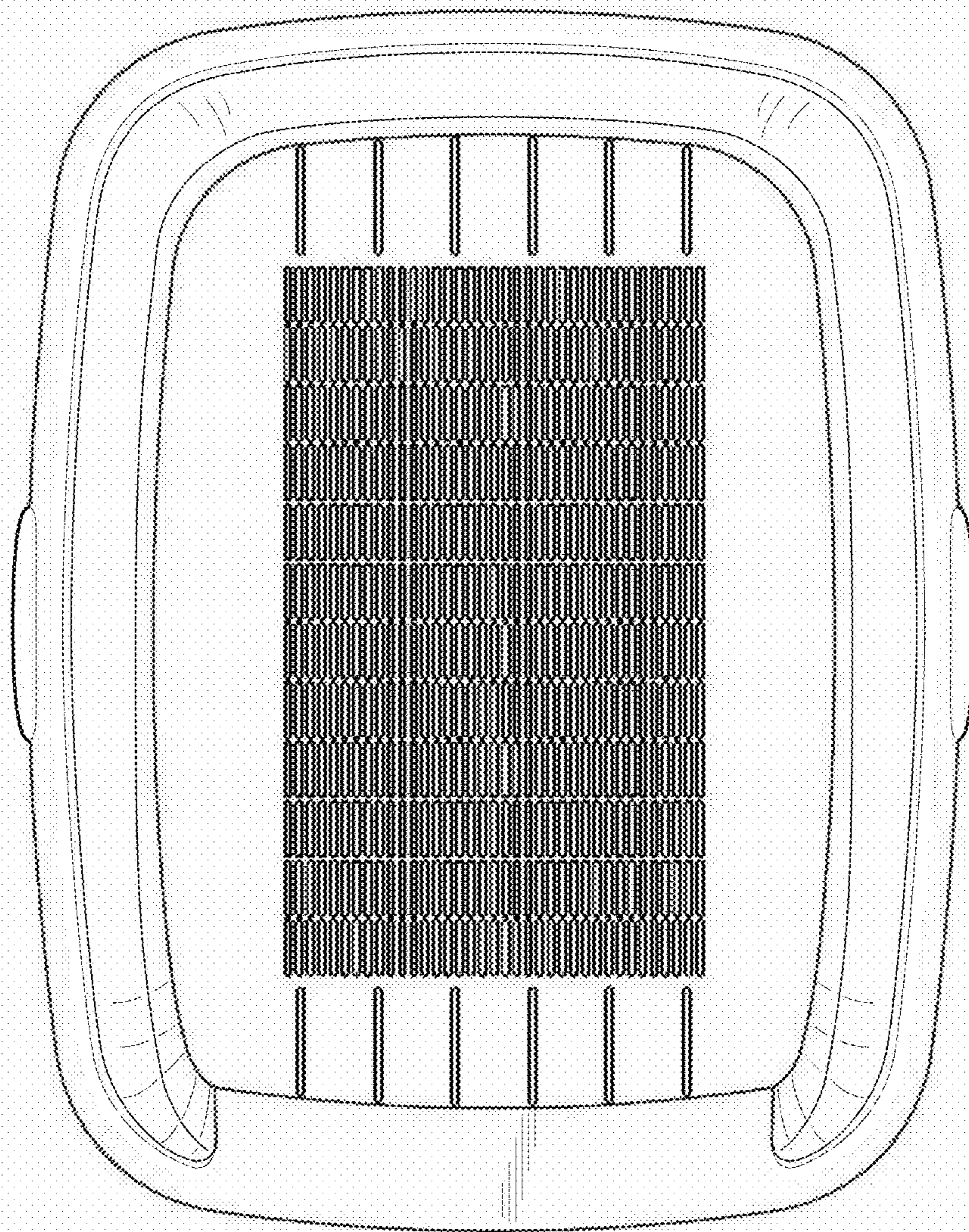


FIG. 4

FIG. 5



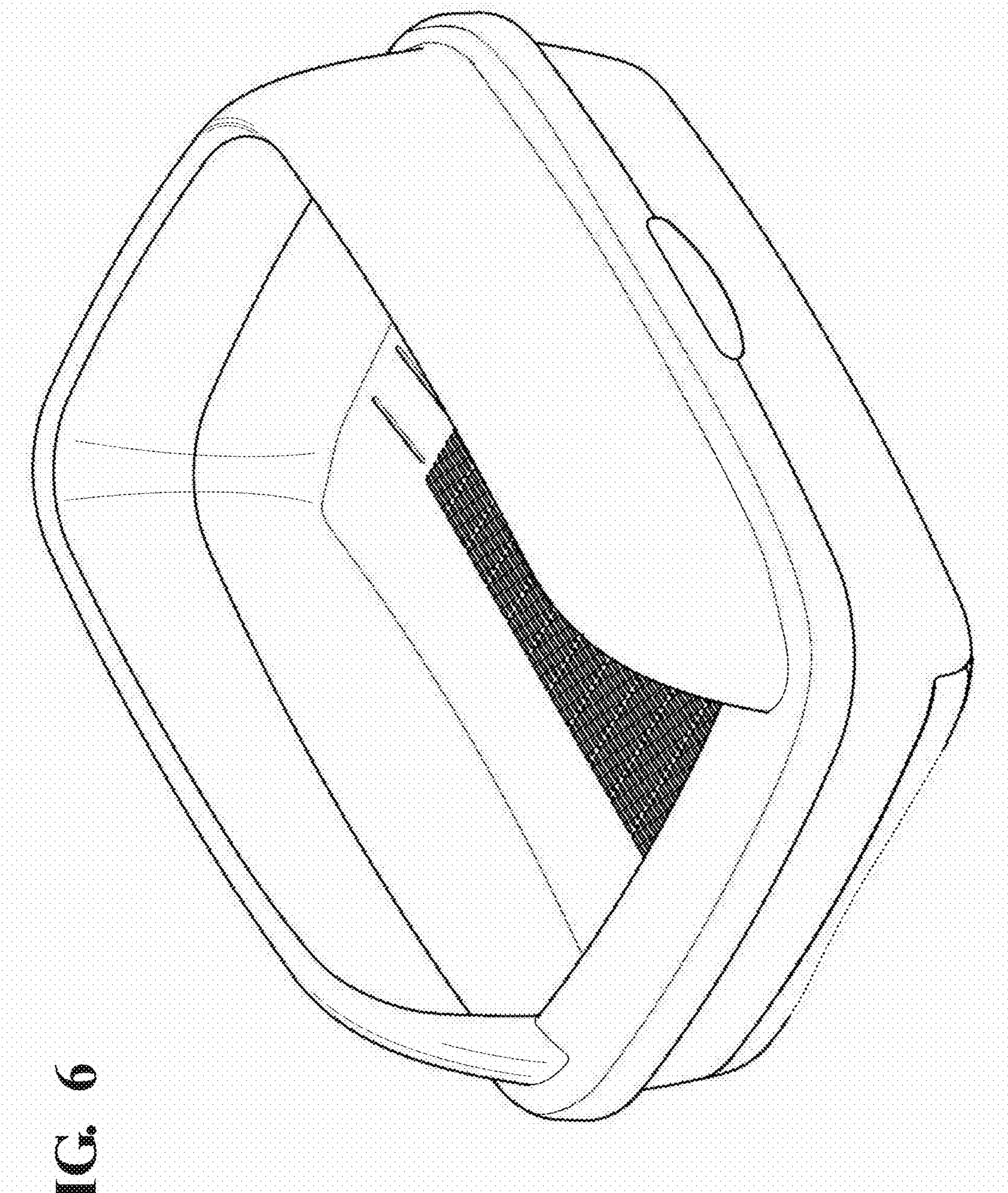


FIG. 6

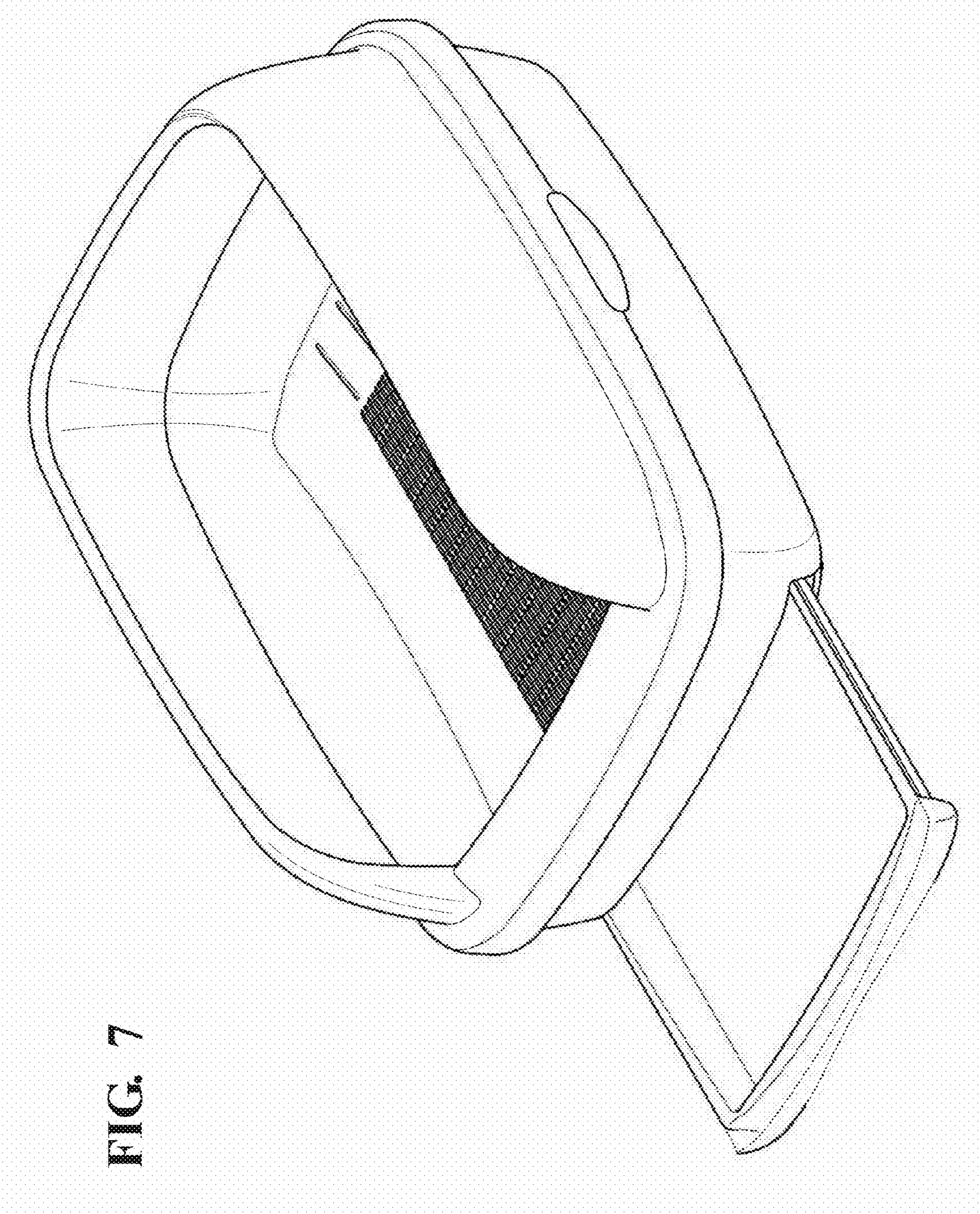


FIG. 7