



US00D728172S

(12) **United States Design Patent**
Matsuo et al.

(10) **Patent No.:** **US D728,172 S**

(45) **Date of Patent:** **** Apr. 28, 2015**

(54) **LITTER BOX FOR PETS**

(75) Inventors: **Takayuki Matsuo**, Kanonji (JP);
Tatsuya Sogo, Kanonji (JP); **Daisuke Kaneda**, Toyama (JP)

(73) Assignee: **Unicharm Corporation**, Ehime (JP)

(**) Term: **14 Years**

(21) Appl. No.: **29/410,964**

(22) Filed: **Jan. 13, 2012**

(30) **Foreign Application Priority Data**

Jul. 13, 2011 (JP) 2011-016157

(51) **LOC (10) Cl.** **30-99**

(52) **U.S. Cl.**
USPC **D30/161**

(58) **Field of Classification Search**
USPC D30/108-112, 118, 161; 119/153,
119/495-501, 161-170
See application file for complete search history.

(56) **References Cited**

U.S. PATENT DOCUMENTS

399,753 A * 3/1889 Jones et al. D30/161
3,890,931 A * 6/1975 Saver 119/161
5,572,950 A * 11/1996 O'Rourke et al. 119/165

D399,613 S * 10/1998 O'Rourke et al. D30/161
6,412,440 B2 * 7/2002 Kobayashi 119/161
6,925,961 B2 * 8/2005 Langdale 119/166
D527,498 S * 8/2006 Lewis, II D30/161
D528,252 S * 9/2006 Van Skiver et al. D30/161
D591,463 S * 4/2009 Plante D30/161
7,849,818 B2 * 12/2010 Matsuo et al. 119/166
7,856,945 B2 * 12/2010 Matsuo et al. 119/166
D651,772 S * 1/2012 Weber D30/161

* cited by examiner

Primary Examiner — Cathy A MacCormac

(74) *Attorney, Agent, or Firm* — Brinks Gilson & Lione

(57) **CLAIM**

The ornamental design for a litter box for pets, as shown and described.

DESCRIPTION

FIG. 1 is a front elevation view showing our new design;
FIG. 2 is a back elevation view thereof;
FIG. 3 is a left elevation side view thereof;
FIG. 4 is a right elevation side view thereof;
FIG. 5 is a top view thereof;
FIG. 6 is a front perspective view thereof;
FIG. 7 is another front perspective view showing the drawer tray opened; and,
FIG. 8 is another front perspective view showing the cover opened.

The broken lines are directed to environment and are for illustrative purposes only. The broken lines form no part of the claimed design.

1 Claim, 6 Drawing Sheets

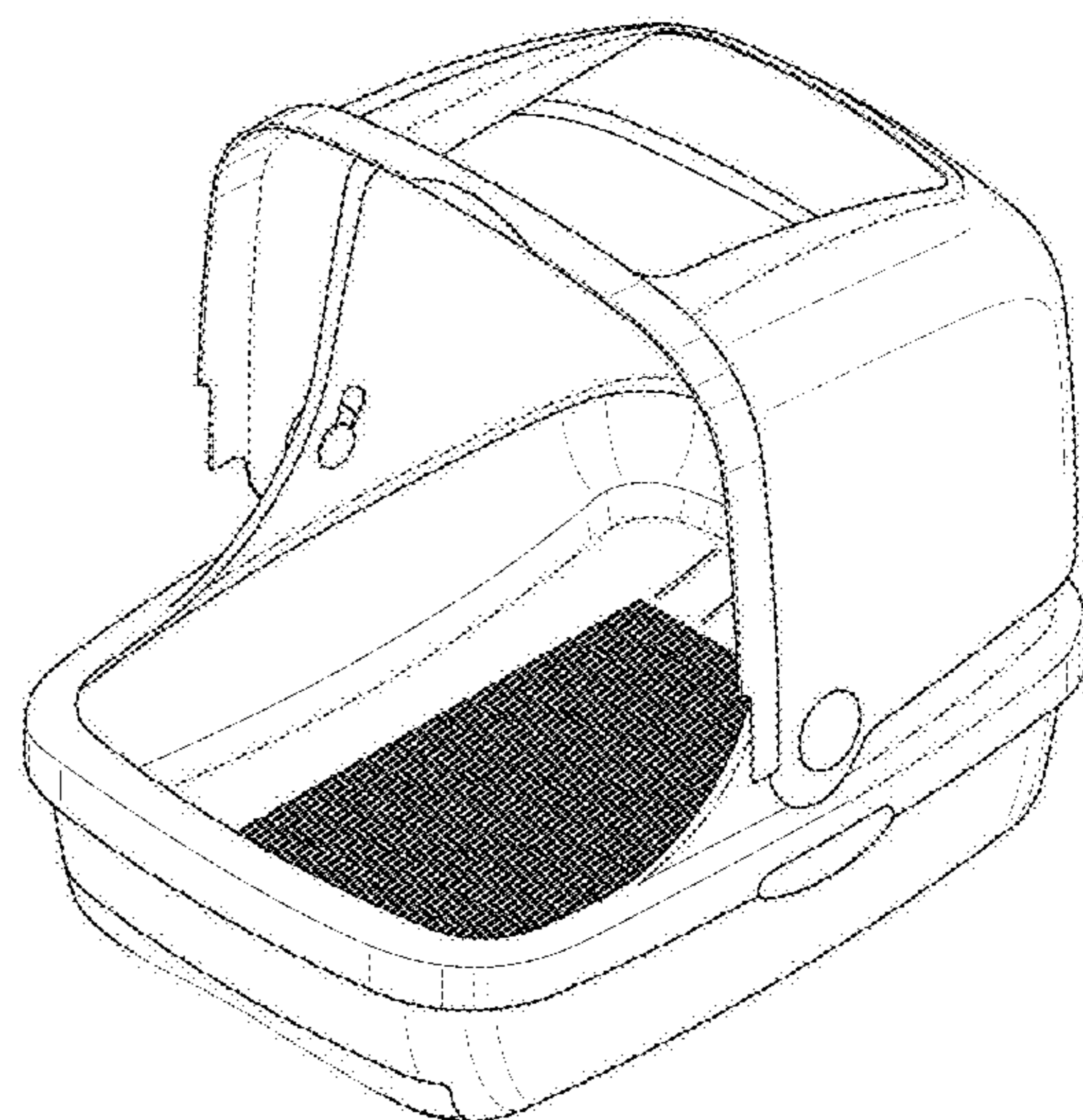
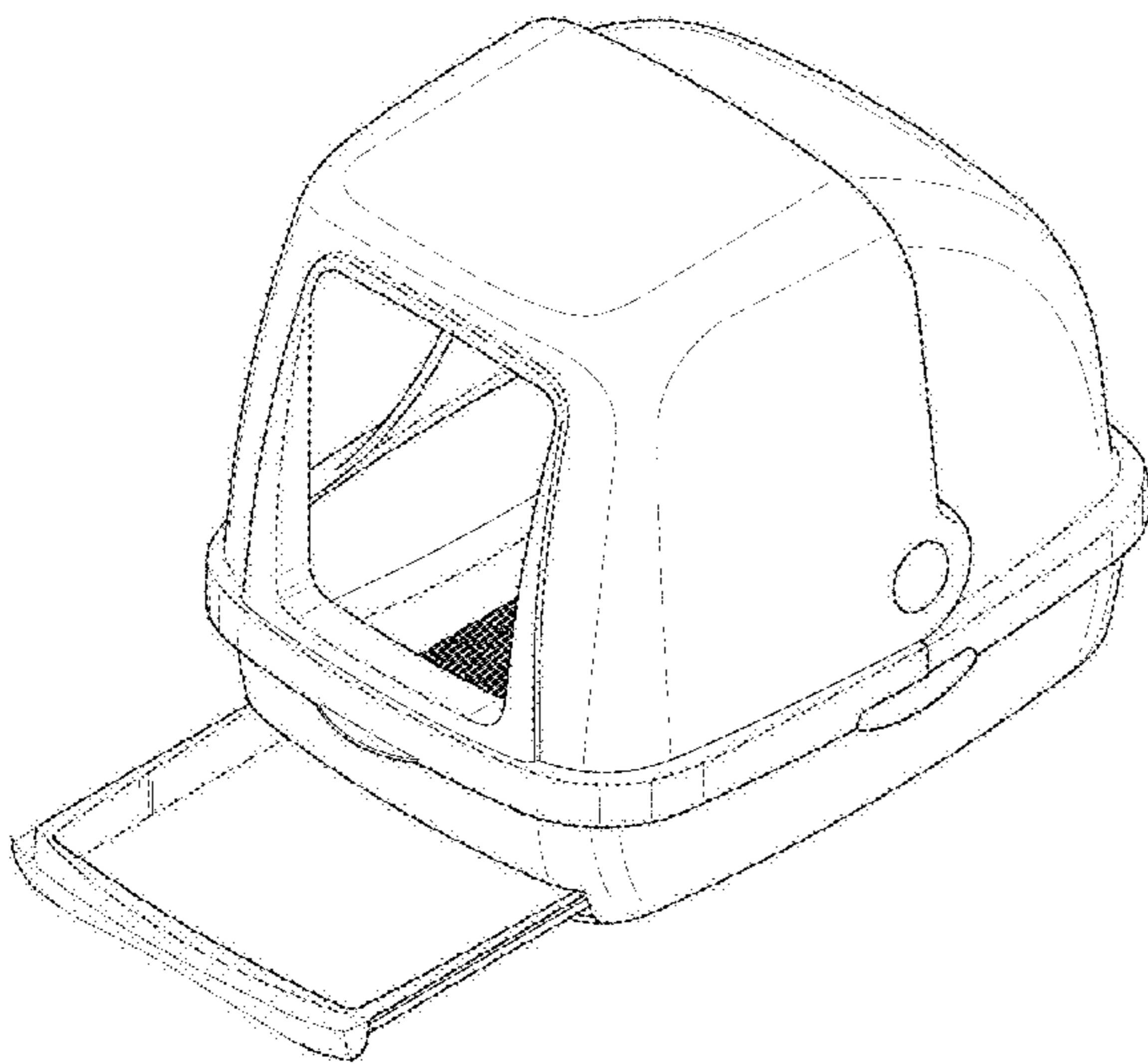


FIG. 1

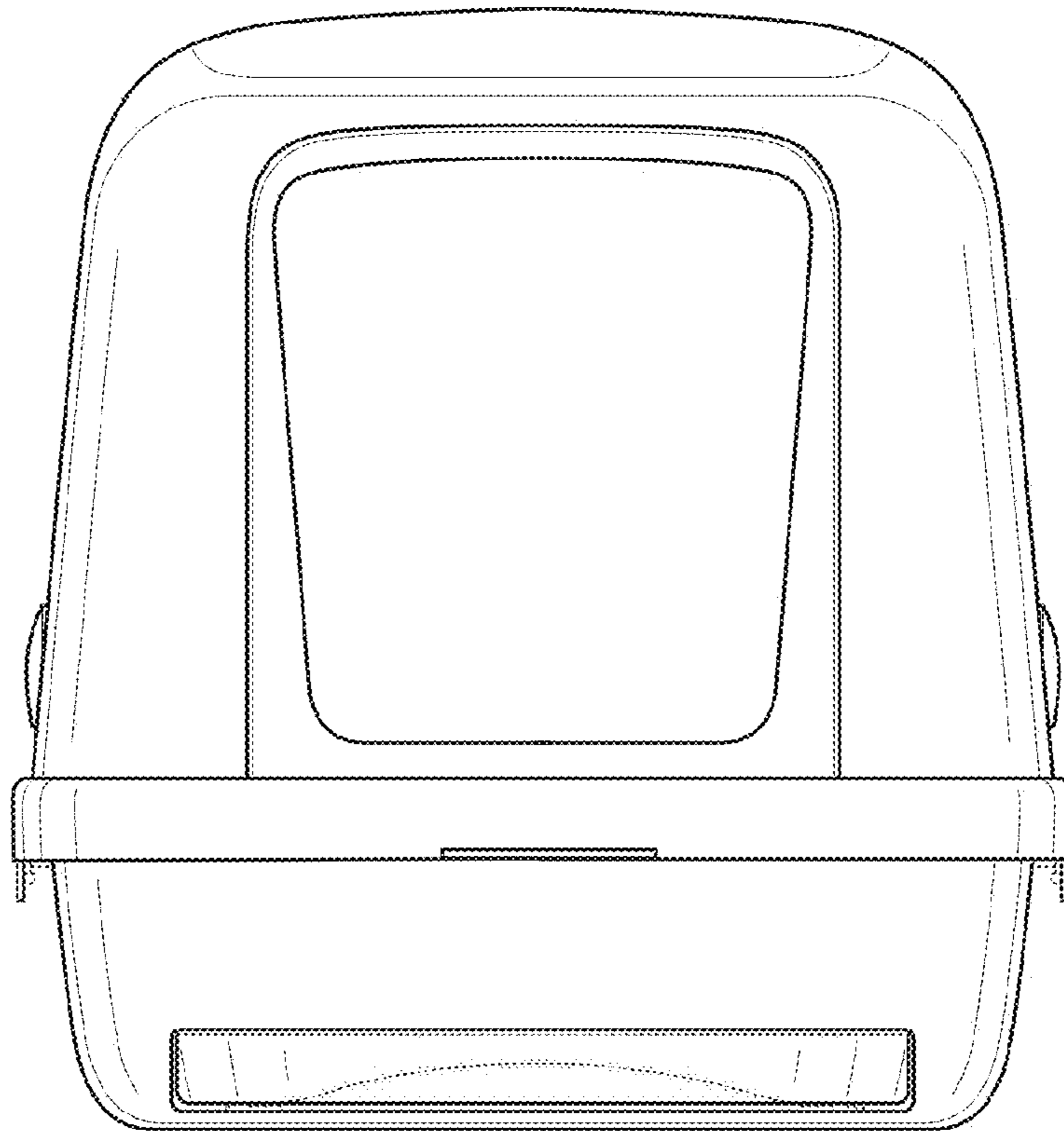


FIG. 2

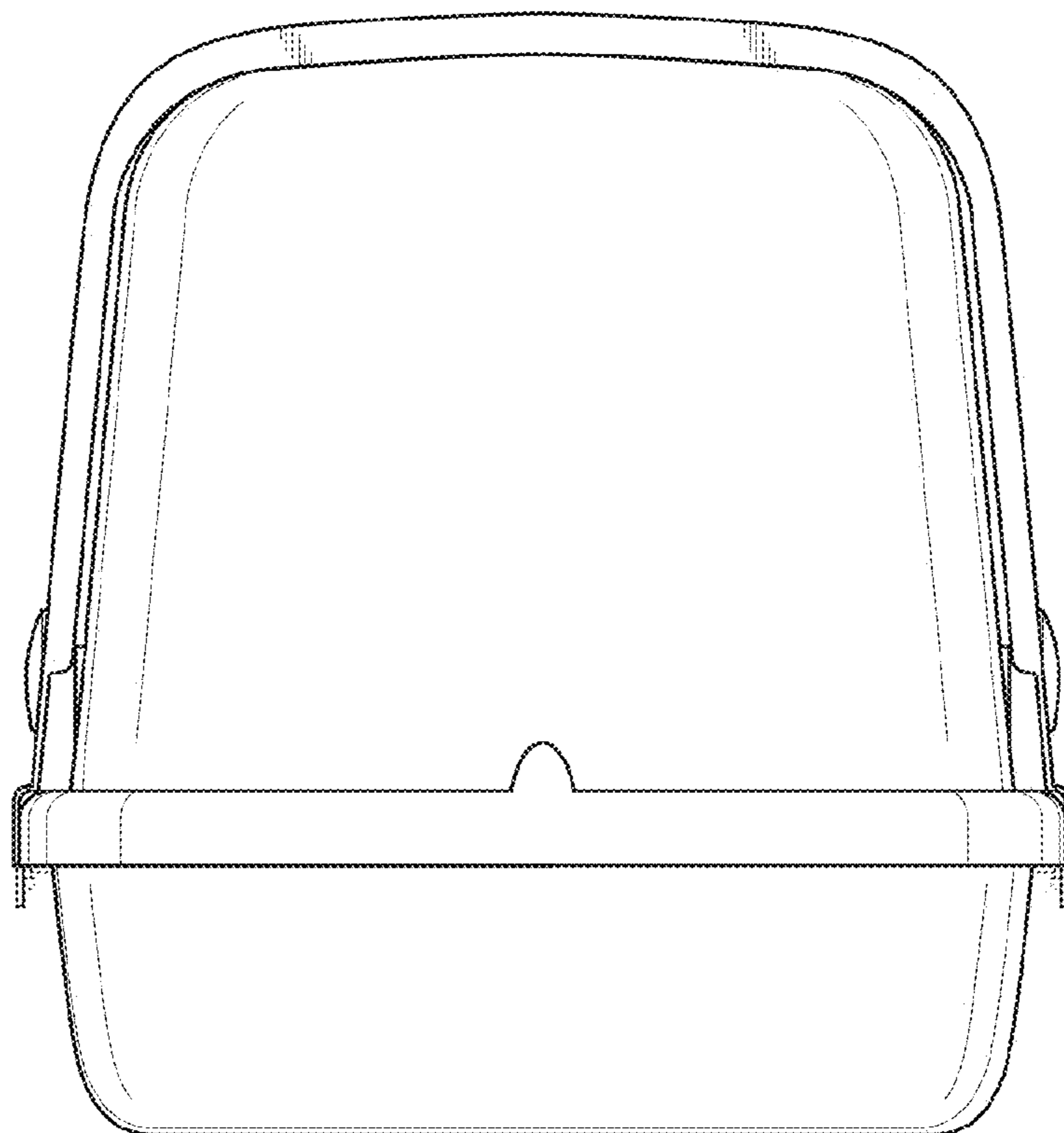


FIG. 3

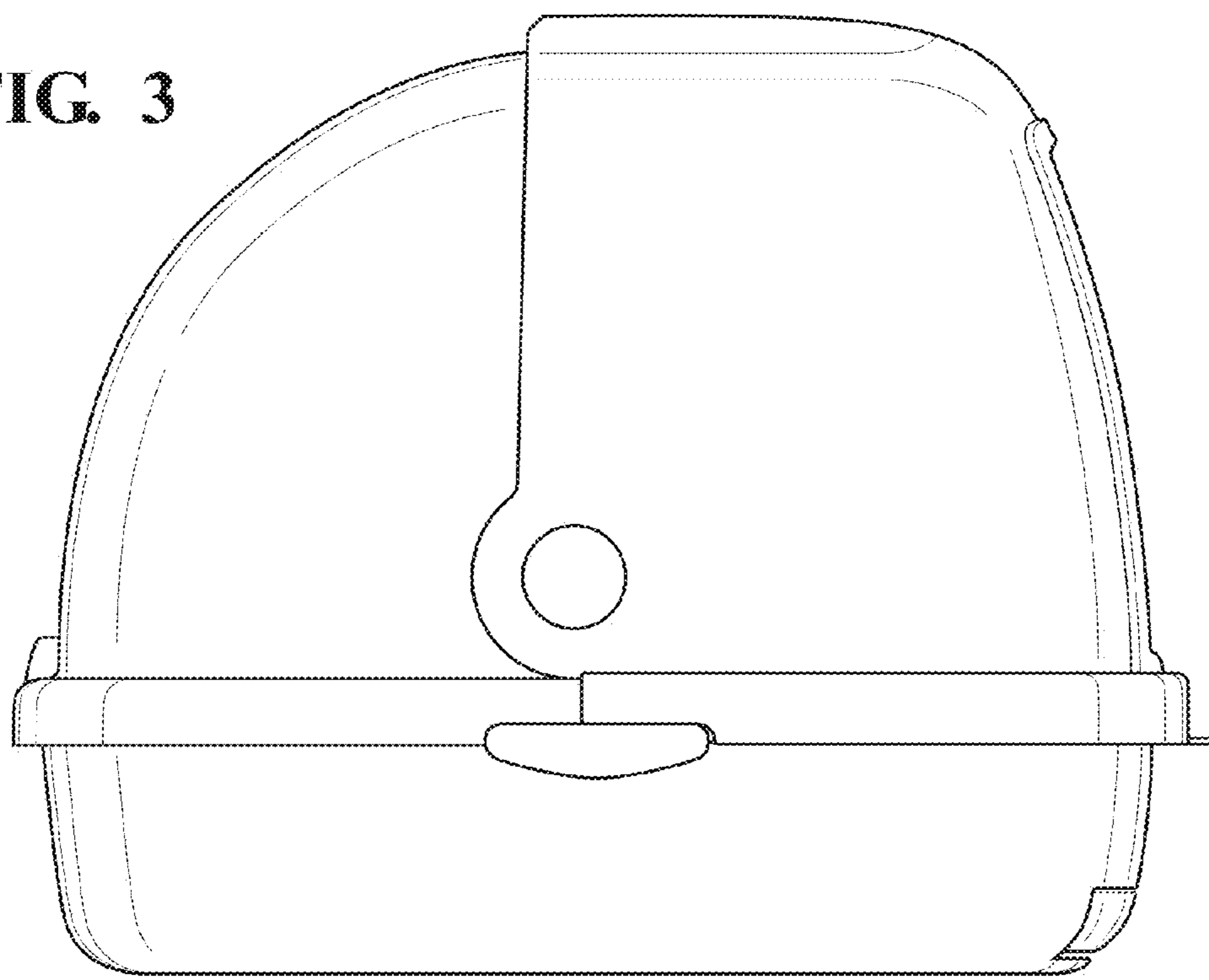
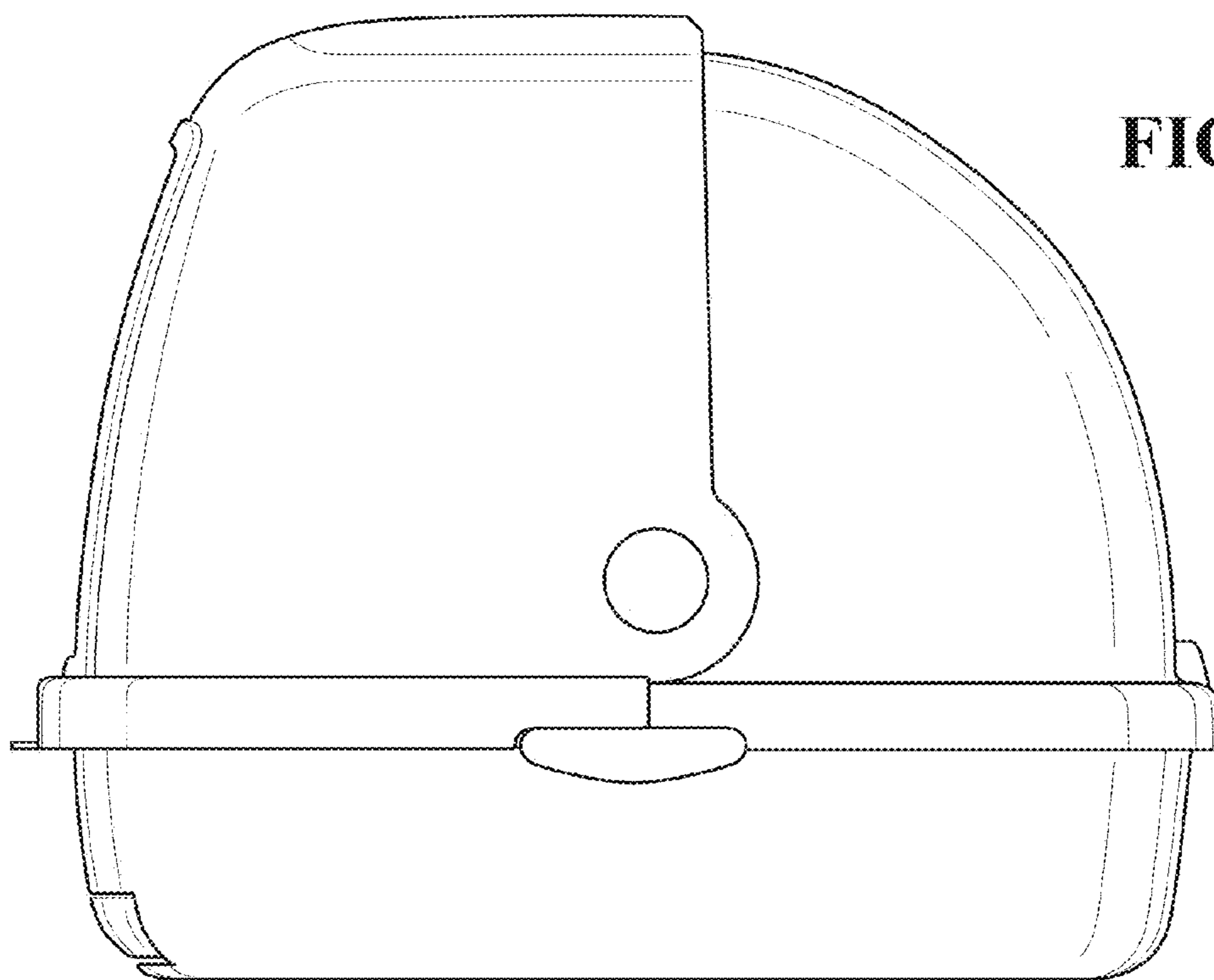


FIG. 4



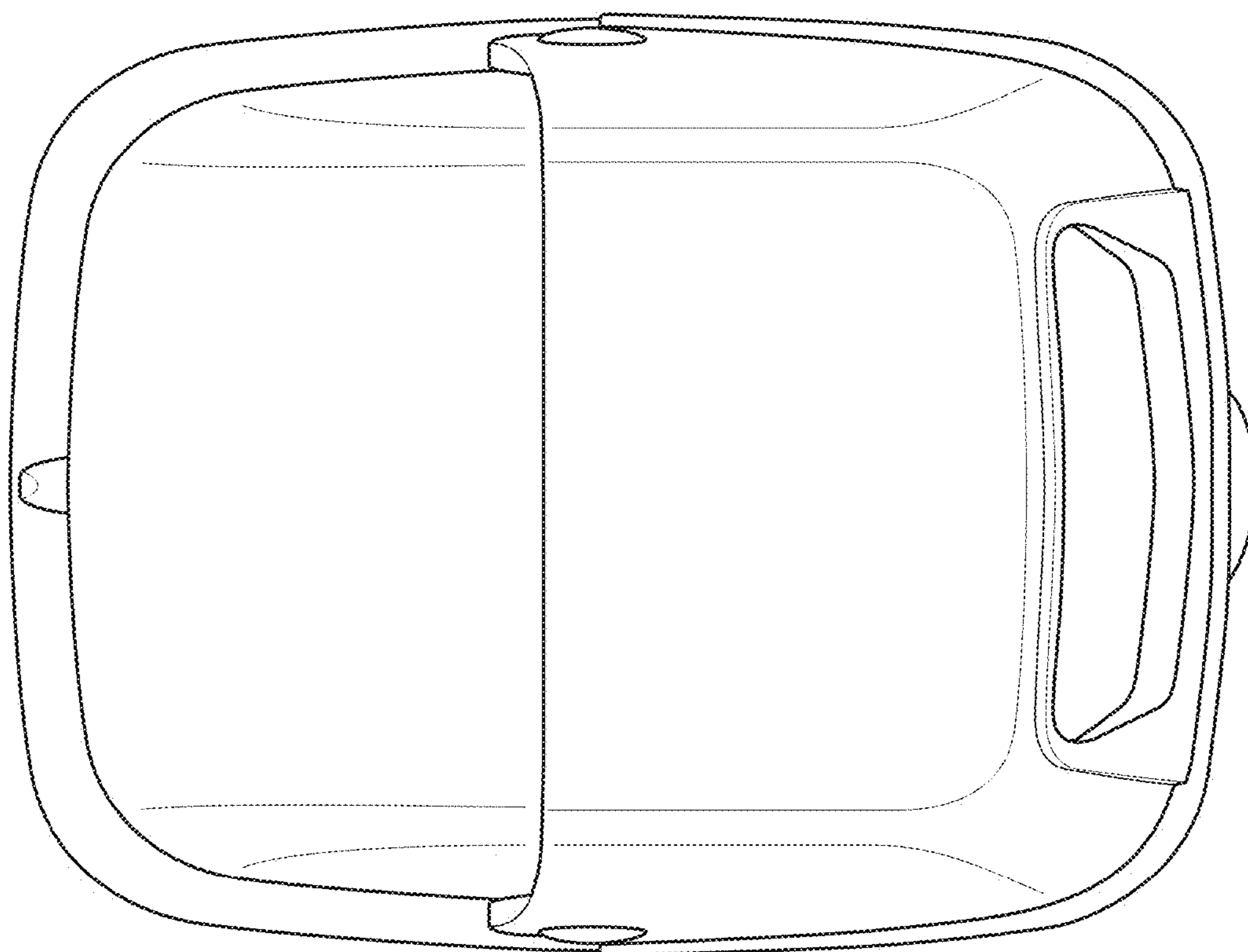


FIG. 5

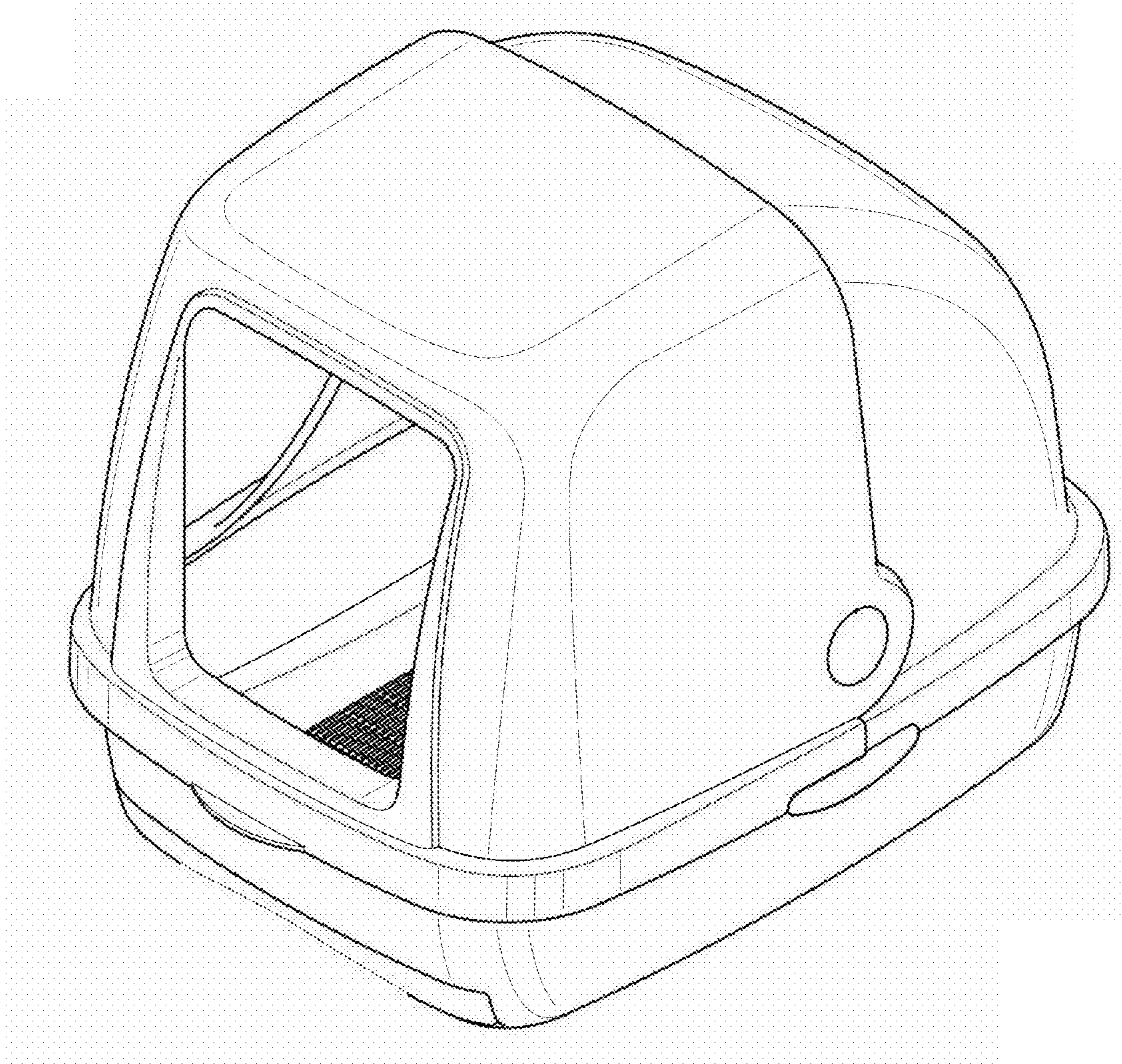


FIG. 6

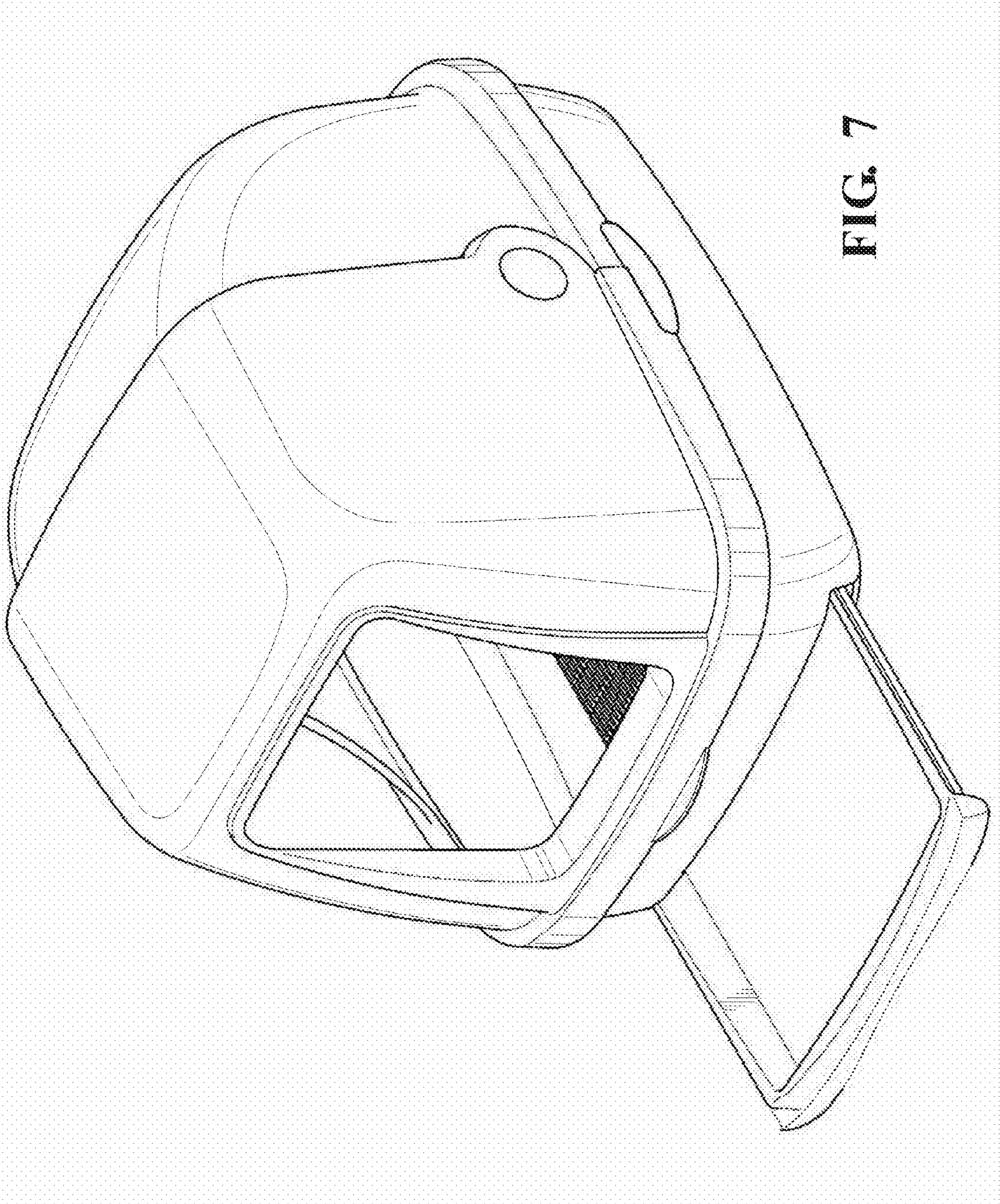


FIG. 7

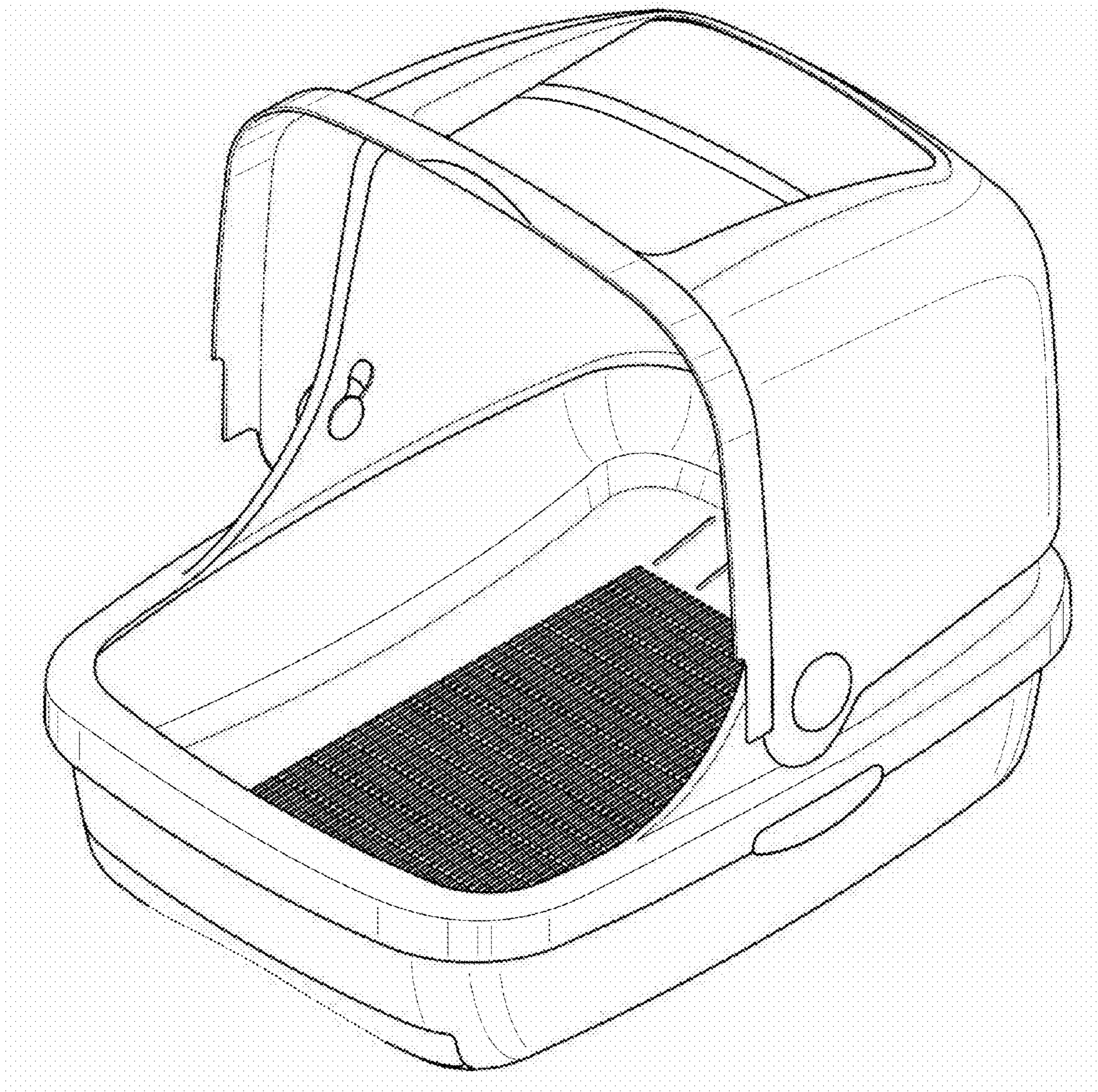


FIG. 8