



US00D728171S

(12) **United States Design Patent**
Byrne

(10) **Patent No.:** **US D728,171 S**
(45) **Date of Patent:** **** Apr. 28, 2015**

- (54) **ROPE SNAKE PET TOY**
- (71) Applicant: **C.B. Worldwide, Inc.**, Mammoth Lakes, CA (US)
- (72) Inventor: **Charles A. Byrne**, Mammoth Lakes, CA (US)
- (73) Assignee: **C.B. Worldwide, Inc.**, Mammoth Lakes, CA (US)

(**) Term: **14 Years**

(21) Appl. No.: **29/448,297**

(22) Filed: **Mar. 11, 2013**

(51) **LOC (10) Cl.** **30-99**

(52) **U.S. Cl.**
USPC **D30/160**

(58) **Field of Classification Search**
USPC D30/160, 156; D21/657; 57/210;
119/702, 706-711; 124/16; 231/2.1;
446/490

See application file for complete search history.

(56) **References Cited**

U.S. PATENT DOCUMENTS

D38,325	S	*	11/1906	Timmins	D21/567
1,149,170	A	*	8/1915	Allis	119/710
1,157,838	A	*	10/1915	Bloomberg	231/2.1
1,893,099	A	*	1/1933	Nelson	231/2.1
2,032,871	A	*	3/1936	Dammeyer	446/490
2,205,144	A	*	6/1940	Kaplan	57/210
3,356,294	A	*	12/1967	Henry	231/2.1
3,799,429	A	*	3/1974	Henry	231/2.1
D232,744	S	*	9/1974	McGrew	D30/153
D244,869	S	*	6/1977	Manley et al.	D30/153

4,154,391	A	*	5/1979	Girty	231/3
4,789,045	A	*	12/1988	Pugh	182/190
D319,605	S	*	9/1991	Jenks	D30/160
5,639,020	A	*	6/1997	Yau	231/2.1
5,941,198	A	*	8/1999	Sullivan	57/210
6,085,628	A	*	7/2000	Street et al.	57/210
D476,378	S	*	6/2003	Derrick	D21/443
7,219,626	B2	*	5/2007	Hurwitz	119/707
7,543,550	B2	*	6/2009	Simpson	119/708
D626,391	S	*	11/2010	Vigil	D8/14
7,825,496	B2	*	11/2010	Ma et al.	257/622
D657,234	S	*	4/2012	Herman	D8/382
8,479,687	B2	*	7/2013	Anderson et al.	119/709

* cited by examiner

Primary Examiner — Cathy A MacCormac

(74) *Attorney, Agent, or Firm* — Martino Patent Law at the Law Offices of Sepehr Daghighian

(57) **CLAIM**

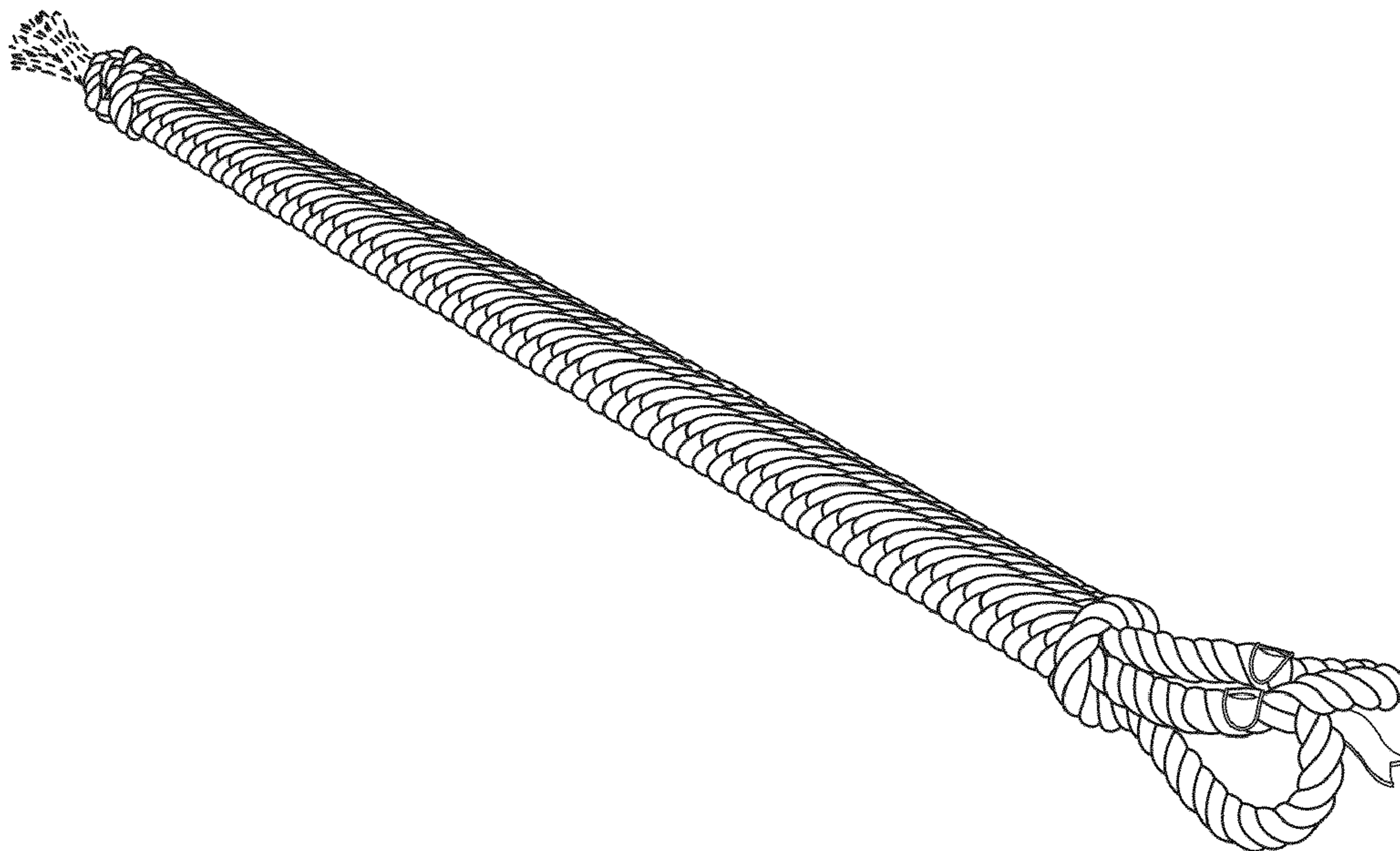
The ornamental design for a rope snake pet toy, as shown and described.

DESCRIPTION

FIG. 1 is a top, front perspective view of a rope snake pet toy embodying my new design;
 FIG. 2 is a front elevational view thereof;
 FIG. 3 is a rear elevational view thereof;
 FIG. 4 is a left side elevational view thereof;
 FIG. 5 is a right side elevation view thereof;
 FIG. 6 is a top view thereof; and,
 FIG. 7 is a bottom view thereof.

Portions of the rope snake pet toy are shown in broken lines for illustrative purposes only and form no part of the claimed design.

1 Claim, 3 Drawing Sheets



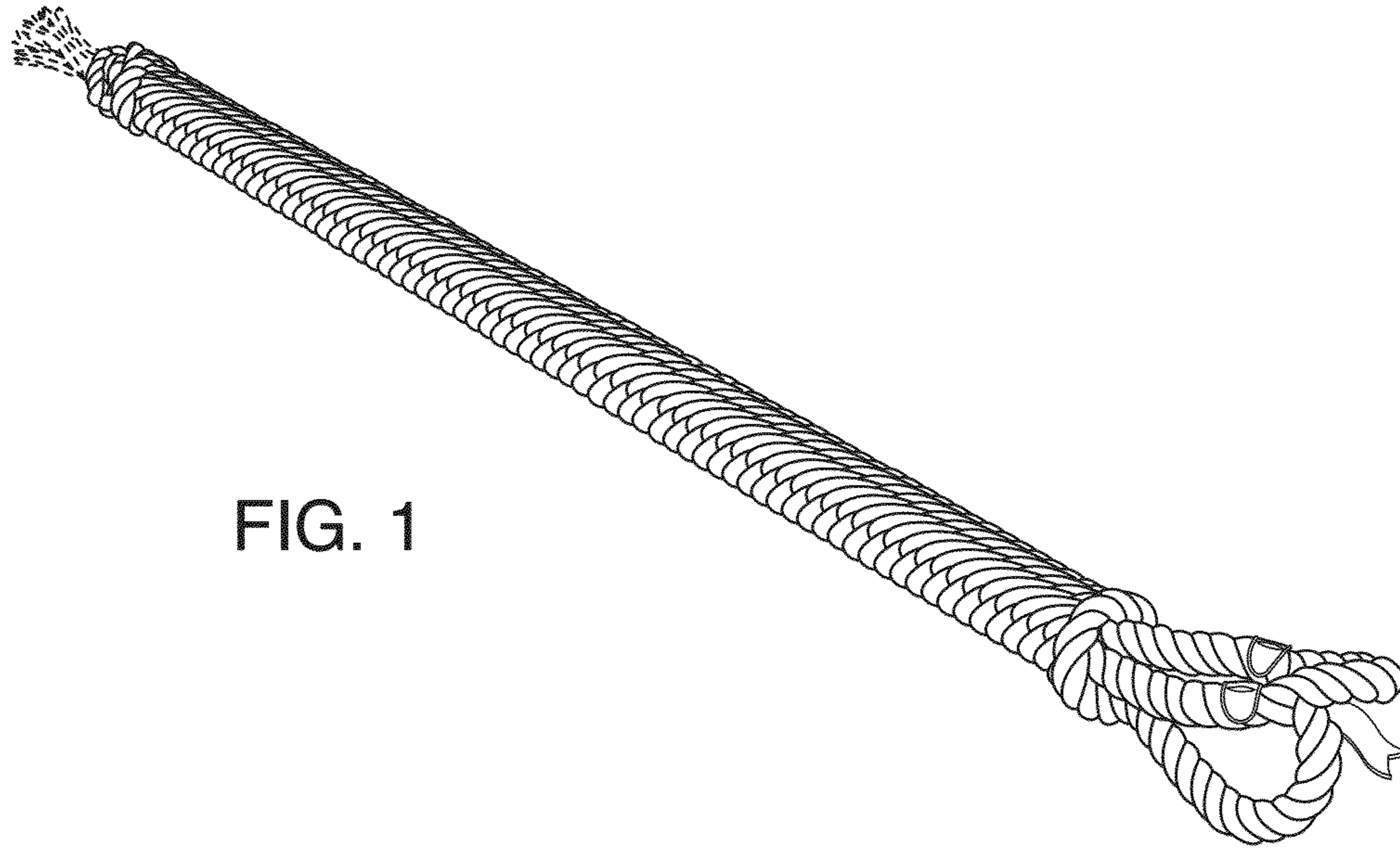


FIG. 1



FIG. 2



FIG. 3

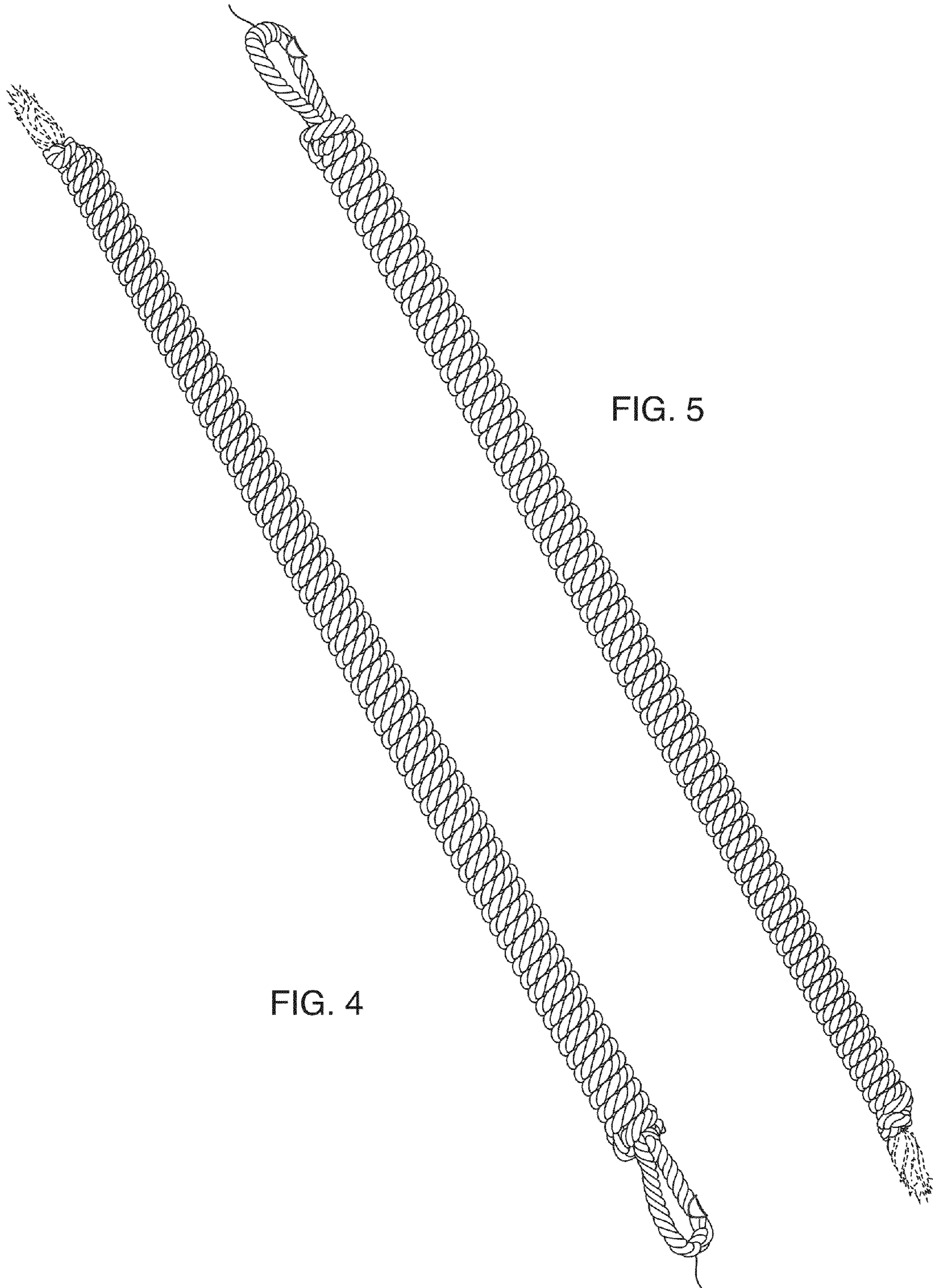


FIG. 4

FIG. 5

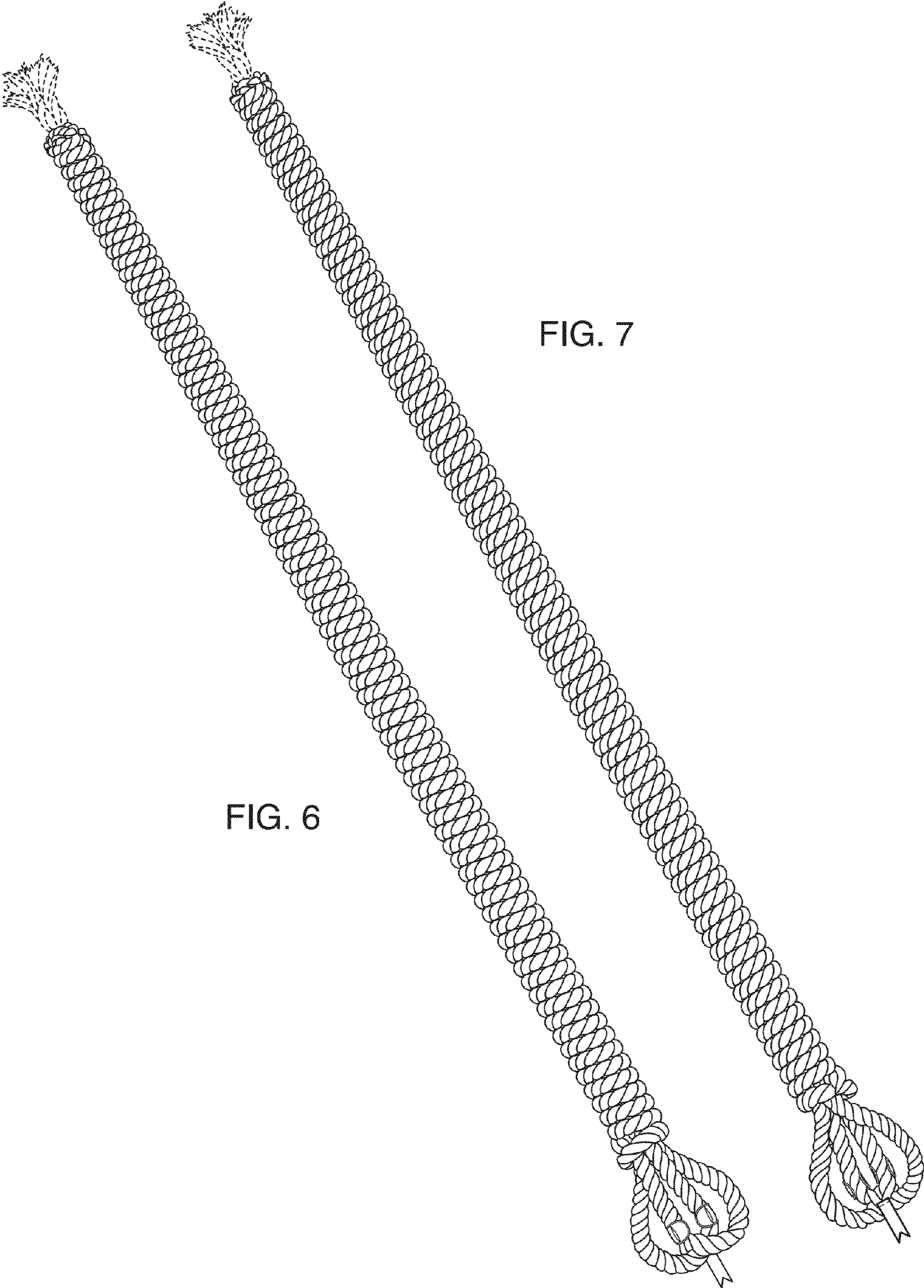


FIG. 6

FIG. 7