



US00D728168S

(12) **United States Design Patent**  
**Richardson**

(10) **Patent No.:** **US D728,168 S**  
(45) **Date of Patent:** **\*\* Apr. 28, 2015**

(54) **PET BED**

(71) Applicant: **Lyle C. Richardson**, Marietta, GA (US)

(72) Inventor: **Lyle C. Richardson**, Marietta, GA (US)

(\*\*) Term: **14 Years**

(21) Appl. No.: **29/461,167**

(22) Filed: **Jul. 19, 2013**

**Related U.S. Application Data**

(63) Continuation-in-part of application No. 13/946,055, filed on Jul. 19, 2013.

(51) **LOC (10) Cl.** ..... **30-06**

(52) **U.S. Cl.**  
USPC ..... **D30/118**; D6/597; D6/707.13

(58) **Field of Classification Search**  
USPC ..... D30/118; 119/28.5; D6/601, 597,  
D6/707.13; D21/520, 320, 339, 359, 362;  
273/246

See application file for complete search history.

(56) **References Cited**

**U.S. PATENT DOCUMENTS**

5,136,981	A *	8/1992	Barreto et al.	119/28.5
5,350,178	A *	9/1994	Hollar	273/246
D365,486	S *	12/1995	Perry	D6/597
5,588,393	A *	12/1996	Heilborn	119/28.5

(Continued)

*Primary Examiner* — Cathy A MacCormac

(74) *Attorney, Agent, or Firm* — Laurence P. Colton; Smith Risley Tempel Santos LLC

(57) **CLAIM**

The ornamental design for a pet bed, as shown and described.

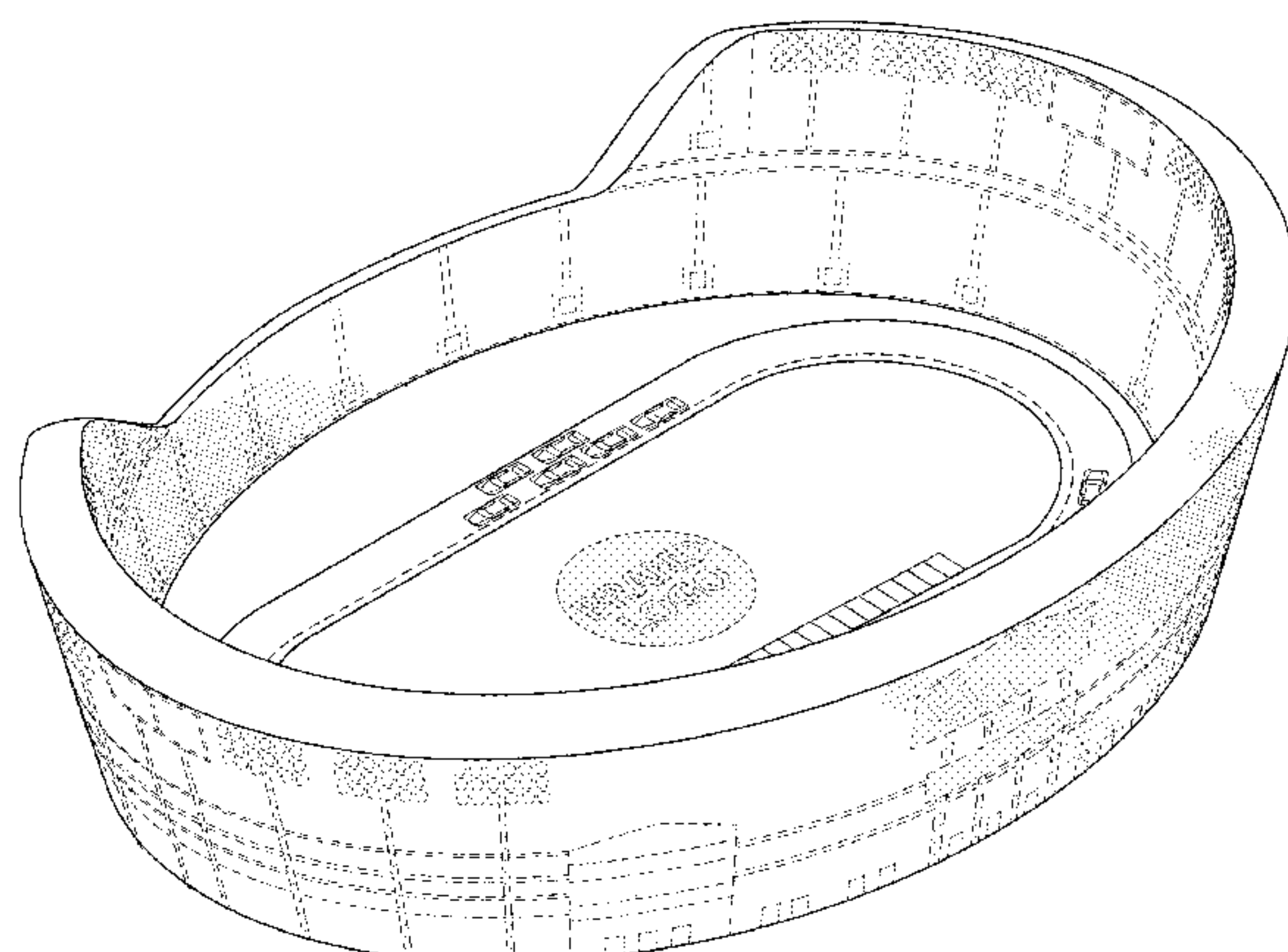
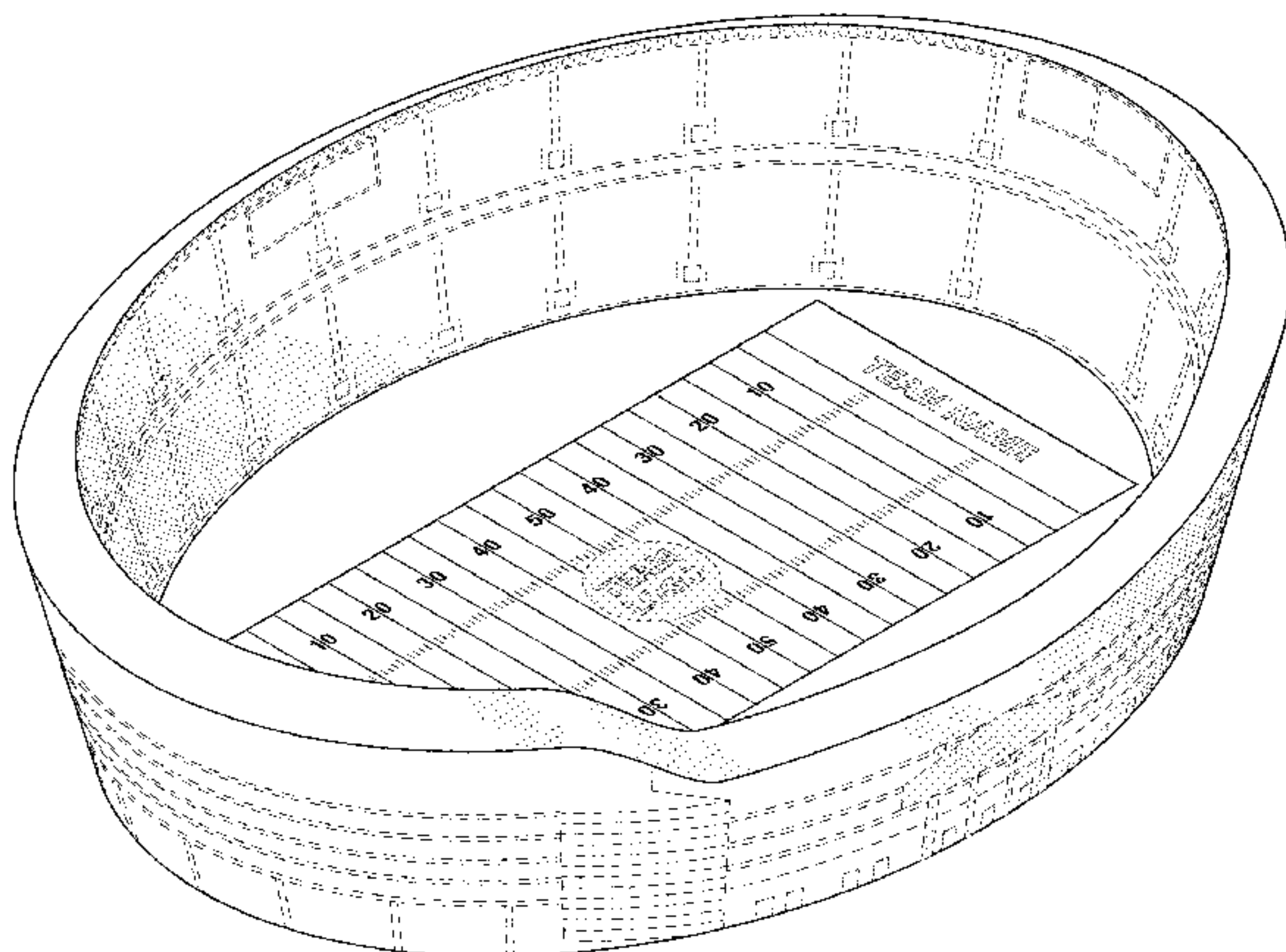
**DESCRIPTION**

FIG. 1 is a front perspective view of a pet bed;  
FIG. 2 is another front perspective view thereof;

FIG. 3 is a rear perspective view thereof;  
 FIG. 4 is another rear perspective view thereof;  
 FIG. 5 is a top plan view thereof;  
 FIG. 6 is a front view thereof;  
 FIG. 7 is a rear view thereof;  
 FIG. 8 is a left-side view thereof;  
 FIG. 9 is a right-side view thereof;  
 FIG. 10 is a front perspective view of a second embodiment thereof;  
 FIG. 11 is another front perspective view of FIG. 10;  
 FIG. 12 is a rear perspective view of FIG. 10;  
 FIG. 13 is another rear perspective view of FIG. 10;  
 FIG. 14 is a top plan view of FIG. 10;  
 FIG. 15 is a front view of FIG. 10;  
 FIG. 16 is a rear view of FIG. 10;  
 FIG. 17 is a left-side view of FIG. 10;  
 FIG. 18 is a right-side view of FIG. 10;  
 FIG. 19 is a front perspective view of a third embodiment thereof;  
 FIG. 20 is another front perspective view of FIG. 19;  
 FIG. 21 is a rear perspective view of FIG. 19;  
 FIG. 22 is another rear perspective view of FIG. 19;  
 FIG. 23 is a top plan view of FIG. 19;  
 FIG. 24 is a front view of FIG. 19;  
 FIG. 25 is a rear view of FIG. 19;  
 FIG. 26 is a left-side view of FIG. 19;  
 FIG. 27 is a right-side view of FIG. 19;  
 FIG. 28 is a front perspective view of a fourth embodiment thereof;  
 FIG. 29 is another front perspective view of FIG. 28;  
 FIG. 30 is a rear perspective view of FIG. 28;  
 FIG. 31 is another rear perspective view of FIG. 28;  
 FIG. 32 is a top plan view of FIG. 28;  
 FIG. 33 is a front view of FIG. 28;  
 FIG. 34 is a rear view of FIG. 28;  
 FIG. 35 is a left-side view of FIG. 28; and,  
 FIG. 36 is a right-side view of FIG. 28.

The broken lines are included for the purpose of illustrating unclaimed subject matter only and form no part of the claimed design.

**1 Claim, 28 Drawing Sheets**



(56)

**References Cited**

U.S. PATENT DOCUMENTS

5,934,673	A *	8/1999	Telarico et al. ....	273/246	D597,361	S *	8/2009	Smith, Jr. ....	D6/597
D420,400	S *	2/2000	Dunagin, III ....	D21/357	D597,362	S *	8/2009	Smith, Jr. ....	D6/597
D488,335	S *	4/2004	Kerr ....	D6/511	D600,044	S *	9/2009	Lester et al. ....	D6/388
D561,401	S *	2/2008	Martin et al. ....	D30/118	8,539,909	B2 *	9/2013	Williams ....	119/28.5
D572,936	S *	7/2008	Lester et al. ....	D6/388	D696,472	S *	12/2013	Popkin et al. ....	D30/118
D588,391	S *	3/2009	Smith, Jr. ....	D6/597	D699,900	S *	2/2014	Popkin et al. ....	D30/118
					2008/0022935	A1 *	1/2008	Fine ....	119/28.5
					2008/0235869	A1 *	10/2008	Steffes ....	5/282.1
					2011/0239946	A1 *	10/2011	Ogle ....	119/28.5

\* cited by examiner



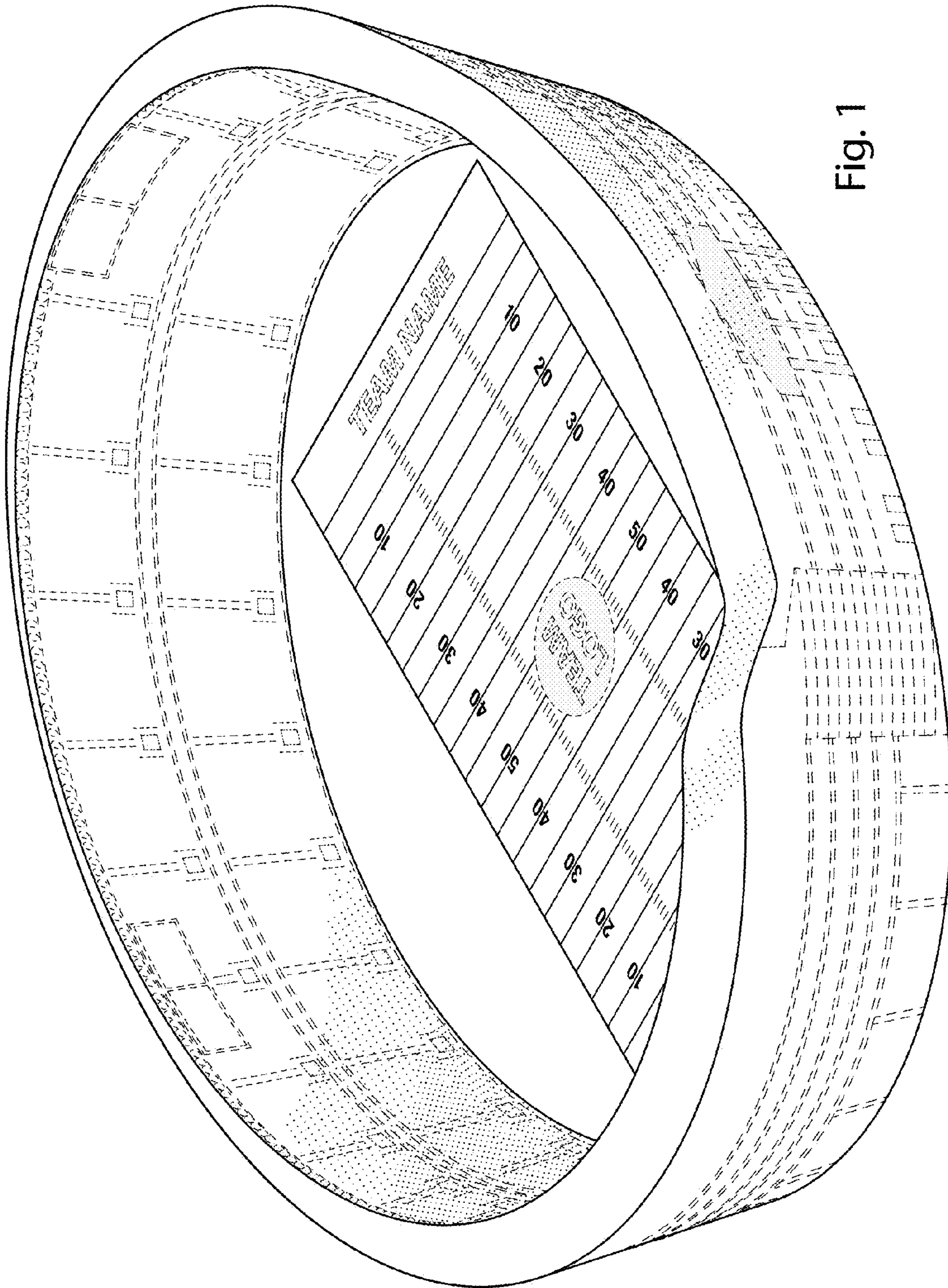


Fig. 1

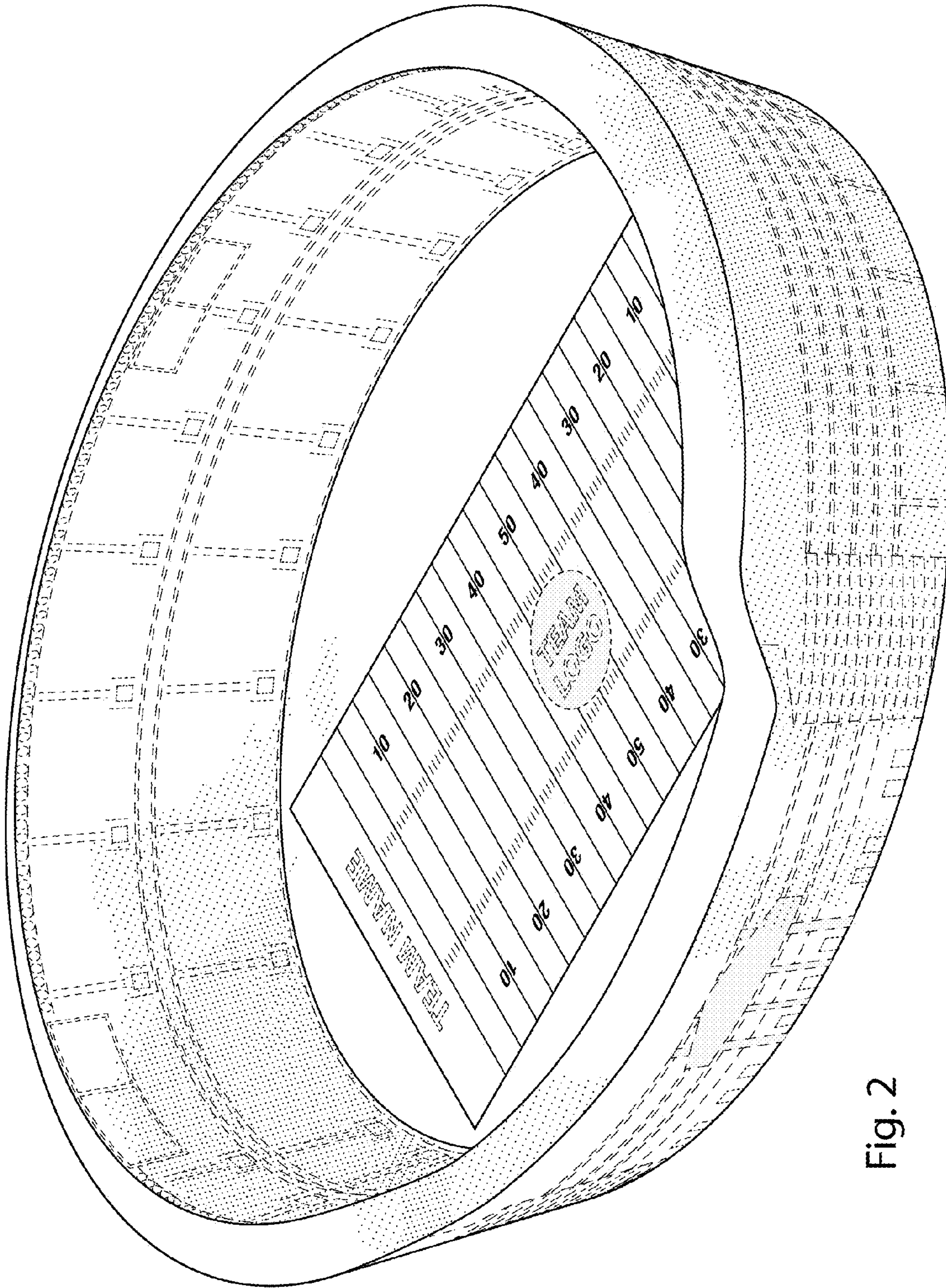


Fig. 2



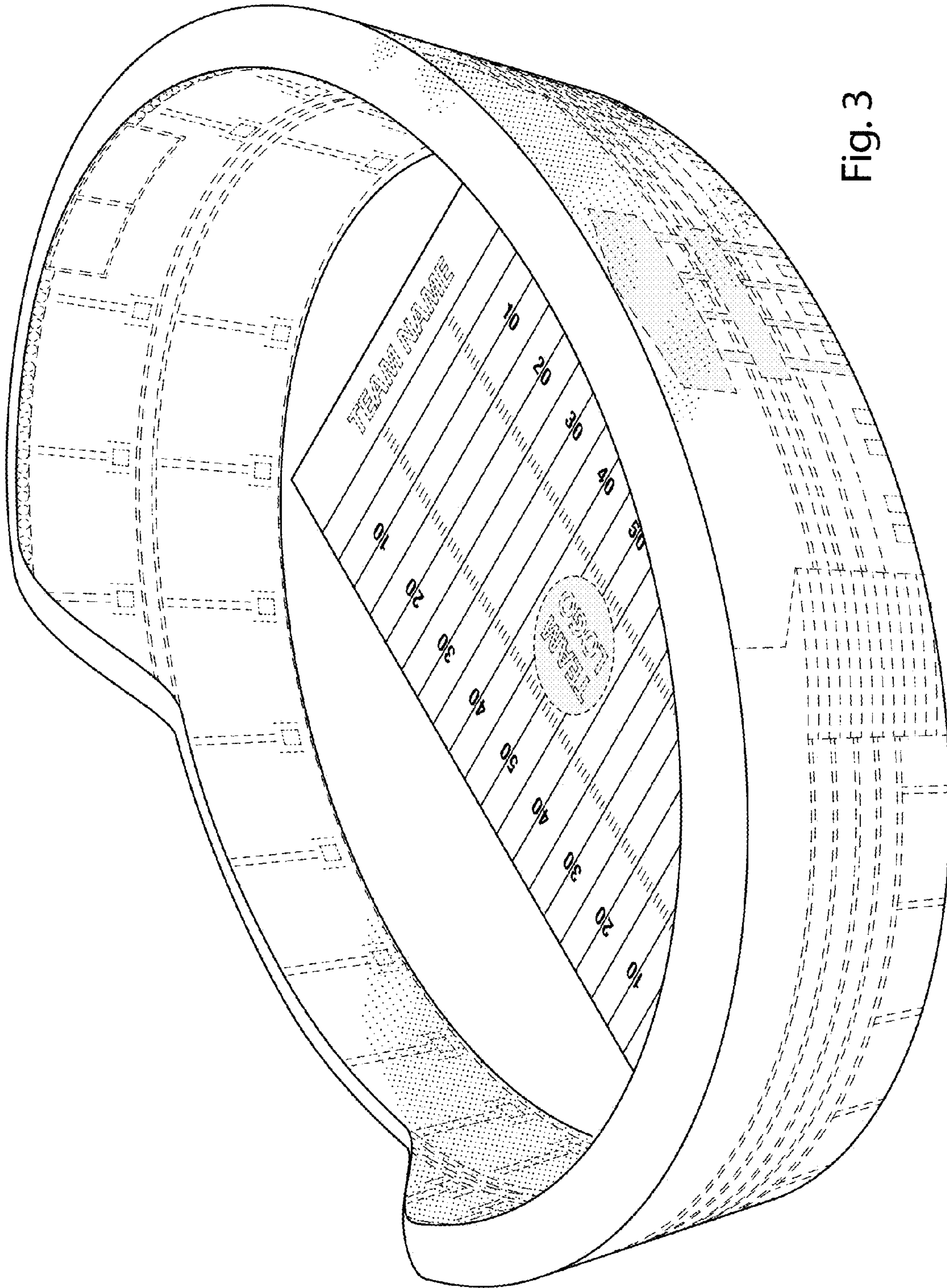


Fig. 3

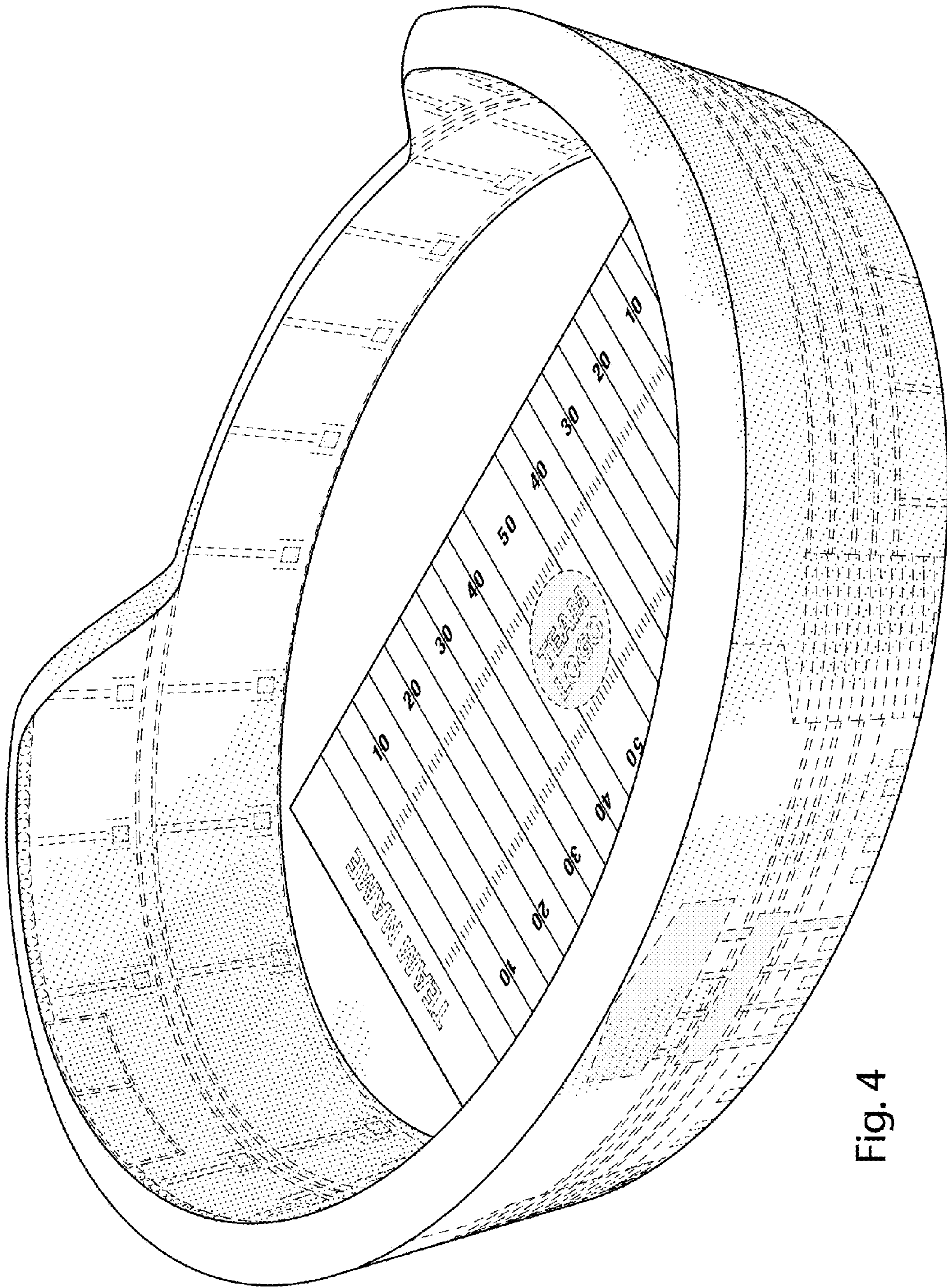


Fig. 4



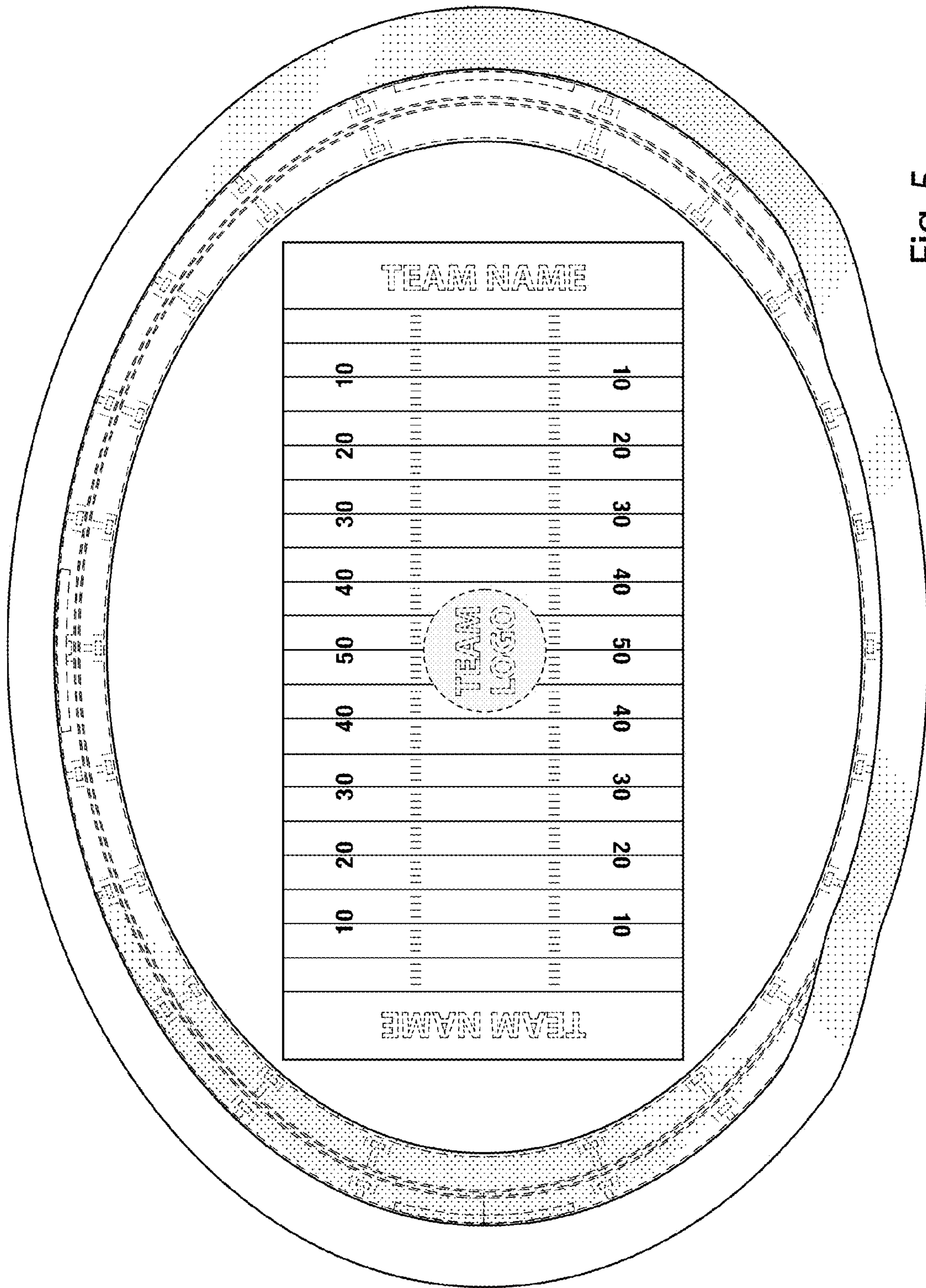


Fig. 5

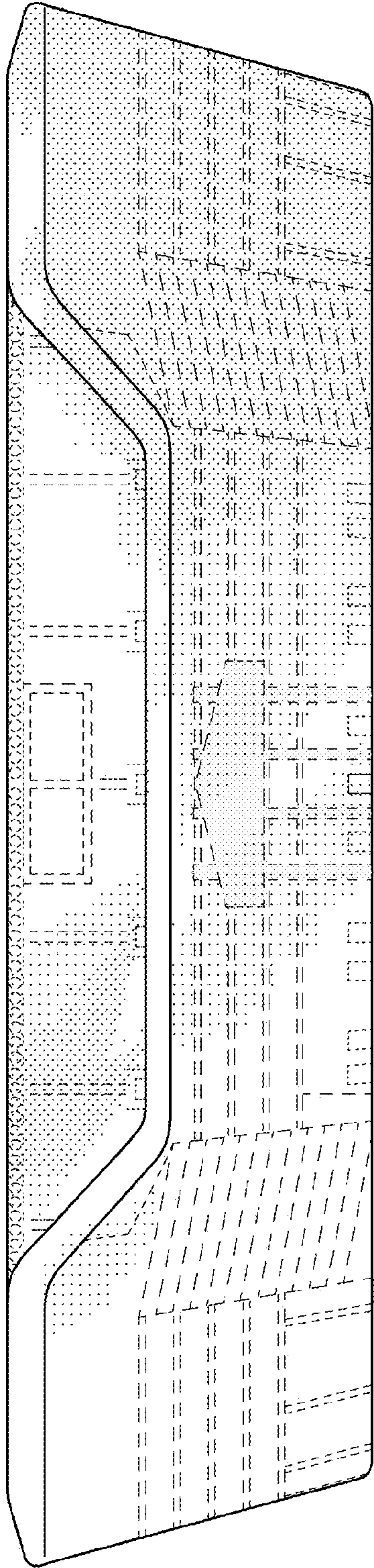


Fig. 6

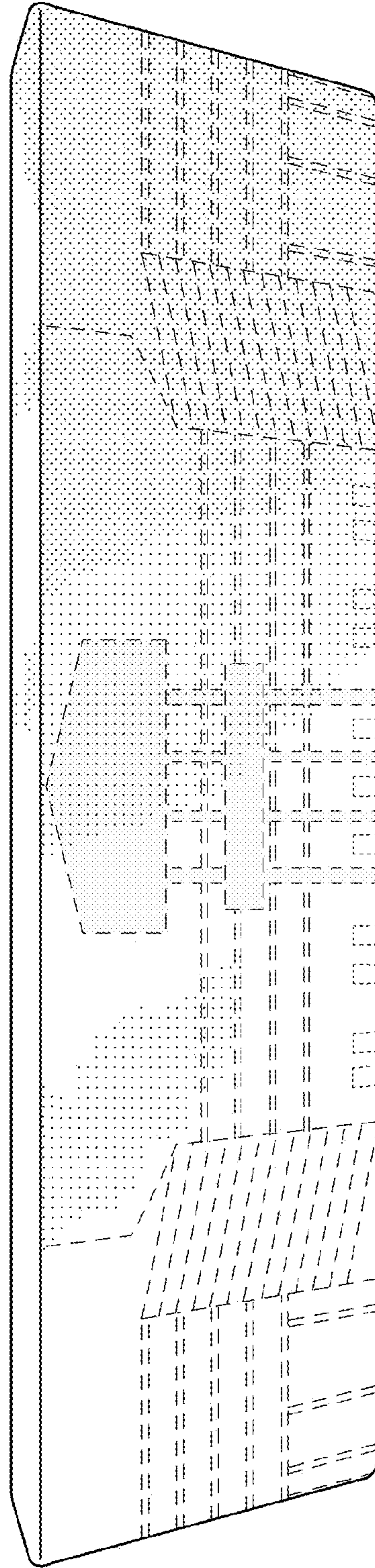


Fig. 7



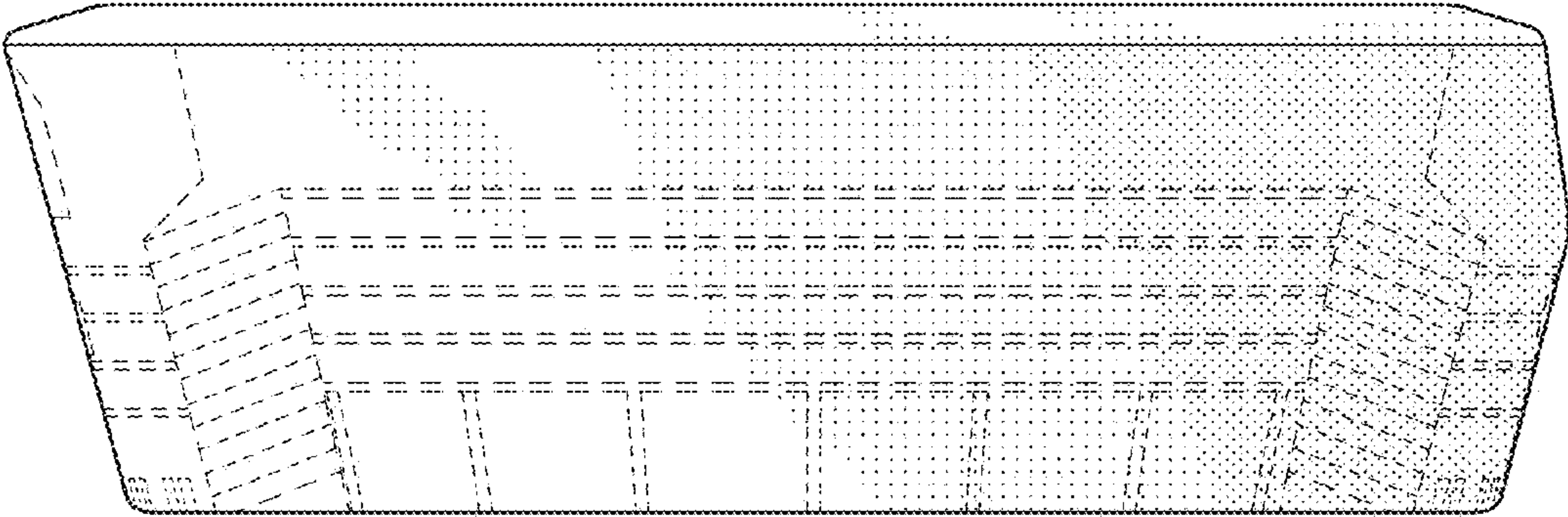


Fig. 8

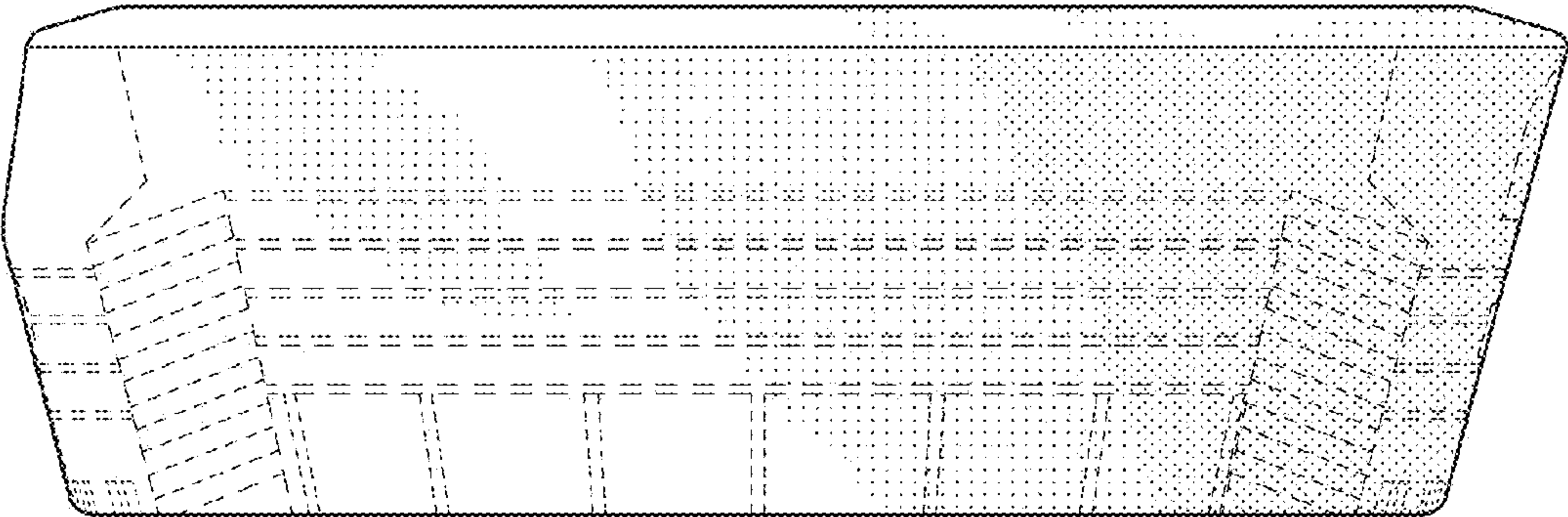


Fig. 9

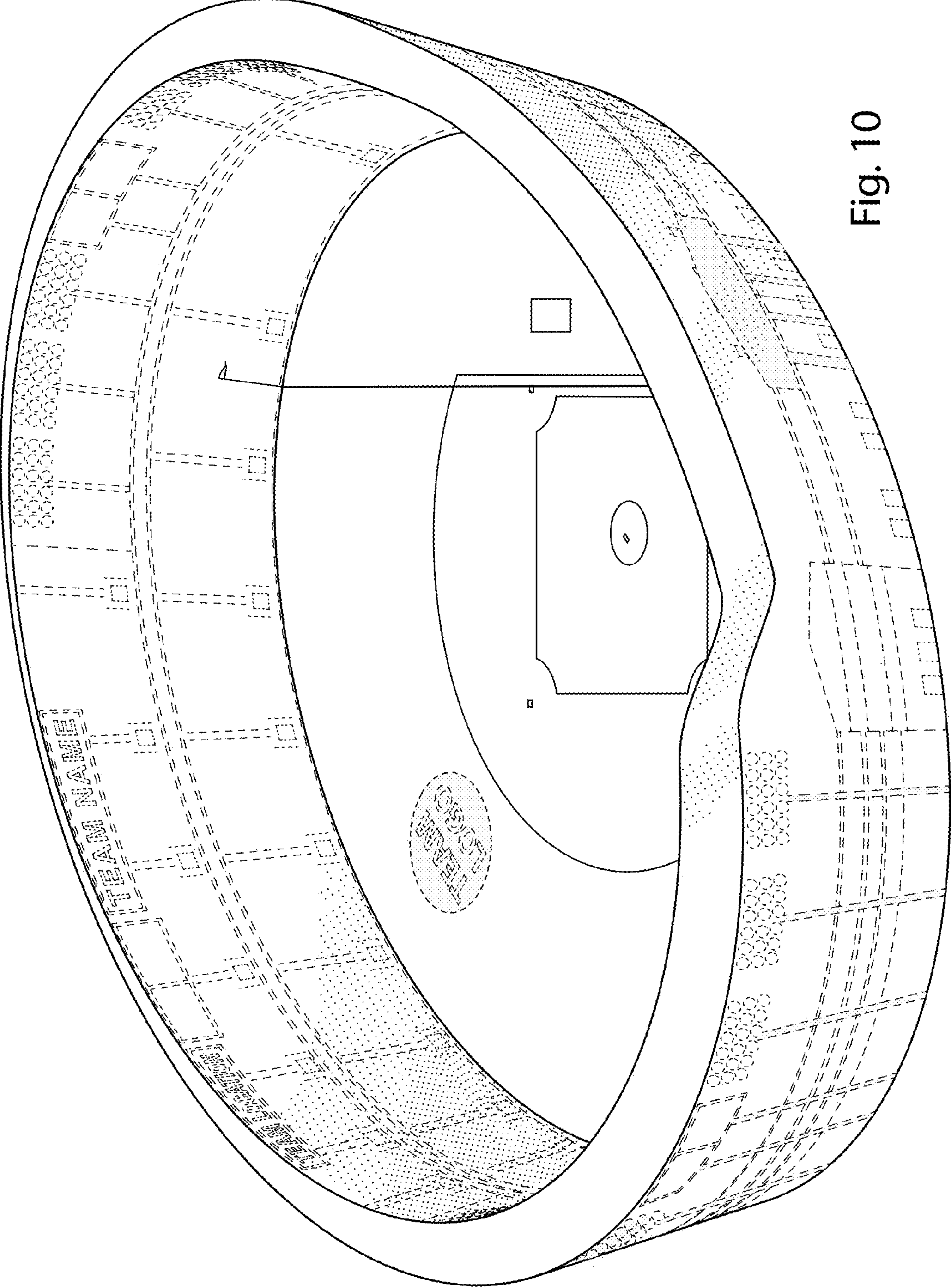


Fig. 10



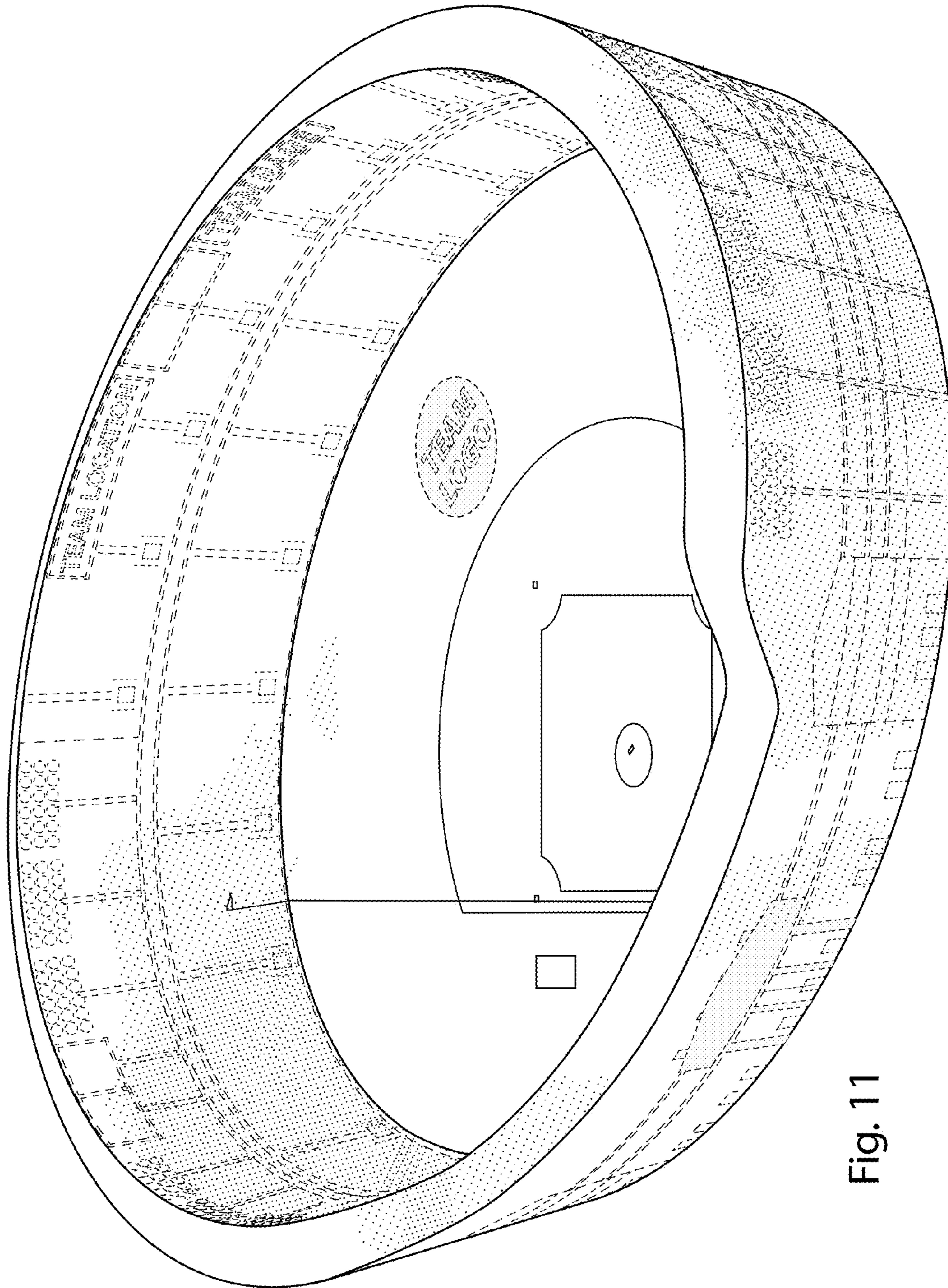


Fig. 11

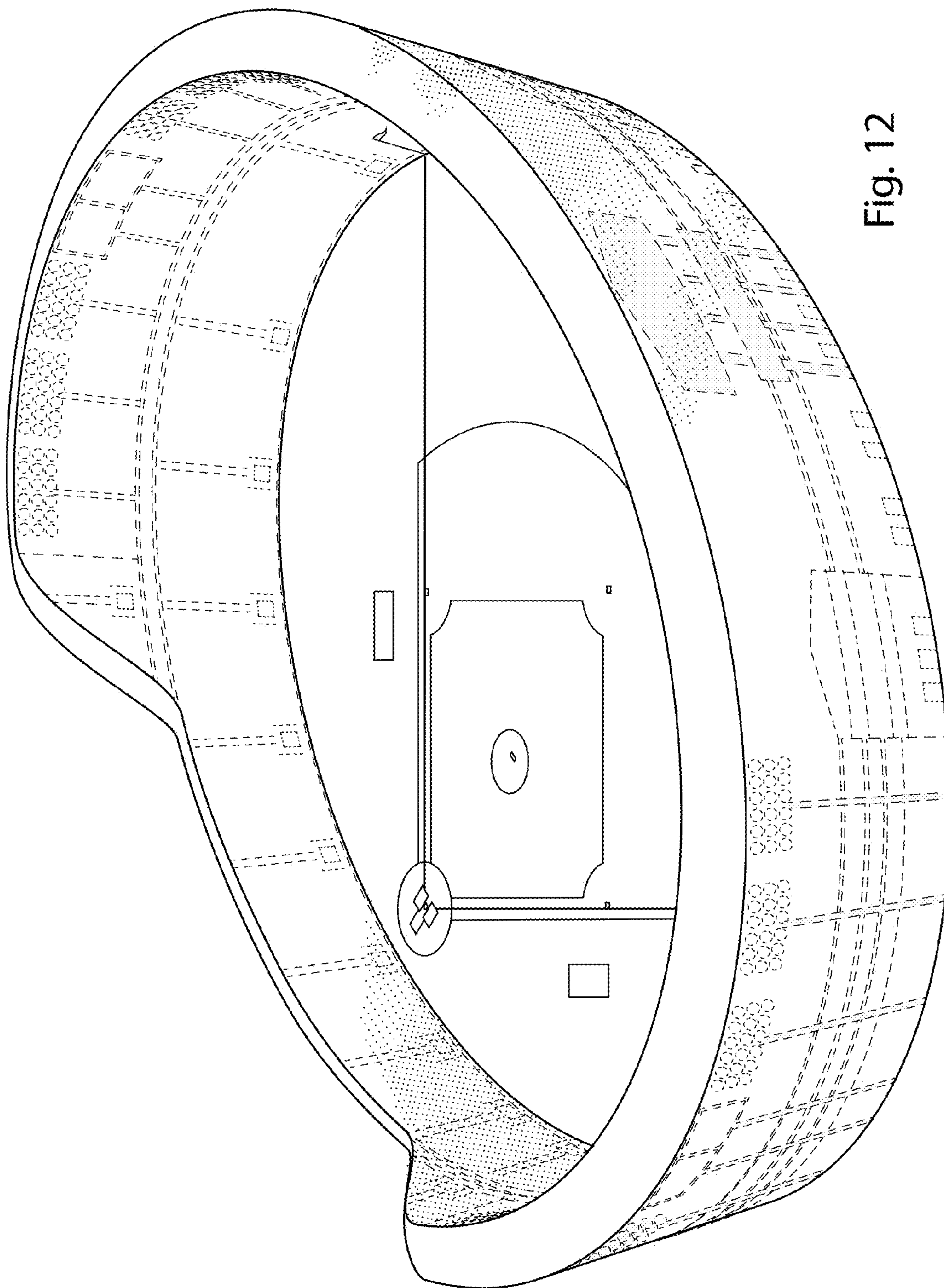


Fig. 12



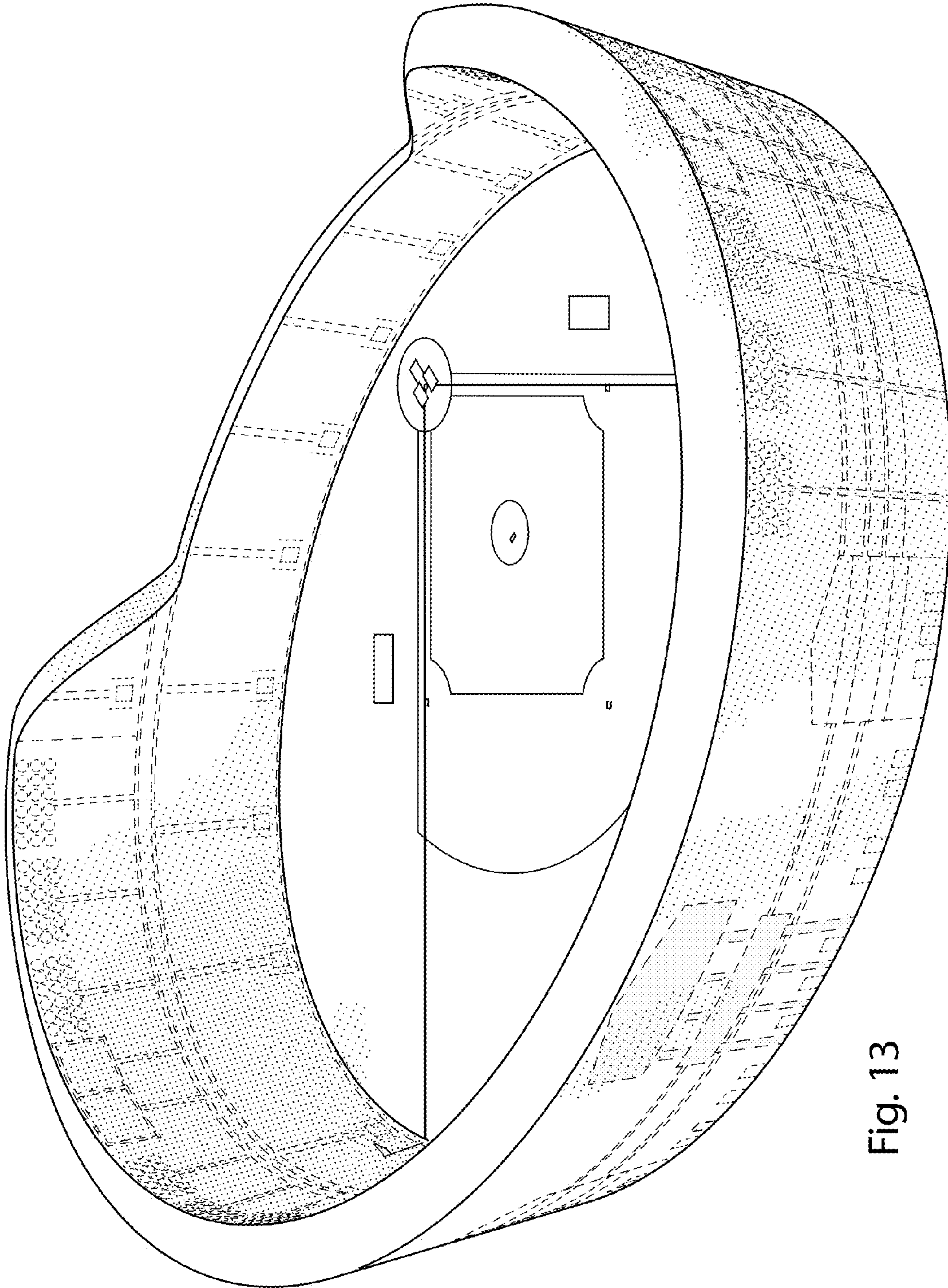


Fig. 13

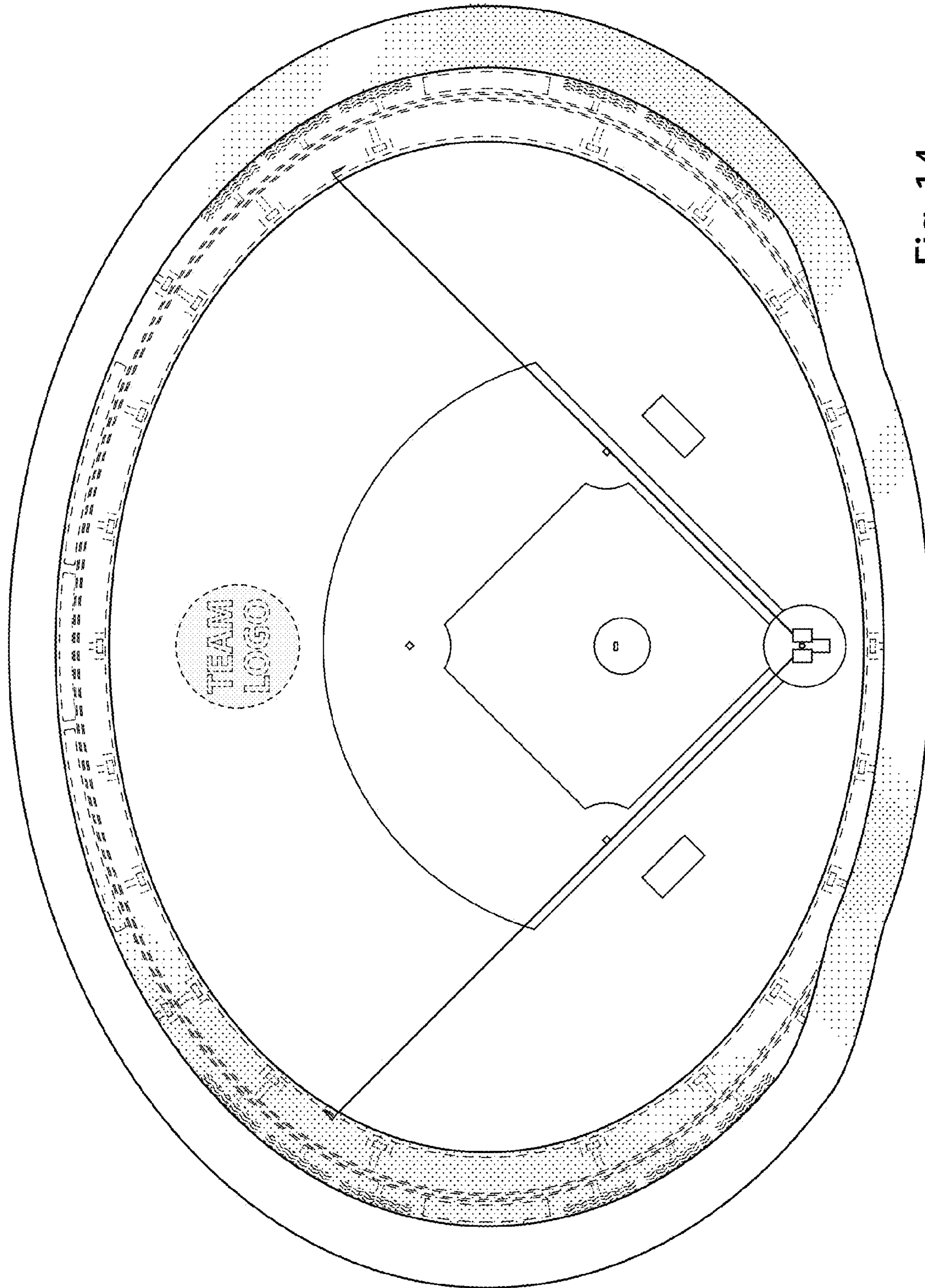


Fig. 14



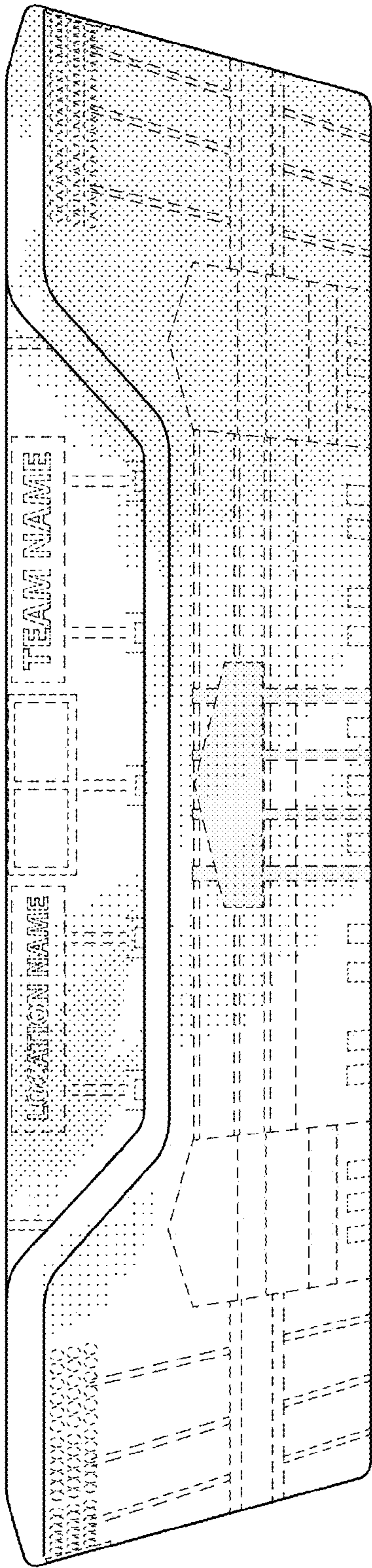


Fig. 15

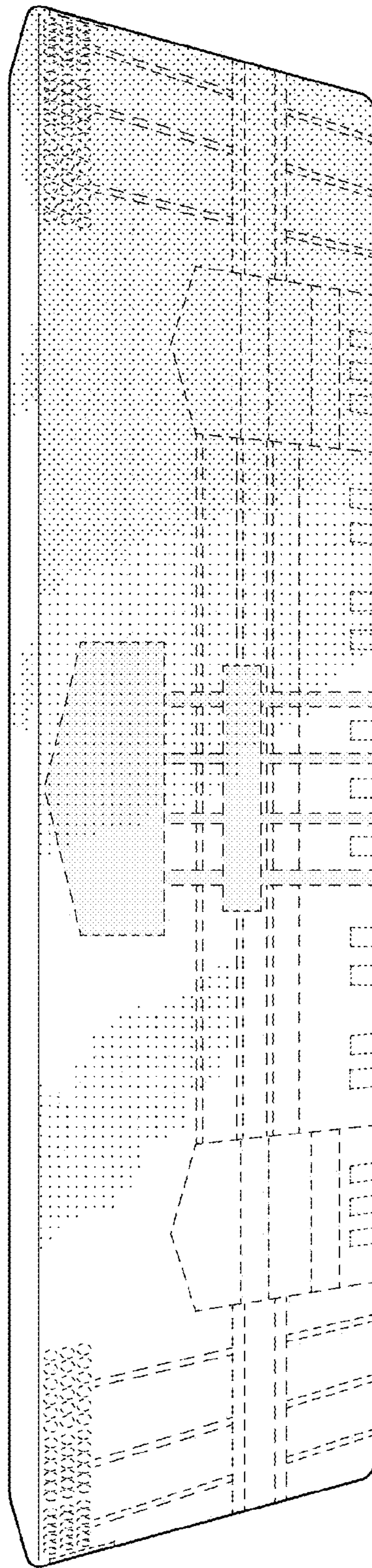


Fig. 16

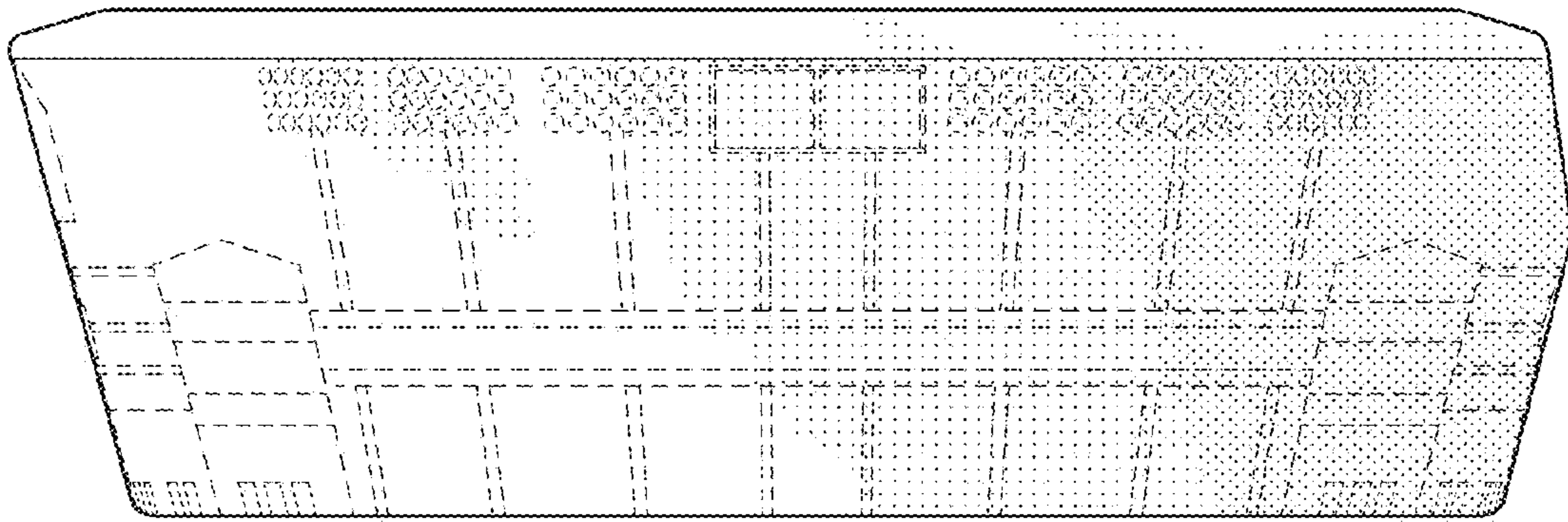


Fig. 17

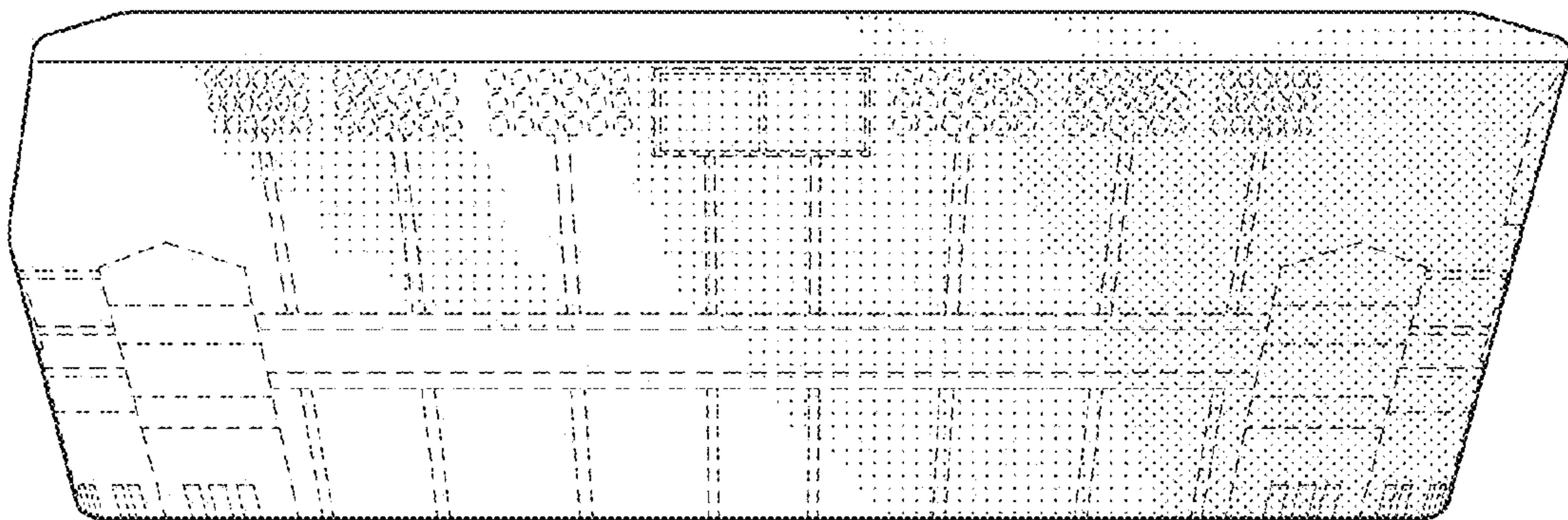


Fig. 18



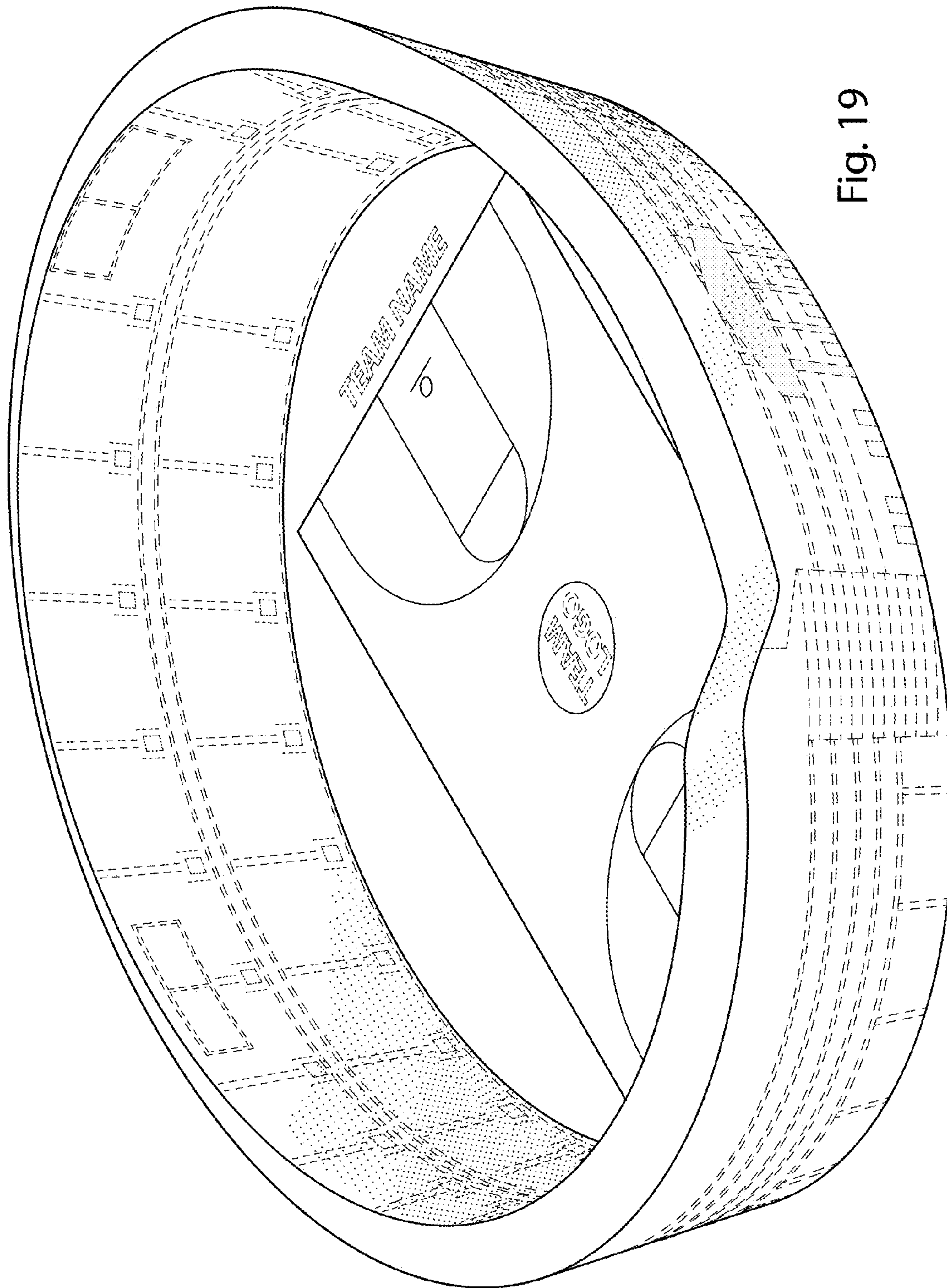


Fig. 19

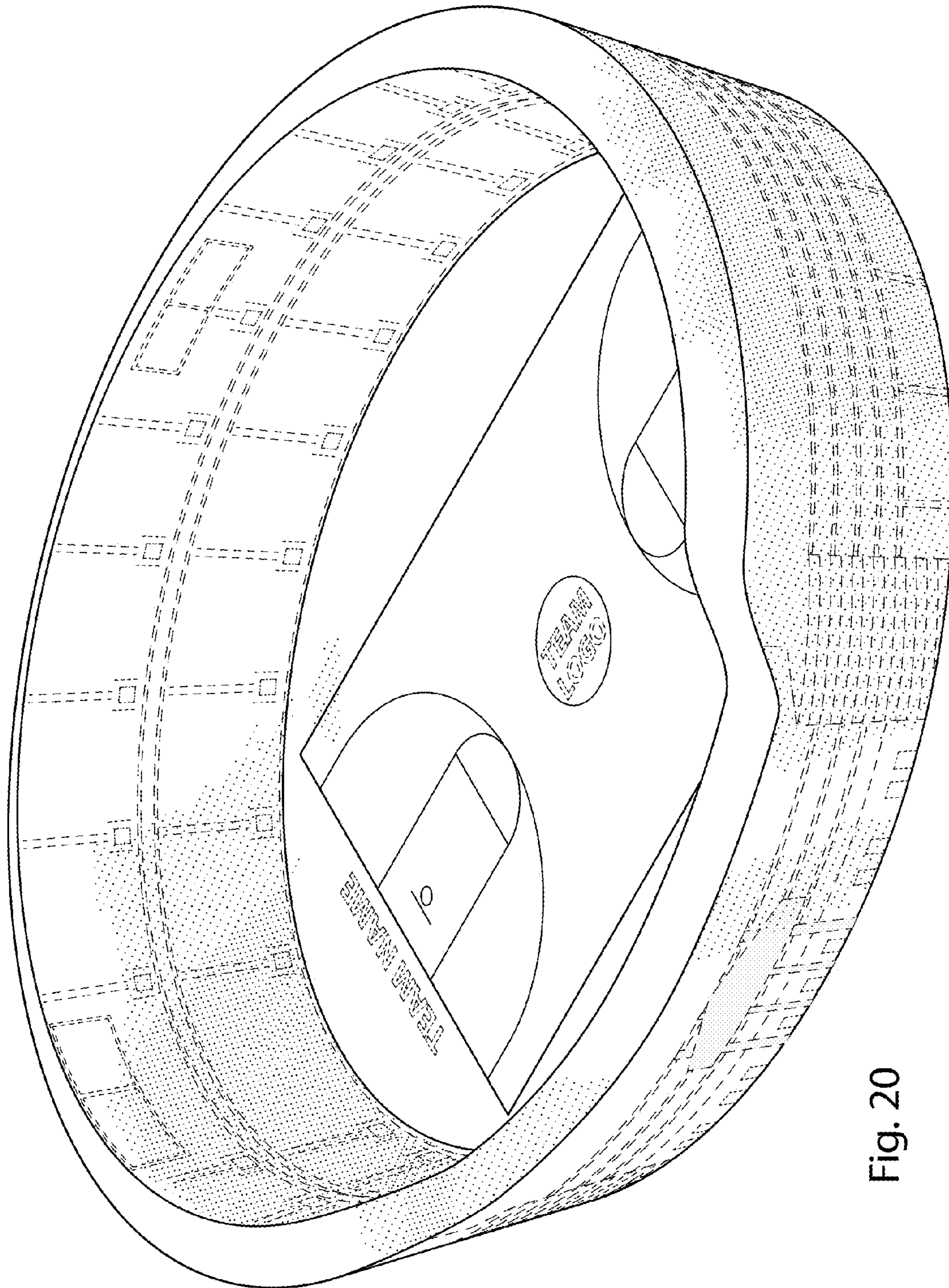


Fig. 20



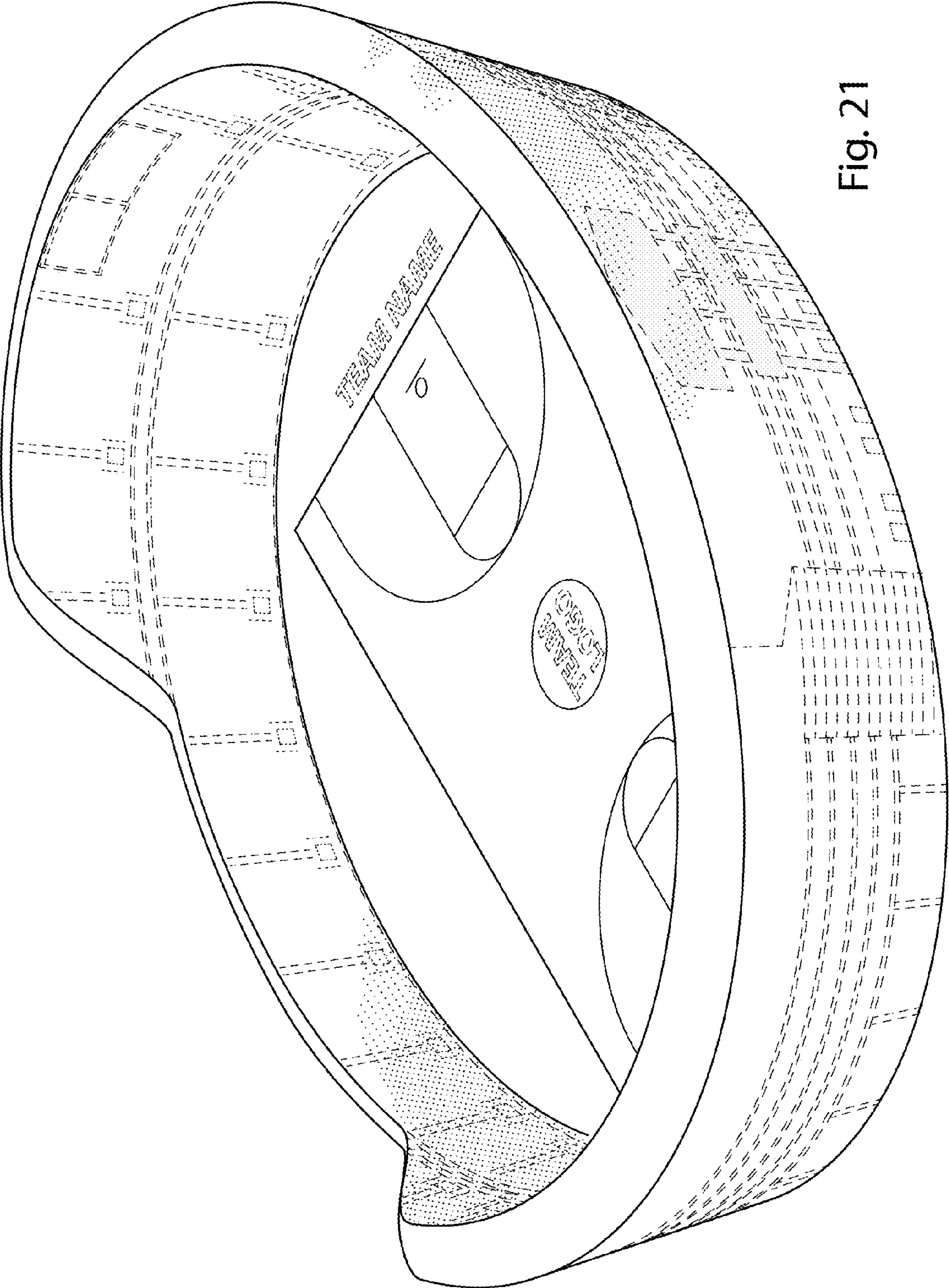


Fig. 21

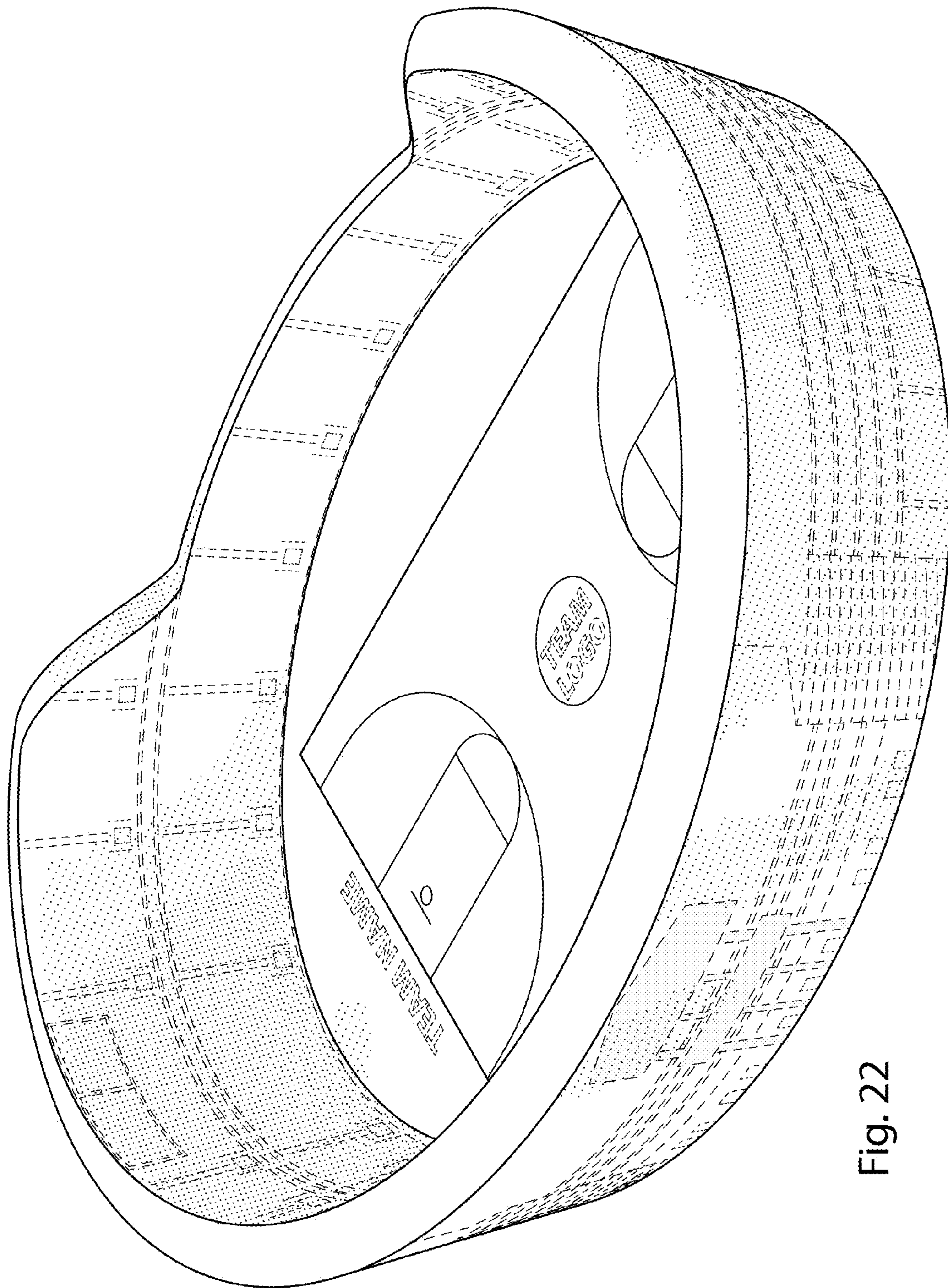


Fig. 22



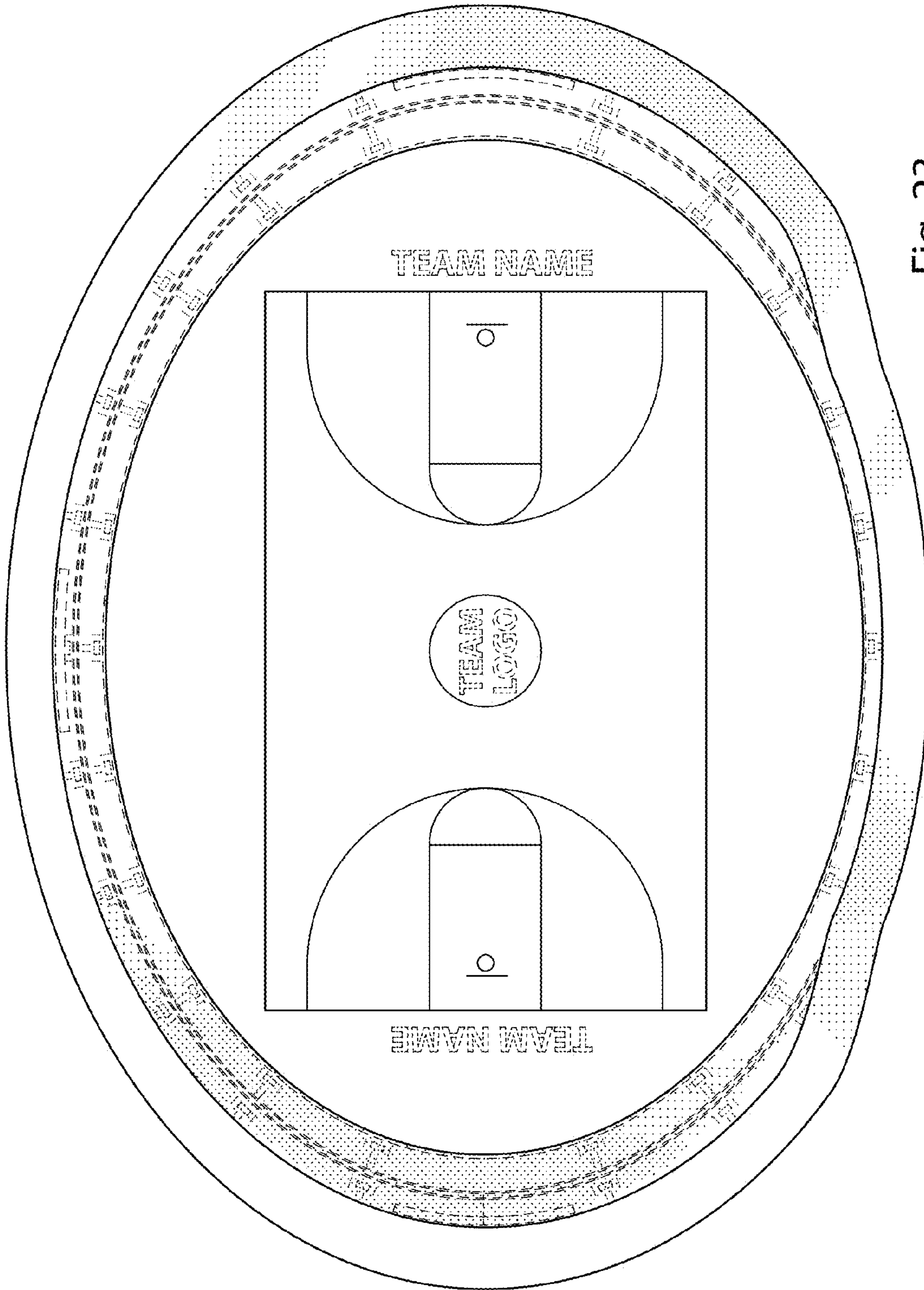


Fig. 23

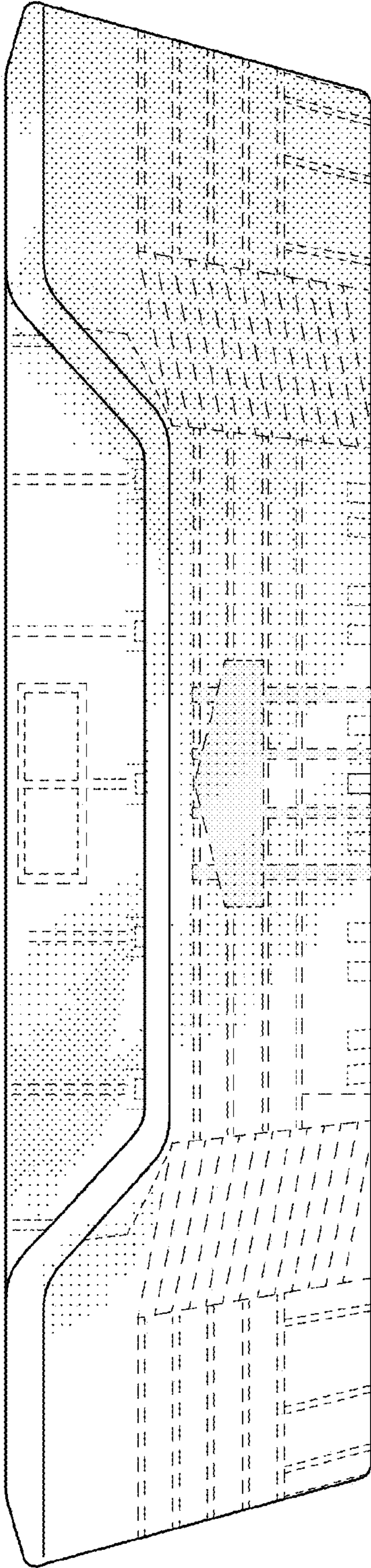


Fig. 24

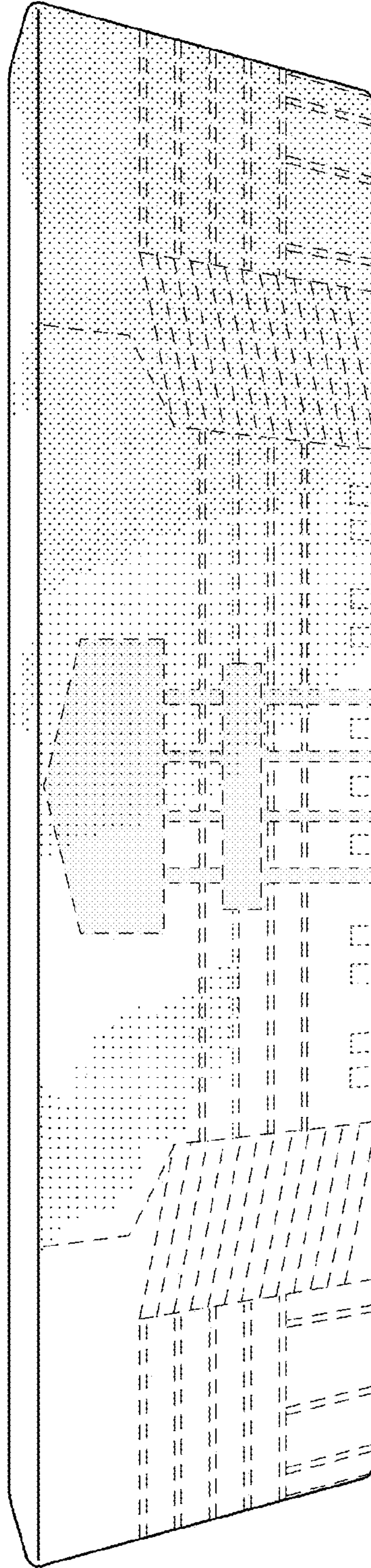


Fig. 25



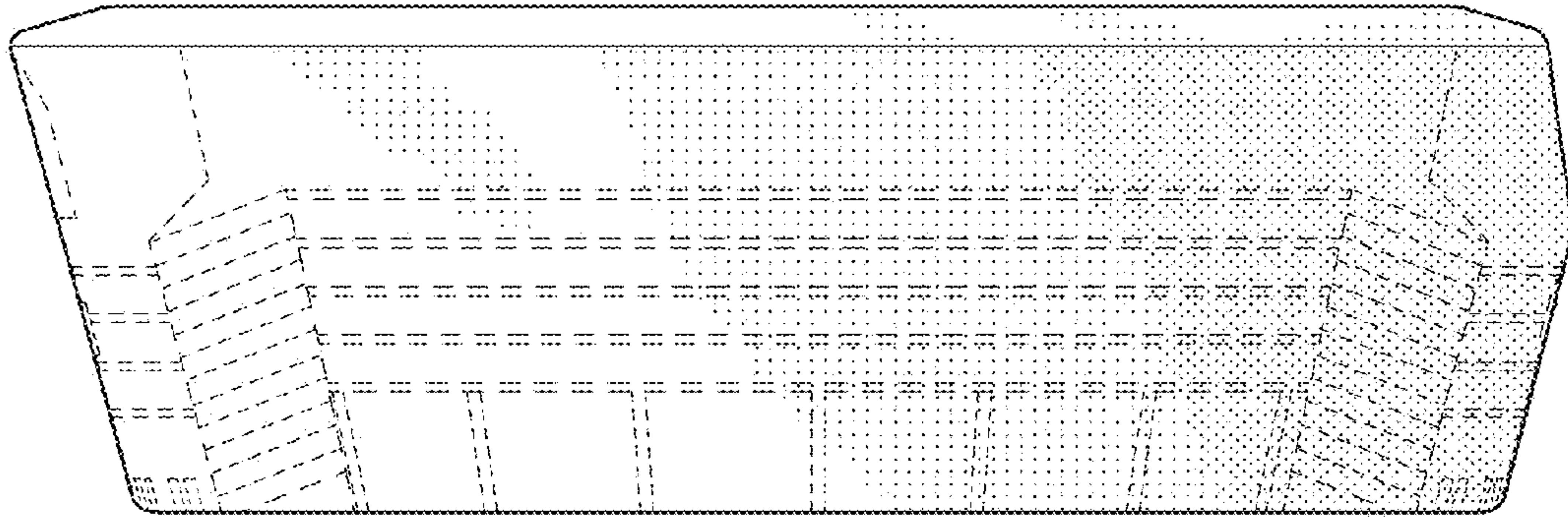


Fig. 26

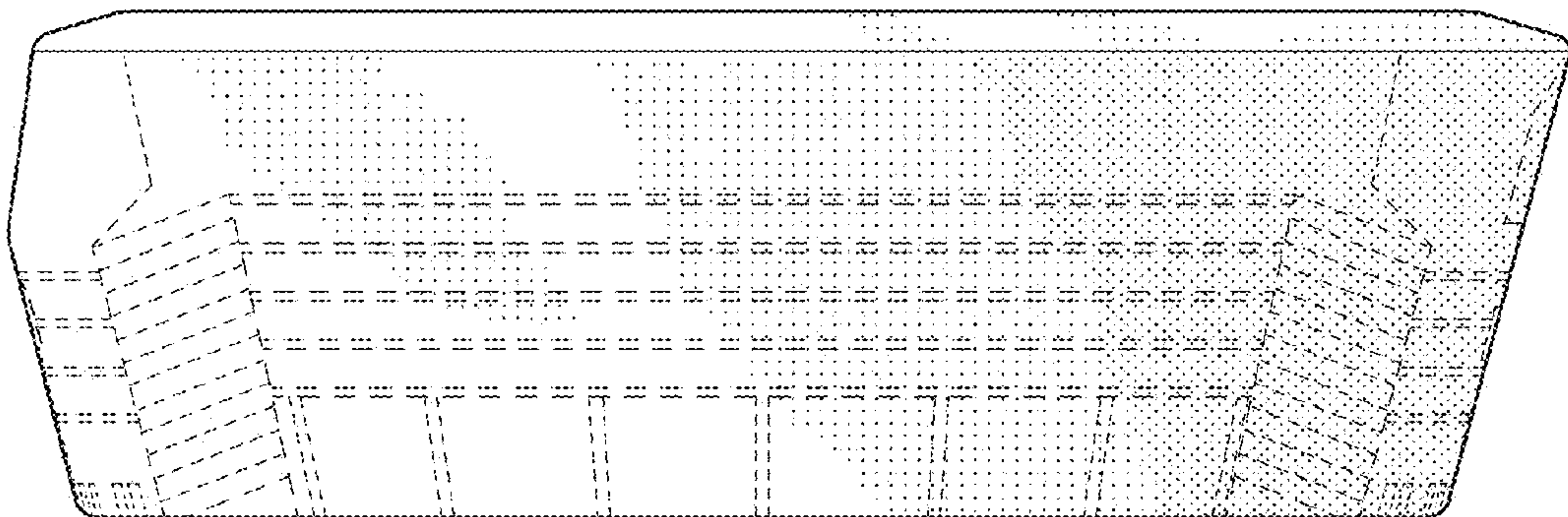


Fig. 27

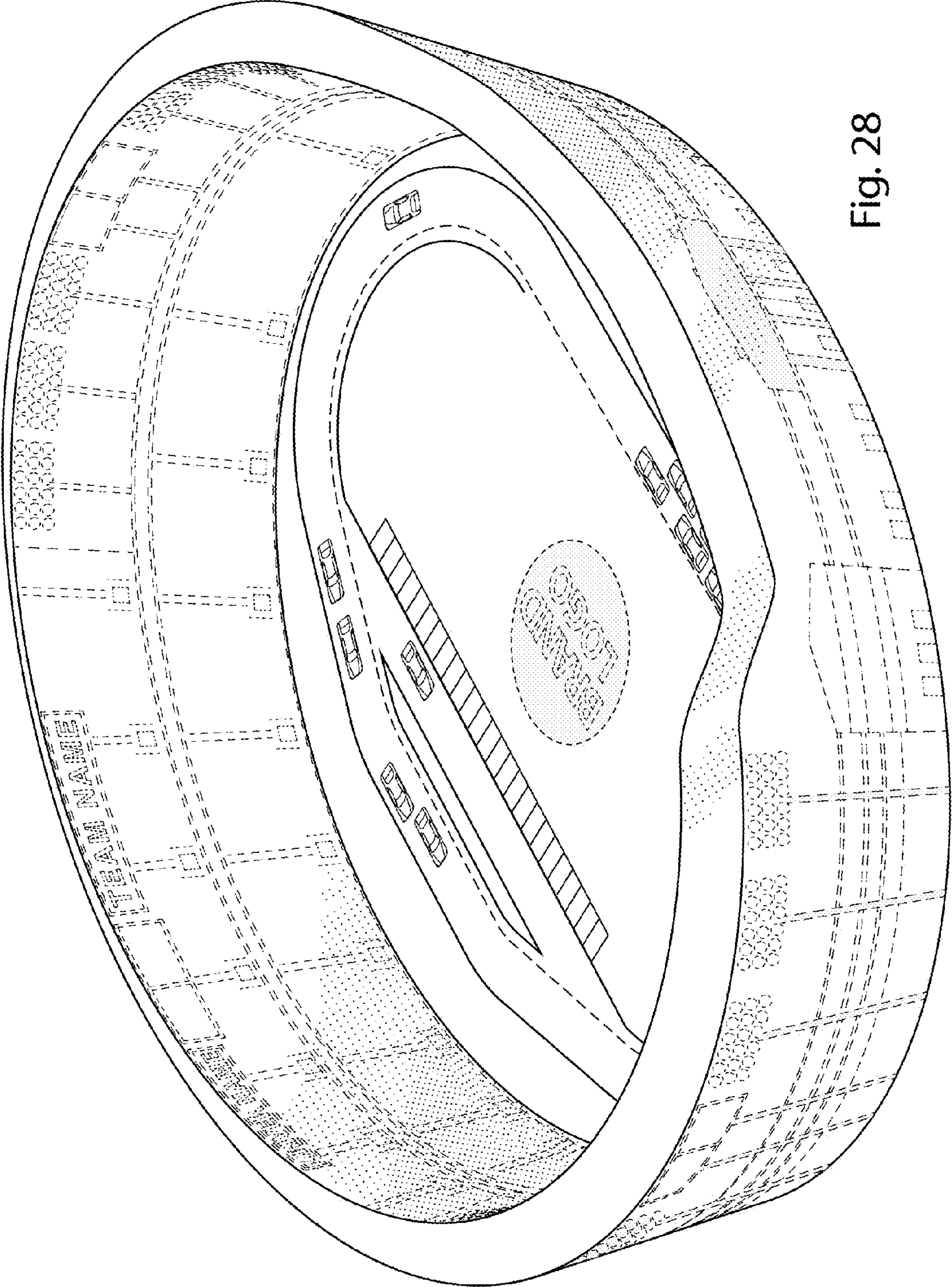


Fig. 28



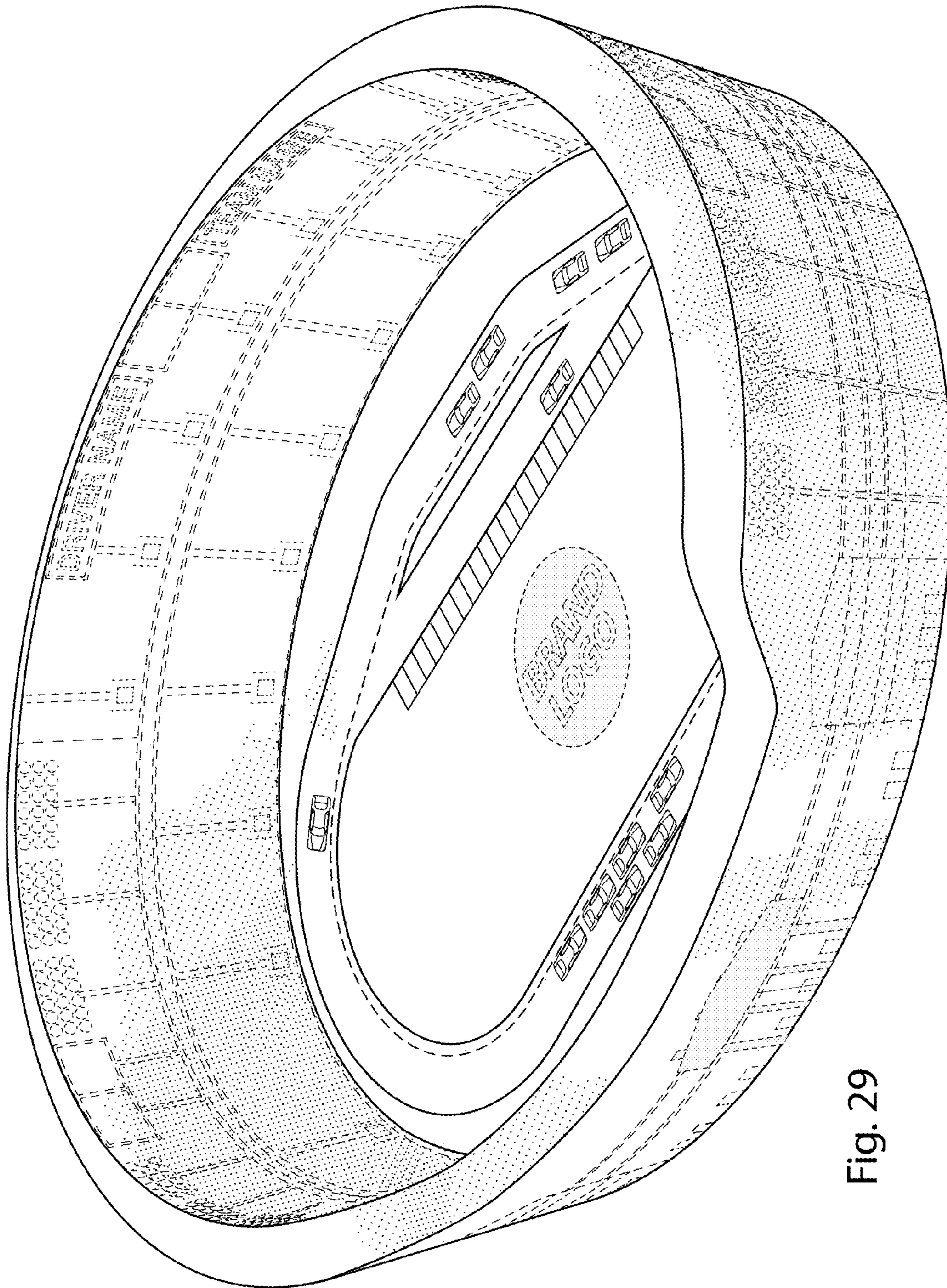


Fig. 29

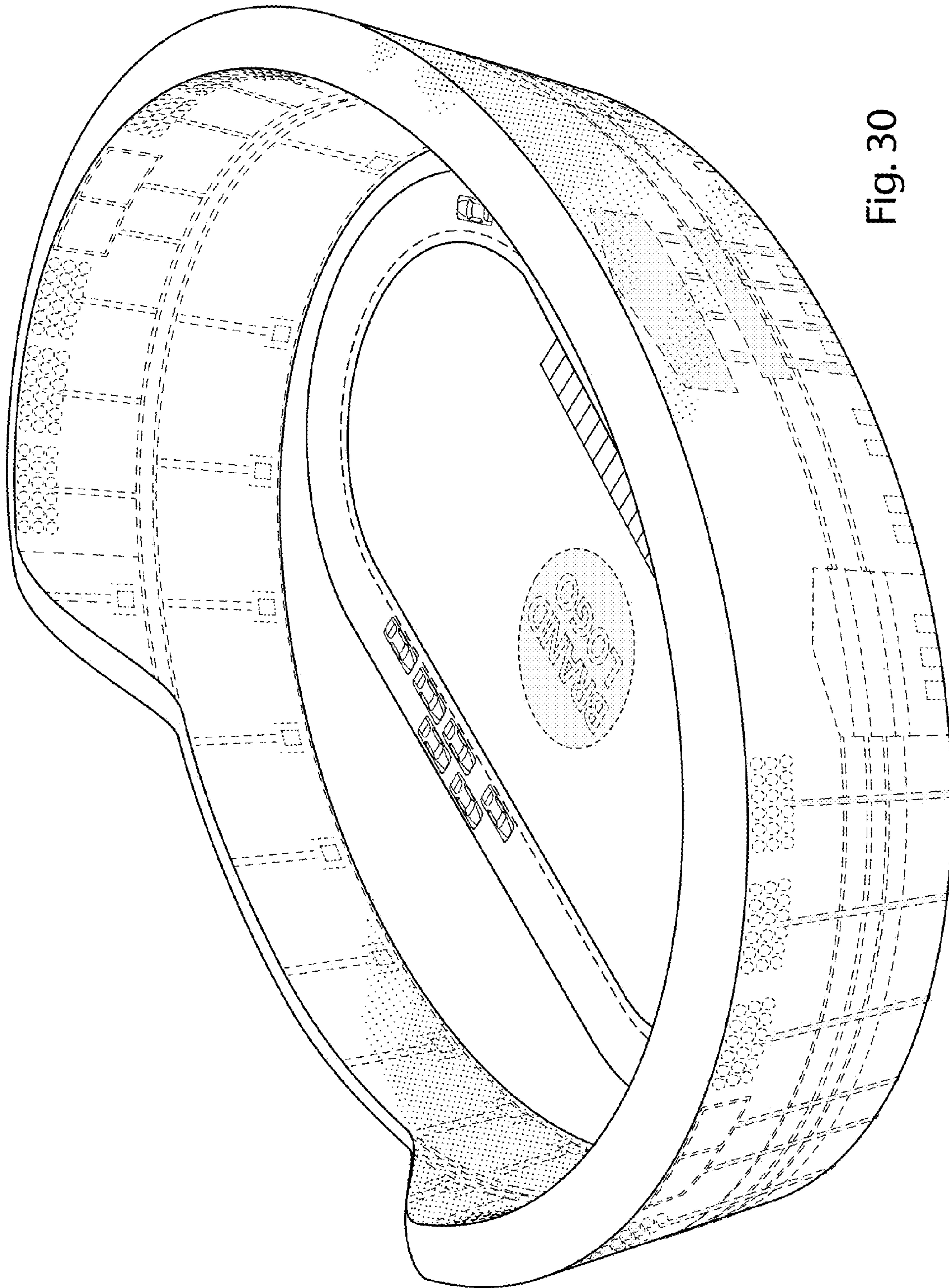


Fig. 30



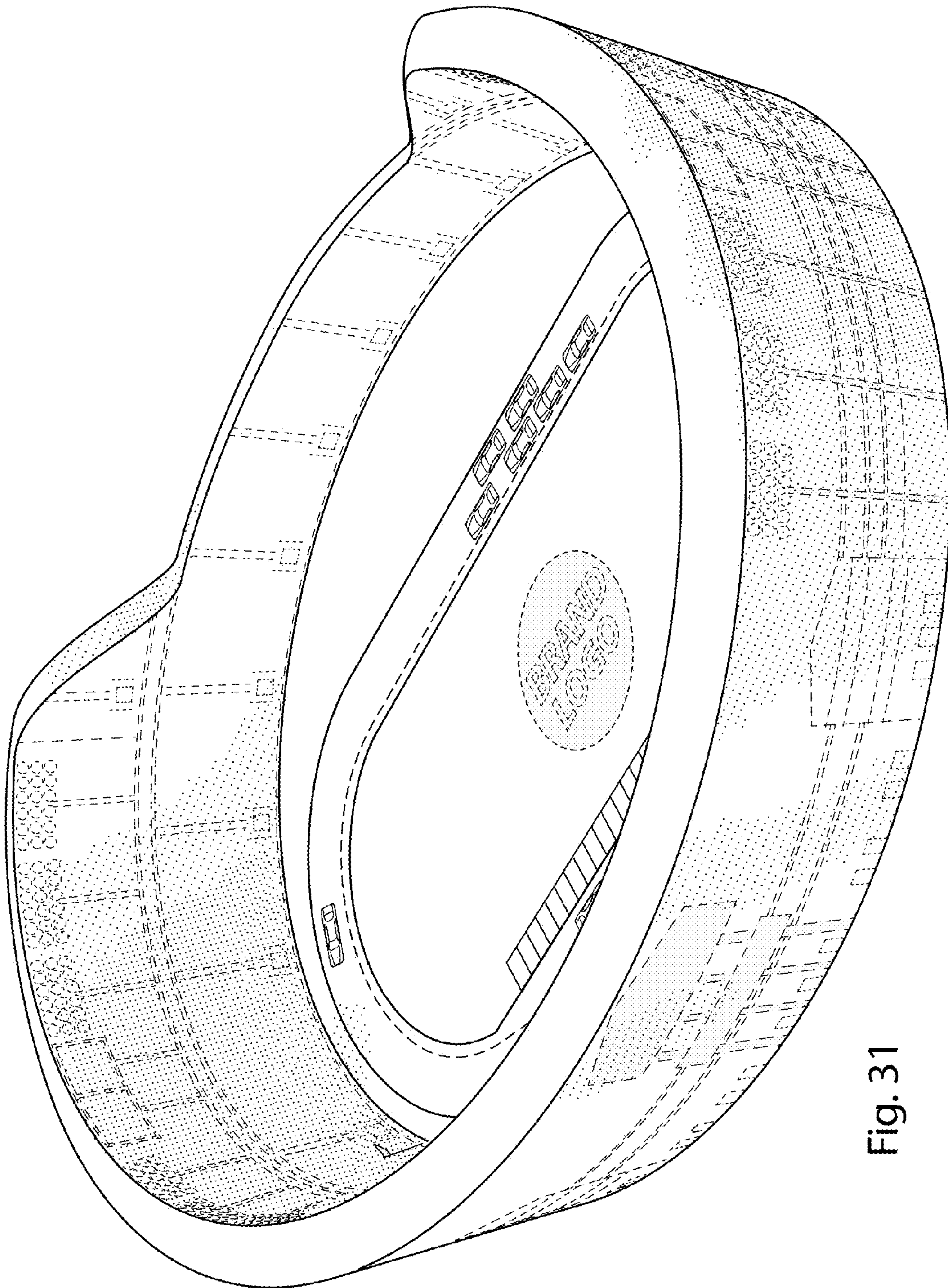


Fig. 31

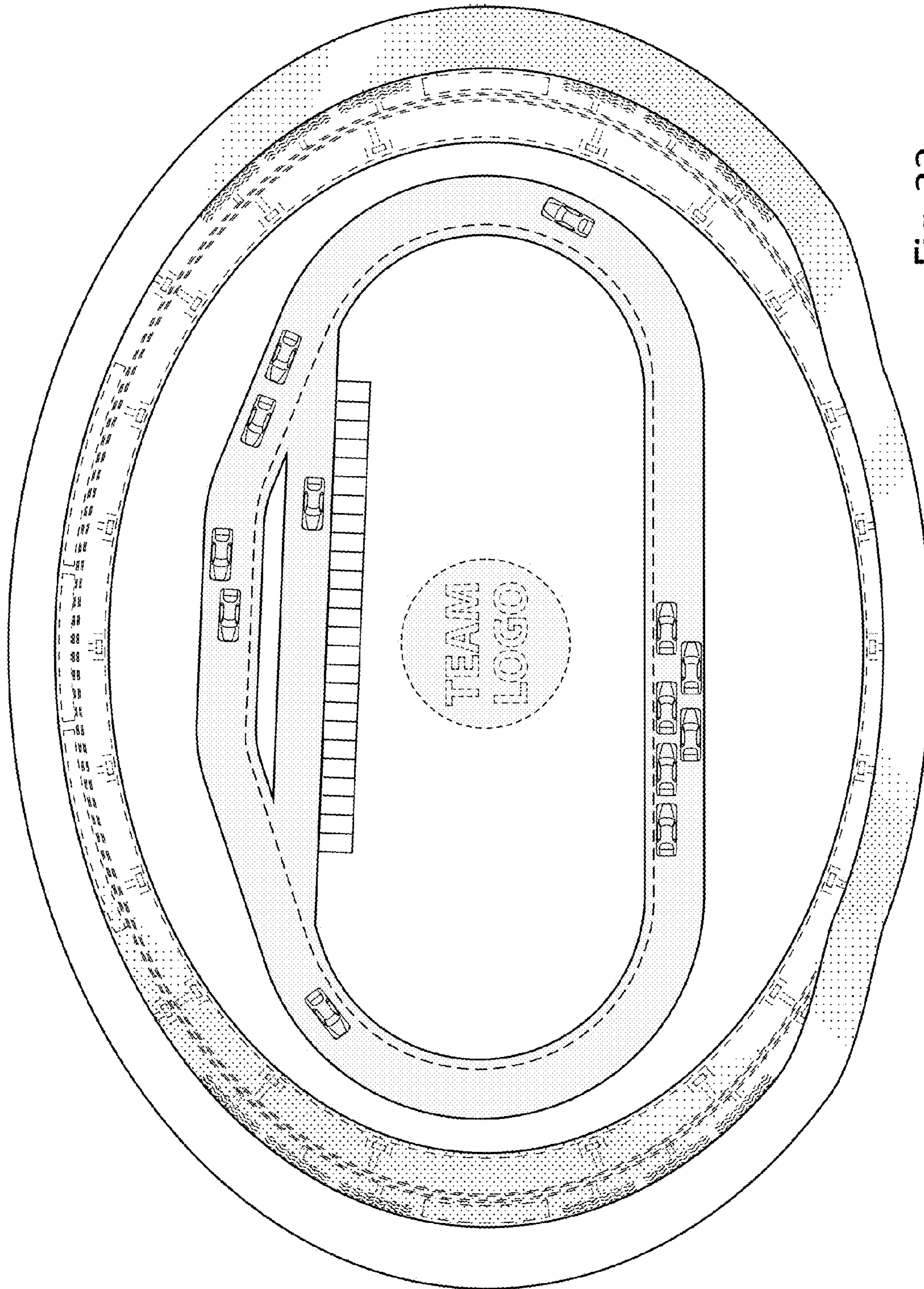


Fig. 32



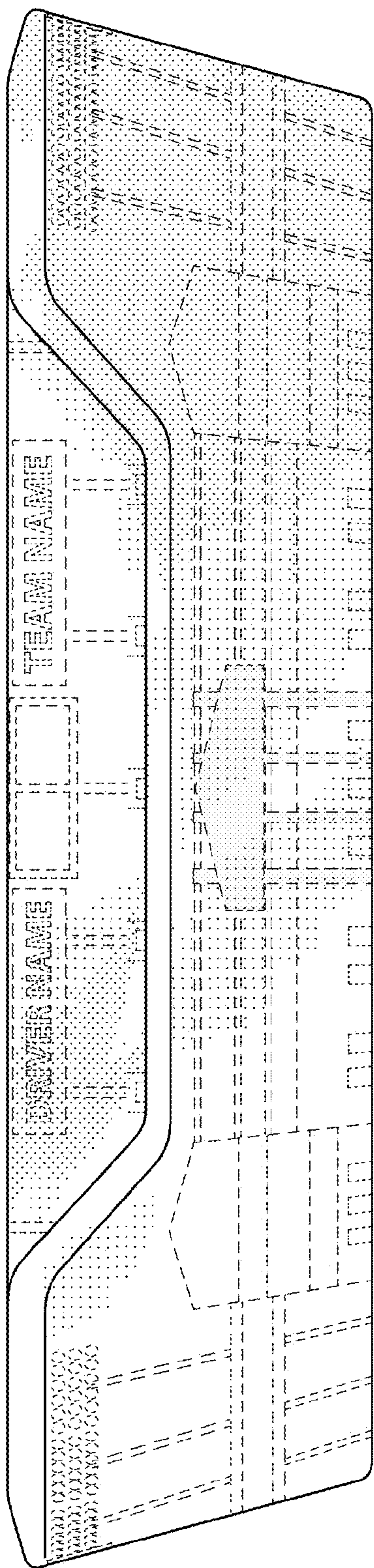


Fig. 33

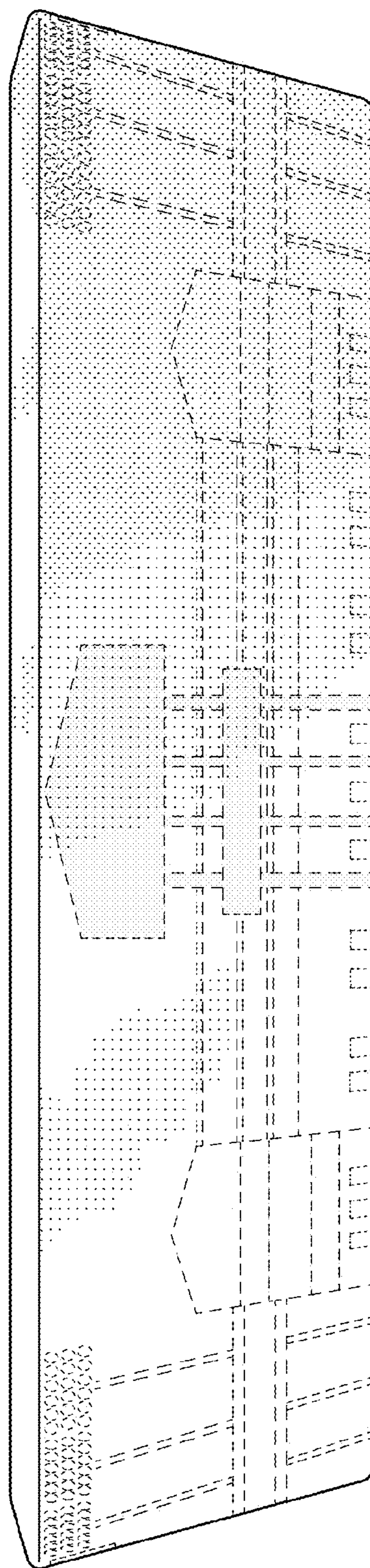


Fig. 34

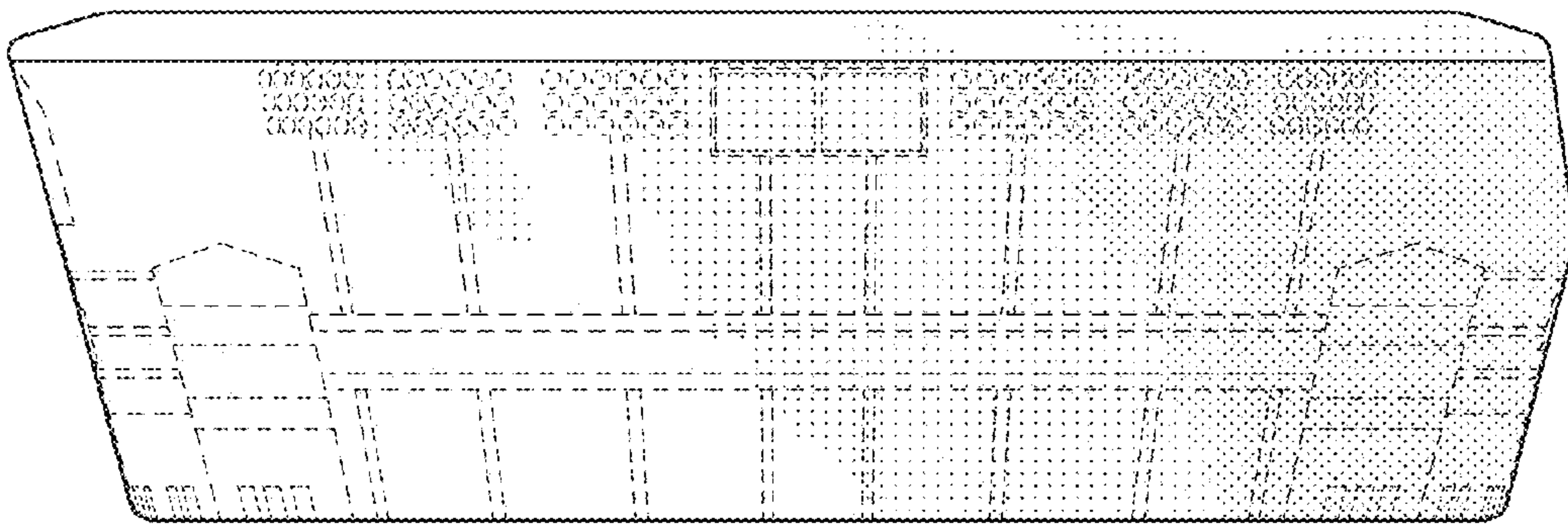


Fig. 35

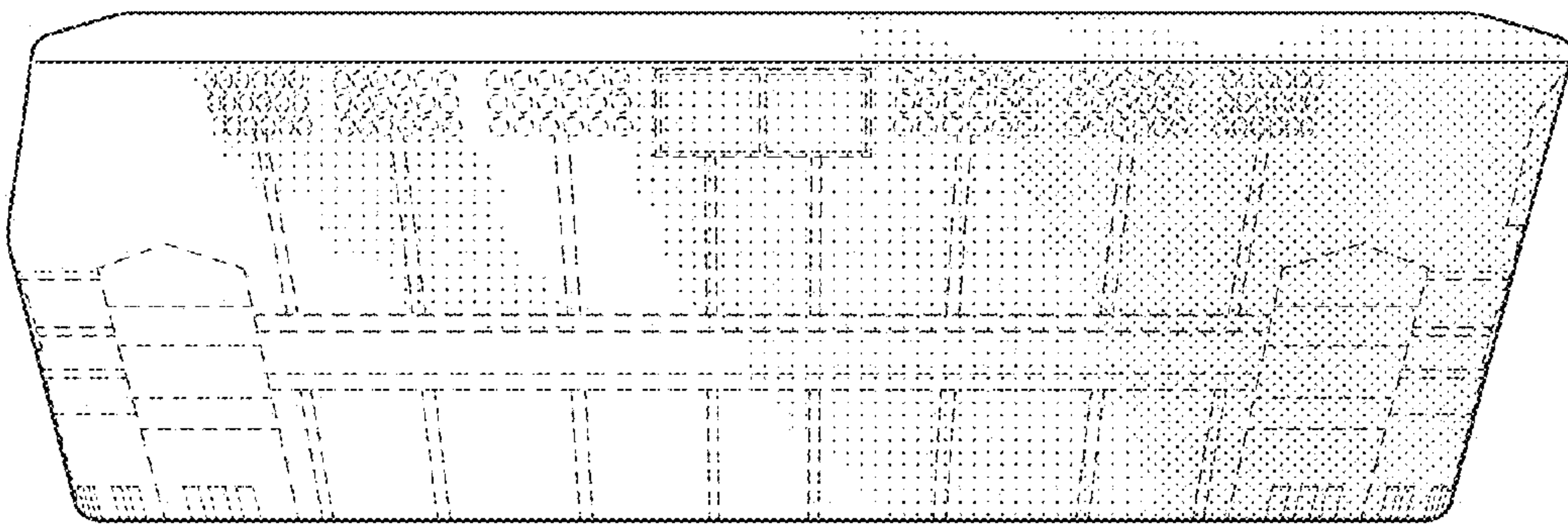


Fig. 36