

US00D728167S

(12) **United States Design Patent**
Renforth et al.

(10) **Patent No.:** **US D728,167 S**

(45) **Date of Patent:** **** Apr. 28, 2015**

(54) **PET CARRIER**

(56) **References Cited**

(71) Applicants: **Jack William Renforth**, Arlington, TX (US); **Ann Hanson**, Ionia, MI (US); **Paul Fair**, Denver, CO (US); **Jaime Kummerfeld**, Greeley, CO (US); **Roy Swanson**, Littleton, CO (US)

U.S. PATENT DOCUMENTS

5,813,445	A *	9/1998	Christman	190/1
D442,748	S *	5/2001	Farrugia	D30/109
D498,884	S *	11/2004	Metzger	D30/109
D549,400	S *	8/2007	Gold et al.	D30/109
7,694,788	B2 *	4/2010	Hann	190/1
D677,011	S *	2/2013	Cirincione et al.	D30/109

(72) Inventors: **Jack William Renforth**, Arlington, TX (US); **Ann Hanson**, Ionia, MI (US); **Paul Fair**, Denver, CO (US); **Jaime Kummerfeld**, Greeley, CO (US); **Roy Swanson**, Littleton, CO (US)

* cited by examiner

Primary Examiner — Cathy A MacCormac
(74) *Attorney, Agent, or Firm* — Eckert Seamans Cherin & Mellott, LLC; Brij K. Agarwal

(73) Assignee: **Doskocil Manufacturing Company, Inc.**, Arlington, TX (US)

(57) **CLAIM**
The ornamental design for a pet carrier, as shown and described.

(**) Term: **14 Years**

DESCRIPTION

(21) Appl. No.: **29/449,229**

FIG. 1 is a perspective view of the pet carrier; FIG. 2 is left side elevational view thereof; FIG. 3 is a front elevational view thereof; FIG. 4 is a right side elevational view thereof; FIG. 5 is a rear elevational view thereof; FIG. 6 is a top plan view thereof; and, FIG. 7 is a bottom plan view thereof.

(22) Filed: **Mar. 14, 2013**

(51) **LOC (10) Cl.** **30-02**

(52) **U.S. Cl.**
USPC **D30/109**

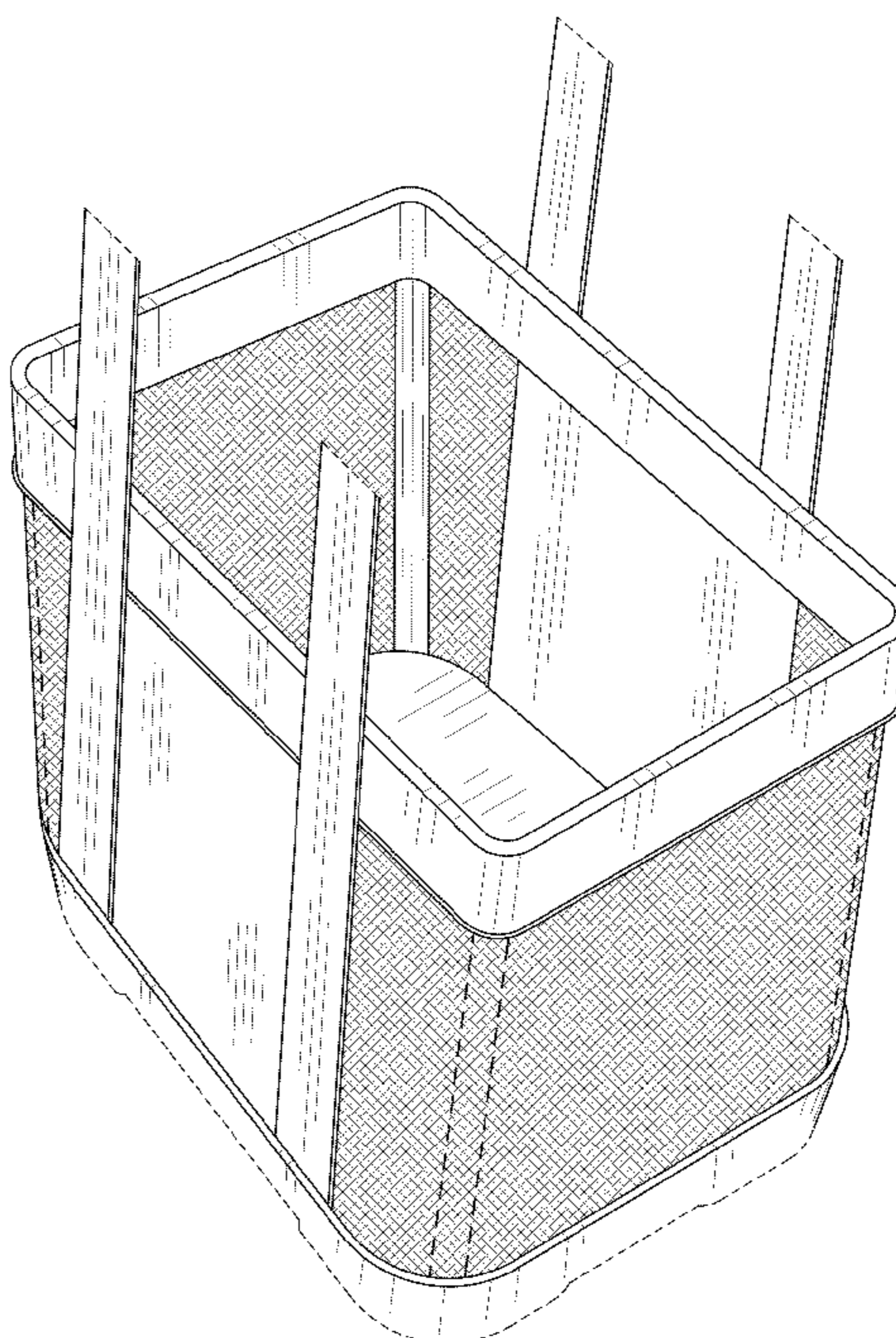
(58) **Field of Classification Search**
USPC D30/108–109, 112–113, 118–119; 119/161, 165–167, 416, 452–456, 459, 119/461, 465, 468, 472, 474, 482, 495–502, 119/512–513, 622, 28.5; D3/245–246, 273, D3/276, 289, 301, 303

The broken lines are intended to illustrate non-claimed subject matter, are for illustration only and form no part of the claimed design.

In particular, the broken lines at the top and bottom of the claimed design are unclaimed and represent the bounds of the claimed subject matter, and the broken lines that extend along the mesh-like portions of the claimed design are unclaimed stitching.

See application file for complete search history.

1 Claim, 7 Drawing Sheets



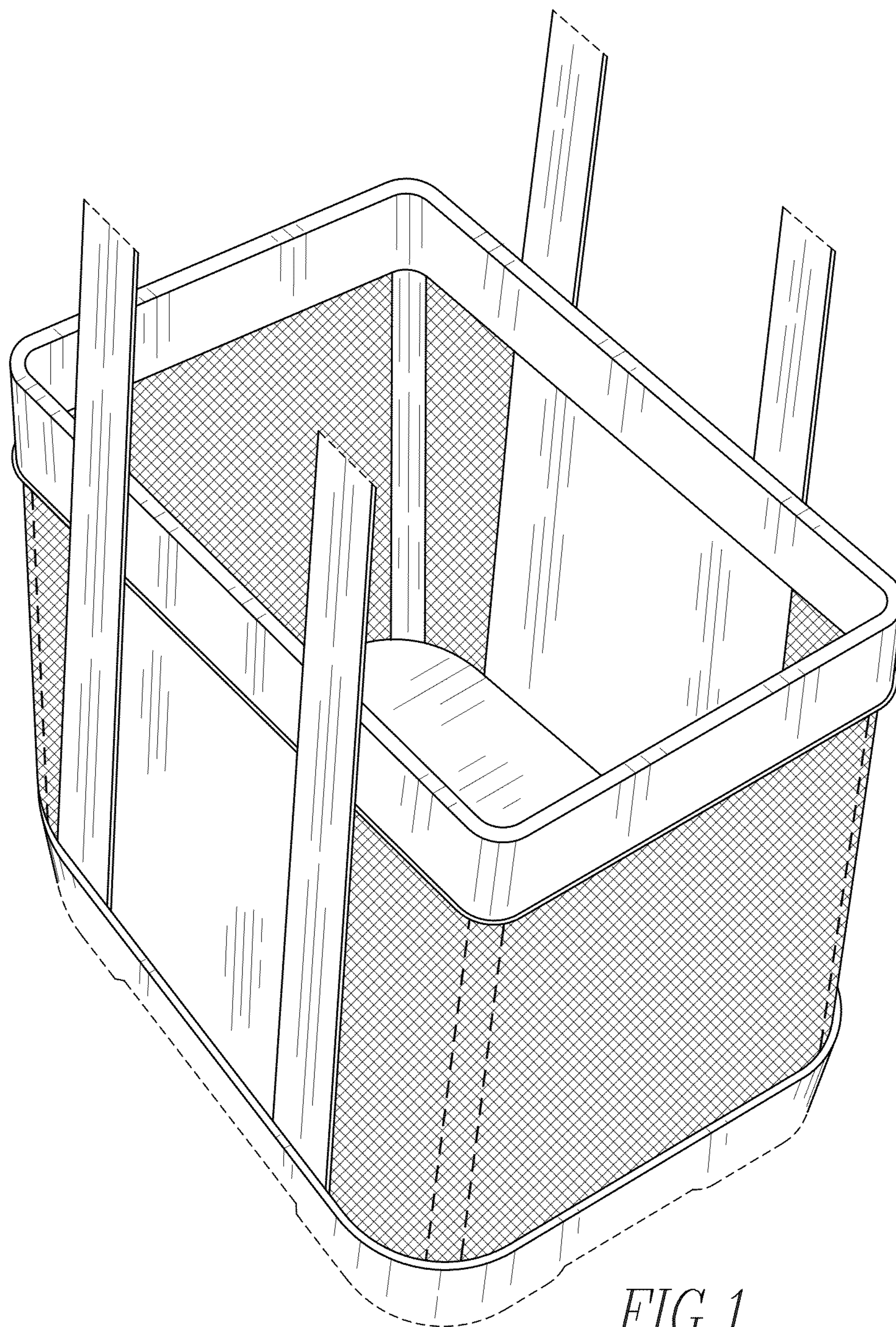


FIG. 1

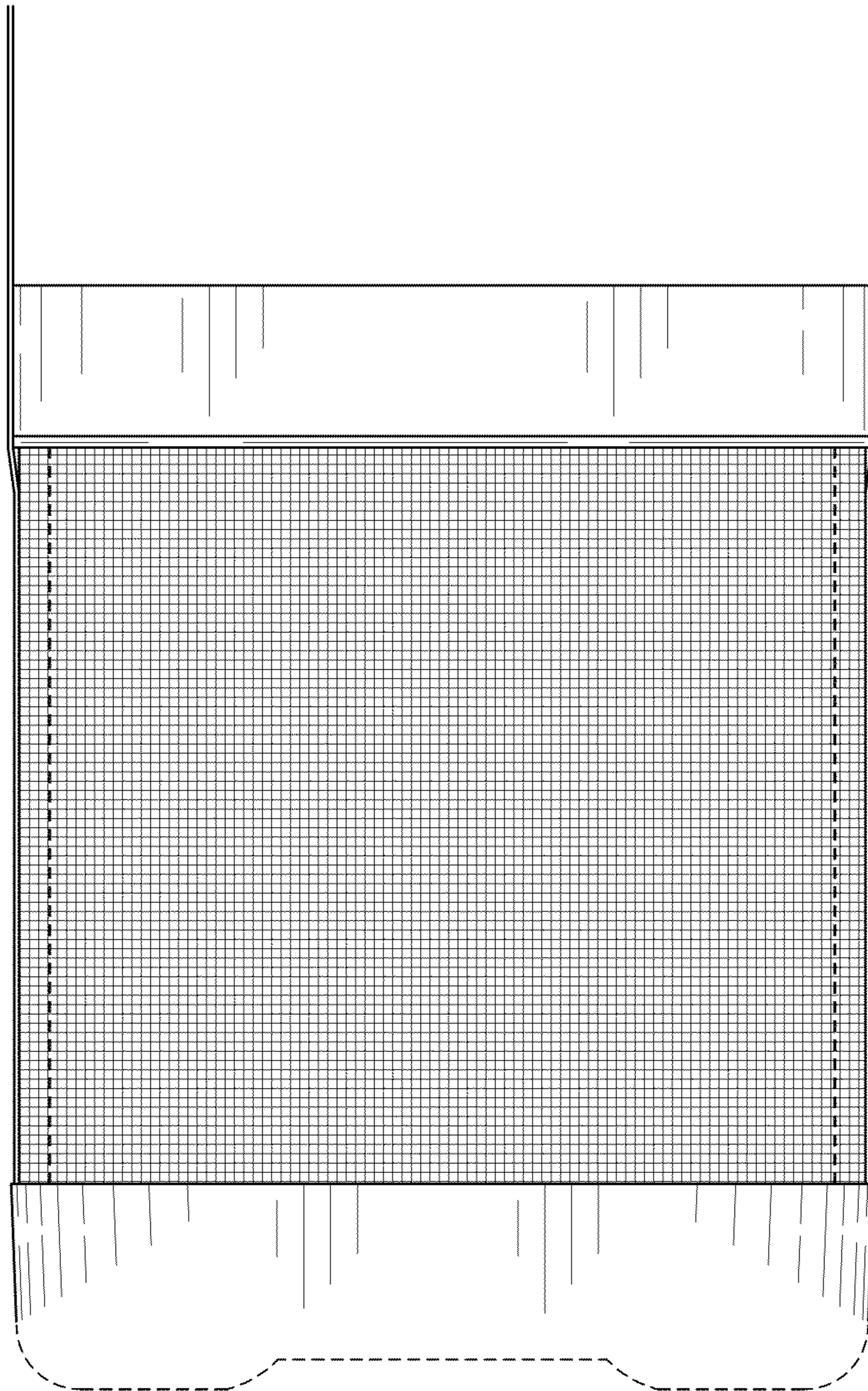


FIG. 2

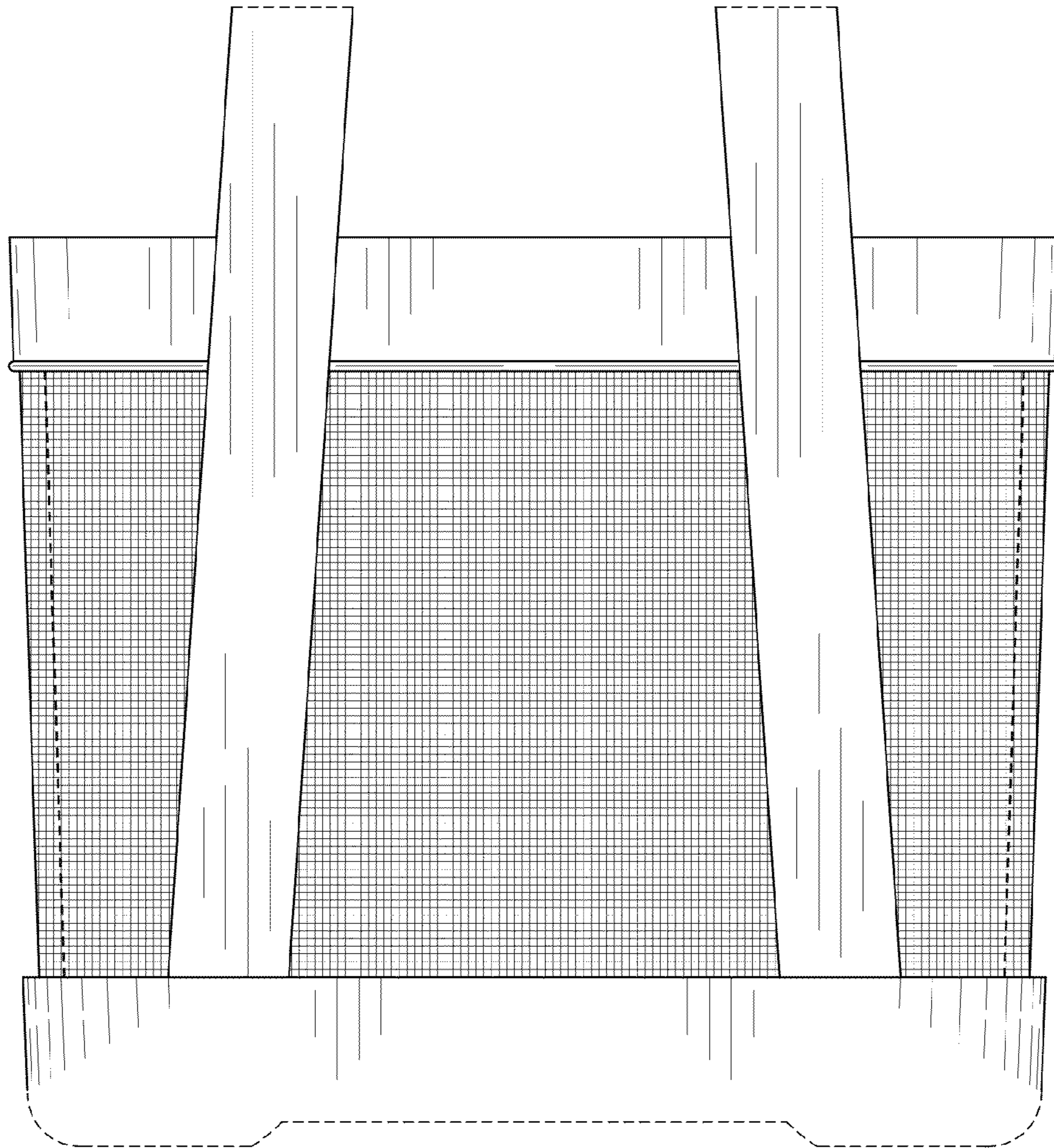


FIG. 3

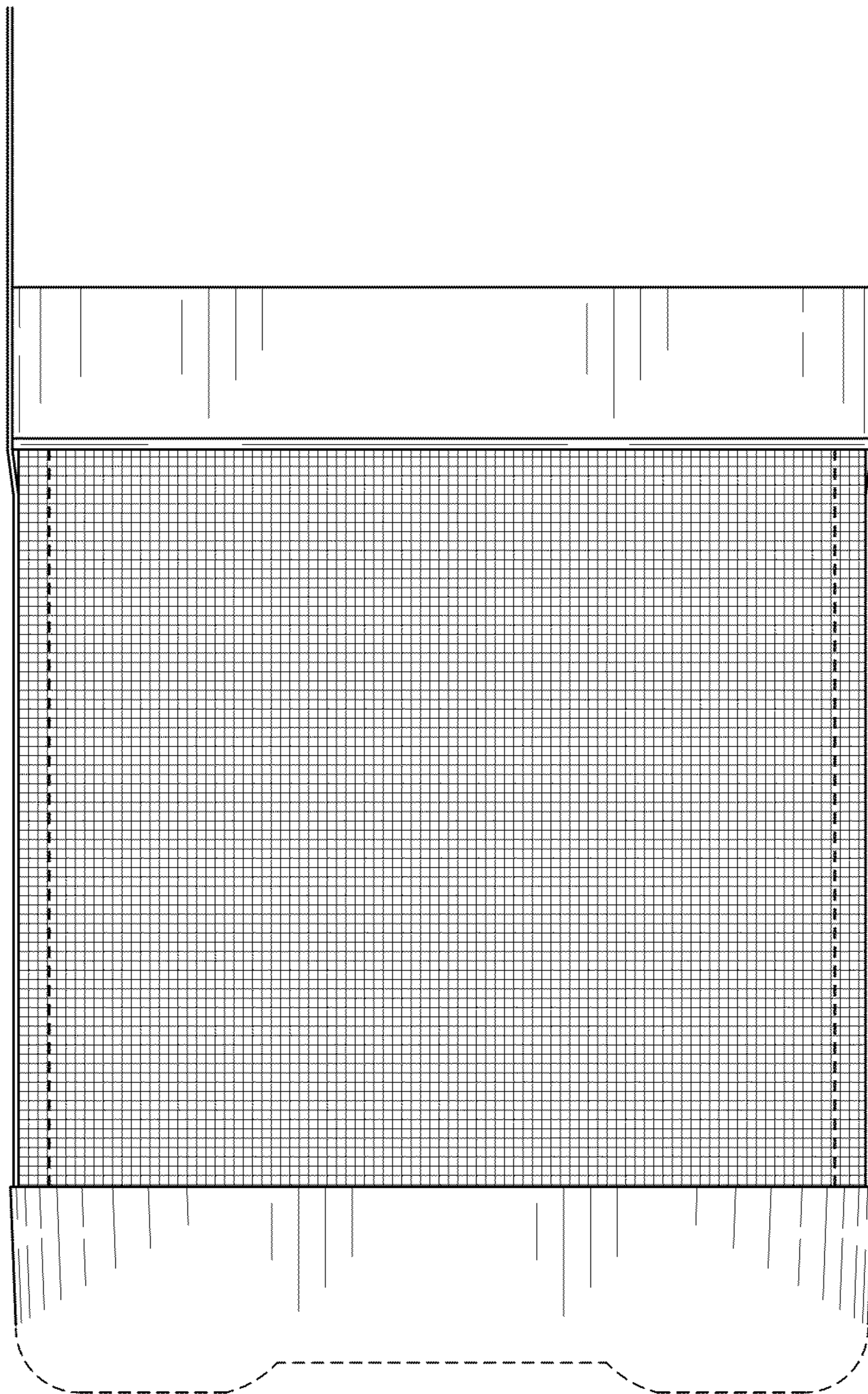


FIG. 4

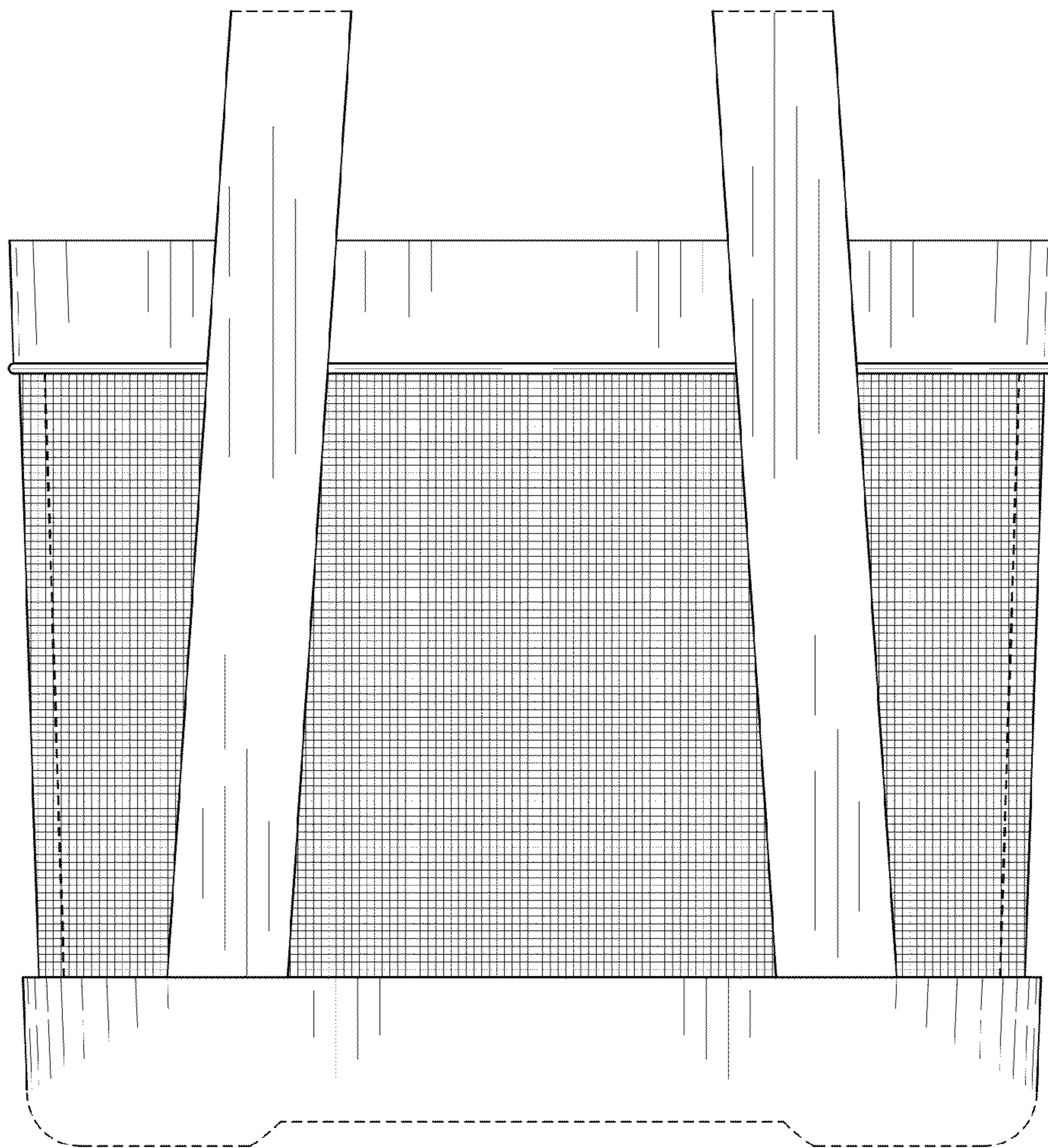


FIG. 5

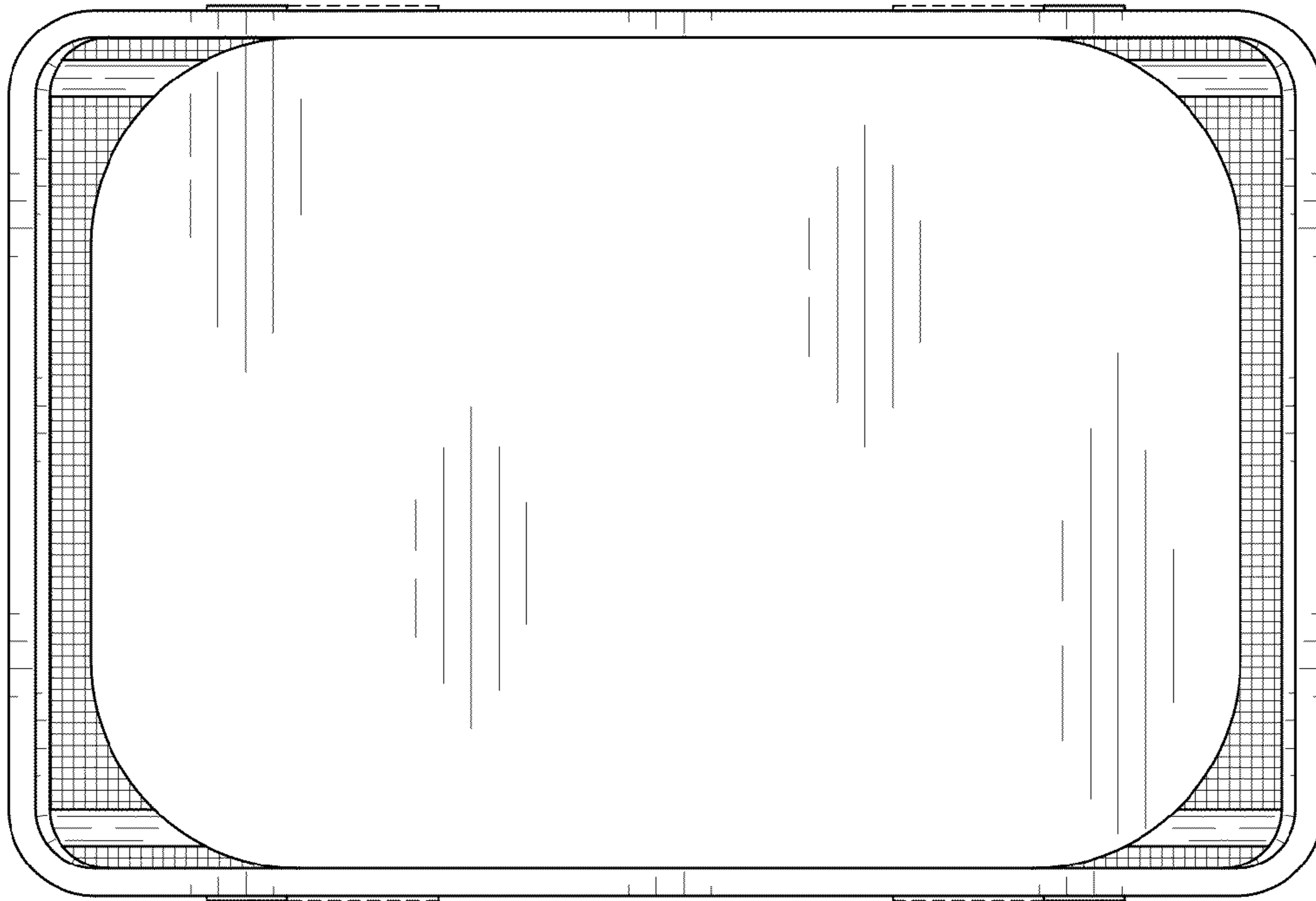


FIG. 6

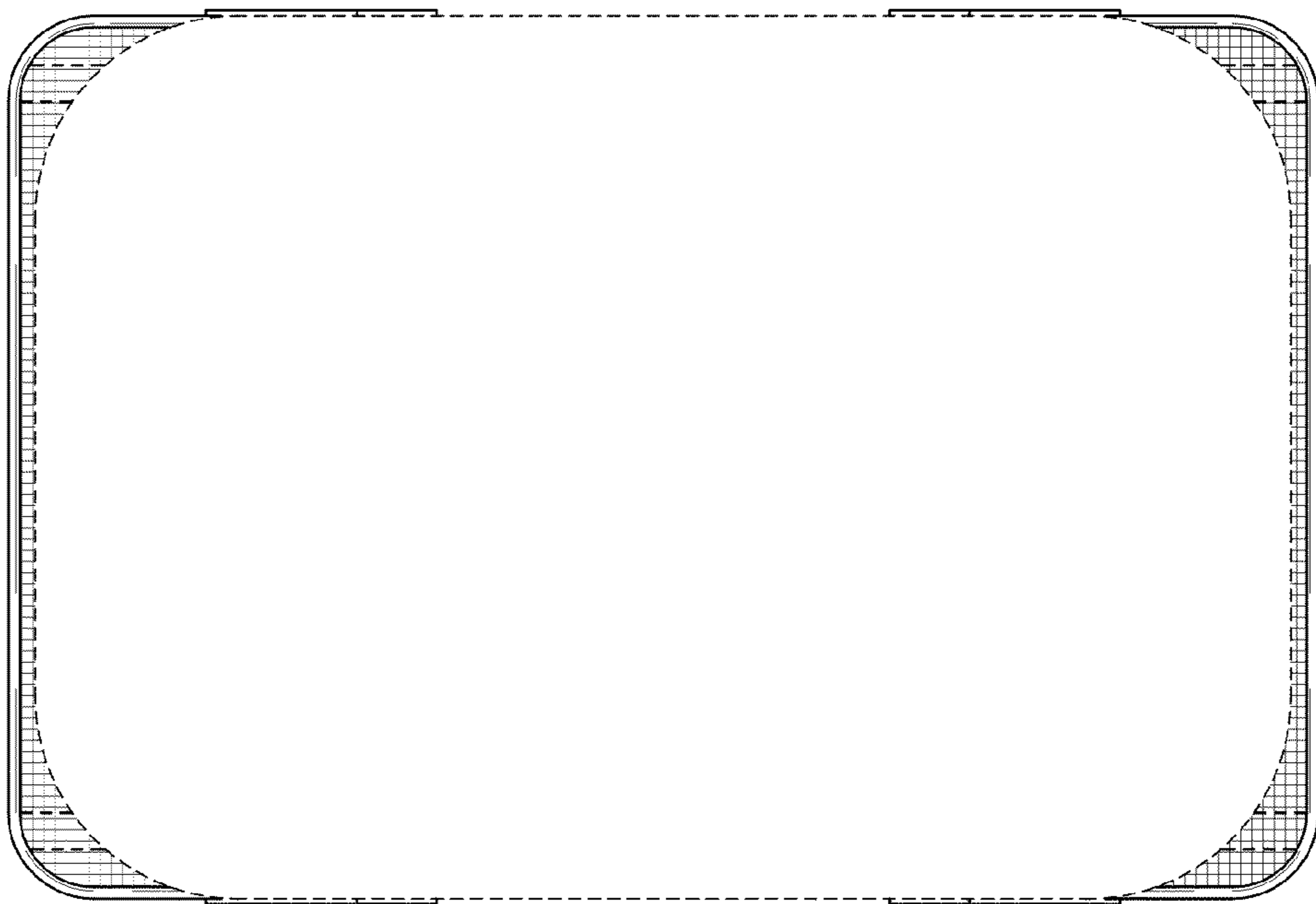


FIG. 7