



US00D728165S

(12) **United States Design Patent**  
**Davis**

(10) **Patent No.:** **US D728,165 S**

(45) **Date of Patent:** **\*\* Apr. 28, 2015**

(54) **LOWER LEG PROTECTOR**

(71) Applicant: **William D. Davis**, Denver, CO (US)

(72) Inventor: **William D. Davis**, Denver, CO (US)

(73) Assignee: **Osborn Medical Corp.**, Utica, MN (US)

(\*\*) Term: **14 Years**

(21) Appl. No.: **29/475,265**

(22) Filed: **Dec. 2, 2013**

(51) **LOC (10) Cl.** ..... **29-02**

(52) **U.S. Cl.**  
USPC ..... **D29/121.2**

(58) **Field of Classification Search**  
USPC ..... D29/100, 101.1, 101.2, 101.3, 101.4,  
D29/101.5, 120.1, 120.2, 121.1, 121.2, 122;  
D2/901; D24/190; 2/16, 20–24, 62,  
2/267, 455, 461, 463, 910, 911; 602/3, 5,  
602/6, 16, 23, 26

See application file for complete search history.

(56) **References Cited**

U.S. PATENT DOCUMENTS

5,444,339	A *	8/1995	Domel et al.	318/17
D365,667	S *	12/1995	Hargrove et al.	D29/120.1
D375,164	S *	10/1996	Wasserman et al.	D24/192
5,603,692	A *	2/1997	Maxwell	602/28
D382,673	S *	8/1997	Hargrove et al.	D29/120.1
D393,502	S *	4/1998	Peachey	D29/120.1
5,970,525	A *	10/1999	Gallinot et al.	2/242
6,131,195	A *	10/2000	Foreman	2/22
6,308,713	B1 *	10/2001	Coleman	128/882
D453,969	S *	2/2002	Callsen et al.	D24/192

7,458,948	B2 *	12/2008	Drennan	602/23
D697,628	S *	1/2014	Drey et al.	D24/192
8,834,396	B2 *	9/2014	Gainey	602/23

\* cited by examiner

*Primary Examiner* — Randall Gholson

(74) *Attorney, Agent, or Firm* — Merchant & Gould P.C.

(57) **CLAIM**

The ornamental design for a lower leg protector, as shown and described.

**DESCRIPTION**

FIG. 1 is a left perspective view of a lower leg protector, the right perspective view being a mirror image thereof.

FIG. 2 is a front side view of the lower leg protector of FIG. 1.

FIG. 3 is a rear side view of the lower leg protector of FIG. 1.

FIG. 4 is a right side view of the lower leg protector of FIG. 1.

FIG. 5 is a left side view of the lower leg protector of FIG. 1.

FIG. 6 is a top view of the lower leg protector of FIG. 1.

FIG. 7 is a bottom view of the lower leg protector of FIG. 1.

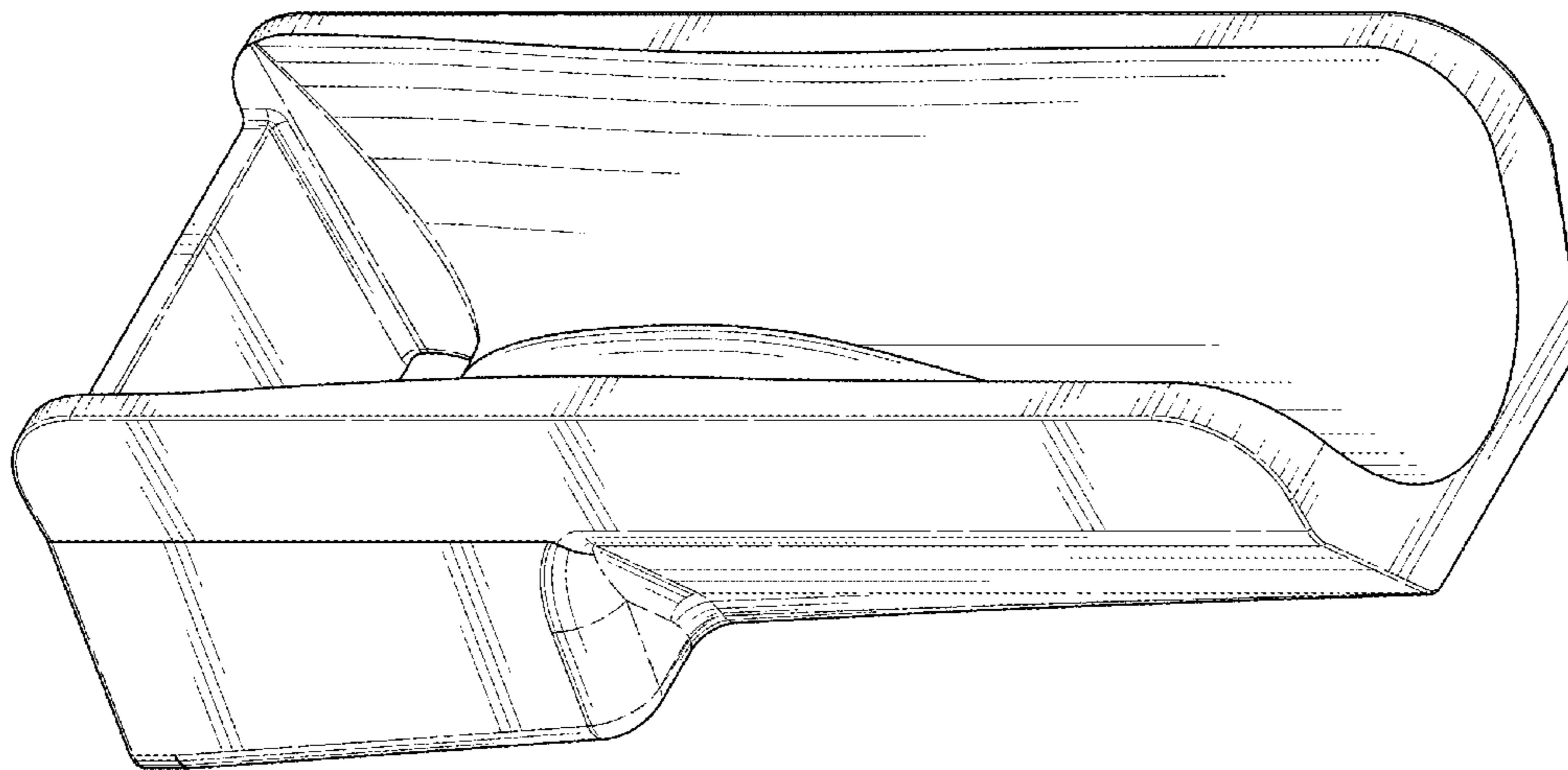
FIG. 8 is a bottom right perspective view of the lower leg protector of FIG. 1, the bottom left perspective view being a mirror image thereof.

FIG. 9 is another left perspective view of the lower leg protector of FIG. 1, with another right perspective view being a mirror image thereof.

FIG. 10 is a cross-sectional view of the lower leg protector of FIG. 1 taken along line 10-10 in FIG. 6, the opposite cross-sectional view being a mirror image thereof; and,

FIG. 11 is another cross-sectional view of the lower leg protector of FIG. 1 taken along line 10-10 in FIG. 6, and further illustrating a lower leg of a person. The broken lines in FIG. 11 show unclaimed subject matter only and form no part of the claimed design.

**1 Claim, 10 Drawing Sheets**



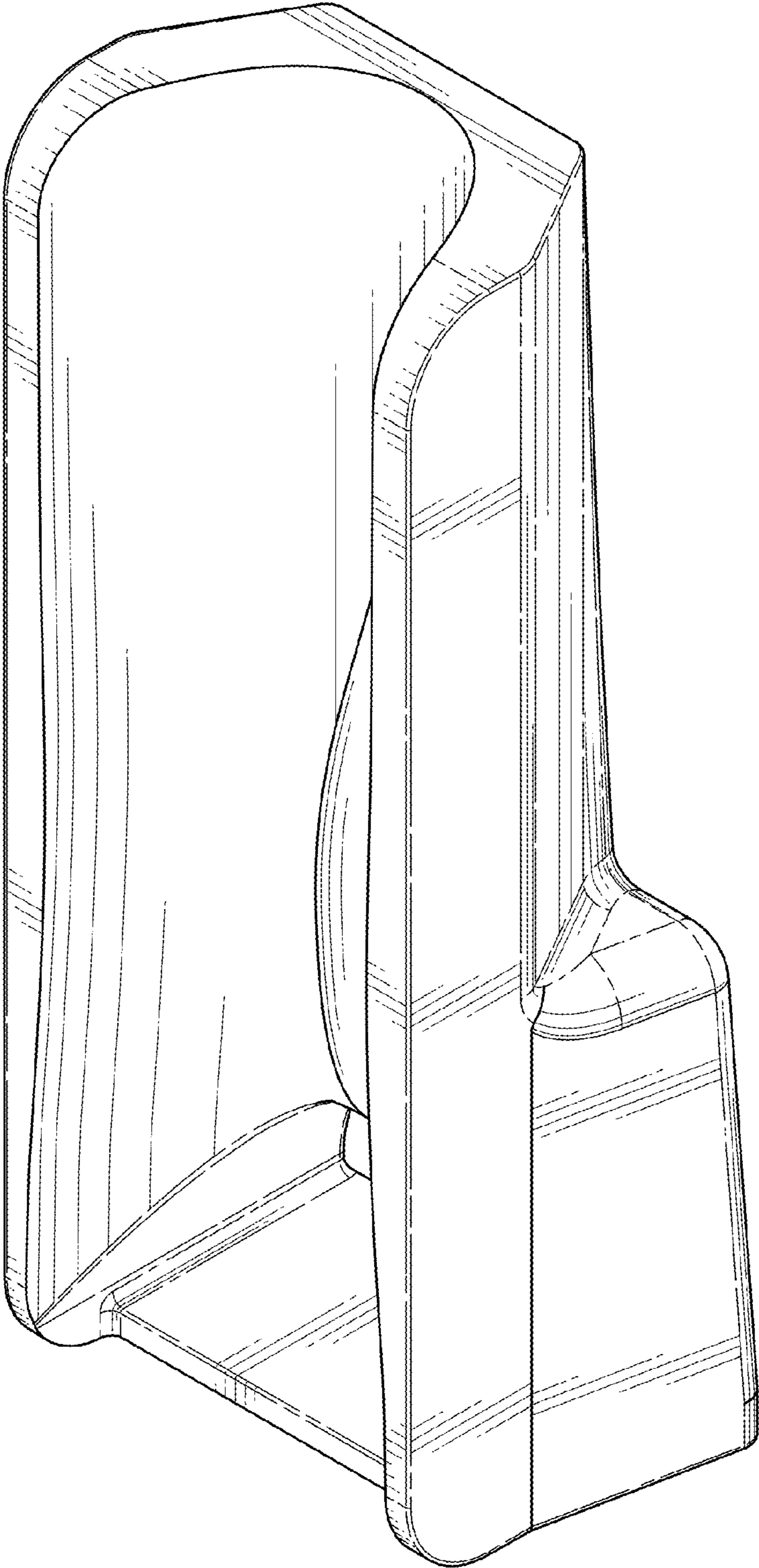


FIG. 1

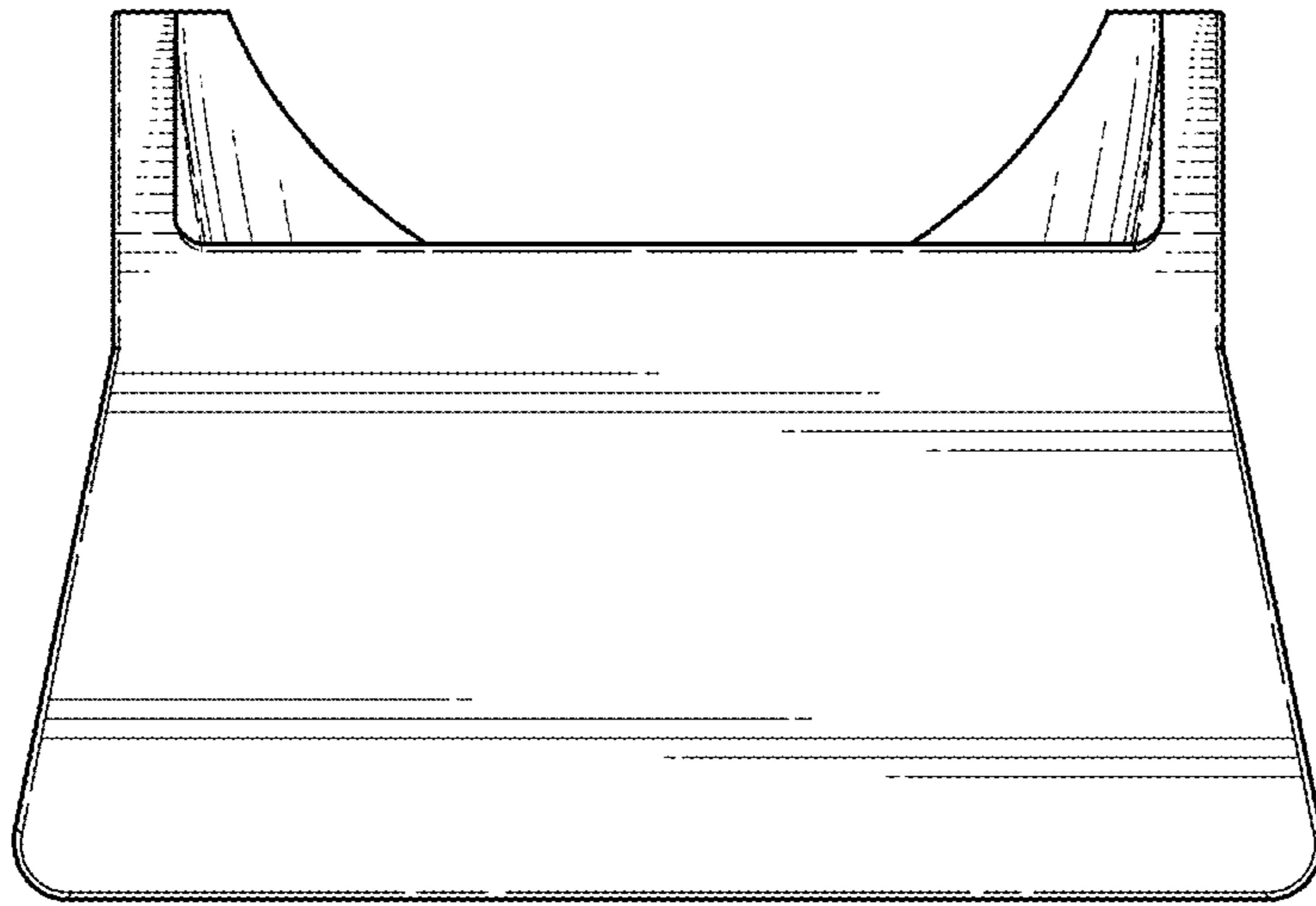


FIG. 2

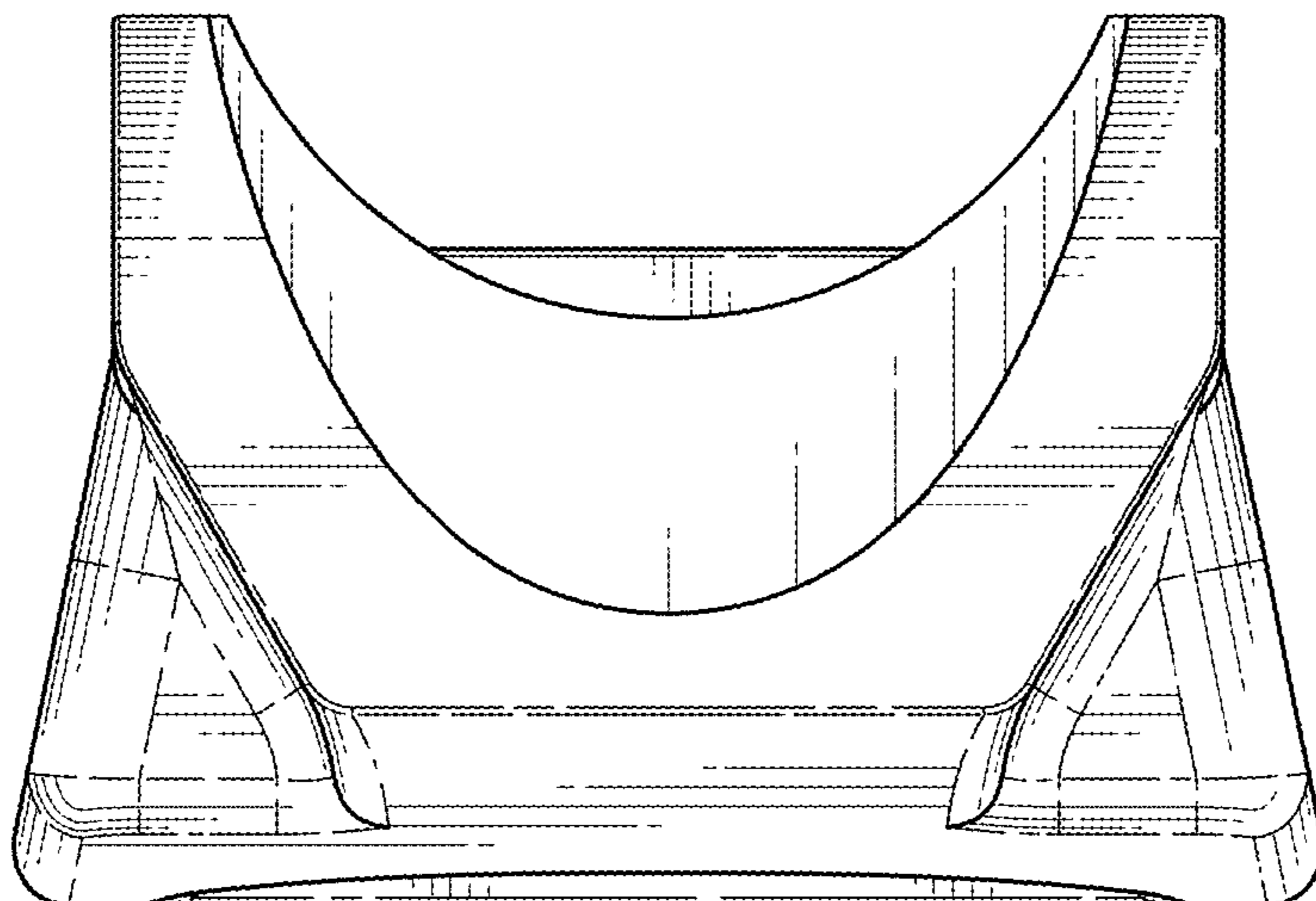


FIG. 3

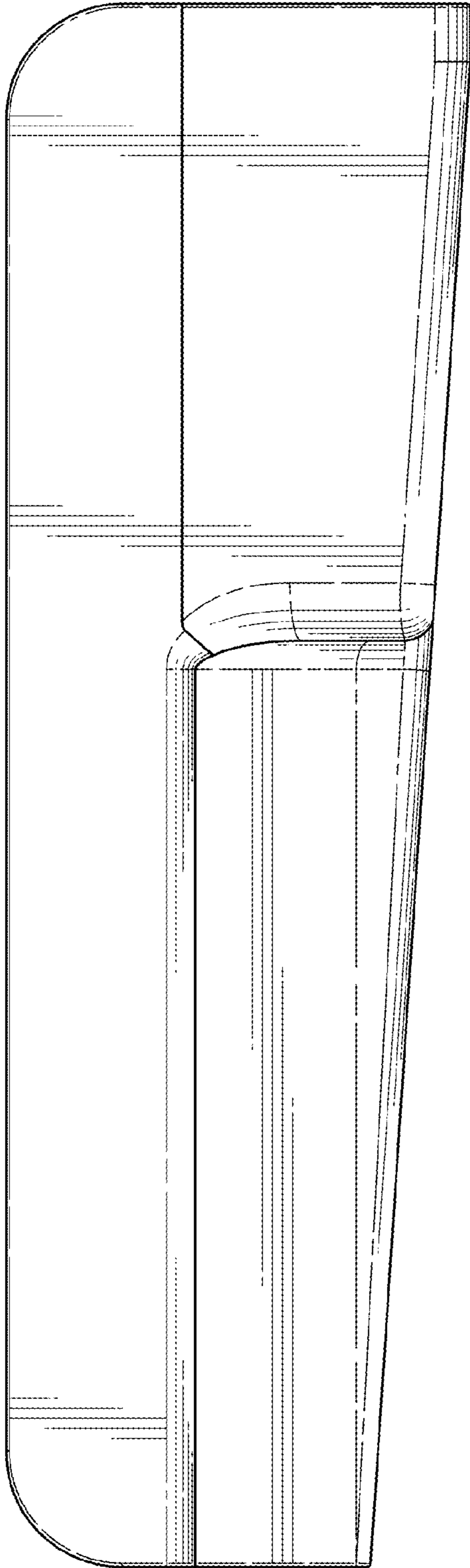


FIG. 4

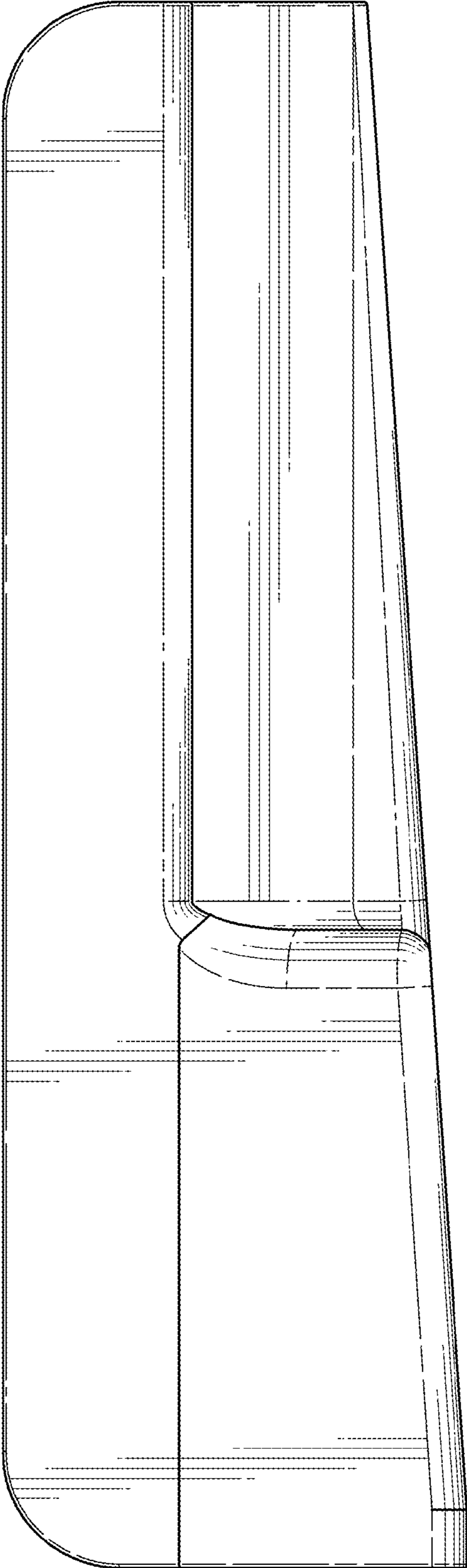


FIG. 5

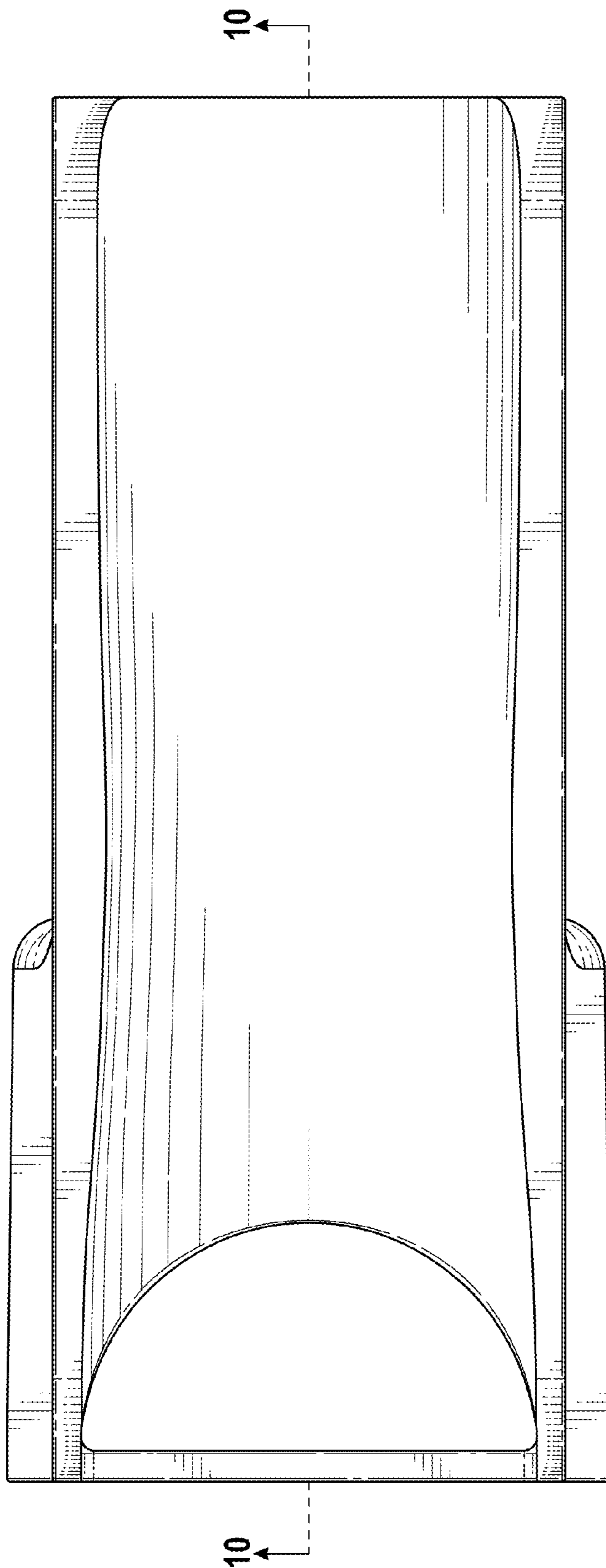


FIG. 6

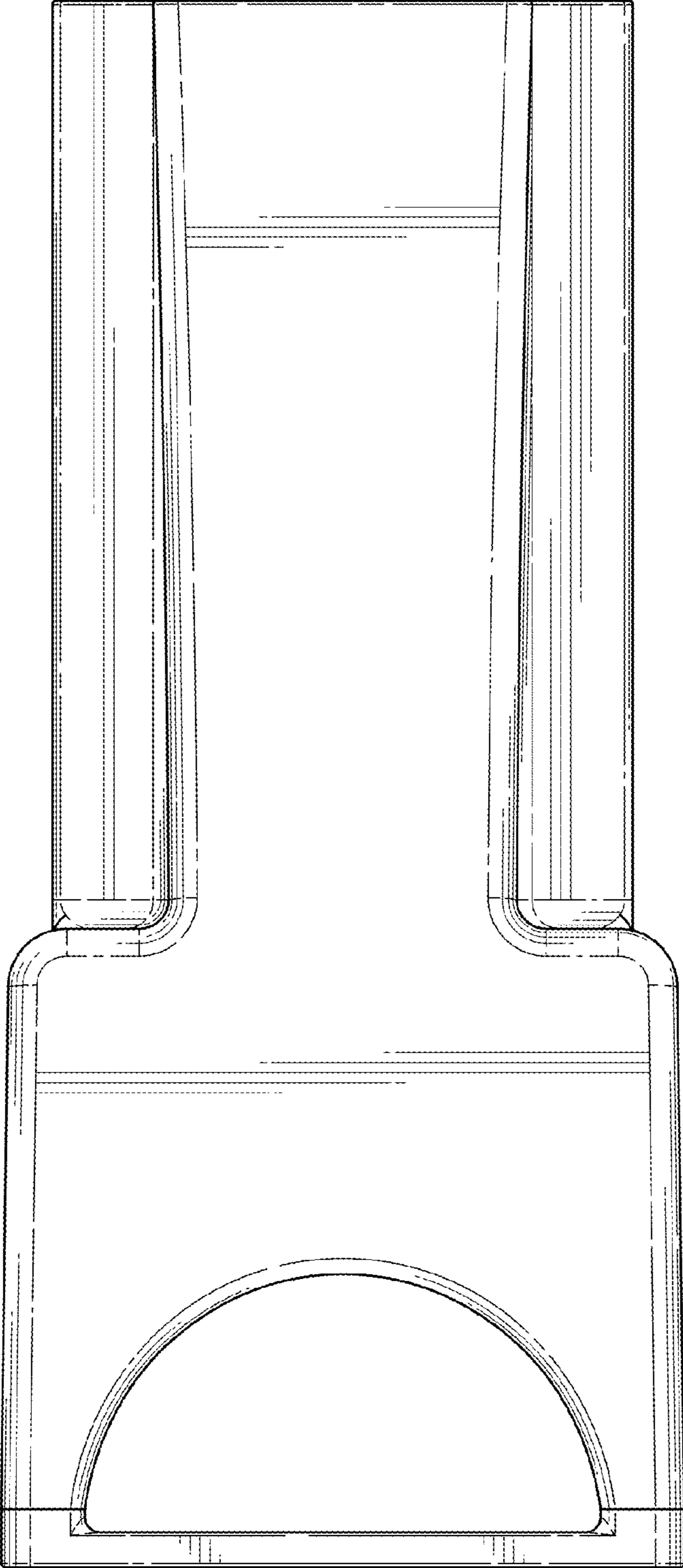


FIG. 7

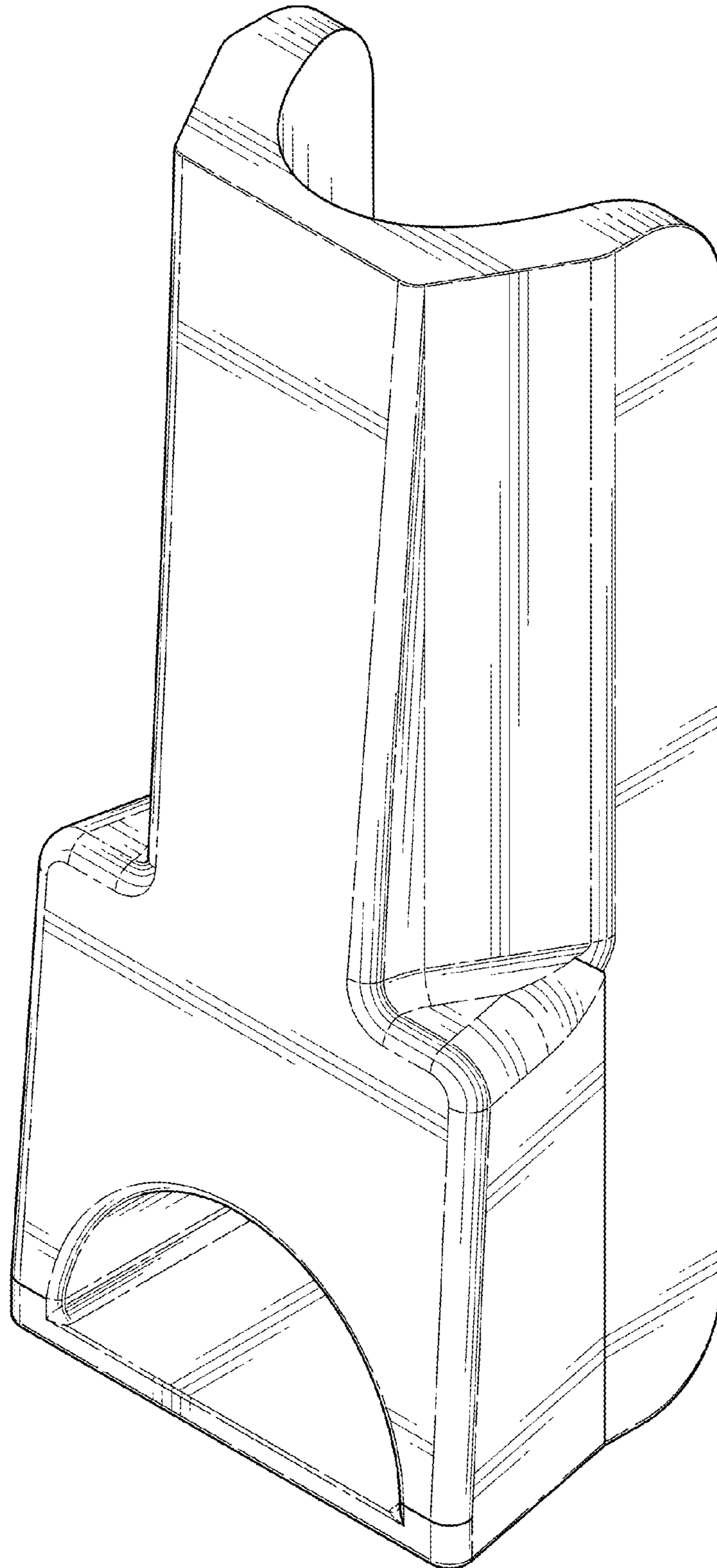


FIG. 8



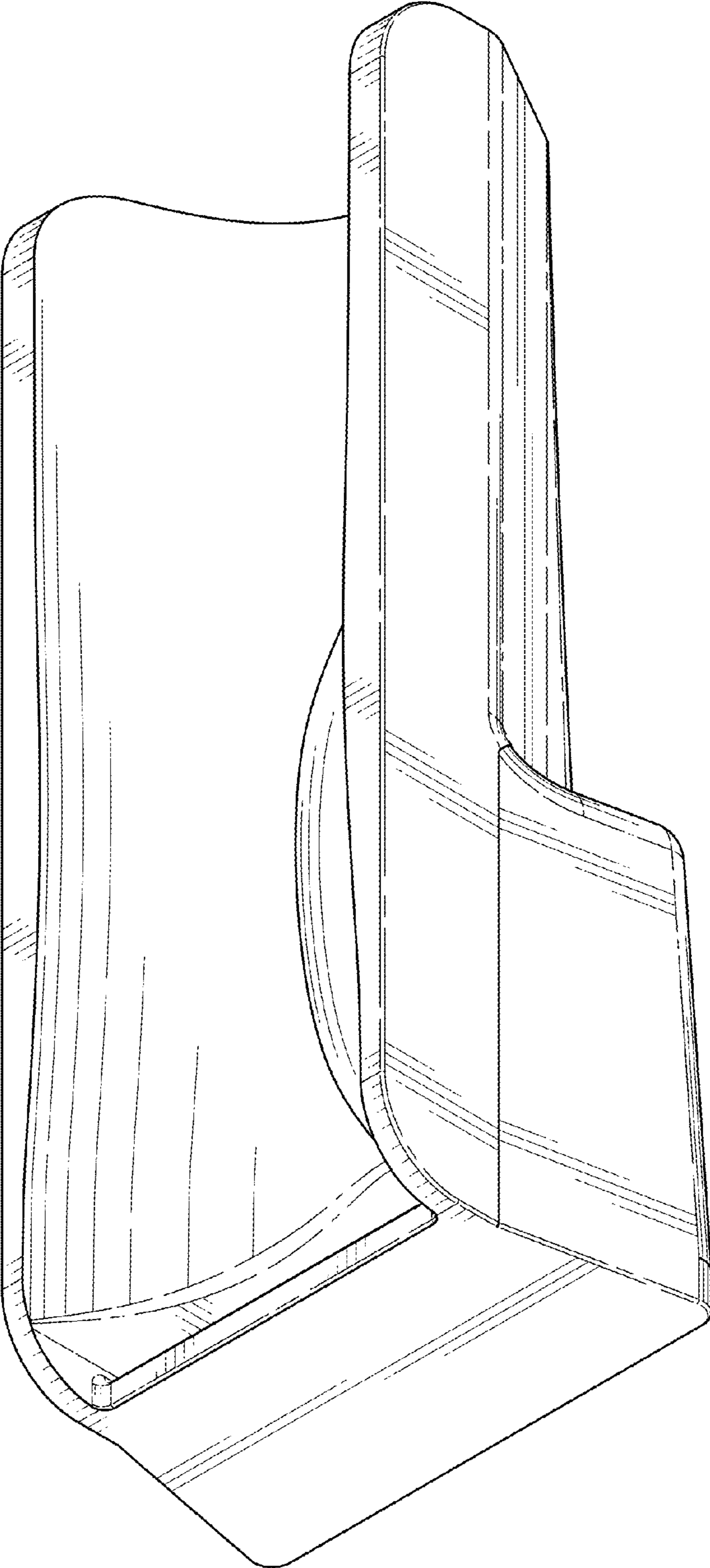


FIG. 9

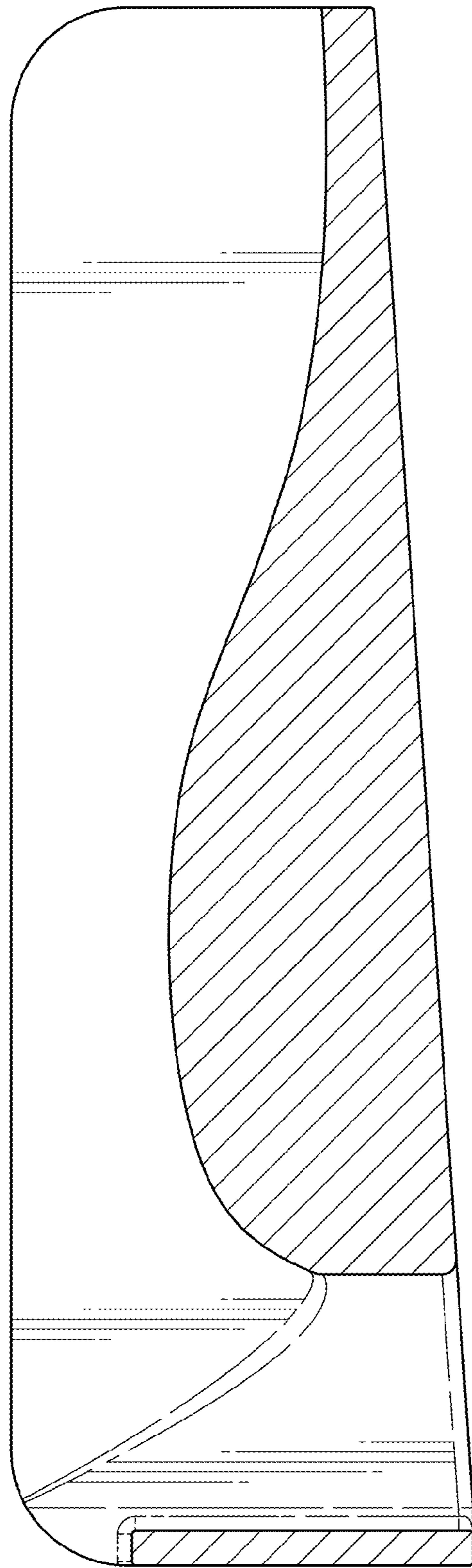


FIG. 10

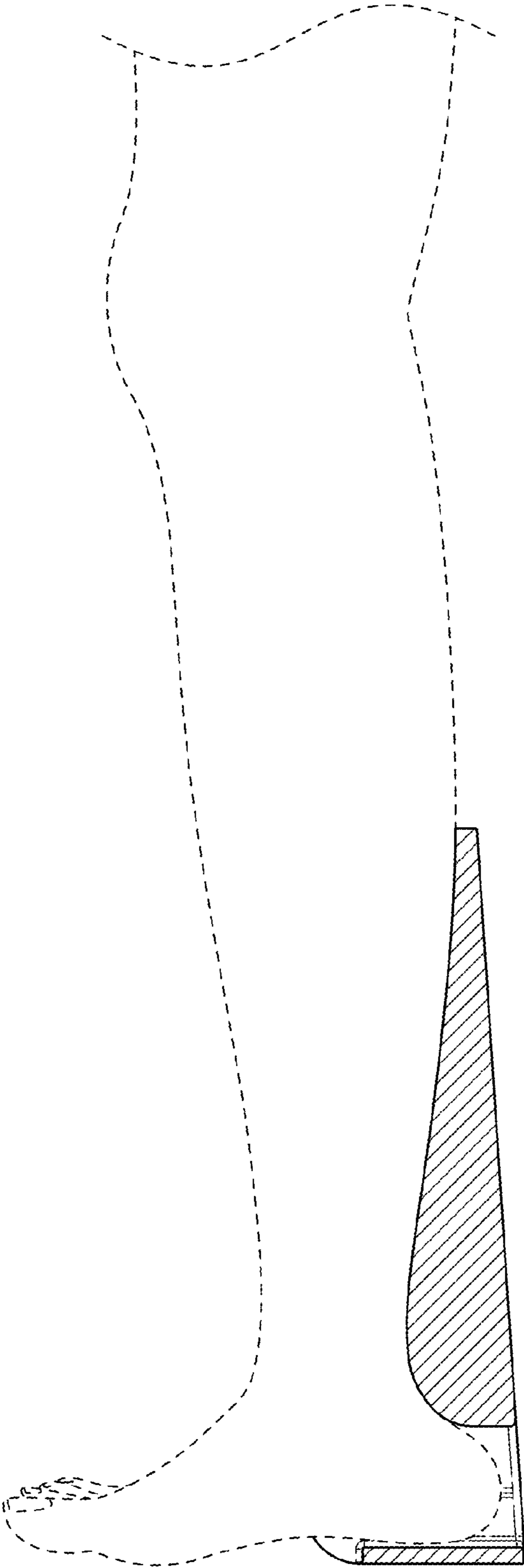


FIG. 11