



US00D728154S

(12) **United States Design Patent**  
**Lavanchy et al.**

(10) **Patent No.:** **US D728,154 S**  
(45) **Date of Patent:** **\*\* Apr. 28, 2015**

(54) **SMOKER'S ARTICLE**

(75) Inventors: **Frederic Lavanchy**, Grandson (CH);  
**Aleksandra Samulewicz**, Warsaw (PL);  
**Oleg Mironov**, Neuchâtel (CH);  
**Stephane Roudier**, Colombier (CH);  
**Roberto Mancini**, Bofflens (CH)

(73) Assignee: **Philip Morris Products S.A.**, Neuchatel (CH)

(\*\*) Term: **14 Years**

(21) Appl. No.: **29/431,702**

(22) Filed: **Sep. 10, 2012**

(30) **Foreign Application Priority Data**

Mar. 12, 2012 (EM) ..... 001317556-0001  
Mar. 12, 2012 (EM) ..... 001317556-0002  
Mar. 12, 2012 (EM) ..... 001317556-0003  
Mar. 12, 2012 (EM) ..... 001317556-0004  
Mar. 12, 2012 (EM) ..... 001317556-0005  
Mar. 12, 2012 (EM) ..... 001317556-0006  
Mar. 12, 2012 (EM) ..... 001317556-0007  
Mar. 12, 2012 (EM) ..... 001317556-0008  
Mar. 12, 2012 (EM) ..... 001317556-0009

(51) **LOC (10) Cl.** ..... **27-01**

(52) **U.S. Cl.**  
USPC ..... **D27/101; D27/100**

(58) **Field of Classification Search**

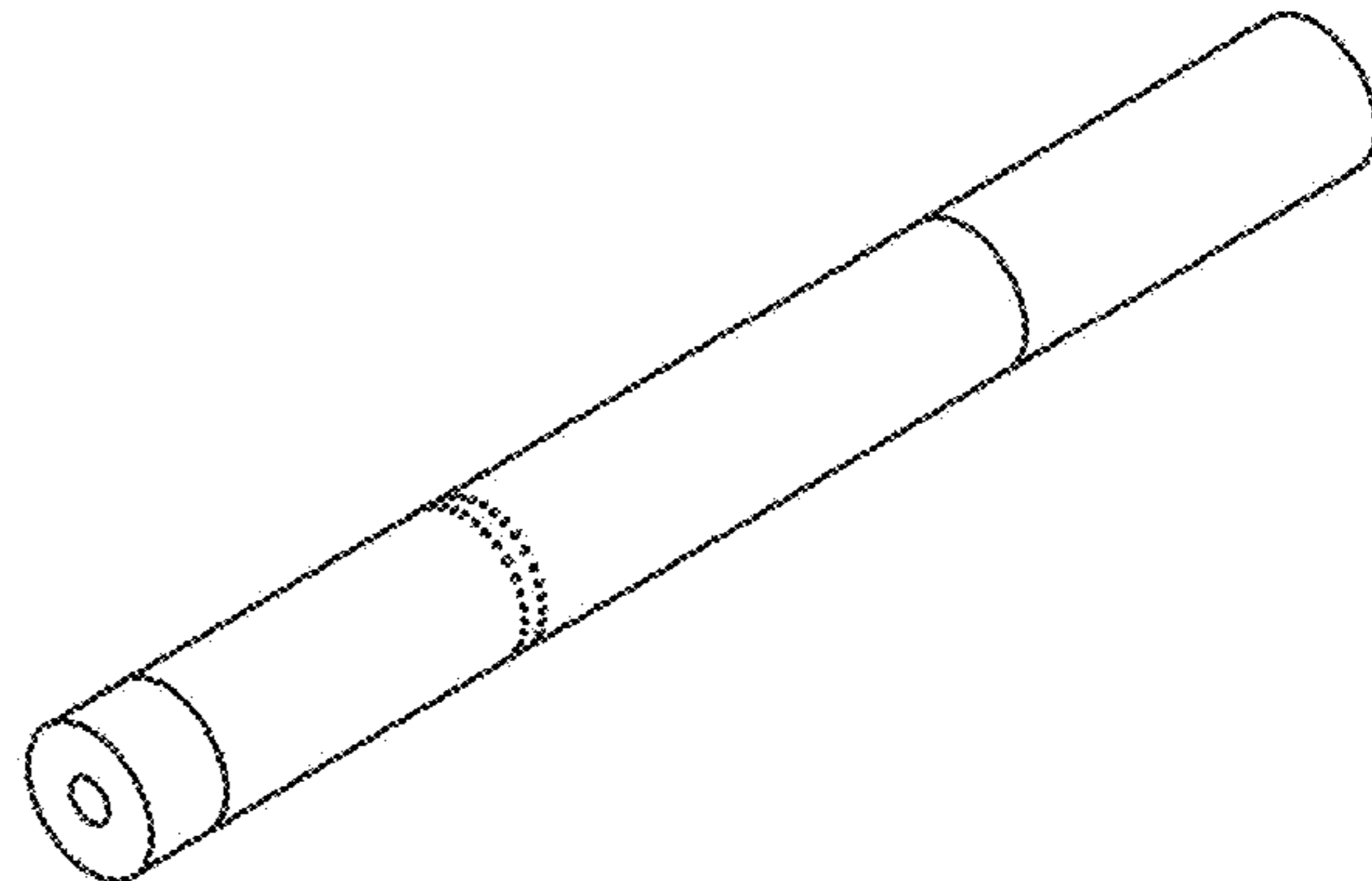
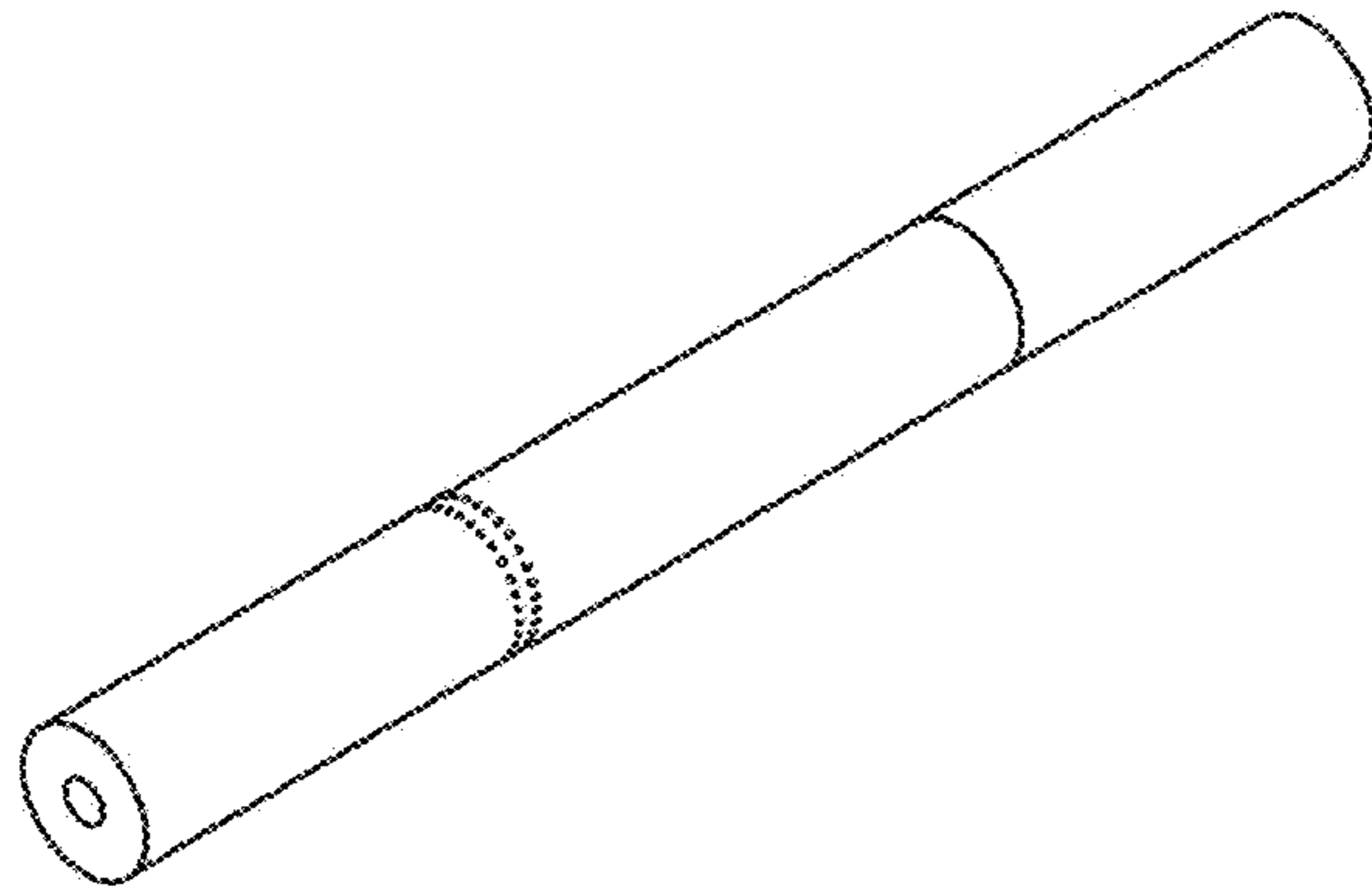
CPC ..... A24F 25/02; A24F 47/008; A24F 13/26;  
A24F 13/24; A24F 47/00  
USPC ..... D27/100, 101, 103, 104, 105, 108, 125,  
D27/163, 164, 170, 172, 174, 175, 183, 184,  
D27/186, 187, 188, 189, 190, 191, 192, 194,  
D27/195; D28/75, 76, 85; 401/10, 214;  
131/235.1, 270, 271, 272, 273, 329; D19/135,  
167, 169, 170, 925

See application file for complete search history.

(56) **References Cited**

U.S. PATENT DOCUMENTS

2,445,476	A	7/1948	Folkman	
3,516,417	A	6/1970	Moses	
3,587,573	A	6/1971	Flack	
3,608,561	A *	9/1971	Dock	131/336
4,771,796	A *	9/1988	Myer	131/273
5,293,883	A *	3/1994	Edwards	131/270
5,535,735	A *	7/1996	McPherson	128/202.21
5,613,504	A	3/1997	Collins et al.	
5,865,185	A	2/1999	Collins et al.	
D410,765	S	6/1999	Gawryk	
D453,854	S *	2/2002	Verhoeven-Koster	D27/101
6,532,965	B1	3/2003	Abhulimen et al.	
D573,888	S *	7/2008	Pascalie	D9/504
D580,597	S *	11/2008	Mascotte et al.	D28/76
D584,608	S *	1/2009	McBride	D9/418
D617,050	S *	6/2010	Lou	D28/76
D623,351	S *	9/2010	Kirkeby	D27/101
D624,238	S	9/2010	Turner	
D642,330	S	7/2011	Turner	
D644,375	S	8/2011	Zhou	
D653,390	S *	1/2012	Kaljura	D27/101
D653,802	S *	2/2012	Kaljura	D27/101
D653,803	S	2/2012	Timmermans	
D662,257	S	6/2012	Alelov	
D666,355	S	8/2012	Alelov	
8,499,766	B1 *	8/2013	Newton	131/273
8,528,569	B1 *	9/2013	Newton	131/194
8,539,959	B1 *	9/2013	Scatterday	131/361
D692,613	S *	10/2013	Morreale	D27/170
D695,449	S *	12/2013	Tucker et al.	D27/101
8,646,461	B2 *	2/2014	von Borstel et al.	131/273
2005/0016550	A1 *	1/2005	Katase	131/194
2010/0200008	A1 *	8/2010	Taieb	131/360
2011/0120455	A1 *	5/2011	Murphy	128/200.18
2011/0220134	A1 *	9/2011	Duke et al.	131/331
2011/0232654	A1 *	9/2011	Mass	131/273
2011/0277780	A1 *	11/2011	Terry et al.	131/273
2011/0290268	A1	12/2011	Schennum	
2013/0192617	A1 *	8/2013	Thompson	131/329



2013/0276802	A1*	10/2013	Scatterday .....	131/329
2014/0083442	A1*	3/2014	Scatterday .....	131/329
2014/0246034	A1*	9/2014	Terry et al. ....	131/329
2014/0283859	A1*	9/2014	Minskoff et al. ....	131/329

FOREIGN PATENT DOCUMENTS

AU	345051	S	2/2012
AU	345057	S	2/2012
AU	345796	S	2/2012
AU	345797	S	2/2012
CN	300921772		5/2009
CN	300929777		5/2009
CN	301100296		12/2009
CN	301114285		1/2010
CN	301168378		3/2010
CN	301168379		3/2010
CN	301168380		3/2010
CN	301168381		3/2010
CN	301168382		3/2010
CN	301168383		3/2010
CN	301322530	S	8/2010
CN	301357985	S	9/2010
CN	301412347	S	12/2010
CN	301555201	S	5/2011
CN	201744970	S	11/2011
CN	301722384	S	11/2011
CN	301722386	S	11/2011
CN	301847622		2/2012
DE	M 9800710-0001		9/1998
DE	M 9800710-0005		9/1998
DE	M 9800710-0008		9/1998
DE	M 8905328		3/2013
EM	000054630-0001		9/2003
EM	000084876-0001		1/2004
EM	000084876-0002		1/2004
EM	000084876-0003		1/2004
EM	000084876-0004		1/2004
EM	000084876-0005		1/2004
EM	000084876-0006		1/2004
EM	000084876-0007		1/2004
EM	000084876-0008		1/2004
EM	000084876-0009		1/2004
EM	000084876-0010		1/2004
EM	000084876-0011		1/2004
EM	000084876-0012		1/2004
EM	000084876-0013		1/2004
EM	000084876-0014		1/2004
EM	000084876-0015		1/2004
EM	000084876-0016		1/2004
EM	000084876-0017		1/2004
EM	000222450-0002		11/2004
EM	000855317-0001		2/2008
EM	001025779-0001		11/2008
EM	000778220-0001		2/2010
EM	001857558-0001		5/2011
EM	001991100-0004		2/2012
EM	001991100-0005		2/2012
EM	001991100-0006		2/2012
EM	001991100-0007		2/2012
EM	001991100-0008		2/2012
EM	001991100-0009		2/2012
EM	001991100-00010		2/2012
EM	001991126-0001		2/2012
EM	001991126-0002		2/2012
EM	001991100-0001		3/2012
EM	001991100-0002		3/2012
EM	001991100-0003		3/2012
EM	001991100-0004		3/2012
EM	001991100-0005		3/2012
EM	001991100-0006		3/2012
EM	001991100-0007		3/2012
EM	001991100-0008		3/2012
EM	001991100-0009		3/2012
EM	001991100-0010		3/2012
EM	001991126-0001		3/2012
EM	001991126-0002		3/2012
EM	001991126-0003		3/2012
EM	001991126-0004		3/2012

EM	001991126-0005		3/2012
EM	001991126-0006		3/2012
EM	001991126-0007		3/2012
EM	001307631-0003		4/2012
EM	001307631-0004		4/2012
EM	001307631-0021		4/2012
EM	001307649-0002		4/2012
EM	001307649-0003		4/2012
EM	001307649-0004		4/2012
EM	001307649-0005		4/2012
EM	001307649-0006		4/2012
EM	001307656-0001		4/2012
EM	001307656-0004		4/2012
EM	001307656-0007		4/2012
EM	001307656-0013		4/2012
FR	091723-003		2/2010
FR	092495-001		2/2010
JP	D1385675		4/2010
JP	D1385677		4/2010
JP	D1500380		6/2014
KR	20-0443406		2/2009
KR	20-0443406	Y1	2/2009
KR	300499051.0000		7/2011
RU	59758		7/2006
TW	D133649	S1	3/2010
TW	D133649	S1	3/2010

OTHER PUBLICATIONS

Office Action issued May 28, 2014 in Japanese Design Application No. 2013-012905 (with English language translation).

Office Action issued May 28, 2014 in Japanese Design Application No. 2013-012906 (with English language translation).

Office Action issued May 28, 2014 in Japanese Design Application No. 2013-012907 (with English language translation).

Notification of Substantive Examination Result for Design Application issued Jan. 22, 2014 in Vietnamese Application No. 3-2012-01092 (English translation only).

Notification of Substantive Examination Result for Design Application issued Jan. 21, 2014 in Vietnamese Application No. 3-2012-01091 (English translation only).

Electric Cigarette Photos & Videos Internet archive Way Back Machine, Feb. 5, 2012, 1 page <http://web.archive.org/web/20120205201828/http://www.ecigme.com/cigarette-media>.

English Translation of Notice of Office Action, dated Jul. 16, 2013, in Korean App. No. 30-2012-0038496, 3 pp.

English Translation of Notice of Office Action, dated Jul. 16, 2013, in Korean App. No. 30-2012-0038497, 3 pp.

English Translation of Notice of Office Action, dated Aug. 12, 2013, in Korean App. No. 30-2012-0042583, 3 pp.

English Translation of Notification for the Opinion of Examination, mailed Jun. 25, 2013, in Taiwanese App. No. 101304686, 3 pp.

English Translation of Notification for the Opinion of Examination, mailed Jun. 25, 2013, in Taiwanese App. No. 101304687, 3 pp.

“Cangan Boking Plastic Crafts Factory—Health E-Cigarette BKEC-1001,” [http://www.cnboking.cn/product/353976483-210065085/Health\\_E\\_Cigarette\\_BKEC\\_1003.html](http://www.cnboking.cn/product/353976483-210065085/Health_E_Cigarette_BKEC_1003.html), printed Aug. 19, 2013, 4 pp.

“Cangan Boking Plastic Crafts Factory—Health E-Cigarette BKEC-1003,” [http://www.cnboking.cn/product/309081858-210065085/Health\\_E\\_Cigarette\\_BKEC\\_1003.html](http://www.cnboking.cn/product/309081858-210065085/Health_E_Cigarette_BKEC_1003.html), printed Aug. 19, 2013, 2 pp.

KIPO Catalog Serial No. F4011571420, May 24, 2011, 1 pp.

Office Action in Russian Patent Application No. 2012502821 with English language translation, dated Aug. 20, 2013.

Examiner’s Report issued Feb. 19, 2013 in Australian Patent Application No. 346351.

Examiner’s Report issued Feb. 19, 2013 in Australian Patent Application No. 346352.

Examiner’s Report issued Feb. 19, 2013 in Australian Patent Application No. 346386.

Examiner’s Report issued Feb. 19, 2013 in Australian Patent Application No. 346355.

Examiner’s Report issued Feb. 19, 2013 in Australian Patent Application No. 346353.

Office Action issued Apr. 1, 2013 in Russian Patent Application No. 2012503208 with English language translation.

Notification for the Opinion of Examination issued Jun. 25, 2013 in Taiwanese Application No. 101304686 (submitting English language translation only).

Office Action issued Jul. 25, 2014 in Korean Patent Application No. 30-2013-0056782 (with English language translation).

Office Action issued Jul. 25, 2014 in Korean Patent Application No. 30-2013-0056783 (with English language translation).

Office Action issued Jul. 25, 2014 in Korean Patent Application No. 30-2013-0056784 (with English language translation).

Office Action issued Jul. 25, 2014 in Korean Patent Application No. 30-2013-0056785 (with English language translation).

Office Action issued Jul. 25, 2014 in Korean Patent Application No. 30-2013-0056786 (with English language translation).

Office Action issued Jul. 25, 2014 in Korean Patent Application No. 30-2013-0056787 (with English language translation).

Office Action issued Jul. 25, 2014 in Korean Patent Application No. 30-2013-0056788 (with English language translation).

Office Action issued Jul. 25, 2014 in Korean Patent Application No. 30-2013-0056789 (with English language translation).

Office Action issued Jul. 25, 2014 in Korean Patent Application No. 30-2013-0057786 (with English language translation).

Office Action issued Jul. 25, 2014 in Korean Patent Application No. 30-2013-0057787 (with English language translation).

\* cited by examiner

*Primary Examiner* — Barbara Fox

*Assistant Examiner* — Chelsea Sealey

(74) *Attorney, Agent, or Firm* — Oblon, McClelland, Maier & Neustadt, L.L.P.

(57) **CLAIM**

The ornamental design for smoker's article, as shown and described.

**DESCRIPTION**

FIG. 1 is a perspective view of smoker's article showing the front, top, and left side of our new design as viewed from the right side of the page;

FIG. 2 is a front elevational view thereof;

FIG. 3 is a rear elevational view thereof;

FIG. 4 is a left side elevational view thereof;

FIG. 5 is a right side elevational view thereof;

FIG. 6 is a top elevational view thereof;

FIG. 7 is a bottom elevational view thereof;

FIG. 8 is a perspective view of another embodiment of a smoker's article showing the front, top, and left side of our new design as viewed from the right side of the page;

FIG. 9 is a front elevational view thereof;

FIG. 10 is a rear elevational view thereof;

FIG. 11 is a left side elevational view thereof;

FIG. 12 is a right side elevational view thereof;

FIG. 13 is a top elevational view thereof;

FIG. 14 is a bottom elevational view thereof;

FIG. 15 is a perspective view of another embodiment of smoker's article showing the front, top, and left side of our new design as viewed from the right side of the page;

FIG. 16 is a front elevational view thereof;

FIG. 17 is a rear elevational view thereof;

FIG. 18 is a left side elevational view thereof;

FIG. 19 is a right side elevational view thereof;

FIG. 20 is a top elevational view thereof;

FIG. 21 is a bottom elevational view thereof;

FIG. 22 is a perspective view of another embodiment of a smoker's article showing the front, top, and left side of our new design as viewed from the right side of the page;

FIG. 23 is a front elevational view thereof;

FIG. 24 is a rear elevational view thereof;

FIG. 25 is a left side elevational view thereof;

FIG. 26 is a right side elevational view thereof;

FIG. 27 is a top elevational view thereof;

FIG. 28 is a bottom elevational view thereof;

FIG. 29 is a perspective view of another embodiment of smoker's article showing the front, top, and left side of our new design as viewed from the right side of the page;

FIG. 30 is a front elevational view thereof;

FIG. 31 is a rear elevational view thereof;

FIG. 32 is a left side elevational view thereof;

FIG. 33 is a right side elevational view thereof;

FIG. 34 is a top elevational view thereof;

FIG. 35 is a bottom elevational view thereof;

FIG. 36 is a perspective view of another embodiment of smoker's article showing the front, top, and left side of our new design as viewed from the right side of the page;

FIG. 37 is a front elevational view thereof;

FIG. 38 is a rear elevational view thereof;

FIG. 39 is a left side elevational view thereof;

FIG. 40 is a right side elevational view thereof;

FIG. 41 is a top elevational view thereof;

FIG. 42 is a bottom elevational view thereof;

FIG. 43 is a perspective view of another embodiment of smoker's article showing the front, top, and left side of our new design as viewed from the right side of the page;

FIG. 44 is a front elevational view thereof;

FIG. 45 is a rear elevational view thereof;

FIG. 46 is a left side elevational view thereof;

FIG. 47 is a right side elevational view thereof;

FIG. 48 is a top elevational view thereof;

FIG. 49 is a bottom elevational view thereof;

FIG. 50 is a perspective view of another embodiment of smoker's article showing the front, top, and left side of our new design as viewed from the right side of the page;

FIG. 51 is a front elevational view thereof;

FIG. 52 is a rear elevational view thereof;

FIG. 53 is a left side elevational view thereof;

FIG. 54 is a right side elevational view thereof;

FIG. 55 is a top elevational view thereof;

FIG. 56 is a bottom elevational view thereof;

FIG. 57 is a perspective view of another embodiment of smoker's article showing the front, top, and left side of our new design as viewed from the right side of the page;

FIG. 58 is a front elevational view thereof;

FIG. 59 is a rear elevational view thereof;

FIG. 60 is a left side elevational view thereof;

FIG. 61 is a right side elevational view thereof;

FIG. 62 is a top elevational view thereof; and

FIG. 63 is a bottom elevational view thereof.

**1 Claim, 63 Drawing Sheets**

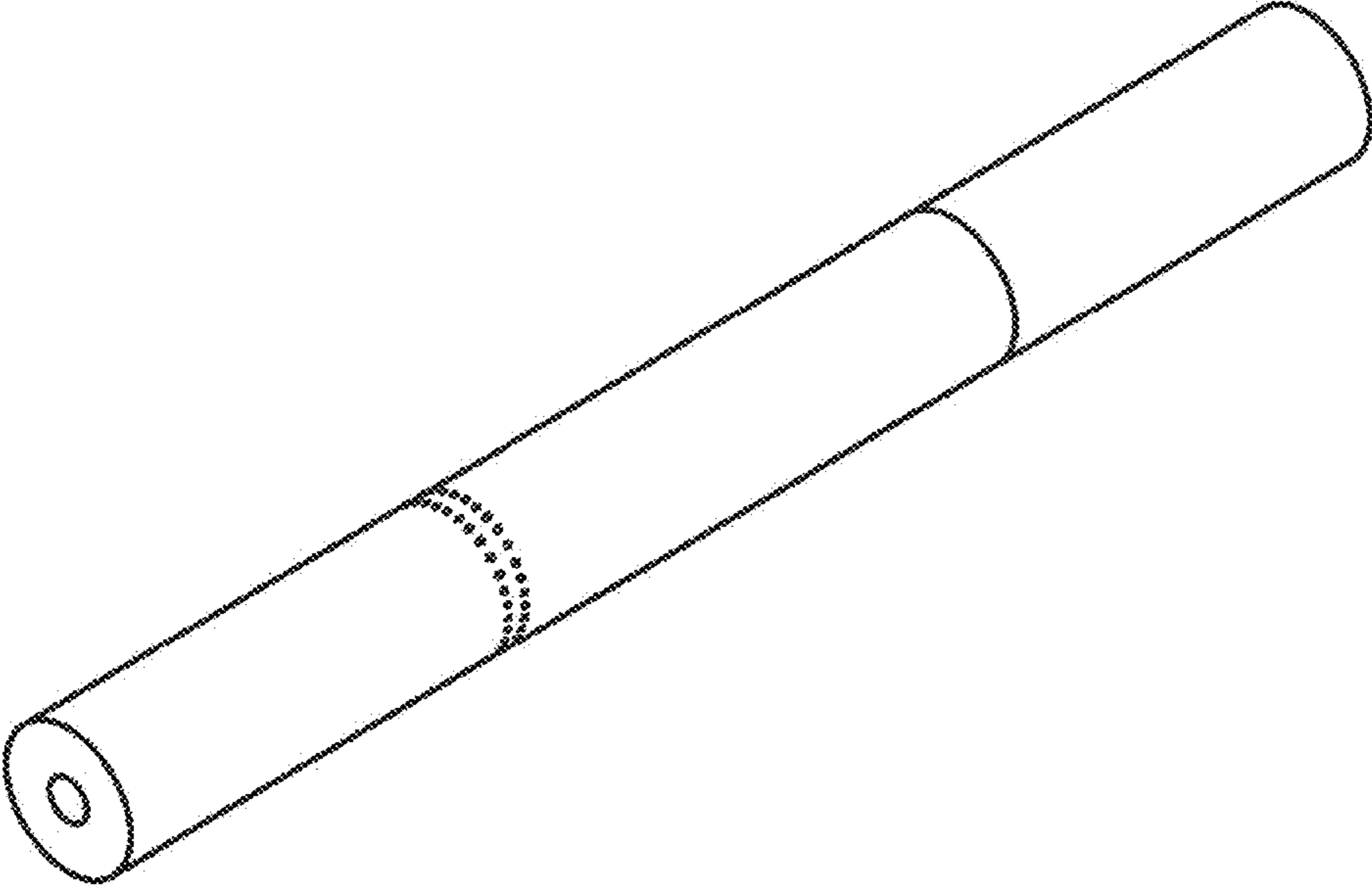


Fig. 1



Fig. 2



Fig. 3

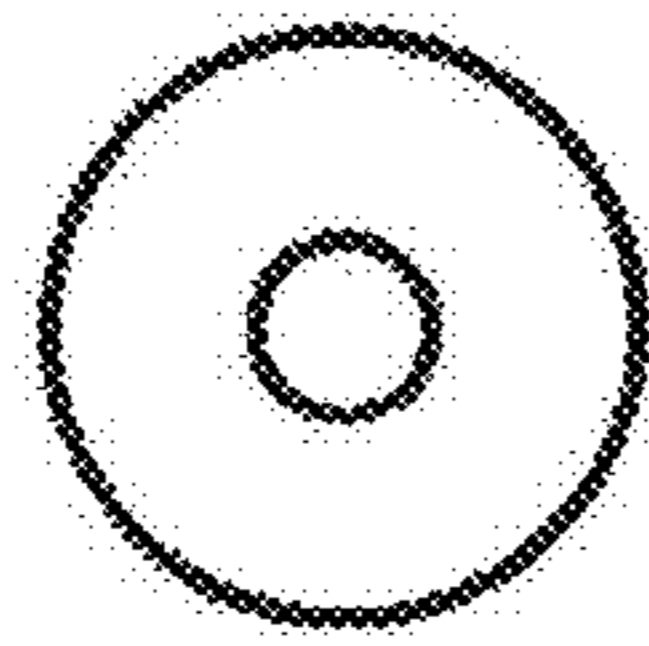
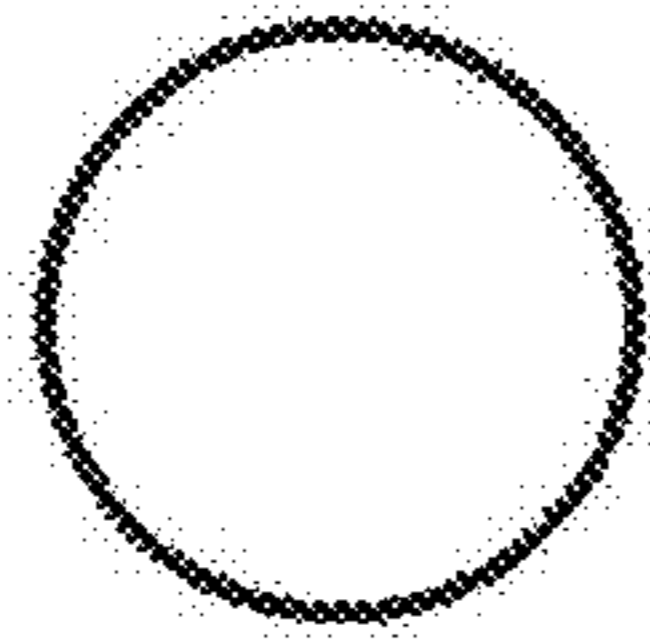


Fig. 4



**Fig. 5**





Fig. 6



Fig. 7

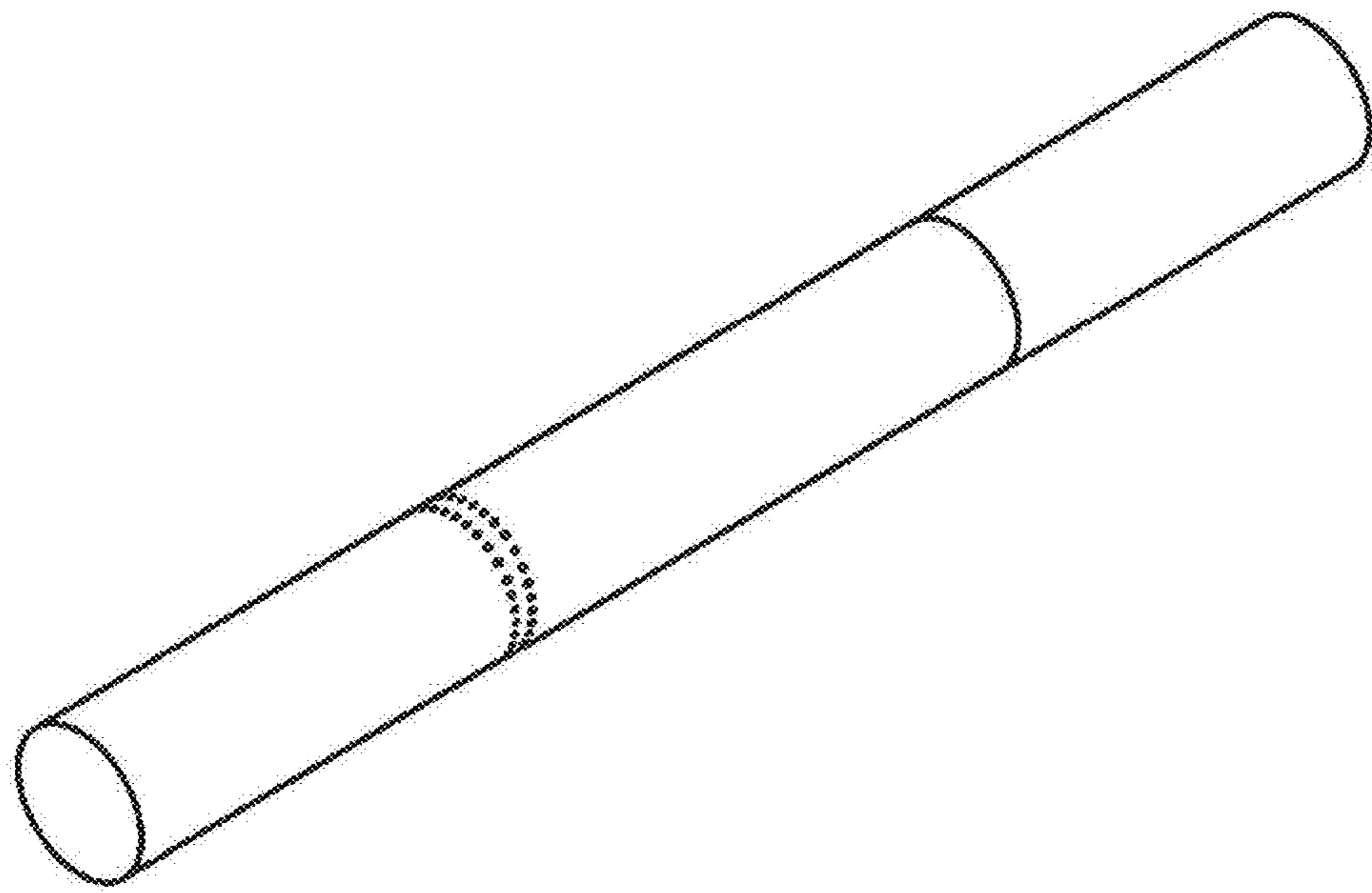


Fig. 8



Fig. 9



Fig. 10

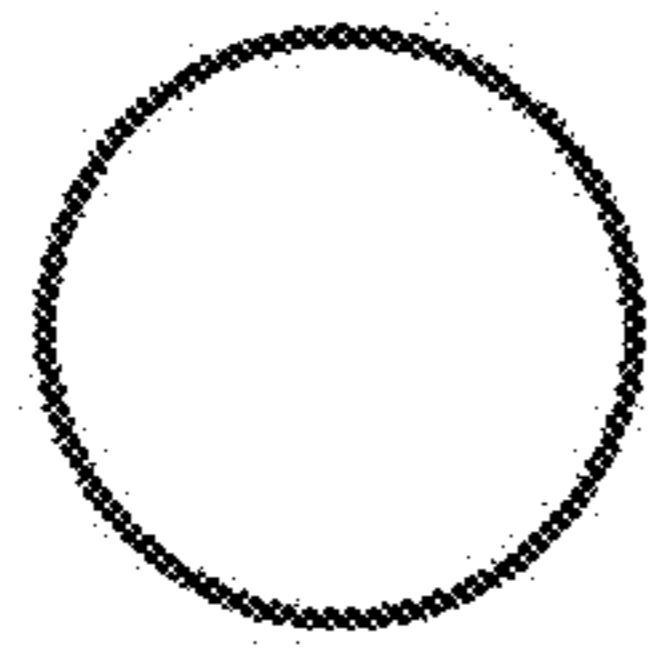
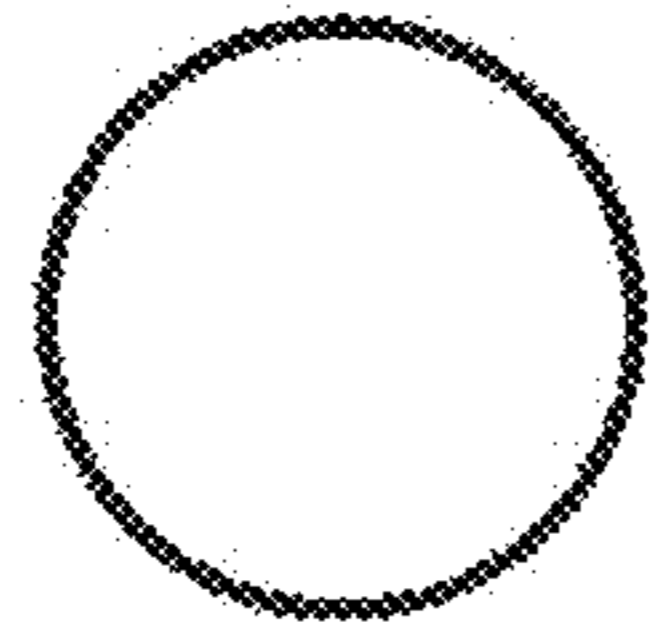


Fig. 11



**Fig. 12**



Fig. 13





Fig. 14

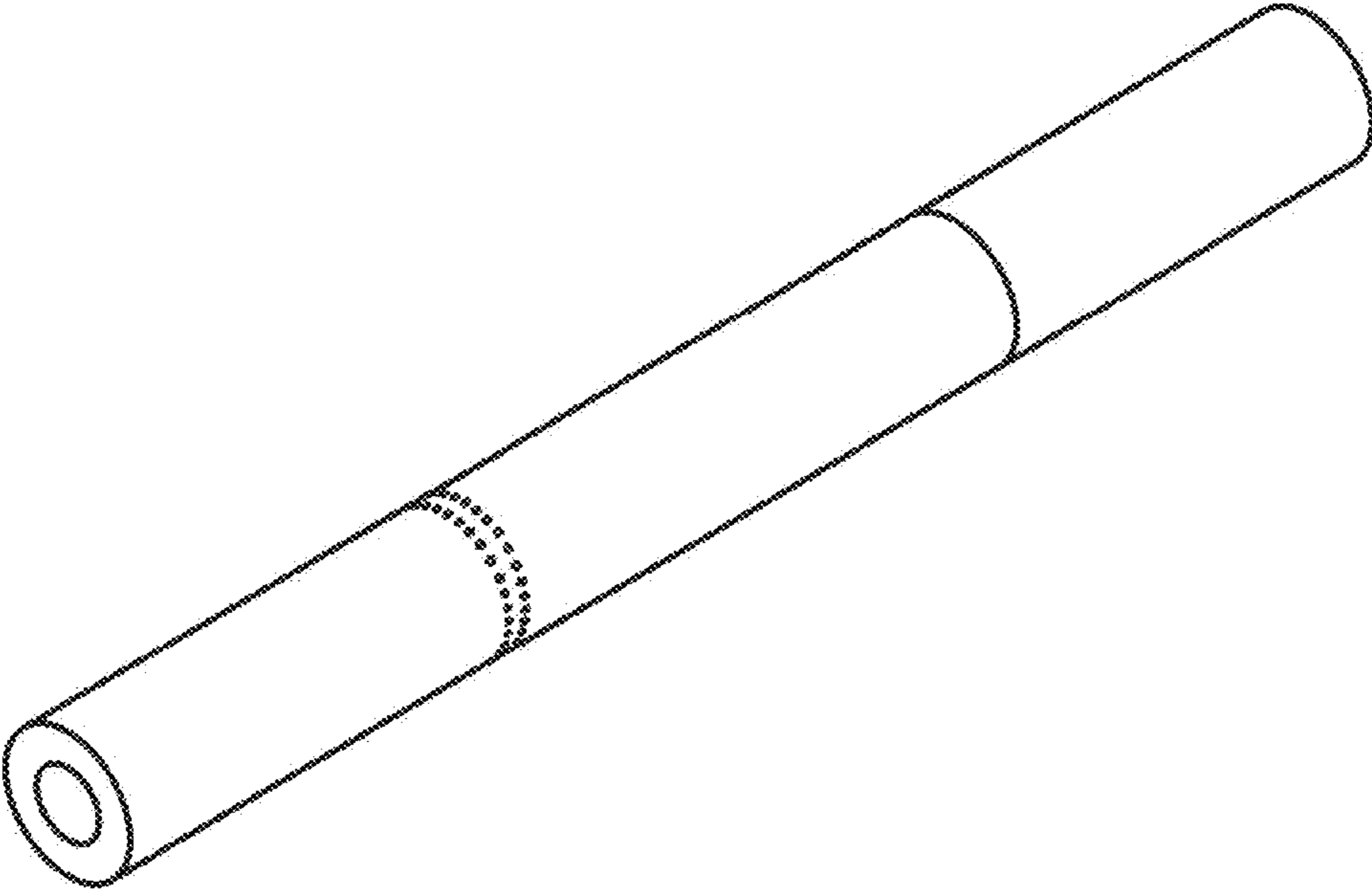


Fig. 15



Fig. 16



Fig. 17

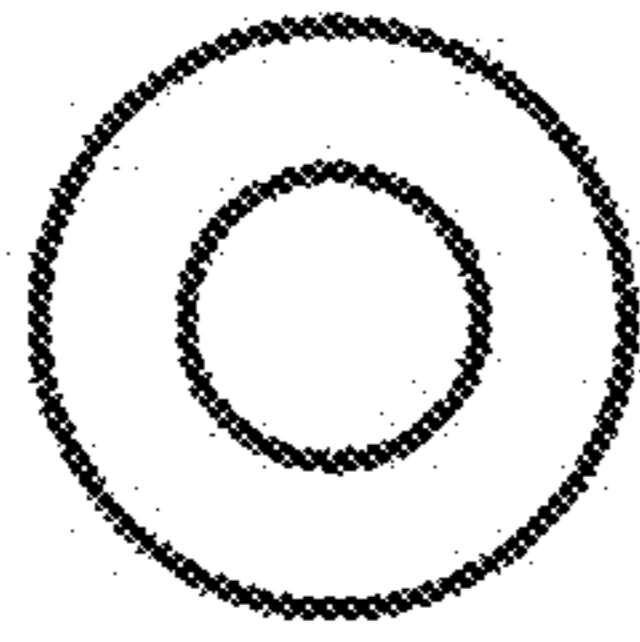


Fig. 18

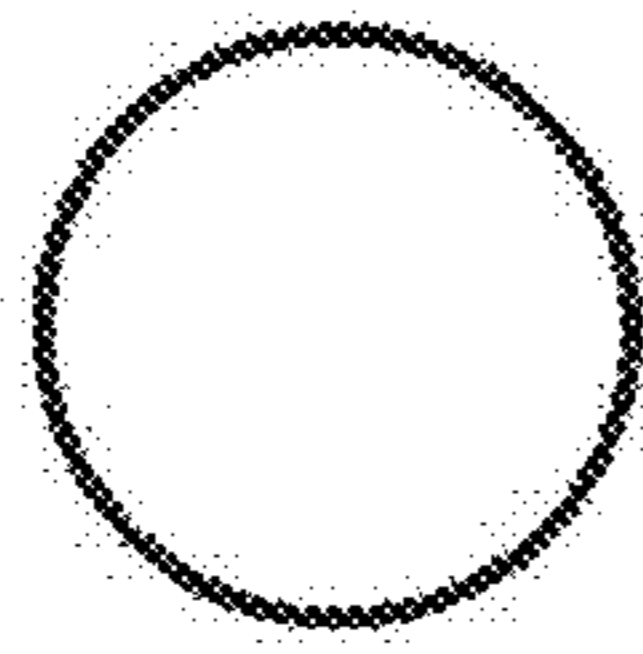


Fig. 19



Fig. 20



Fig. 21



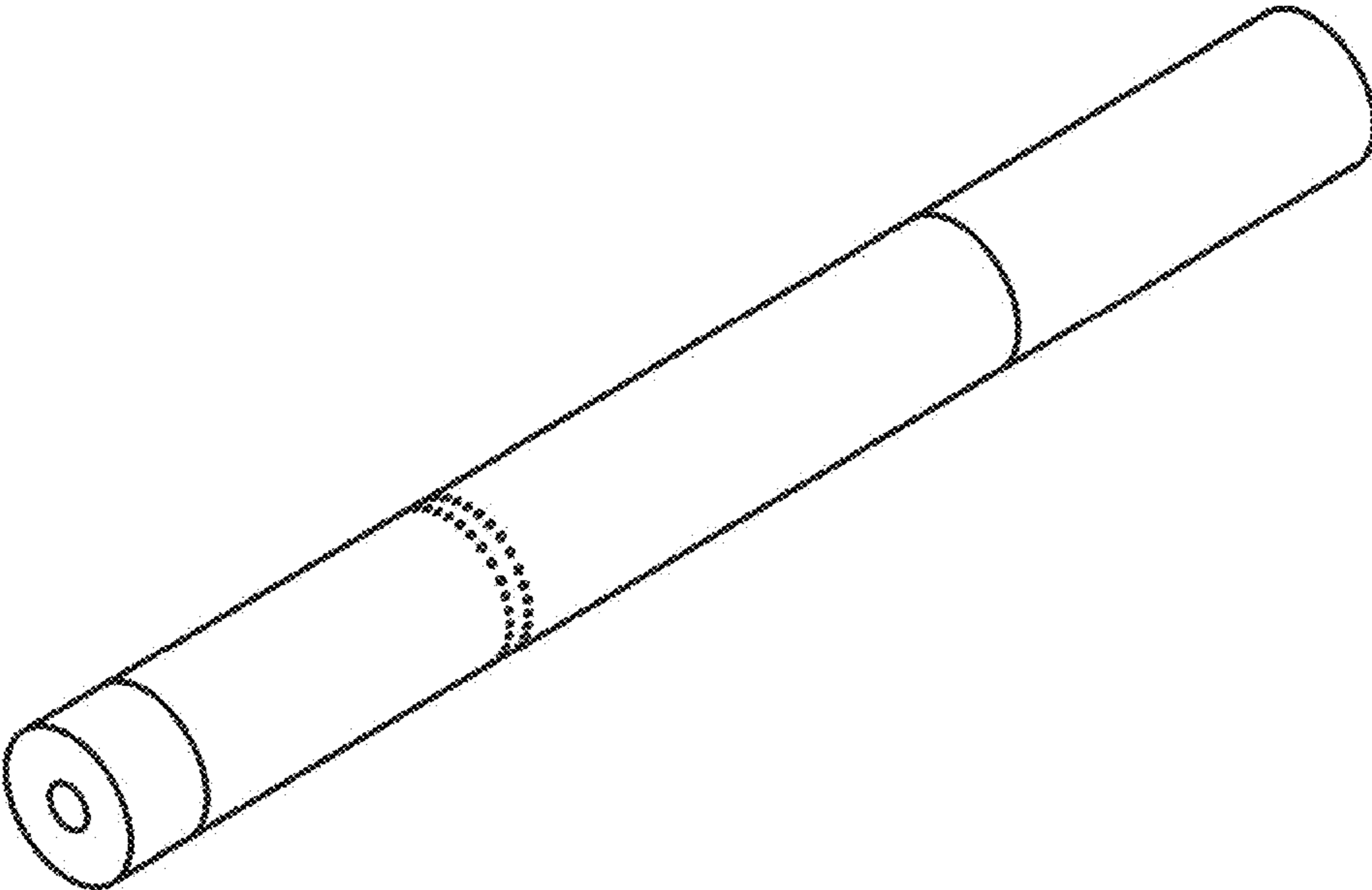


Fig. 22



Fig. 23



Fig. 24

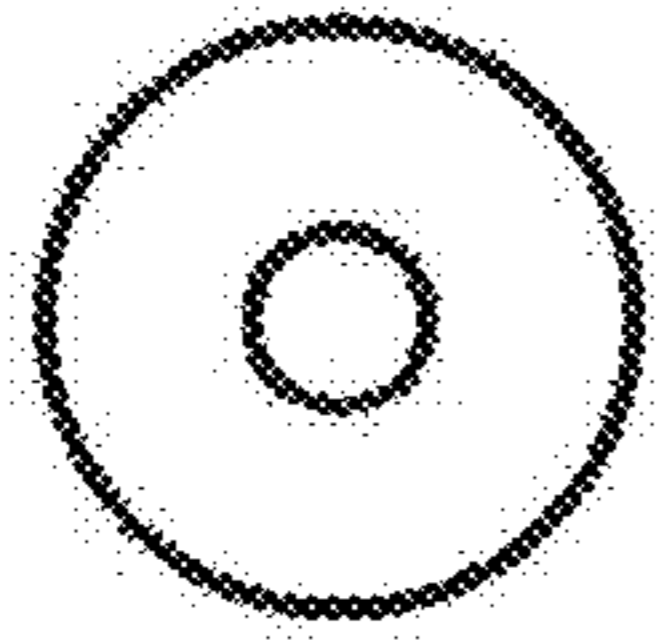


Fig. 25

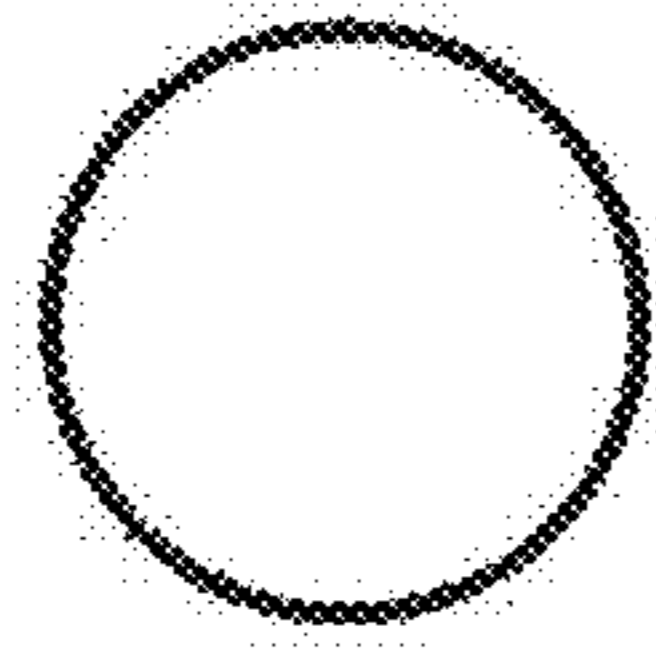


Fig. 26



Fig. 27



Fig. 28

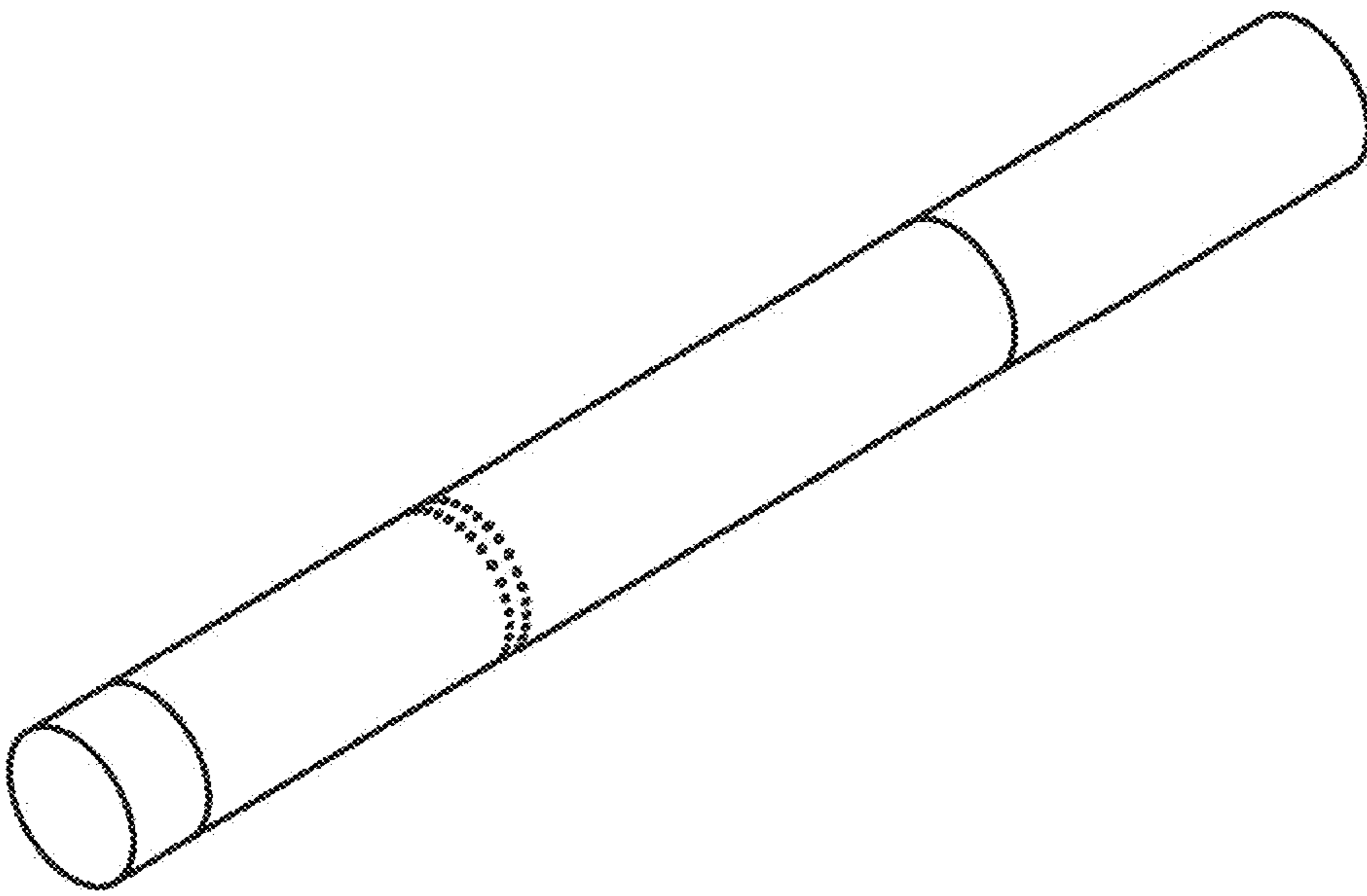


Fig. 29





Fig. 30



Fig. 31

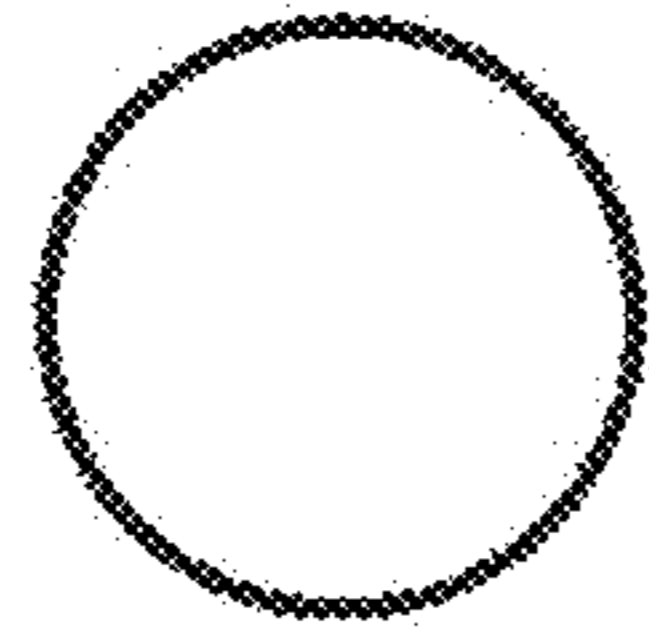
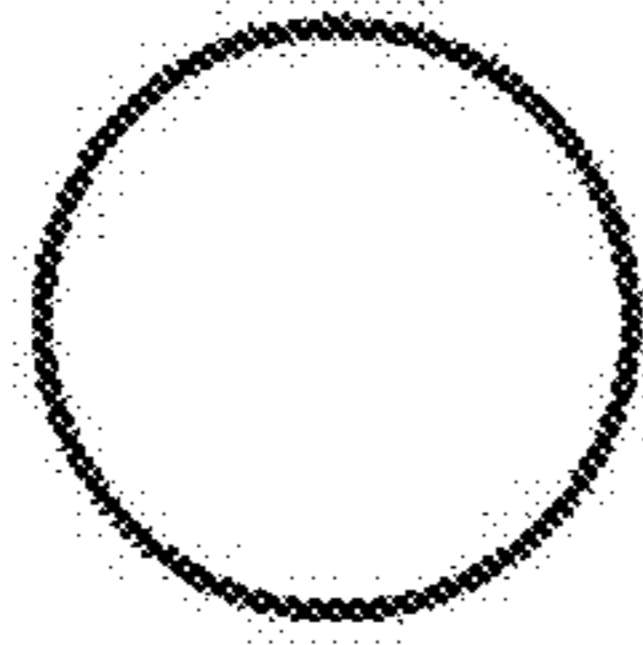


Fig. 32



**Fig. 33**



Fig. 34



Fig. 35

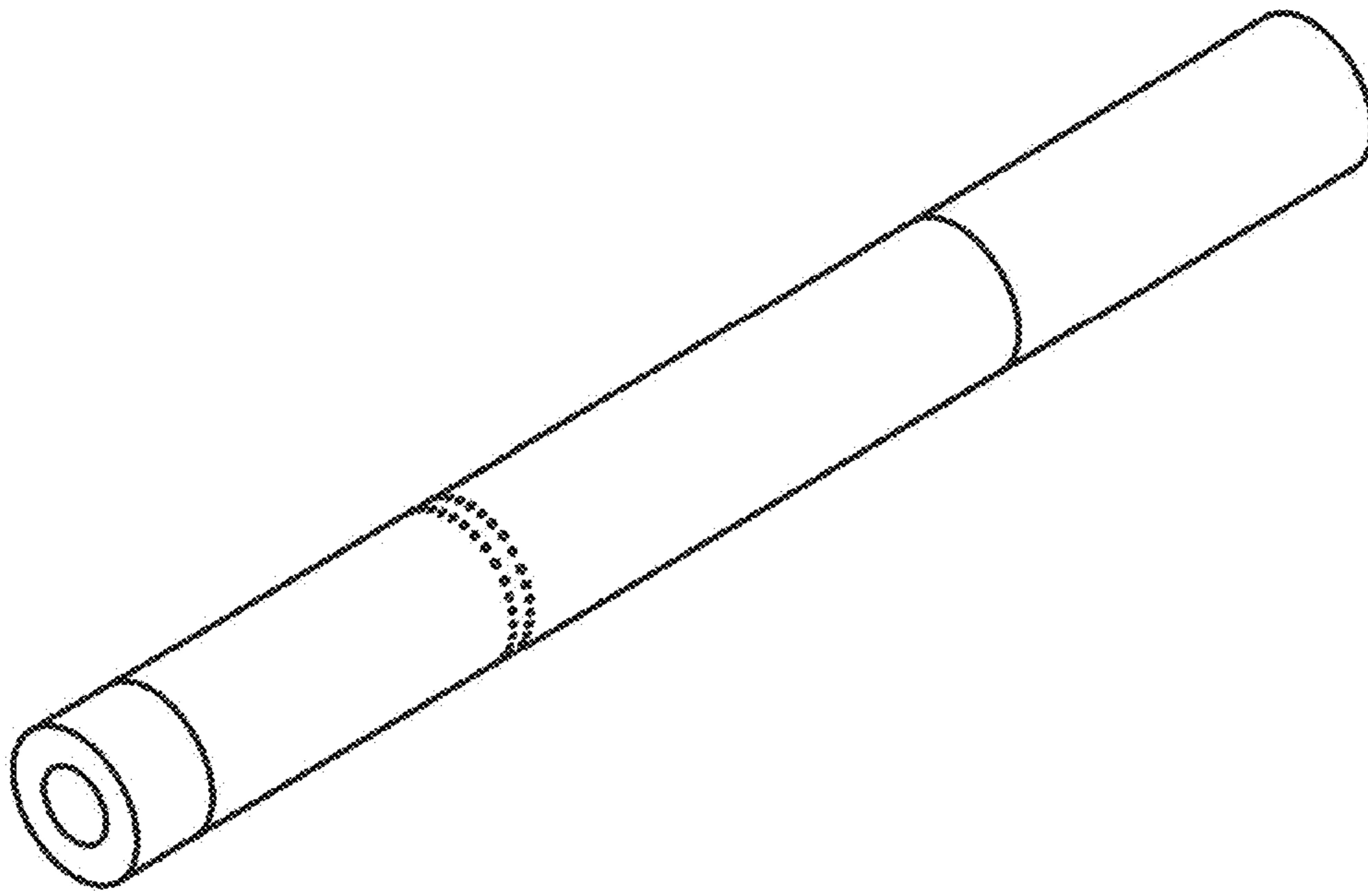


Fig. 36



Fig. 37





Fig. 38

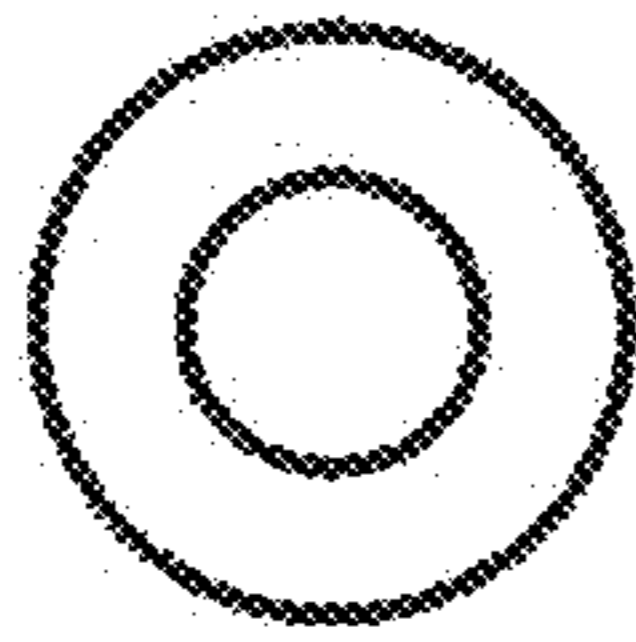


Fig. 39

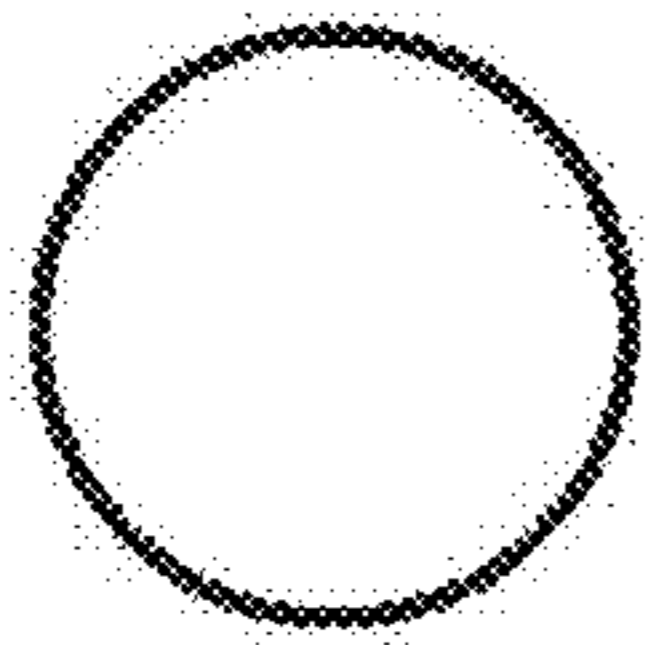


Fig. 40



Fig. 41



Fig. 42

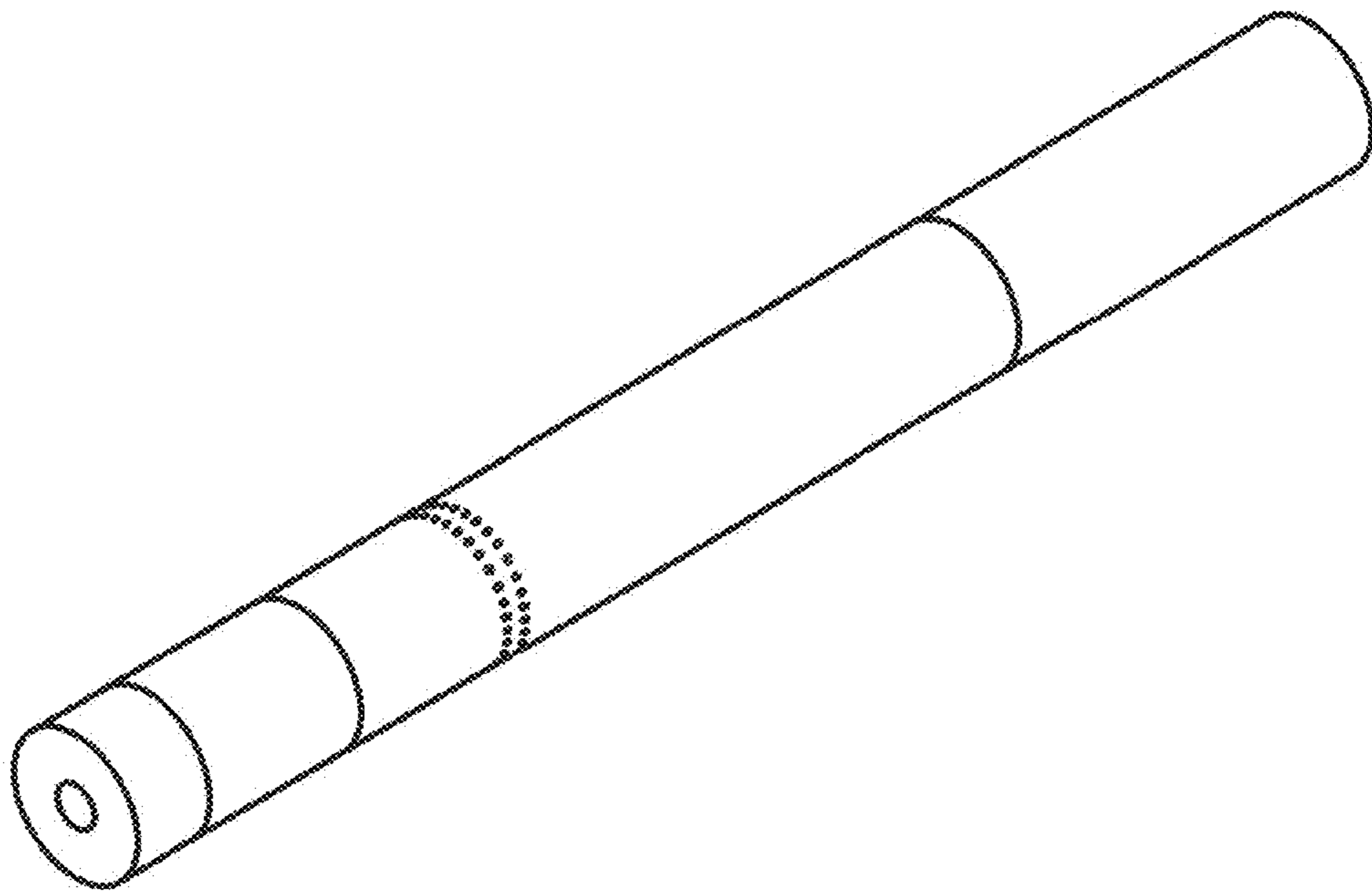


Fig. 43



Fig. 44



Fig. 45



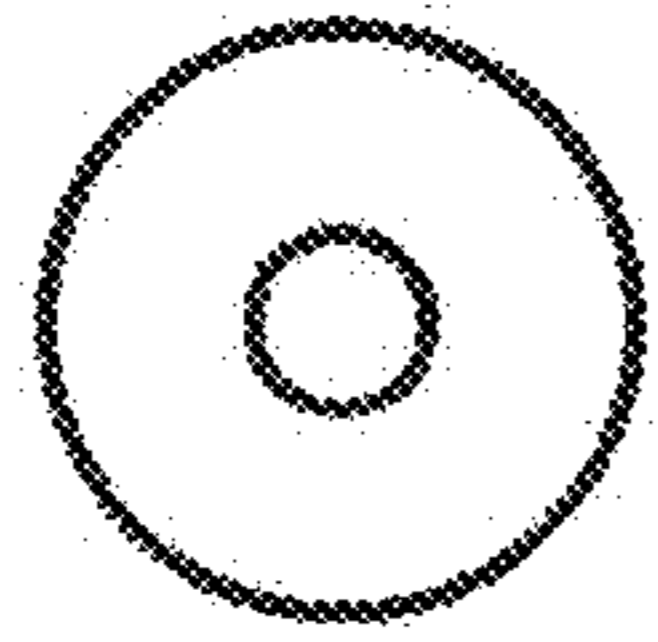


Fig. 46

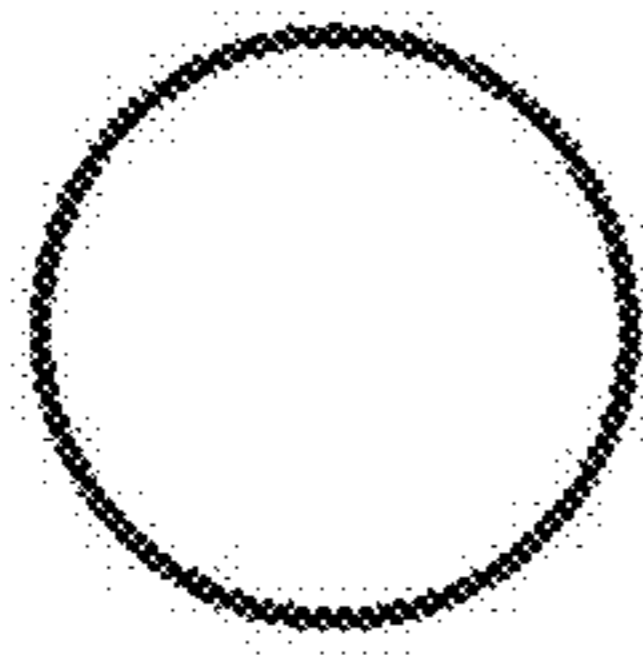


Fig. 47



Fig. 48



Fig. 49

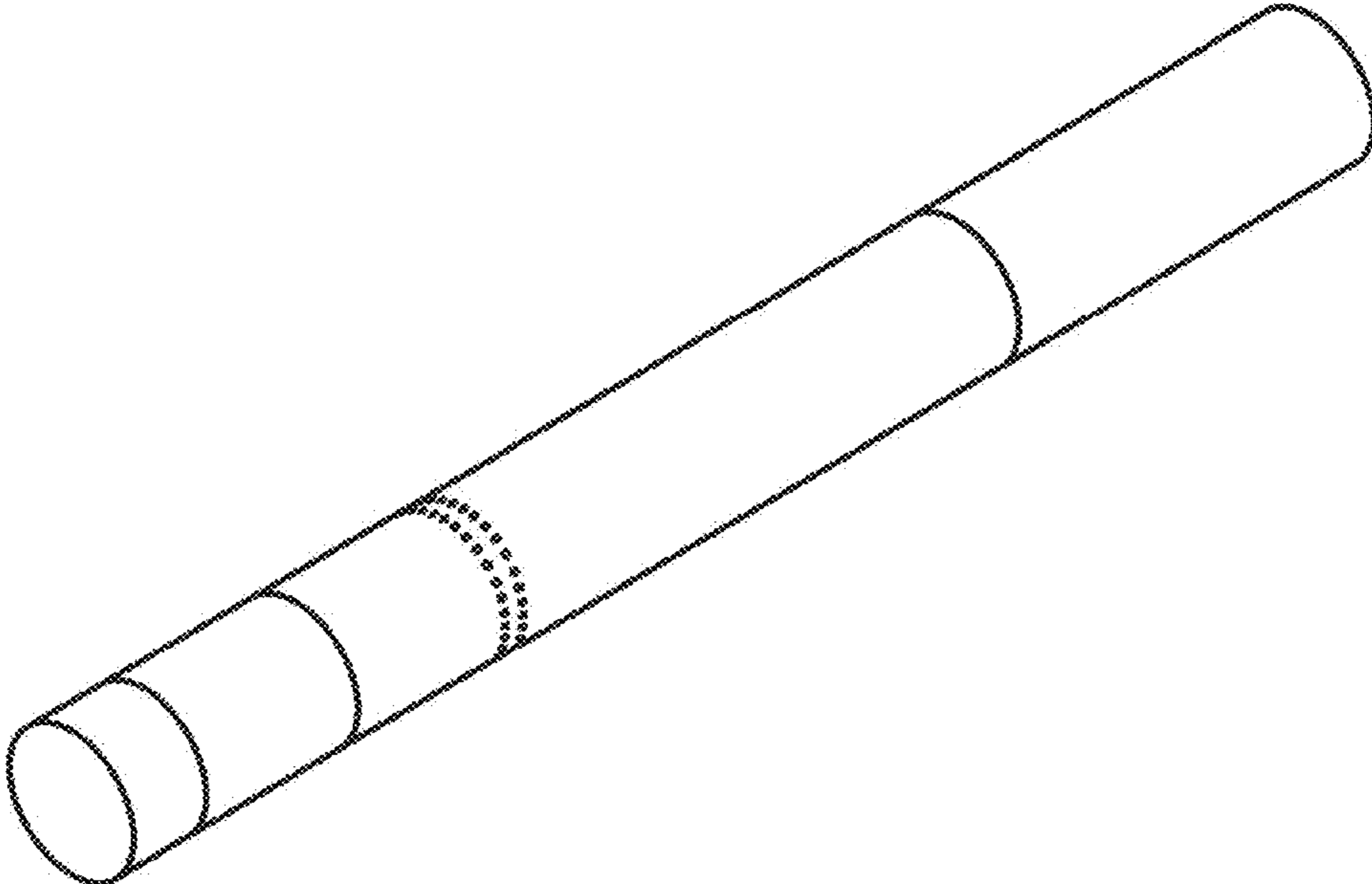


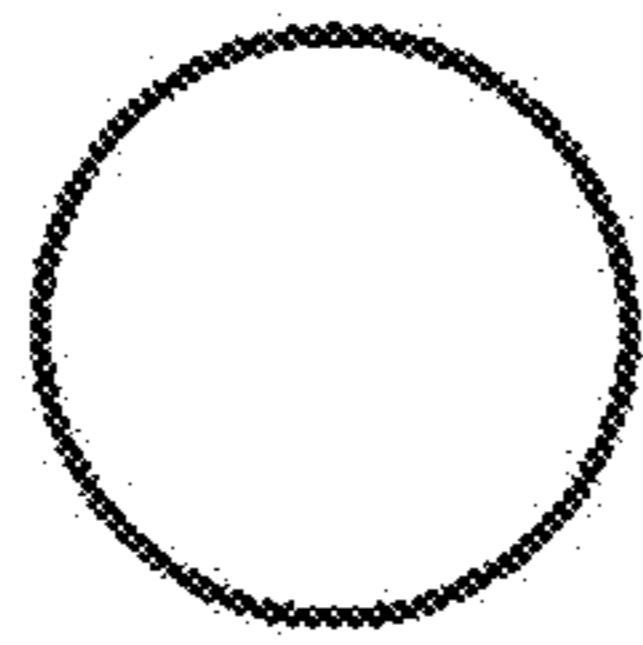
Fig. 50



Fig. 51



Fig. 52



**Fig. 53**



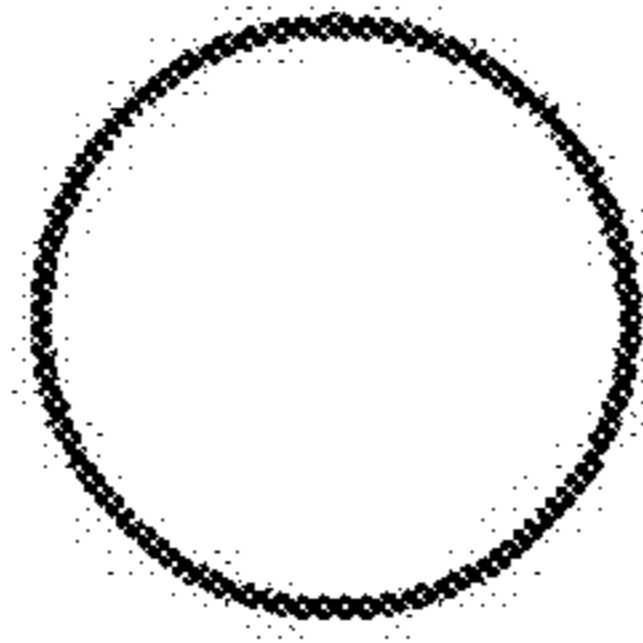


Fig. 54



Fig. 55



Fig. 56

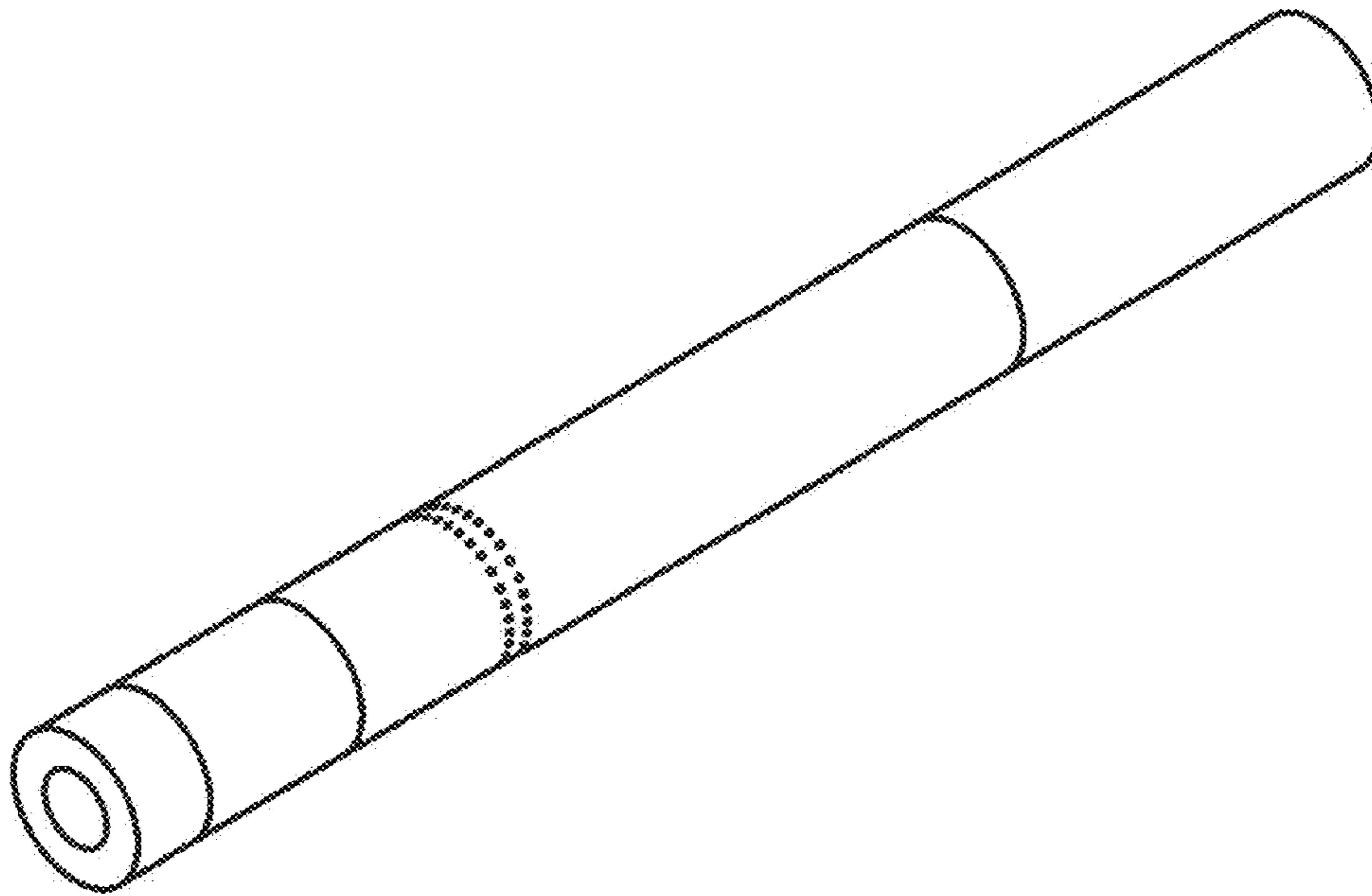


Fig. 57



Fig. 58



Fig. 59

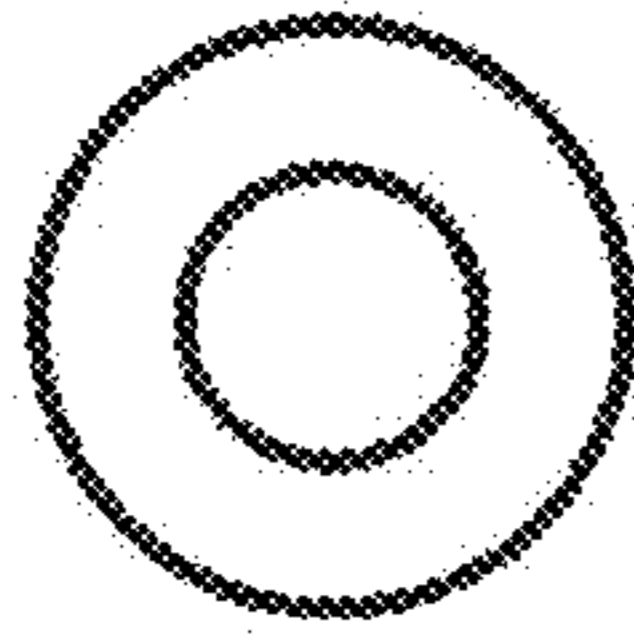
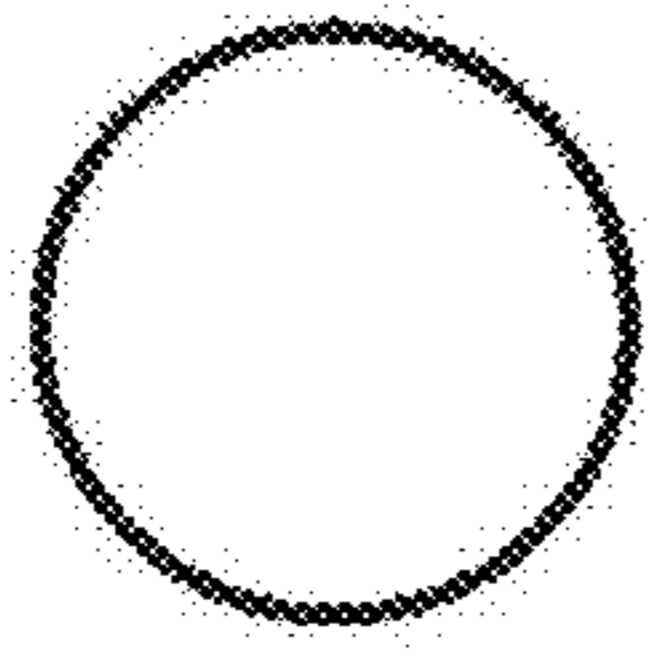


Fig. 60



**Fig. 61**





Fig. 62



Fig. 63