



US00D728153S

(12) **United States Design Patent**
Blessitt

(10) **Patent No.:** **US D728,153 S**

(45) **Date of Patent:** **** Apr. 28, 2015**

(54) **LUMINAIRE WITH A RETROFIT EDGELIT
BLADE**

(71) Applicant: **James Blessitt**, Peachtree City, GA (US)

(72) Inventor: **James Blessitt**, Peachtree City, GA (US)

(73) Assignee: **Cooper Technologies Company**,
Houston, TX (US)

(**) Term: **14 Years**

(21) Appl. No.: **29/462,884**

(22) Filed: **Aug. 9, 2013**

(51) **LOC (10) Cl.** **26-99**

(52) **U.S. Cl.**
USPC **D26/118**

(58) **Field of Classification Search**

CPC F21Y 2103/00; F21S 8/04; F21V 15/01
USPC D26/25–26, 28, 51, 55–57, 59–64, 66,
D26/72–91, 113, 118–120, 138, 140–142;
362/145–148, 150–153, 153.1, 217.01,
362/217.02, 217.05–217.07, 217.1, 217.15,
362/218, 223, 241, 249, 249.02, 296.07,
362/296.08, 294, 299, 311.02, 362, 373,
362/600, 608, 609, 640, 641; D11/142,
D11/143, 144, 155

See application file for complete search history.

(56) **References Cited**

U.S. PATENT DOCUMENTS

4,622,624 A * 11/1986 McCarthy et al. 362/217.02
D305,943 S * 2/1990 Ossip-Klein D26/118
D374,301 S * 10/1996 Kleffman D26/76
D544,993 S * 6/2007 Mayfield et al. D26/118
D577,857 S * 9/2008 Tress et al. D26/141
D606,227 S * 12/2009 Erickson et al. D26/72
D608,490 S * 1/2010 Chung et al. D26/118
D608,932 S * 1/2010 Castelli D26/76
D698,973 S * 2/2014 Santoro et al. D26/74
2014/0268765 A1 * 9/2014 Sieberth et al. 362/249.01

* cited by examiner

Primary Examiner — Garth Rademaker

Assistant Examiner — Llorellys Martinez-Rivera

(74) *Attorney, Agent, or Firm* — King & Spalding LLP

(57) **CLAIM**

The ornamental design for a luminaire with a retrofit edgelit blade, as shown and described.

DESCRIPTION

FIG. 1 is a bottom perspective view of a luminaire with a retrofit edgelit blade, showing my new design; FIG. 2 is a top perspective view thereof; FIG. 3 is a bottom plan view thereof; FIG. 4 is a top plan view thereof; FIG. 5 is a left side elevation view thereof; FIG. 6 is a right side elevation view thereof; FIG. 7 is a front side elevation view thereof; and, FIG. 8 is a rear side elevation view thereof. The broken lines shown illustrate portions of the luminaire with a retrofit edgelit blade, which form no part of the claimed design.

1 Claim, 4 Drawing Sheets

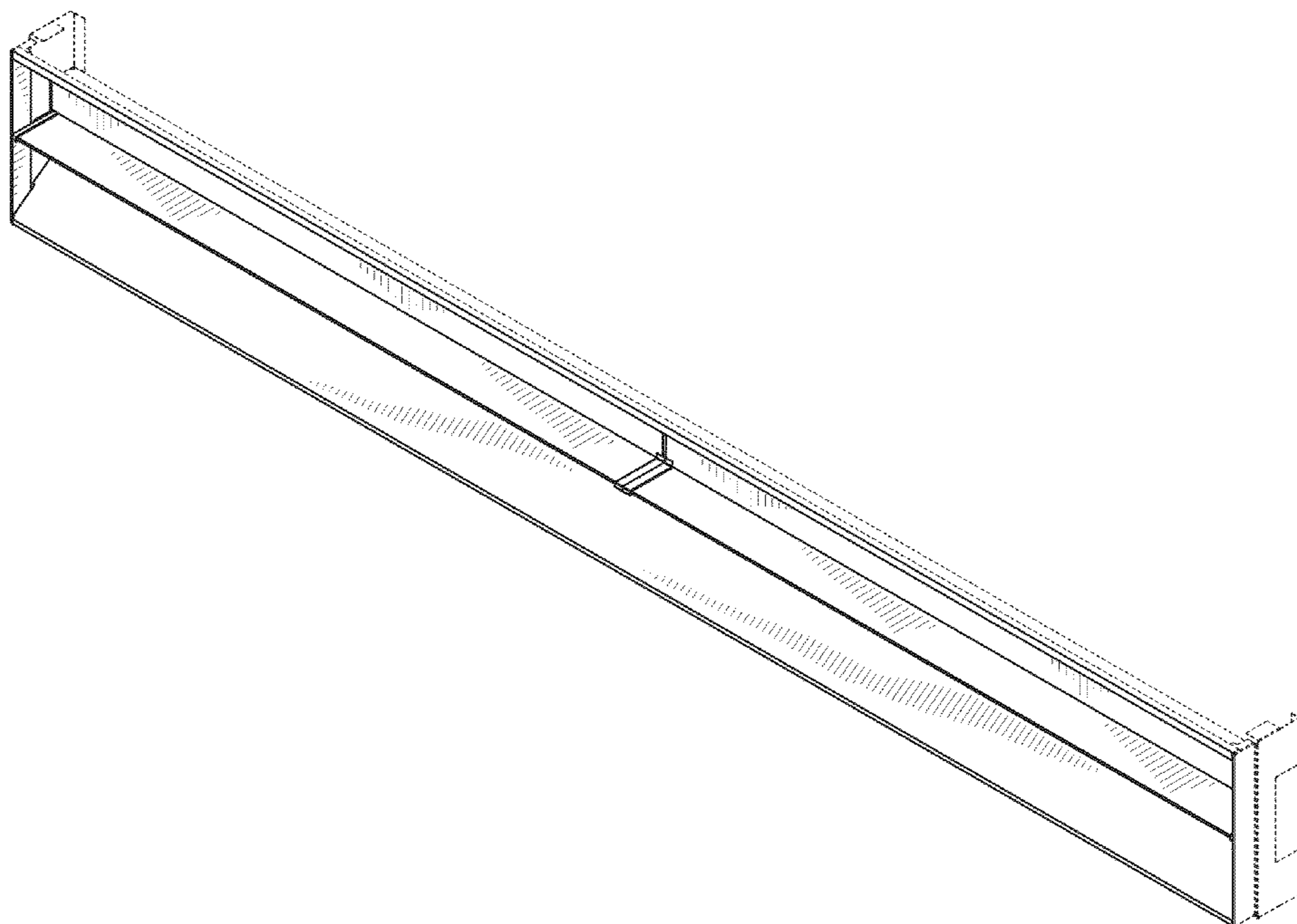


FIG. 1

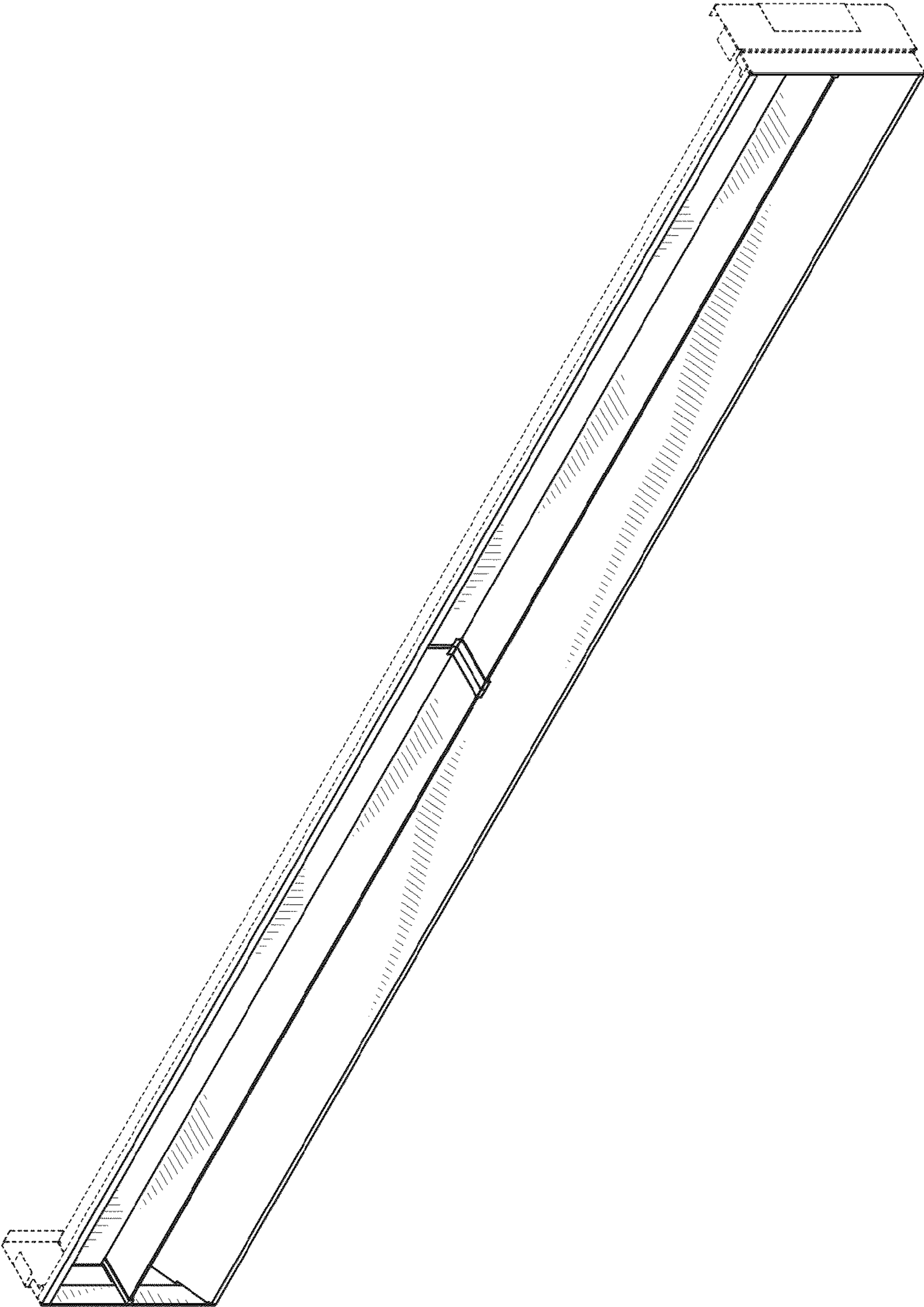


FIG. 2

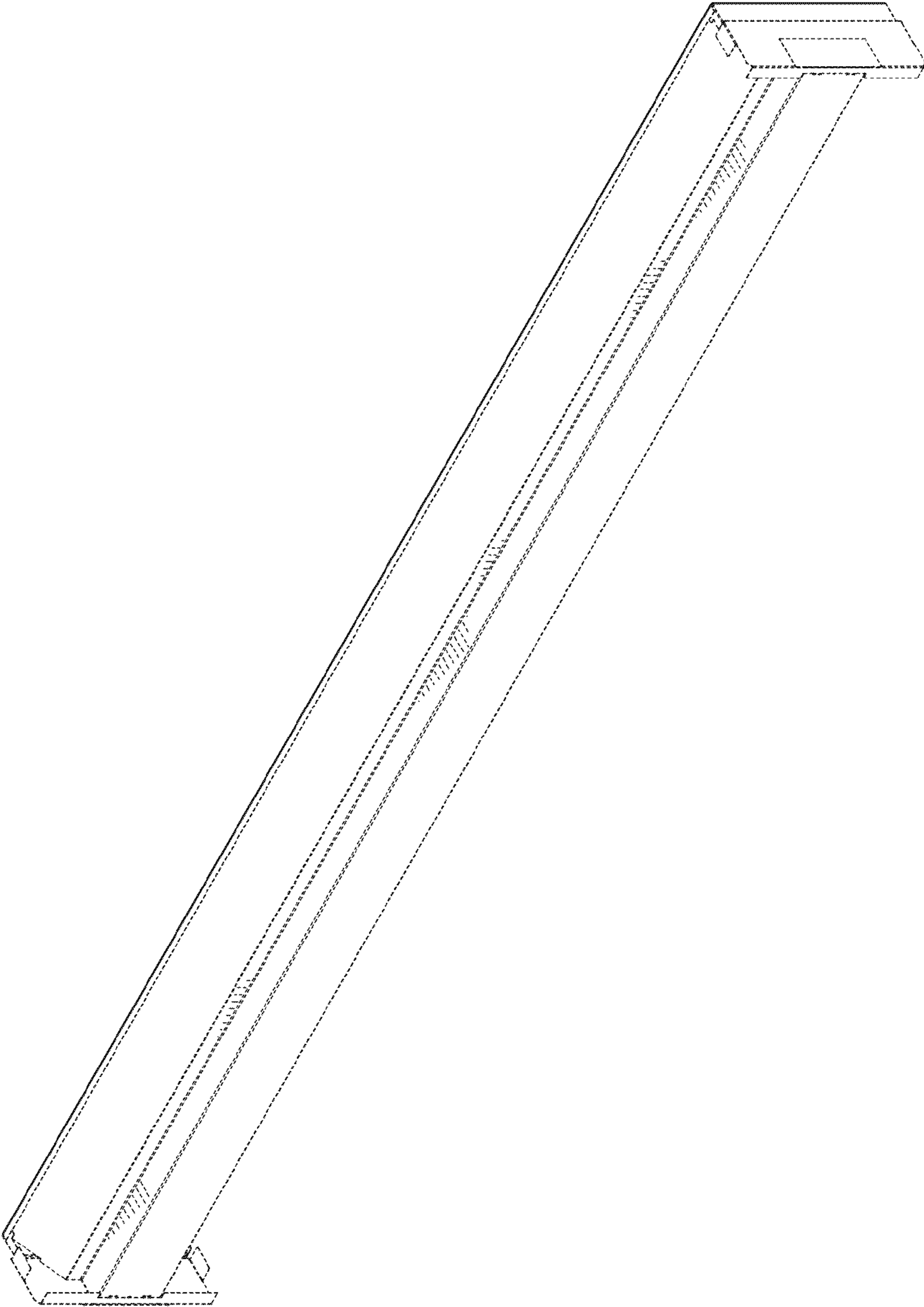


FIG. 3

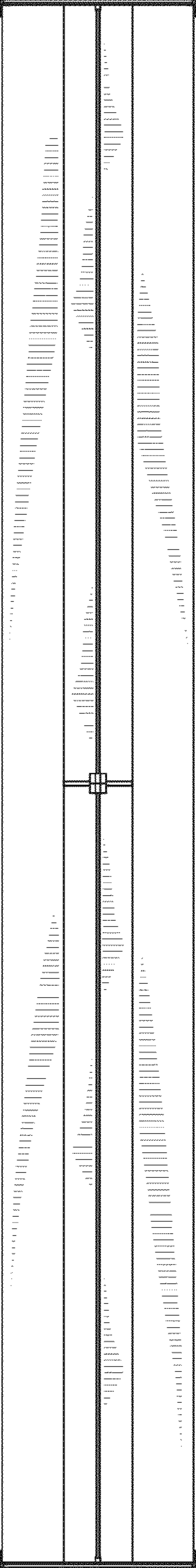


FIG. 4

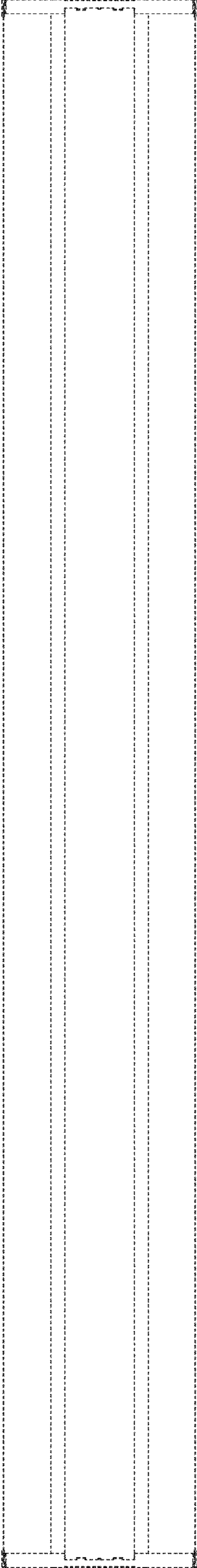


FIG. 5

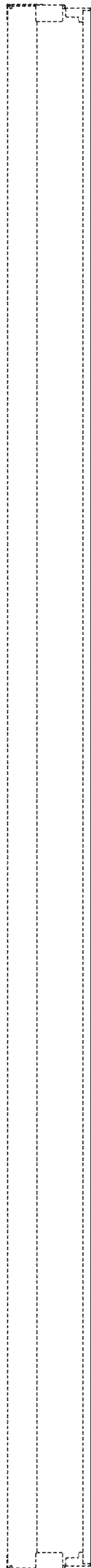


FIG. 6

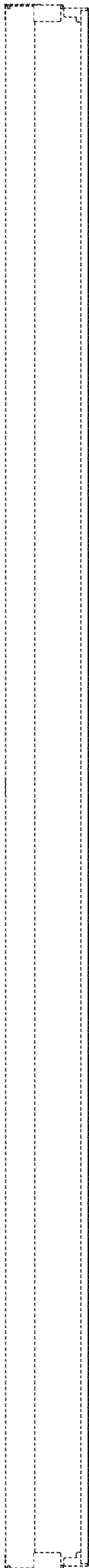


FIG. 7

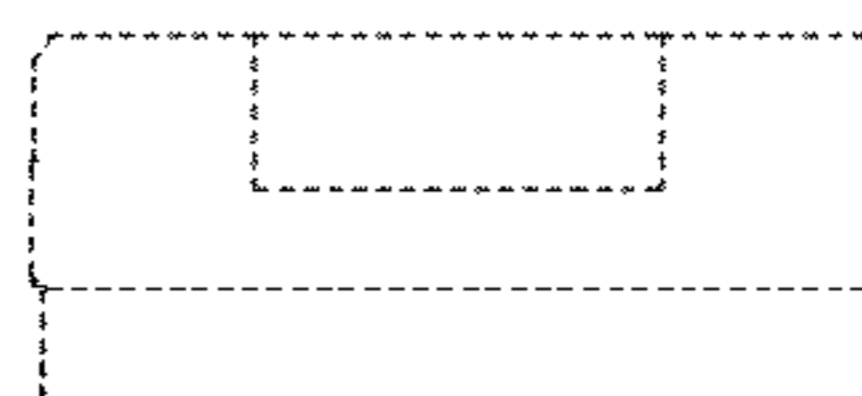


FIG. 8

