



US00D728151S

(12) **United States Design Patent**
Hiller

(10) **Patent No.:** **US D728,151 S**

(45) **Date of Patent:** **** Apr. 28, 2015**

(54) **LIGHT FIXTURE**

(71) Applicant: **Kason Industries, Inc.**, Newnan, GA
(US)

(72) Inventor: **Raymond J Hiller**, Newnan, GA (US)

(73) Assignee: **Kason Industries, Inc.**, Newnan, GA
(US)

(**) Term: **14 Years**

(21) Appl. No.: **29/507,908**

(22) Filed: **Oct. 31, 2014**

(51) **LOC (10) Cl.** **26-03**

(52) **U.S. Cl.**
USPC **D26/89**

(58) **Field of Classification Search**
USPC D26/72, 80, 85, 89, 118, 128; 362/147,
362/235, 311.01, 311.02, 545, 546, 432
See application file for complete search history.

(56) **References Cited**

U.S. PATENT DOCUMENTS

D91,888 S *	4/1934	Kremer	D26/128
D96,270 S *	7/1935	Miller	D26/128
D110,164 S *	6/1938	Arenberg	D26/24
D110,165 S *	6/1938	Arenberg	D26/85
D158,917 S *	6/1950	Wince	D26/85
D180,531 S *	6/1957	Stevens	D26/128
3,038,062 A *	6/1962	Lieberman	362/229

D312,842 S *	12/1990	Younger et al.	D20/42
D336,863 S *	6/1993	MacKenzie	D10/114.1
D357,997 S *	5/1995	Wegrzyn et al.	D26/85
D537,186 S *	2/2007	Weddell	D26/80
D616,593 S *	5/2010	Jean	D26/85
D696,809 S *	12/2013	Zhang et al.	D26/72

* cited by examiner

Primary Examiner — Clare E Heflin

(74) *Attorney, Agent, or Firm* — Baker Donelson; Dorian B. Kennedy

(57) **CLAIM**

The ornamental design for a light fixture, as shown and described.

DESCRIPTION

FIG. 1 is a perspective view of a light fixture showing my new design.

FIG. 2 is a left side view thereof.

FIG. 3 is a right side view thereof.

FIG. 4 is a front view thereof.

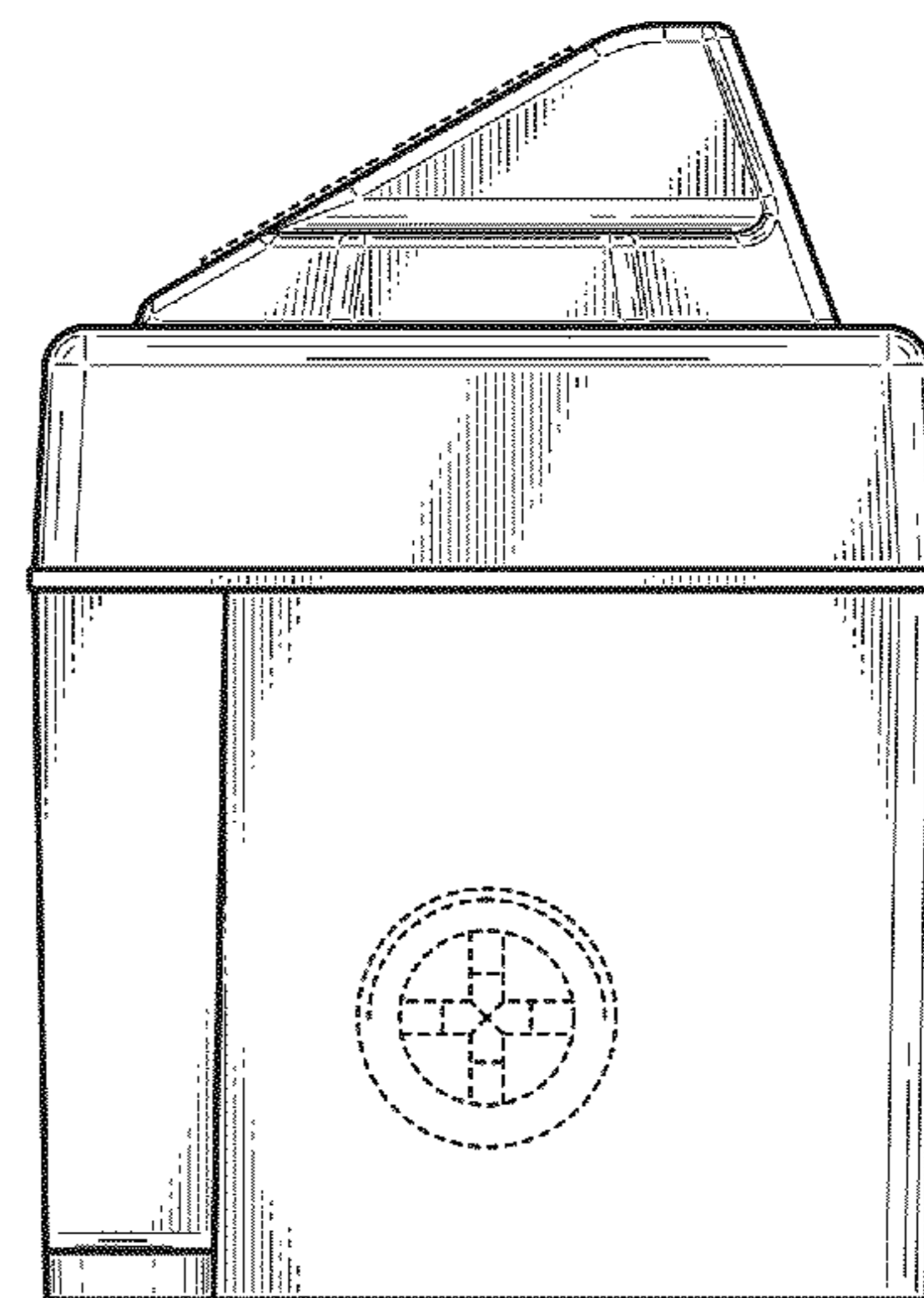
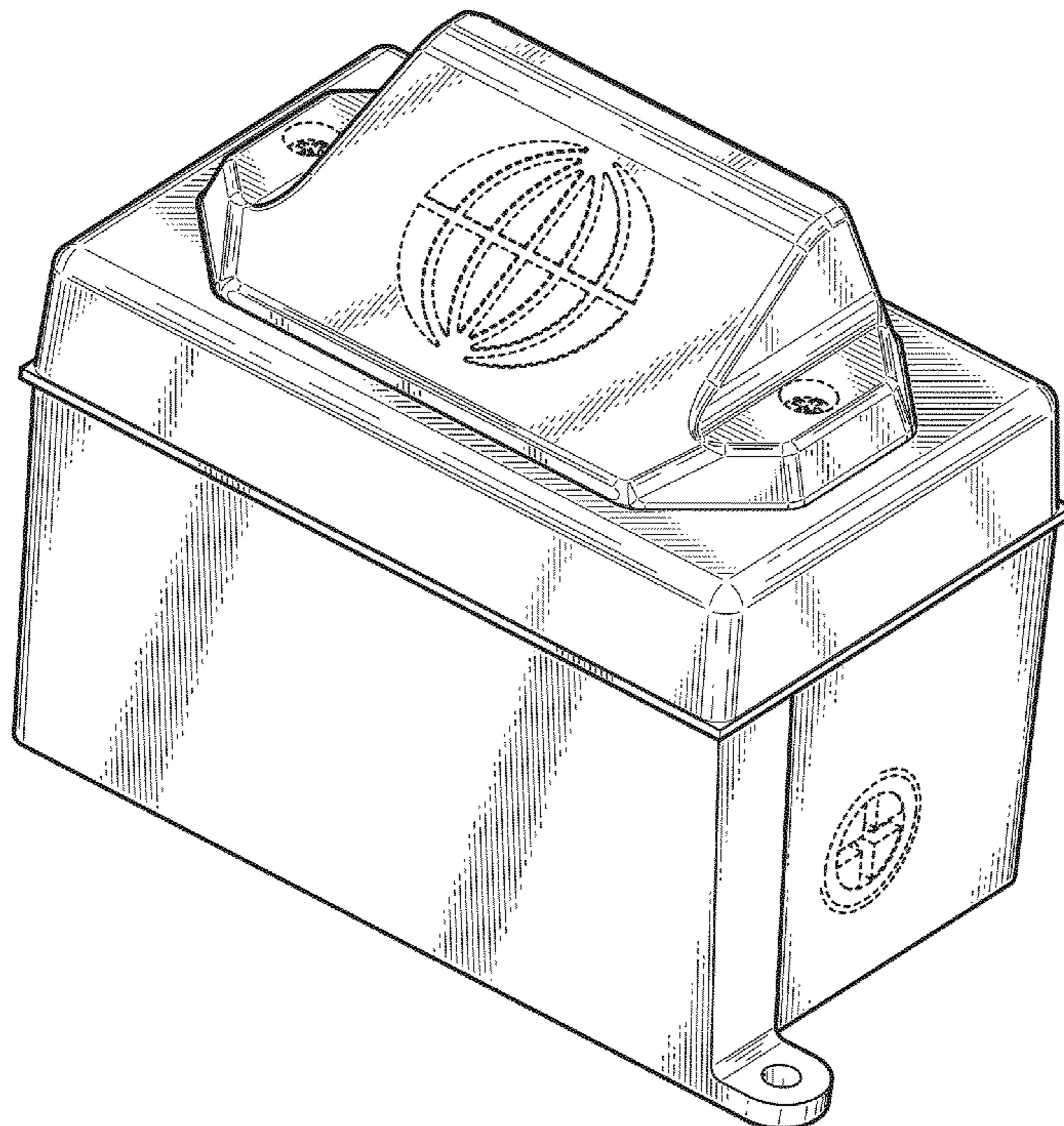
FIG. 5 is a rear view thereof.

FIG. 6 is a top view thereof; and,

FIG. 7 is a bottom view thereof.

The broken lines depict portions of the light fixture that form no part of the claimed design.

1 Claim, 4 Drawing Sheets



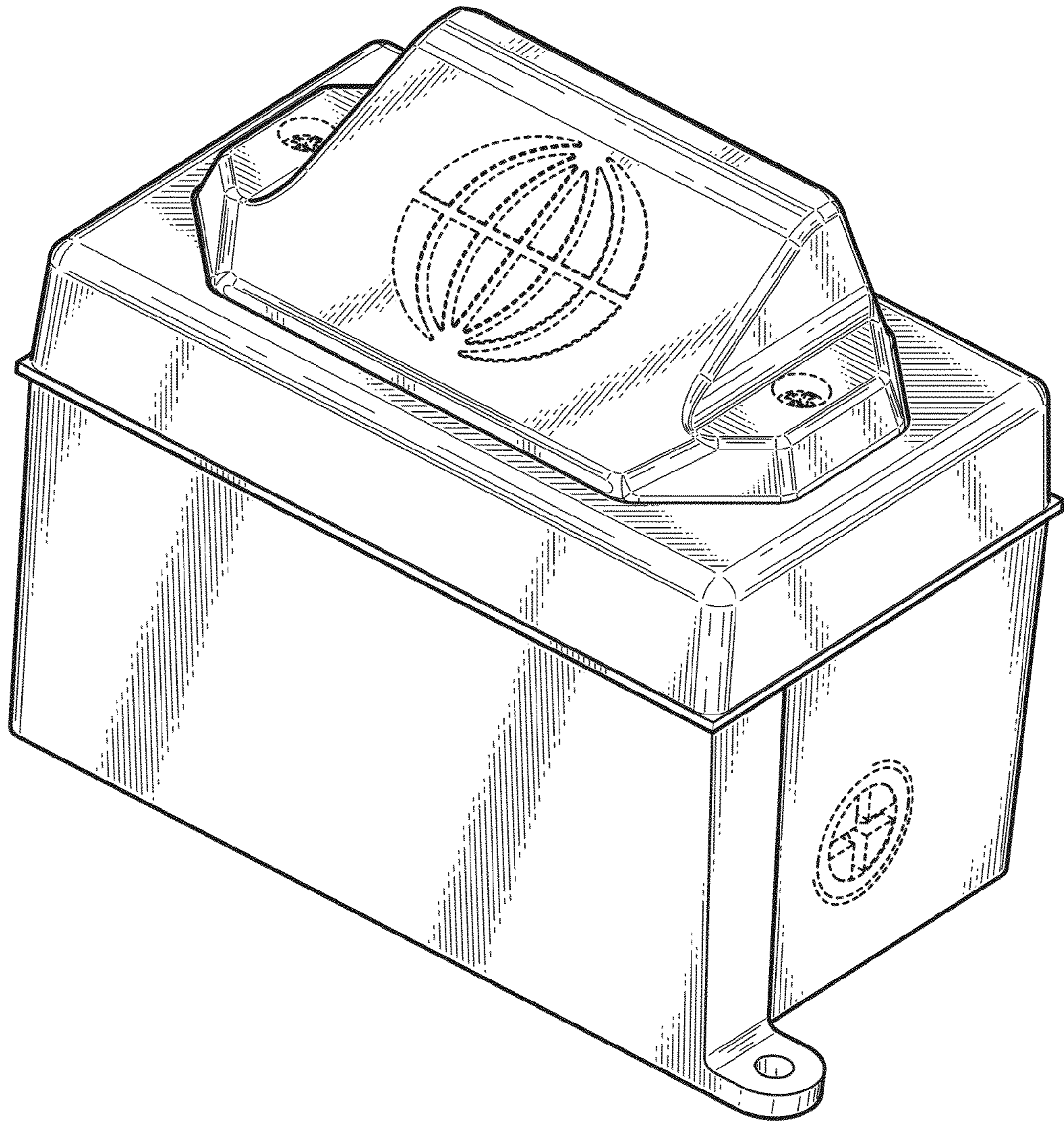


FIG. 1

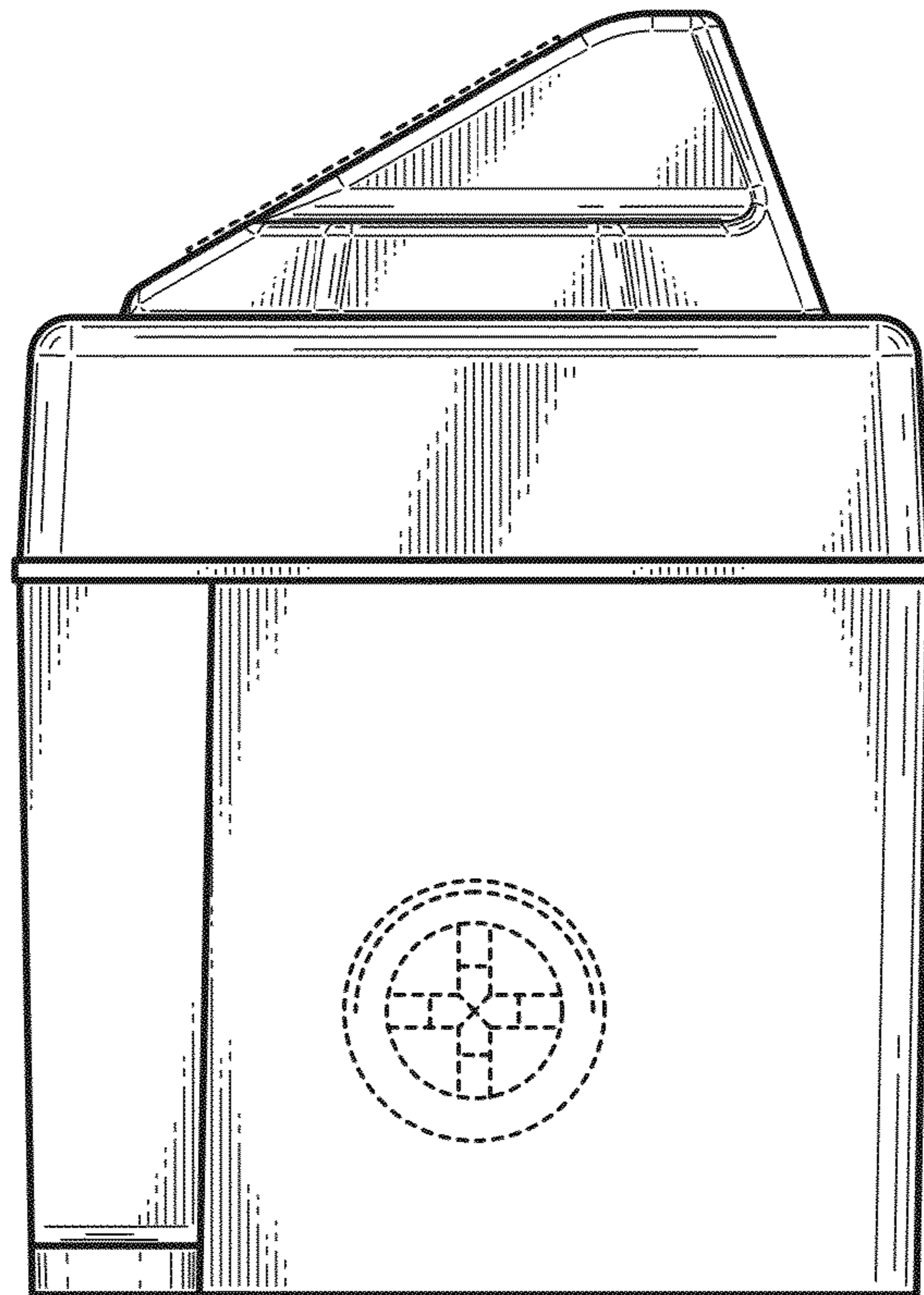


FIG. 2

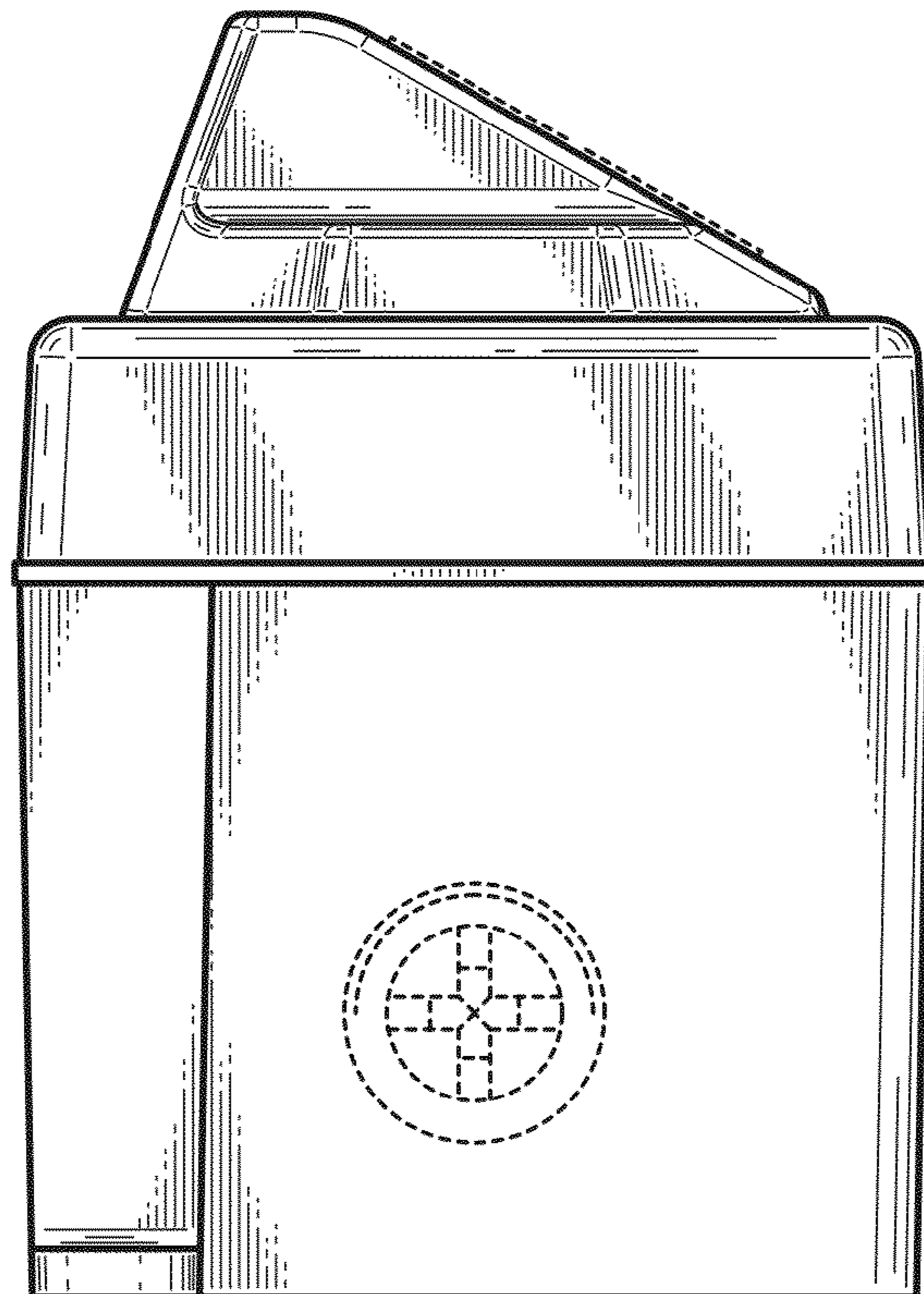


FIG. 3

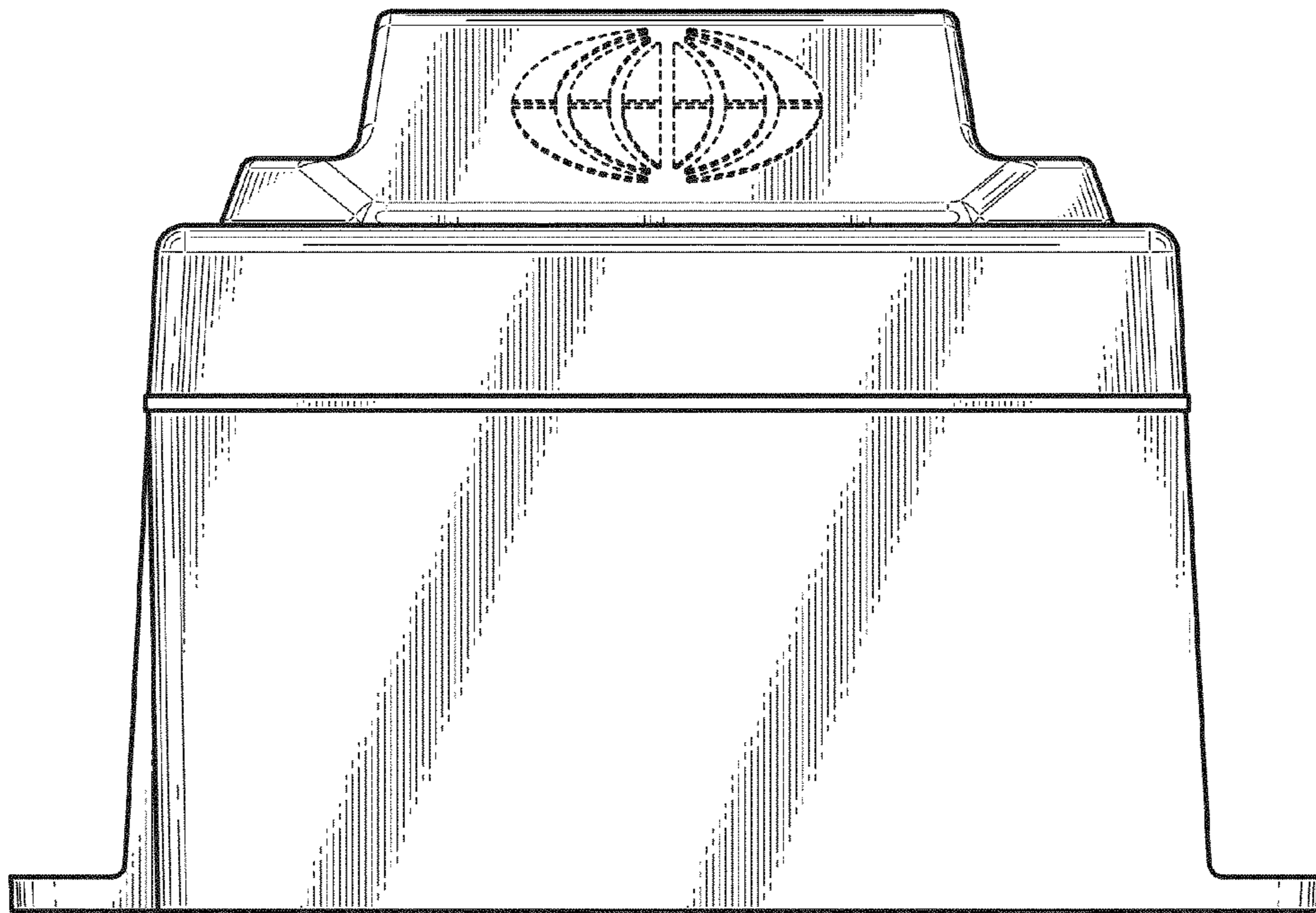


FIG. 4

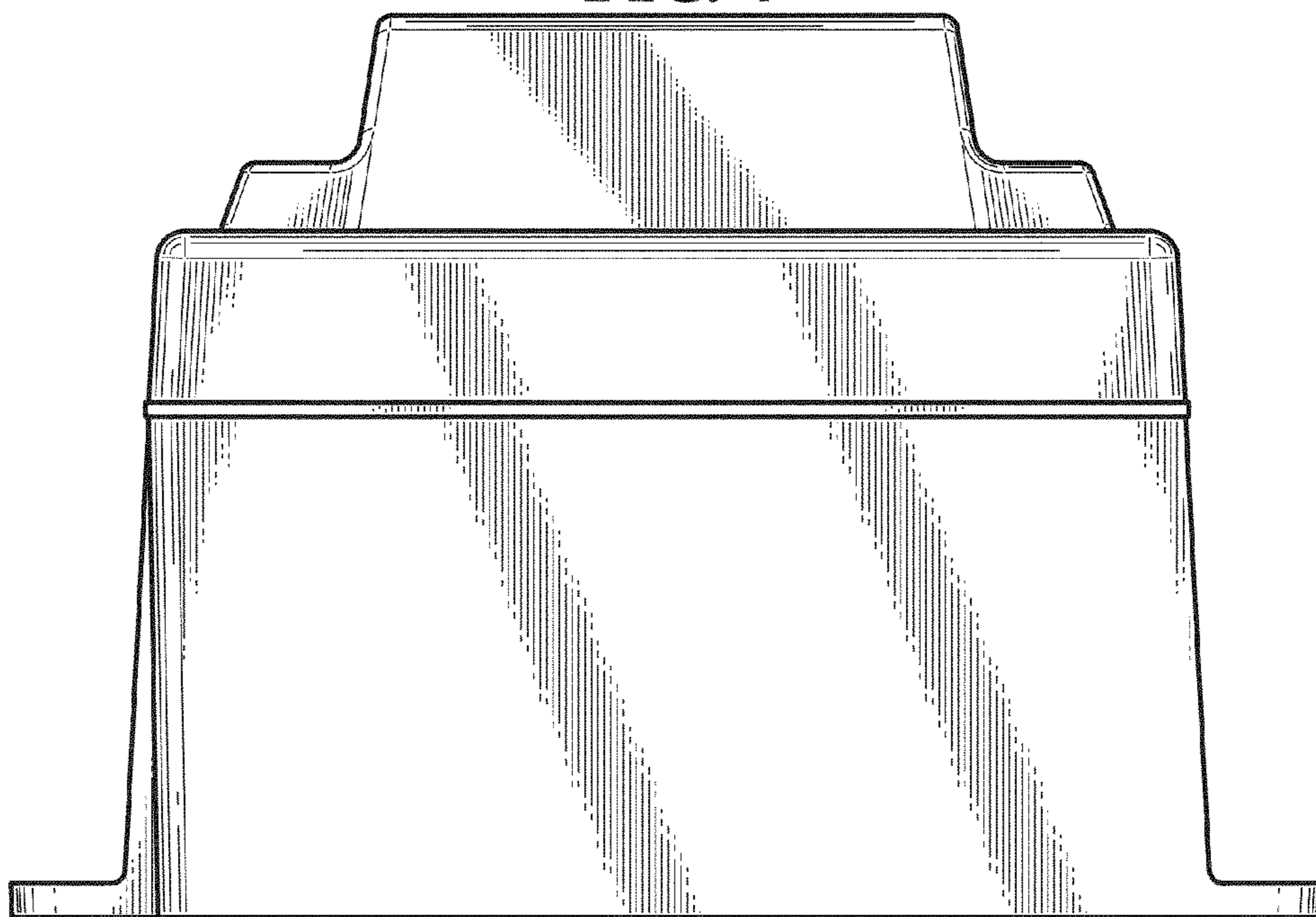


FIG. 5

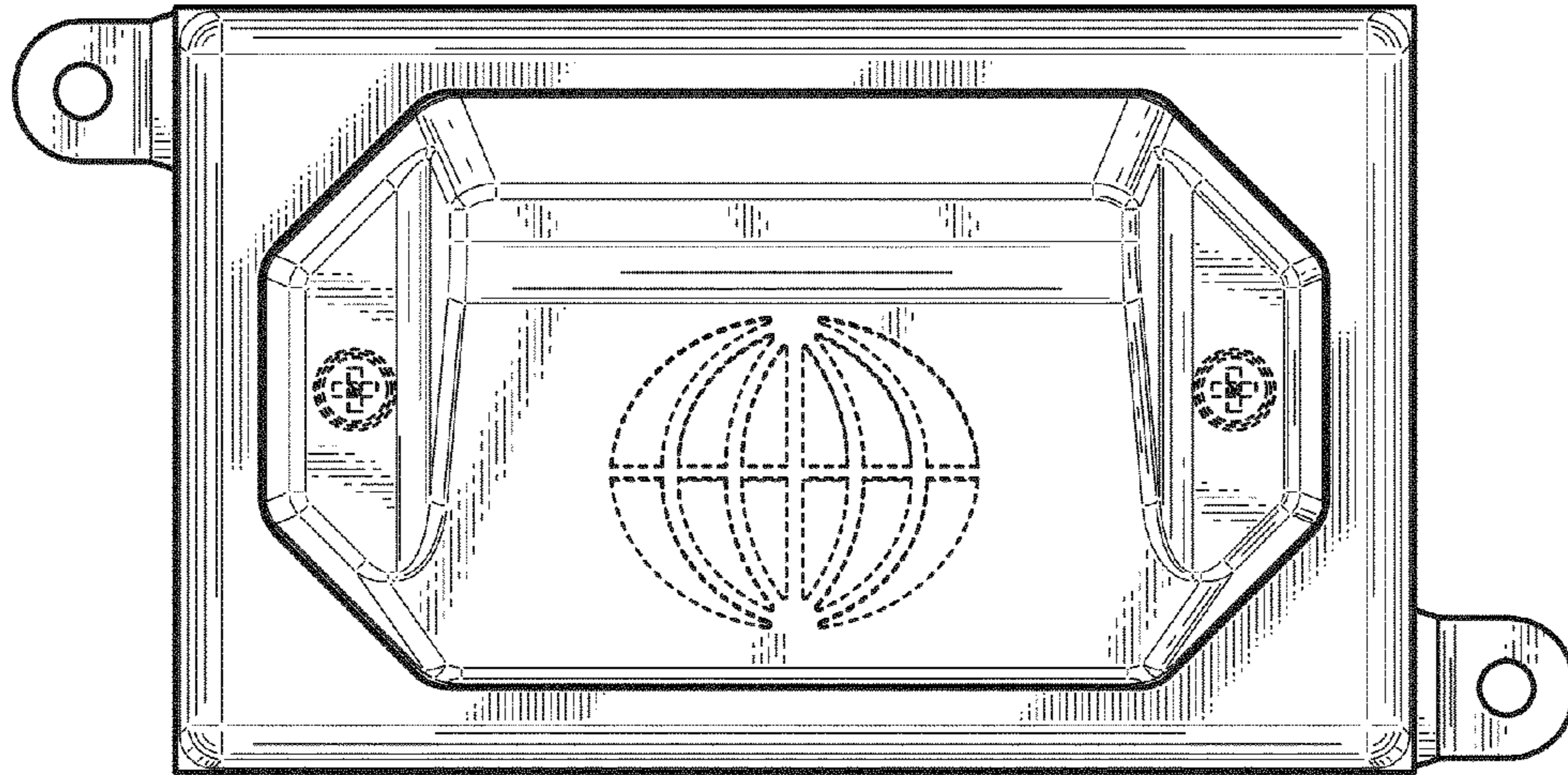


FIG. 6

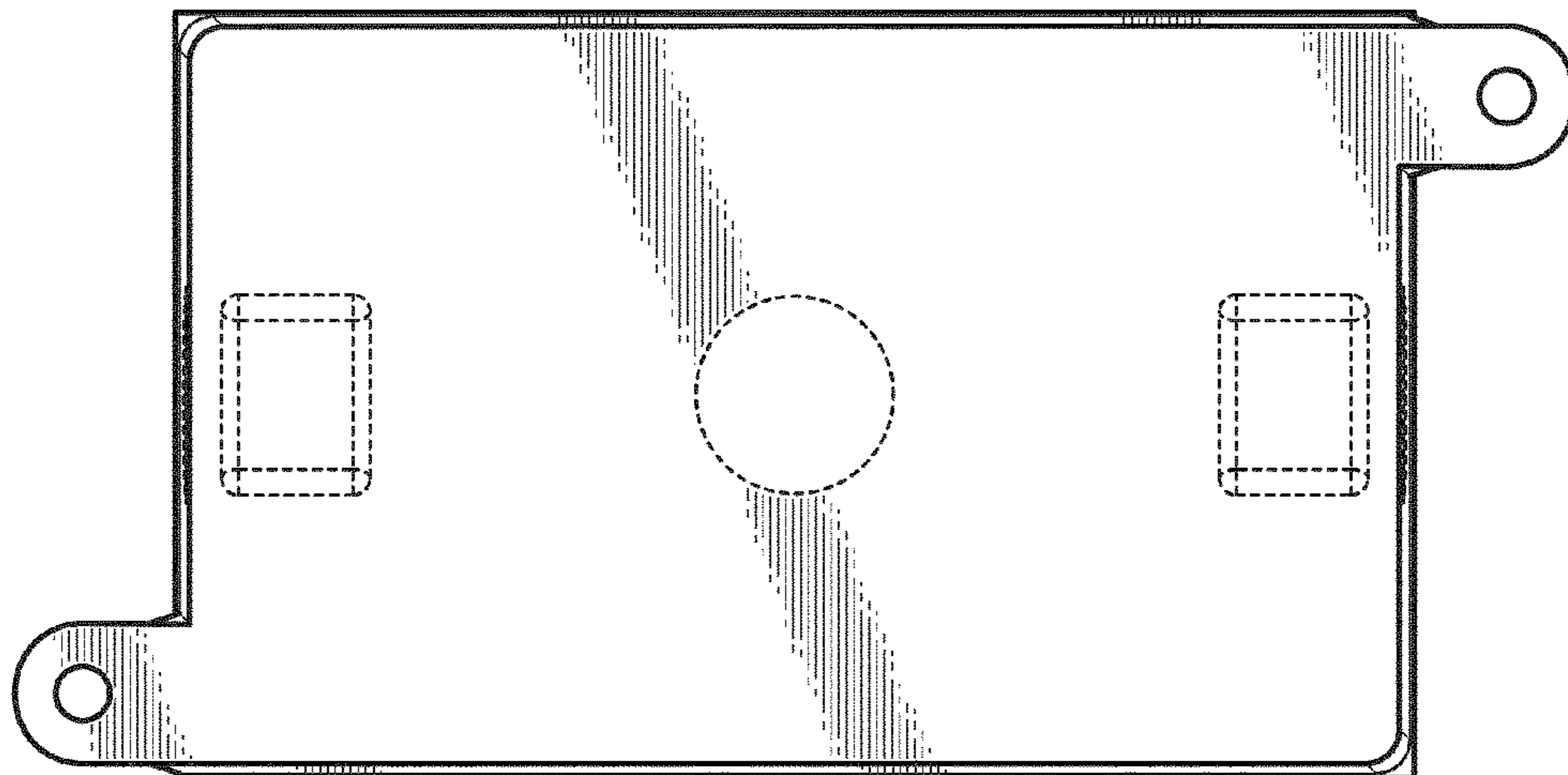


FIG. 7