



US00D728148S

(12) **United States Design Patent**  
**Knudsen**

(10) **Patent No.:** **US D728,148 S**

(45) **Date of Patent:** **\*\* Apr. 28, 2015**

(54) **UNDER BED LIGHT**

(71) Applicant: **Martin Kahr Knudsen**, Sydals (DK)

(72) Inventor: **Martin Kahr Knudsen**, Sydals (DK)

(73) Assignee: **Linak A/S**, Nordborg (DK)

(\*\*) Term: **14 Years**

(21) Appl. No.: **29/490,911**

(22) Filed: **May 15, 2014**

(30) **Foreign Application Priority Data**

Nov. 16, 2013 (DK) ..... 2013 00082

(51) **LOC (10) Cl.** ..... **26-03**

(52) **U.S. Cl.**  
USPC ..... **D26/89**

(58) **Field of Classification Search**  
USPC ..... D26/58, 72, 76, 80, 85, 89, 118, 128;  
362/133, 147, 235, 311.01, 311.02,  
362/545, 546, 432  
See application file for complete search history.

(56) **References Cited**

**U.S. PATENT DOCUMENTS**

D94,402 S \* 1/1935 Brodbeck ..... D26/76  
D109,627 S \* 5/1938 Stewart ..... D26/76  
D110,165 S \* 6/1938 Arenberg ..... D26/85  
D110,198 S \* 6/1938 Stewart ..... D26/78

2,227,739 A \* 1/1941 Pollard ..... 362/223  
D161,700 S \* 1/1951 Marker ..... D26/76  
D161,950 S \* 2/1951 McMath et al. .... D26/72  
4,739,454 A \* 4/1988 Federgreen ..... 362/133  
D371,858 S \* 7/1996 Waldmann ..... D26/76  
D381,760 S \* 7/1997 Costa ..... D26/76  
D517,235 S \* 3/2006 Vakil et al. .... D26/76  
D554,793 S \* 11/2007 Bobel ..... D26/76  
D589,199 S \* 3/2009 Pedersen ..... D26/85  
7,824,057 B2 \* 11/2010 Shibusawa et al. .... 362/125  
D635,708 S \* 4/2011 Zheng ..... D26/78  
7,993,024 B2 \* 8/2011 Migli ..... 362/133  
D652,558 S \* 1/2012 Lichten et al. .... D26/72  
D670,851 S \* 11/2012 Tsai ..... D26/76

\* cited by examiner

*Primary Examiner* — Clare E Heflin

(74) *Attorney, Agent, or Firm* — Dykema Gossett PLLC

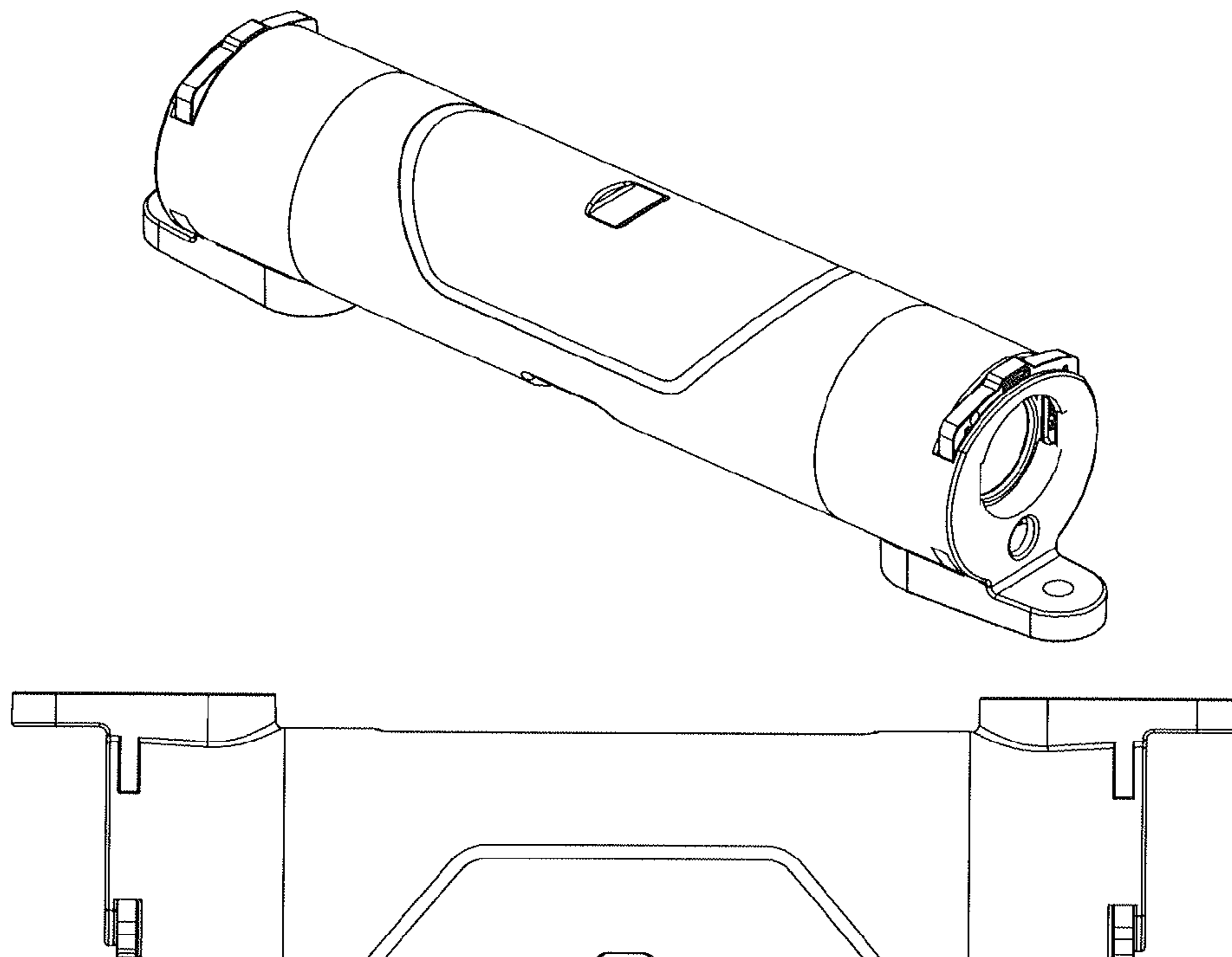
(57) **CLAIM**

The ornamental design for an under bed light, as shown and described.

**DESCRIPTION**

FIG. 1 is a perspective front view of an under bed light showing my new and ornamental design;  
FIG. 2 is a perspective rear view thereof;  
FIG. 3 is an elevational front view thereof;  
FIG. 4 is an elevational rear view thereof;  
FIG. 5 is an elevational side view thereof;  
FIG. 6 is an elevational opposite side view thereof;  
FIG. 7 is an elevational end view thereof; and,  
FIG. 8 is an elevational opposite end view thereof.

**1 Claim, 2 Drawing Sheets**



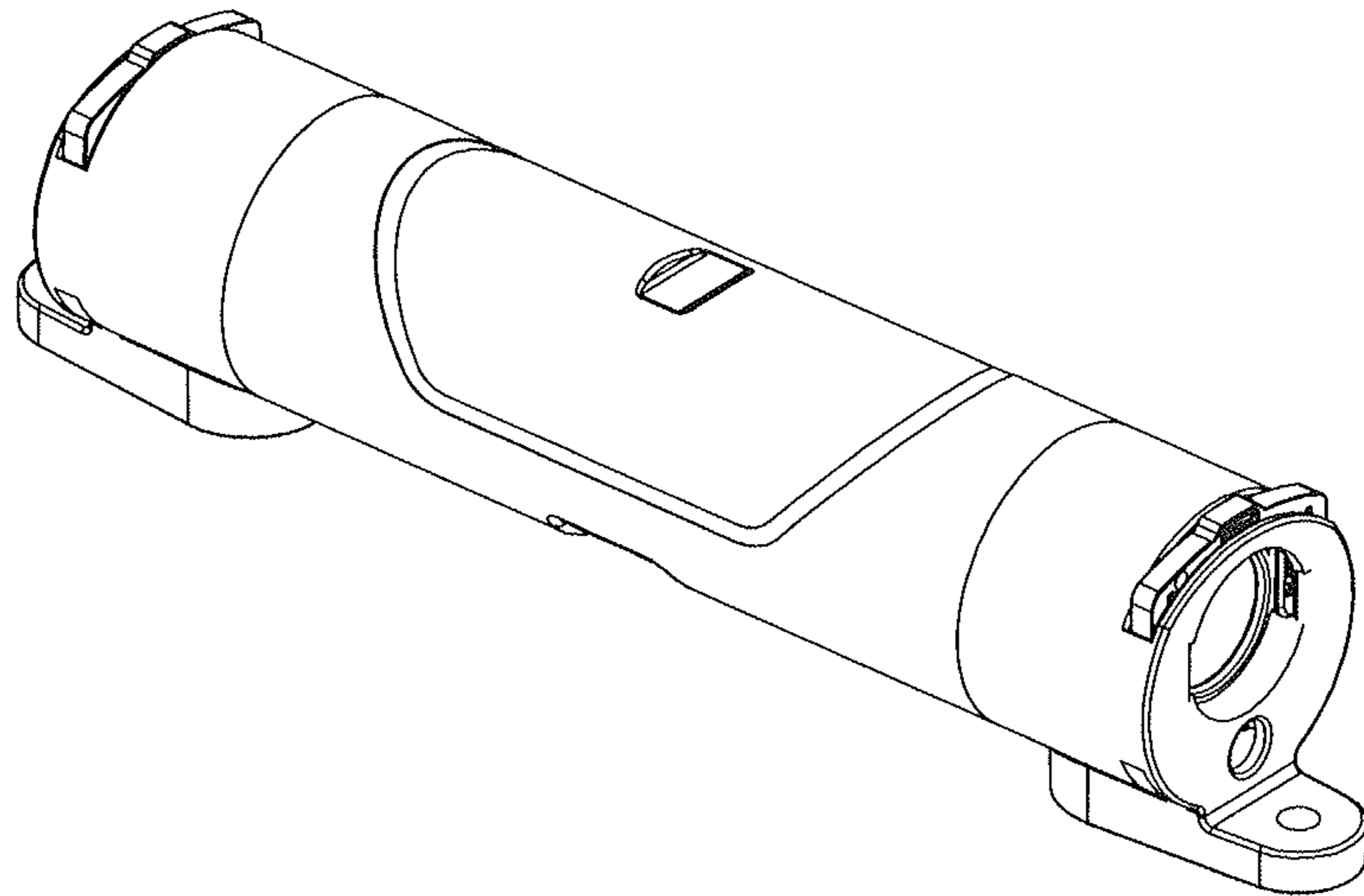


Fig. 1

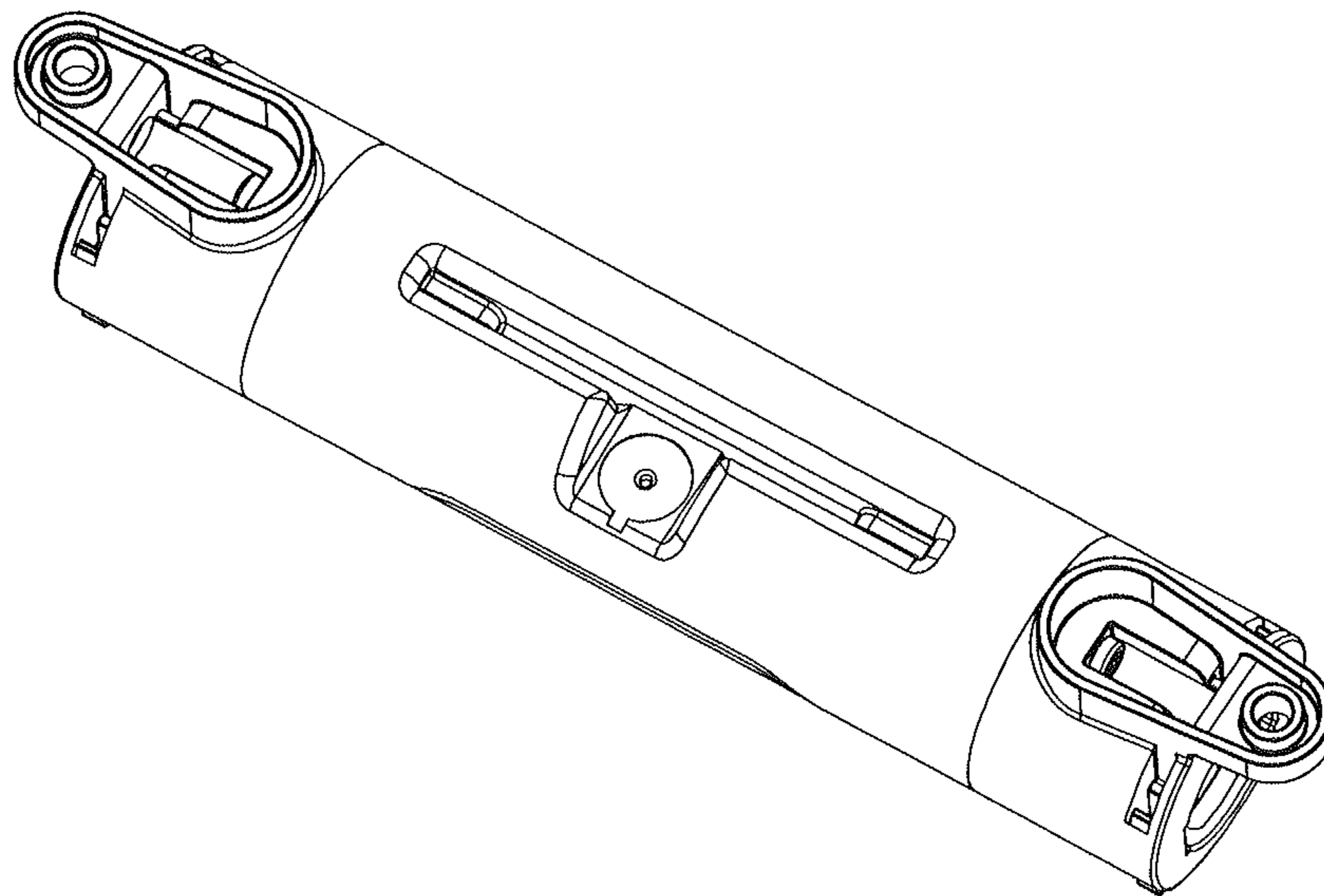


Fig. 2

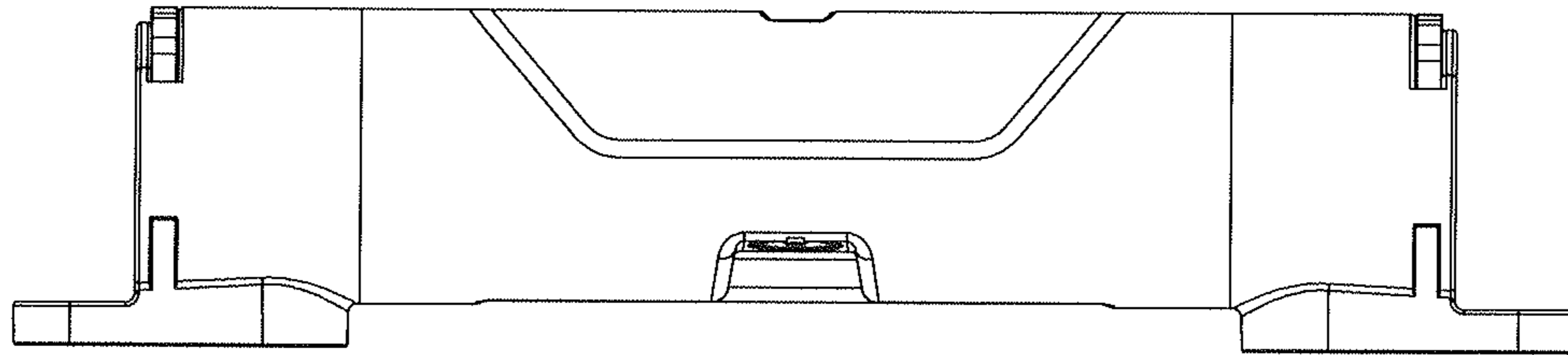


Fig. 3

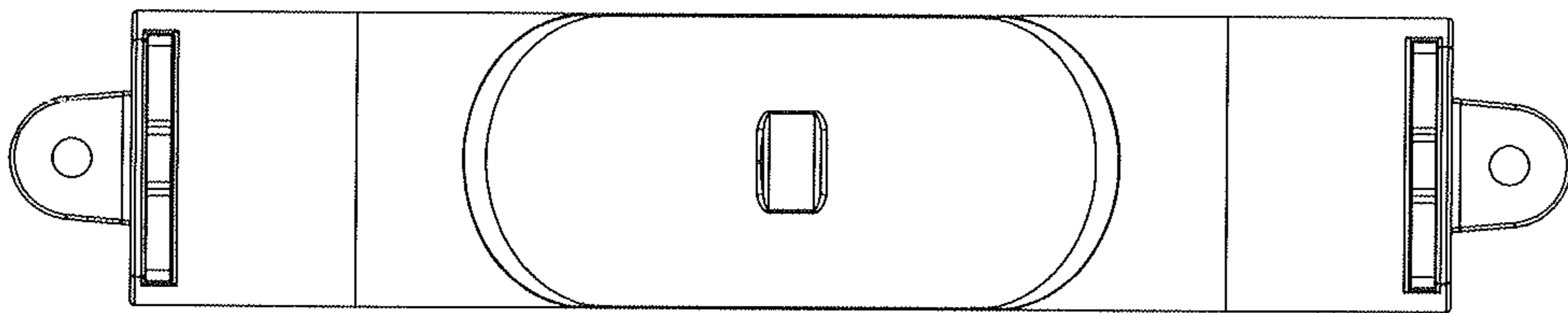


Fig. 4

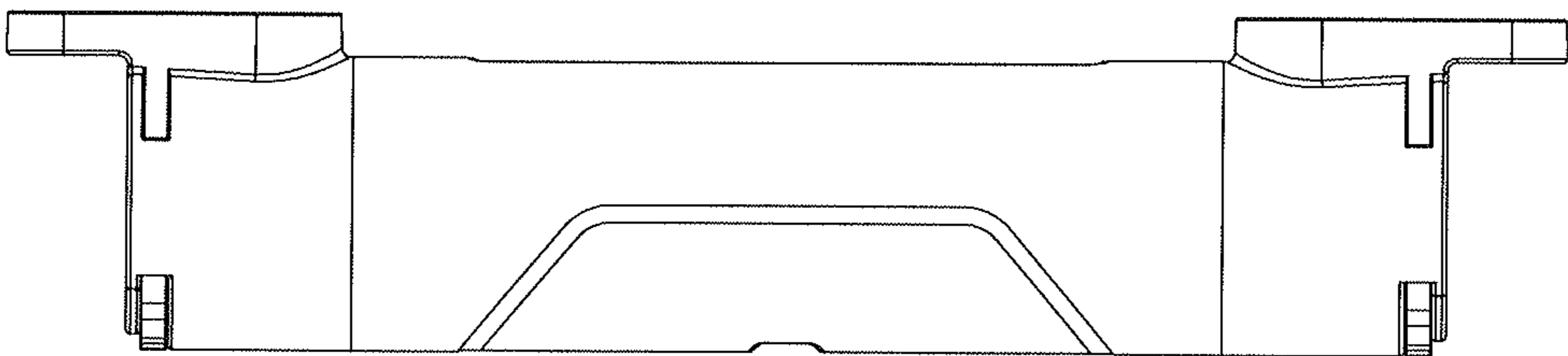


Fig. 5

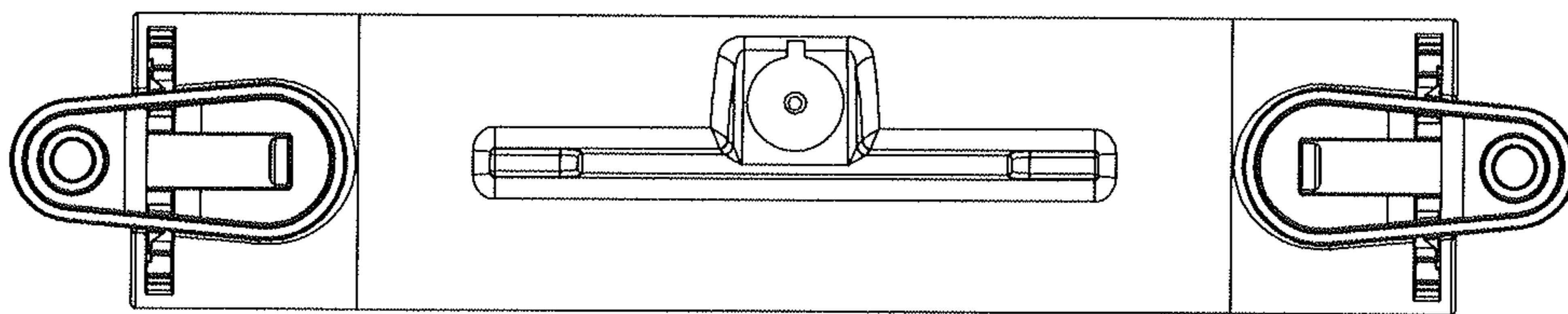


Fig. 6

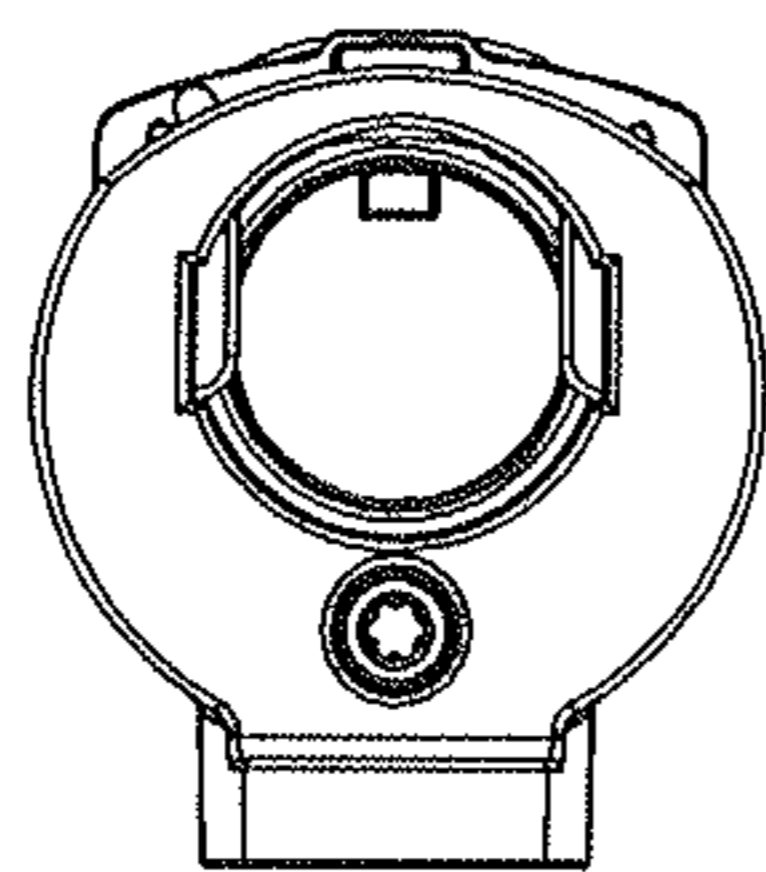


Fig. 7

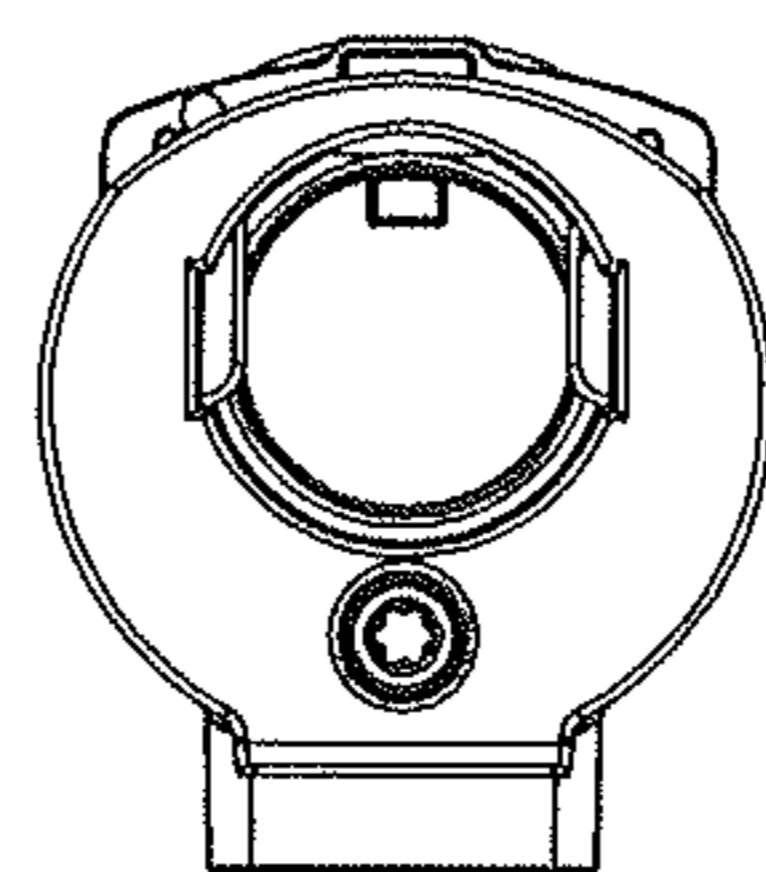


Fig. 8