



US00D728146S

(12) **United States Design Patent**
Ehrler et al.

(10) **Patent No.:** **US D728,146 S**

(45) **Date of Patent:** **** Apr. 28, 2015**

(54) **LIGHT**

(71) Applicant: **R. Stahl Schaltgeräte GmbH,**
Waldenburg (DE)

(72) Inventors: **Uwe Ehrler,** Künzelsau-Amrichshausen
(DE); **Falk Thürmer,** Künzelsau (DE)

(73) Assignee: **R. Stahl Schaltgeräte GmbH,**
Waldenburg (DE)

(**) Term: **14 Years**

(21) Appl. No.: **29/486,426**

(22) Filed: **Mar. 28, 2014**

(51) **LOC (10) Cl.** **26-03**

(52) **U.S. Cl.**
USPC **D26/89**

(58) **Field of Classification Search**
USPC D26/72, 80, 85, 89, 118, 128; 362/147,
362/235, 311.01, 311.02, 545, 546, 432
See application file for complete search history.

(56) **References Cited**

U.S. PATENT DOCUMENTS

D101,406 S *	9/1936	Schulte	D26/85
D110,165 S *	6/1938	Arenberg	D26/85
2,149,635 A *	3/1939	Shepard et al.	362/490
D127,890 S *	6/1941	Ohm	D26/76
D177,918 S *	6/1956	Meyer	D26/77
D180,531 S *	6/1957	Stevens	D26/128
D180,537 S *	6/1957	Stevens	D26/76
D579,138 S *	10/2008	Ghini	D26/76
D579,139 S *	10/2008	Ghini	D26/76

D584,844 S *	1/2009	Ghini	D26/76
D589,199 S *	3/2009	Pedersen	D26/85
D589,638 S *	3/2009	Collins	D26/72
D606,229 S *	12/2009	Johansen et al.	D26/80
D649,673 S *	11/2011	Liang et al.	D26/72
D650,507 S *	12/2011	Osiecki et al.	D26/72
D665,524 S *	8/2012	Bush et al.	D26/76
D674,529 S *	1/2013	Hirai et al.	D26/85
D717,483 S *	11/2014	Barnes et al.	D26/72
2011/0058367 A1 *	3/2011	Shiau et al.	362/218

* cited by examiner

Primary Examiner — Clare E Heflin

(74) *Attorney, Agent, or Firm* — Fitch, Even, Tabin & Flannery LLP

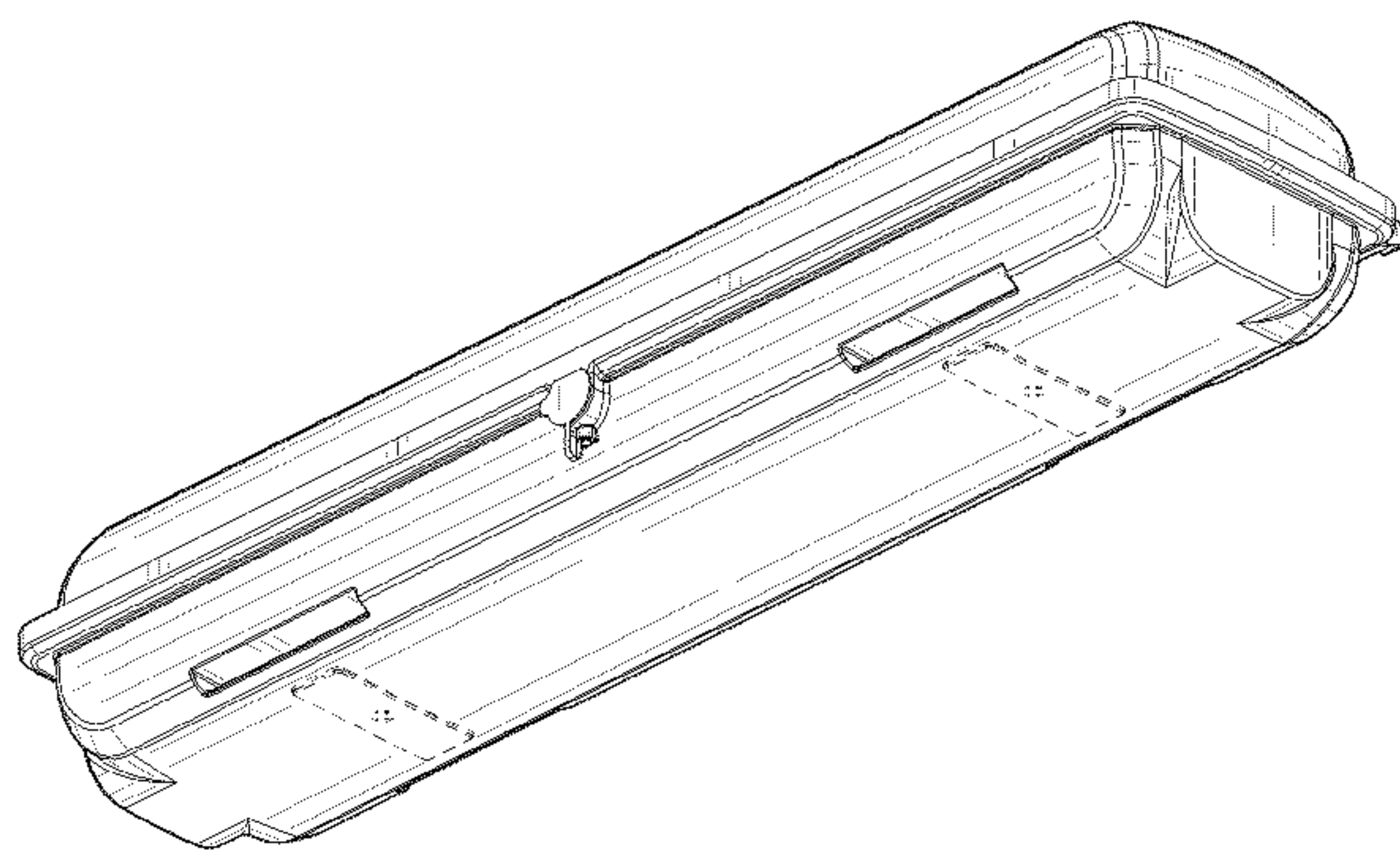
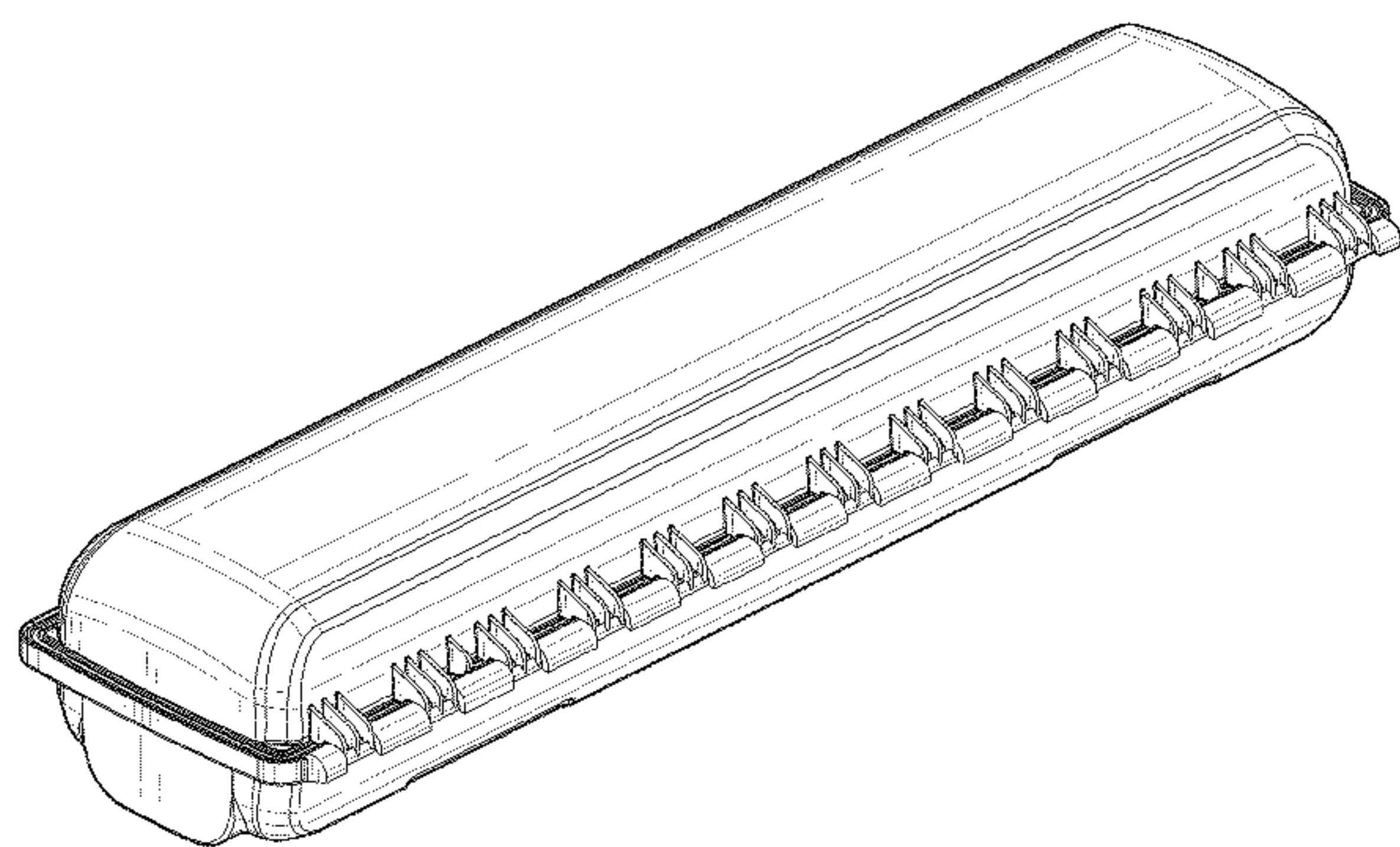
(57) **CLAIM**

We claim the ornamental design for a light, as shown and described.

DESCRIPTION

FIG. 1 is a top perspective view of a first embodiment of our new design comprising a light;
FIG. 2 is a bottom perspective view of the light of FIG. 1;
FIG. 3 is a top view of the light of FIG. 1;
FIG. 4 is a bottom view of the light of FIG. 1;
FIG. 5 is a front view of the light of FIG. 1;
FIG. 6 is a back view of the light of FIG. 1;
FIG. 7 is a right side view of the light of FIG. 1; and,
FIG. 8 is a left side view of the light of FIG. 1.
The broken lines shown in the drawings are for illustrative purposes only and form no part of the claimed design.

1 Claim, 5 Drawing Sheets



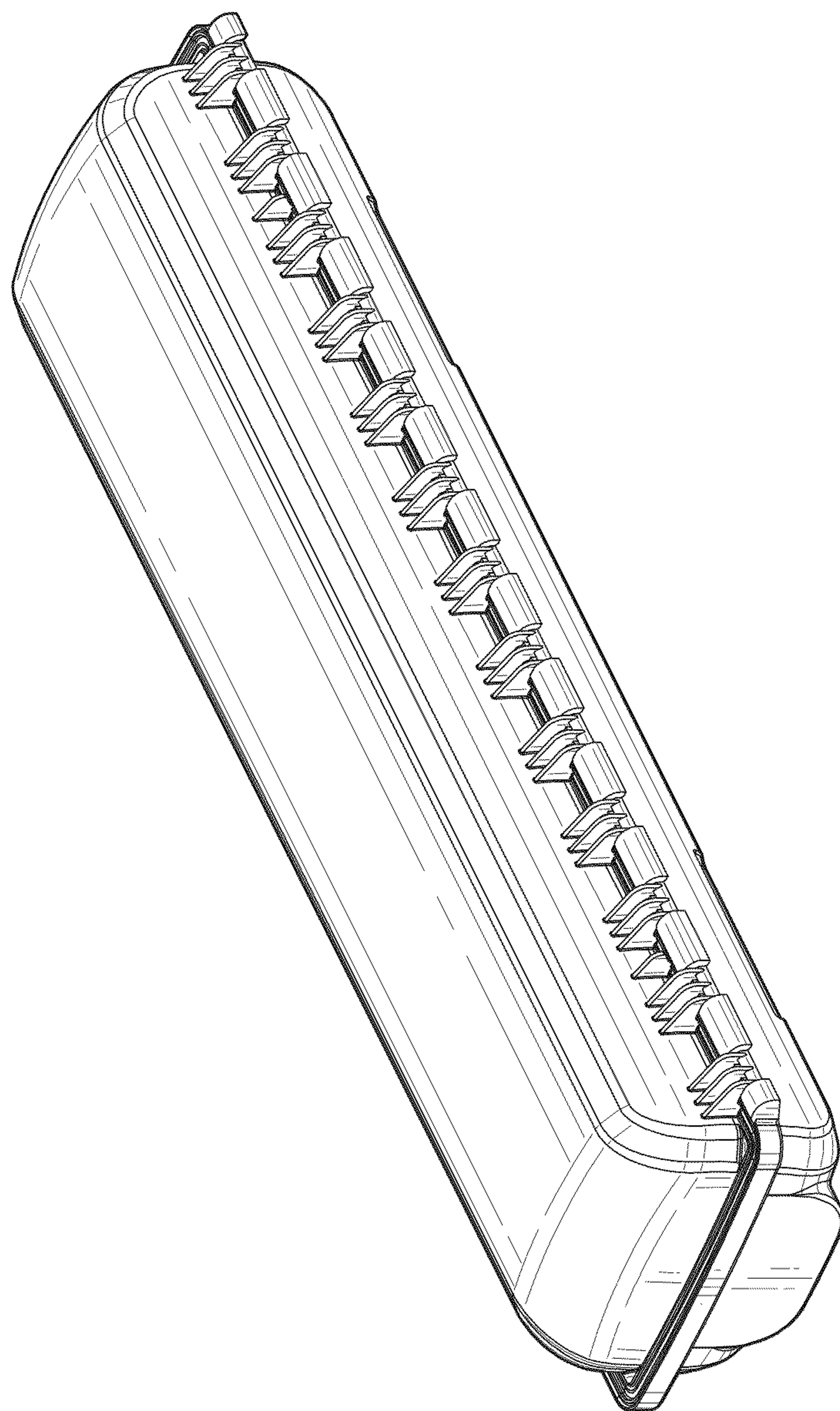


FIG. 1

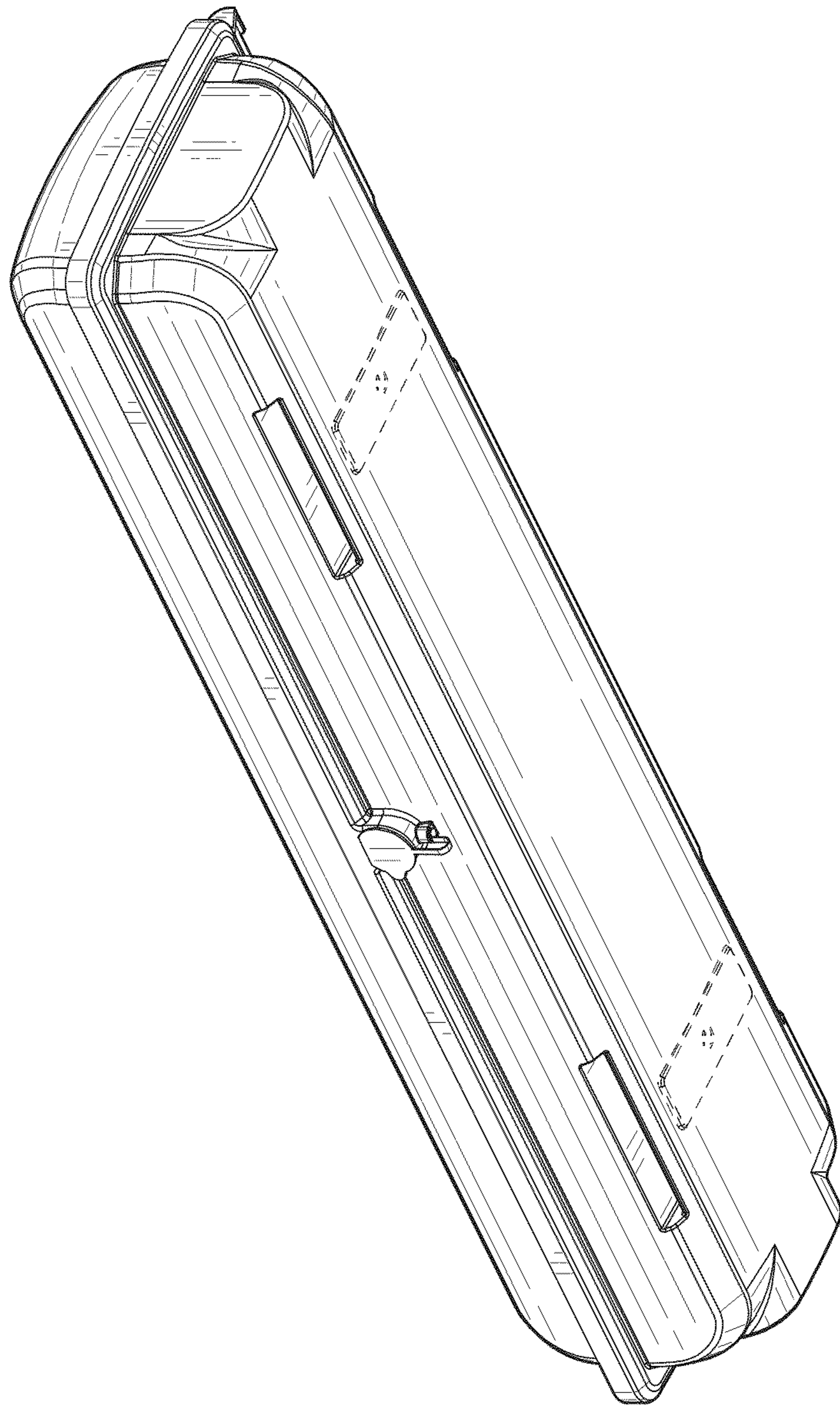


FIG. 2

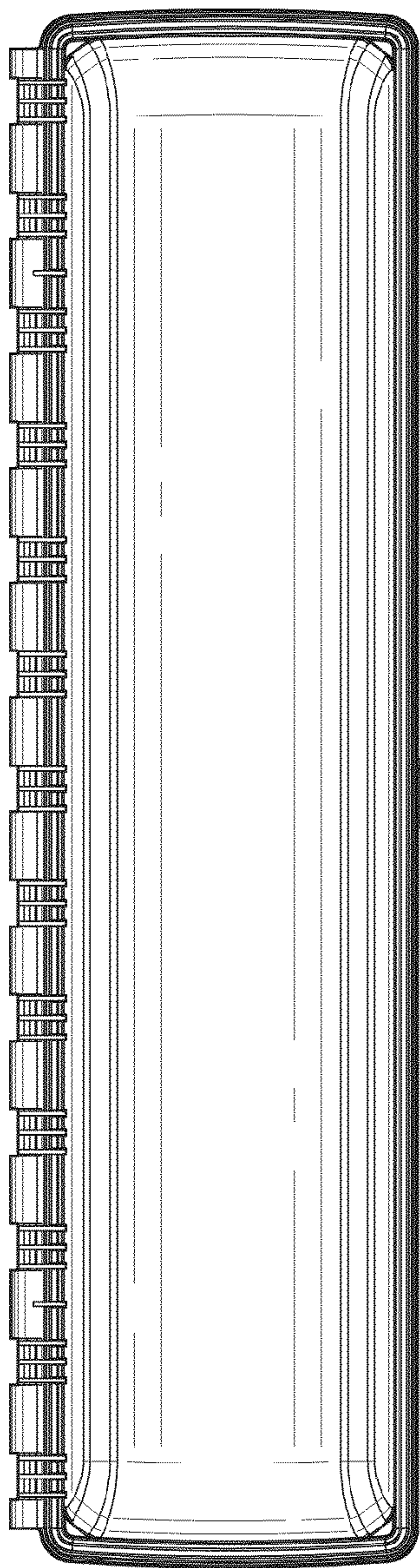


FIG. 3

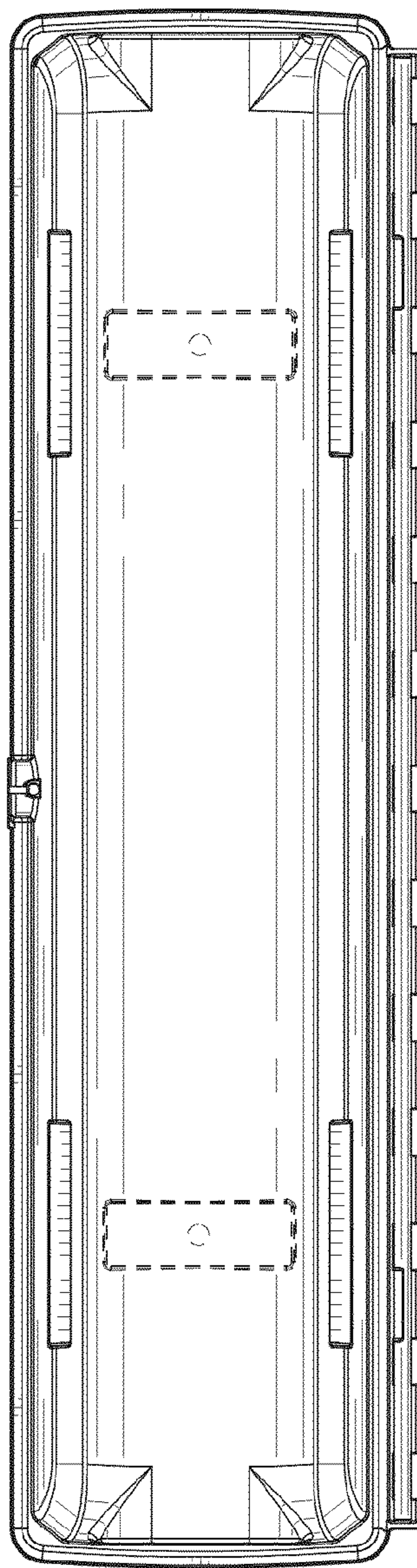


FIG. 4

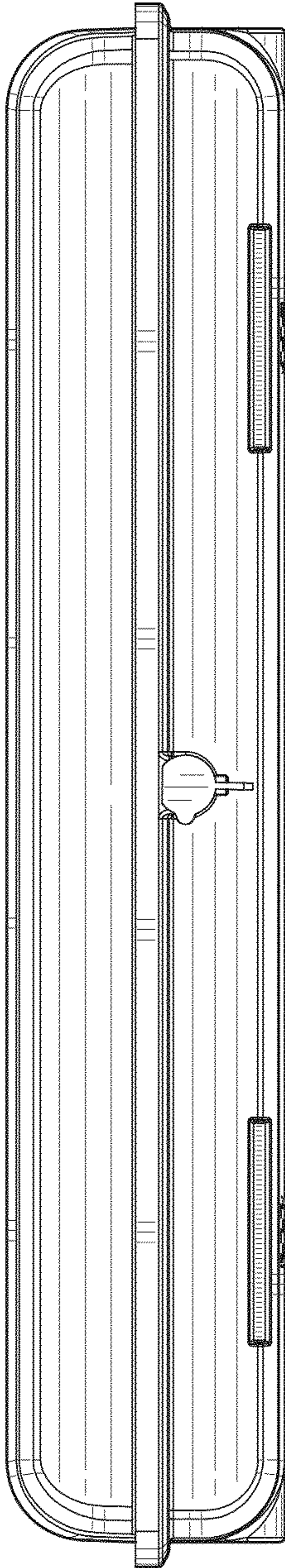


FIG. 5

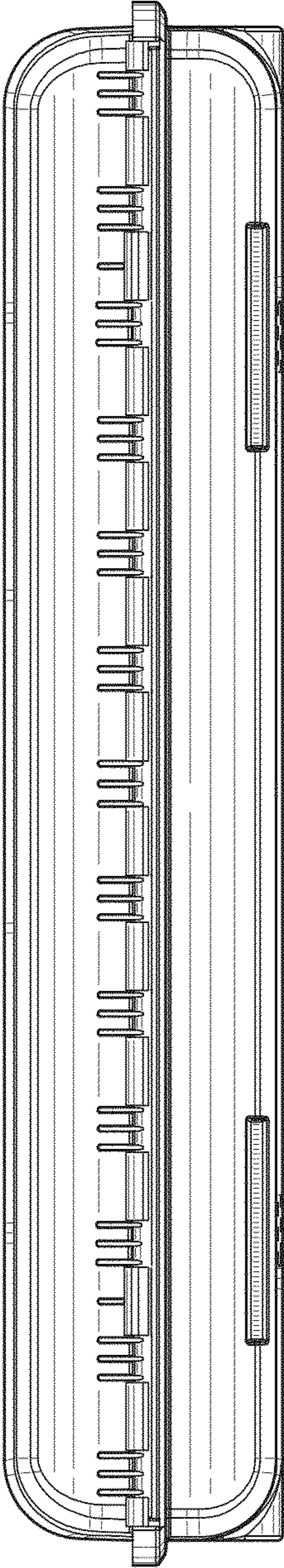


FIG. 6

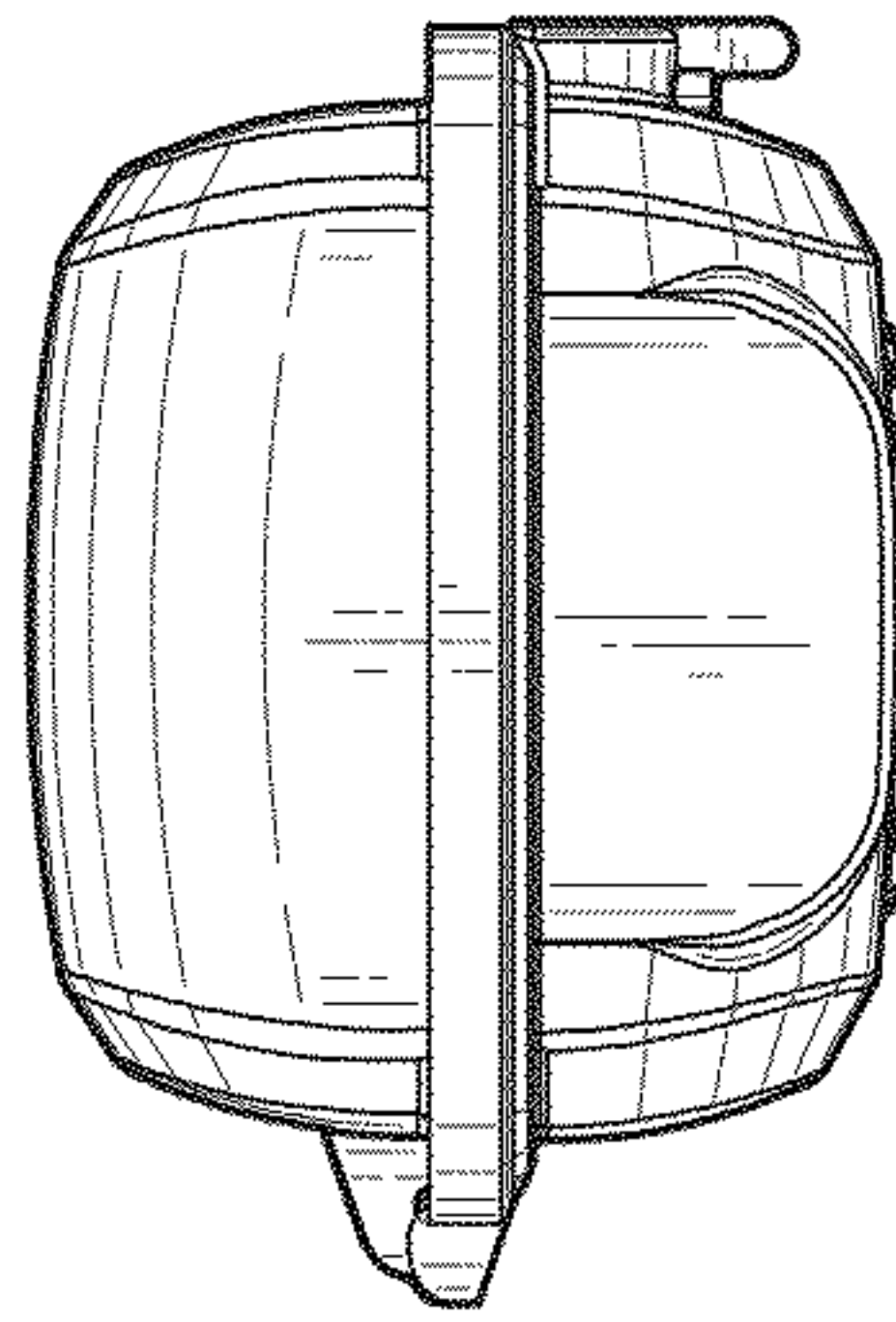


FIG. 8

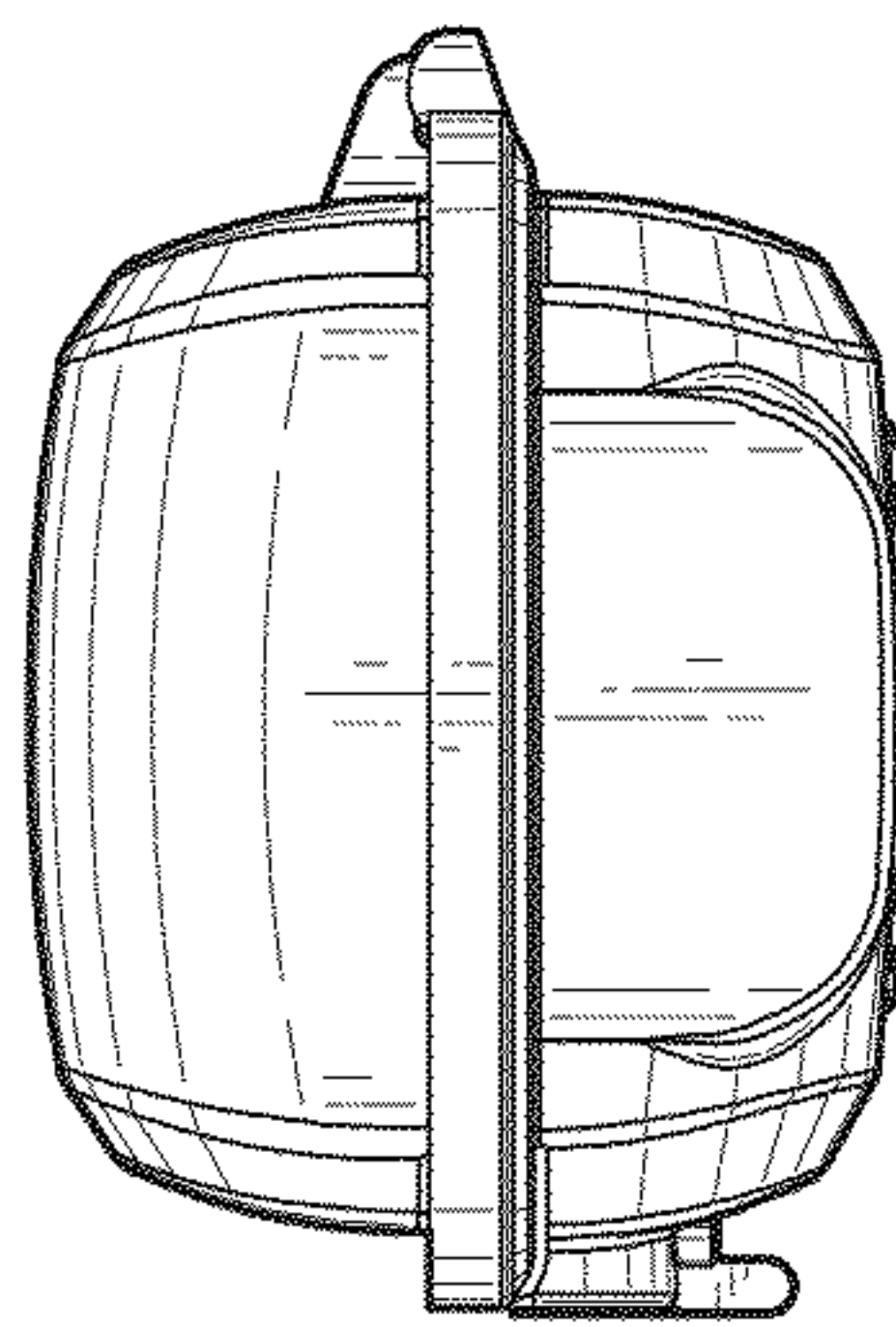


FIG. 7