

US00D728143S

(12) **United States Design Patent**
Nankil

(10) **Patent No.:** **US D728,143 S**

(45) **Date of Patent:** **** Apr. 28, 2015**

(54) **WALL MOUNTED LIGHT FIXTURE HAVING STRUTS**

(71) Applicant: **Hubbell Incorporated**, Shelton, CT (US)

(72) Inventor: **Robert R. Nankil**, Buena Park, CA (US)

(73) Assignee: **Hubbell Incorporated**, Shelton, CT (US)

(**) Term: **14 Years**

(21) Appl. No.: **29/487,955**

(22) Filed: **Apr. 14, 2014**

Related U.S. Application Data

(62) Division of application No. 29/458,995, filed on Jun. 25, 2013, now Pat. No. Des. 705,476, which is a division of application No. 29/411,733, filed on Jan. 25, 2012, now Pat. No. Des. 689,646.

(51) **LOC (10) Cl.** **26-03**

(52) **U.S. Cl.**
USPC **D26/85**

(58) **Field of Classification Search**
USPC D26/72, 85-92, 128; 362/147, 432
See application file for complete search history.

(56) **References Cited**

U.S. PATENT DOCUMENTS

D40,241 S	8/1909	Greenwald	
999,813 A	8/1911	Losey	
1,019,246 A	3/1912	Godinez et al.	
1,082,753 A	12/1913	Losey	
D50,542 S *	3/1917	Wellman	D26/85
D51,053 S *	7/1917	Wellman	D26/85
1,473,380 A	11/1923	Peterson	
1,732,745 A	10/1929	Erskine	

D82,136 S	9/1930	Chapman
D85,931 S	1/1932	Graff
D100,556 S	7/1936	Gosling
D125,314 S	2/1941	Proulx
D138,831 S	9/1944	McCann
D152,994 S	3/1949	McCann

(Continued)

FOREIGN PATENT DOCUMENTS

GB	2025424	9/1992
GB	2044993	2/1995

(Continued)

OTHER PUBLICATIONS

Architectural Area Lighting, Venere Series Catalog, Jan. 2007, pp. 1-20, US.

Primary Examiner — Clare E Heflin

(74) *Attorney, Agent, or Firm* — Michael Best & Friedrich, LLP

(57) **CLAIM**

The ornamental design for a wall mounted light fixture having struts, as shown and described.

DESCRIPTION

FIG. 1 is a top perspective view of the lighting fixture of the invention;

FIG. 2 is a top view of the lighting fixture of FIG. 1;

FIG. 3 is a front view of the lighting fixture of FIG. 1;

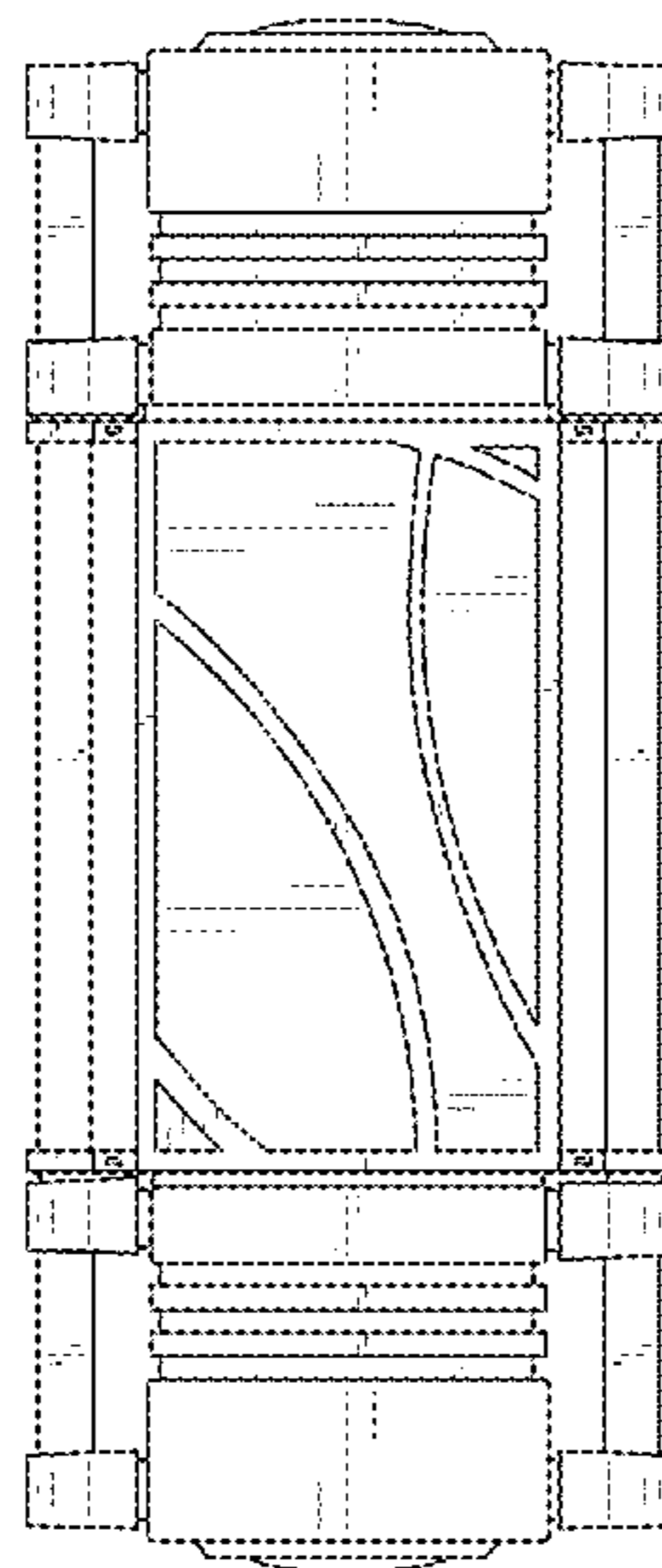
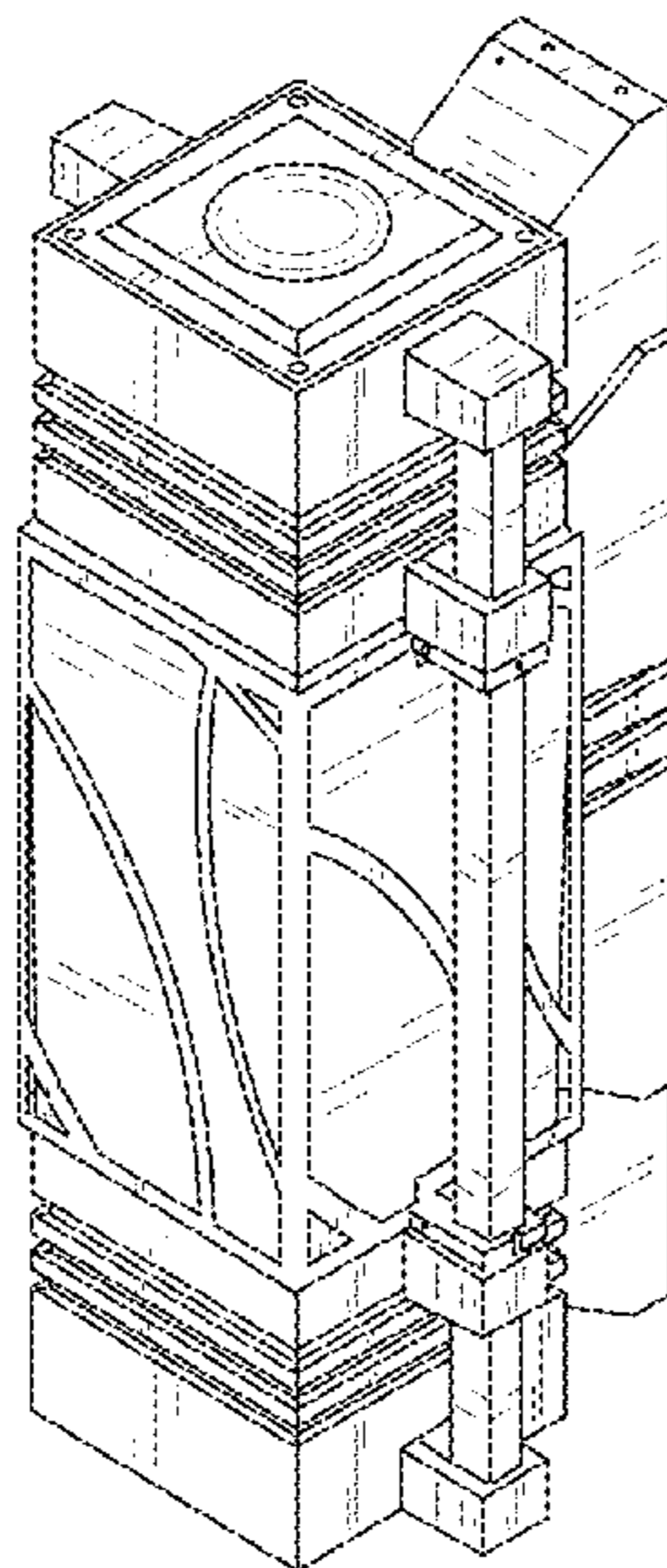
FIG. 4 is a right side view of the lighting fixture of FIG. 1 where the left side view is a mirror image thereof;

FIG. 5 is a rear view of the lighting fixture of FIG. 1;

FIG. 6 is a bottom perspective view of the lighting fixture of FIG. 1; and,

FIG. 7 is a bottom view of the lighting fixture of claim 1.

1 Claim, 2 Drawing Sheets



(56)

References Cited

U.S. PATENT DOCUMENTS

D154,302 S 6/1949 Palmquist
 2,523,818 A 9/1950 Cortes
 D160,899 S 11/1950 Stevens
 2,793,285 A 5/1957 Brainerd
 D185,974 S 8/1959 Rambusch et al.
 D194,624 S 2/1963 Pettengill
 D199,266 S 9/1964 Izzi
 D199,409 S 10/1964 Van Steenhoven
 3,194,952 A 7/1965 Wells
 D206,881 S 2/1967 Moranduzzo
 D208,659 S 9/1967 Koziol
 D211,277 S 6/1968 Layton
 D219,022 S 10/1970 Yamazaki
 3,833,804 A 9/1974 Vesely
 D235,677 S 7/1975 Goldberg
 D235,914 S 7/1975 Schacht
 D239,460 S 4/1976 Schacht
 D245,724 S * 9/1977 Schemenauer D26/85
 4,069,415 A 1/1978 Dacal
 D298,861 S 12/1988 Ewing et al.
 4,858,088 A 8/1989 Agabekov
 4,951,184 A * 8/1990 Makurof 362/362
 D338,977 S 8/1993 Ewing et al.
 5,384,694 A 1/1995 Yang
 5,430,631 A 7/1995 Dick
 D362,082 S 9/1995 McDowell
 D383,238 S 9/1997 Chen
 D403,097 S 12/1998 Littman
 D411,030 S 6/1999 Chen
 D427,349 S 6/2000 Landefeld
 D427,350 S 6/2000 Landefeld
 D427,351 S 6/2000 Landefeld
 D427,705 S 7/2000 Landefeld
 D444,584 S 7/2001 Landefeld
 D453,388 S 2/2002 Leen
 D465,296 S 11/2002 DiPasquale
 6,494,599 B1 12/2002 Leen
 D473,333 S 4/2003 Willmorth
 D506,281 S 6/2005 Randazzo et al.
 D518,221 S 3/2006 Randazzo et al.
 7,066,613 B2 6/2006 Vishwamitra
 D524,475 S 7/2006 Randazzo et al.
 D535,427 S 1/2007 Chandler
 D537,189 S 2/2007 Zhang
 D537,556 S 2/2007 Summerford et al.
 D553,286 S 10/2007 Chung et al.

D563,016 S 2/2008 Ho et al.
 D563,584 S 3/2008 Lee et al.
 D566,879 S * 4/2008 Jamelle et al. D26/85
 7,387,409 B1 6/2008 Beadle
 D580,084 S 11/2008 Walsh
 D580,581 S 11/2008 Grant
 D583,494 S 12/2008 Friedman et al.
 7,473,016 B2 1/2009 Flaherty et al.
 D586,493 S 2/2009 Parres
 D589,194 S 3/2009 Sabernig
 D594,152 S 6/2009 Miranda
 D597,696 S 8/2009 Sabernig
 D601,291 S 9/2009 Nankil
 D617,034 S 6/2010 Compton
 D625,455 S 10/2010 Sonneman
 D629,949 S 12/2010 Ho
 D629,954 S 12/2010 Compton
 D629,955 S 12/2010 Compton
 D639,995 S 6/2011 Compton
 D640,806 S 6/2011 Zheng
 D646,832 S 10/2011 Chen
 D647,235 S 10/2011 Nankil
 D662,647 S * 6/2012 Nankil D26/87
 D669,622 S 10/2012 Orozco
 D671,669 S 11/2012 Orozco
 D684,293 S 6/2013 Lastimosa D26/87
 D689,646 S 9/2013 Nankil D26/85
 D693,955 S 11/2013 Yang D26/85
 D693,956 S 11/2013 Yang D26/85
 D694,458 S * 11/2013 Yang D26/85
 D695,444 S 12/2013 Yang D26/85
 D705,476 S * 5/2014 Nankil D26/85
 D715,475 S * 10/2014 Nankil D26/67
 D715,478 S * 10/2014 Blum et al. D26/85
 2003/0202340 A1 10/2003 Wu
 2006/0274537 A1 12/2006 Randazzo

FOREIGN PATENT DOCUMENTS

GB 2046752 4/1995
 GB 2057479 7/1996
 GB 2088112 11/1999
 GB 3005118 7/2002
 GB 3009606 12/2002
 GB 3010811 2/2003
 GB 3010812 2/2003
 GB 3010813 2/2003
 GB 4005870 1/2008

* cited by examiner

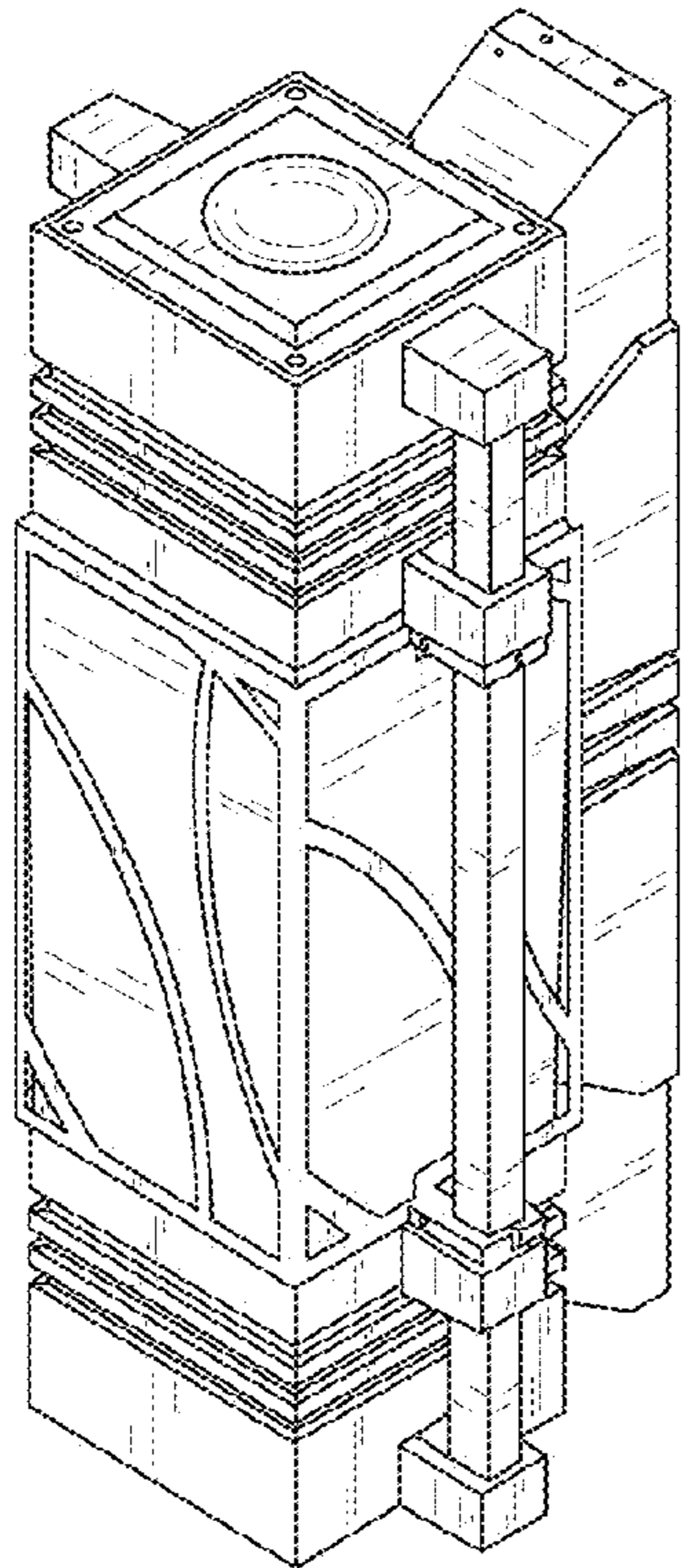


FIG. 1

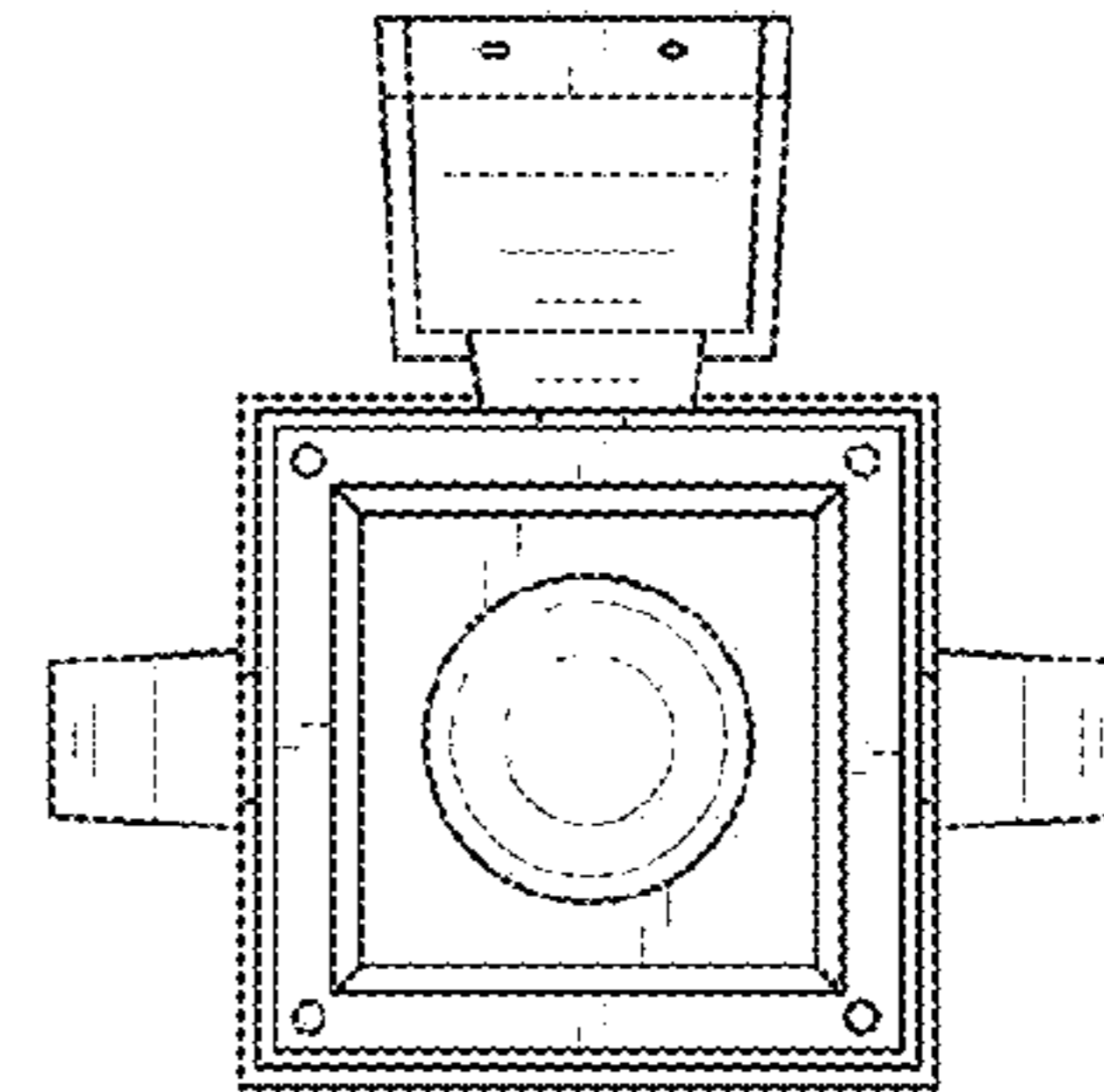


FIG. 2

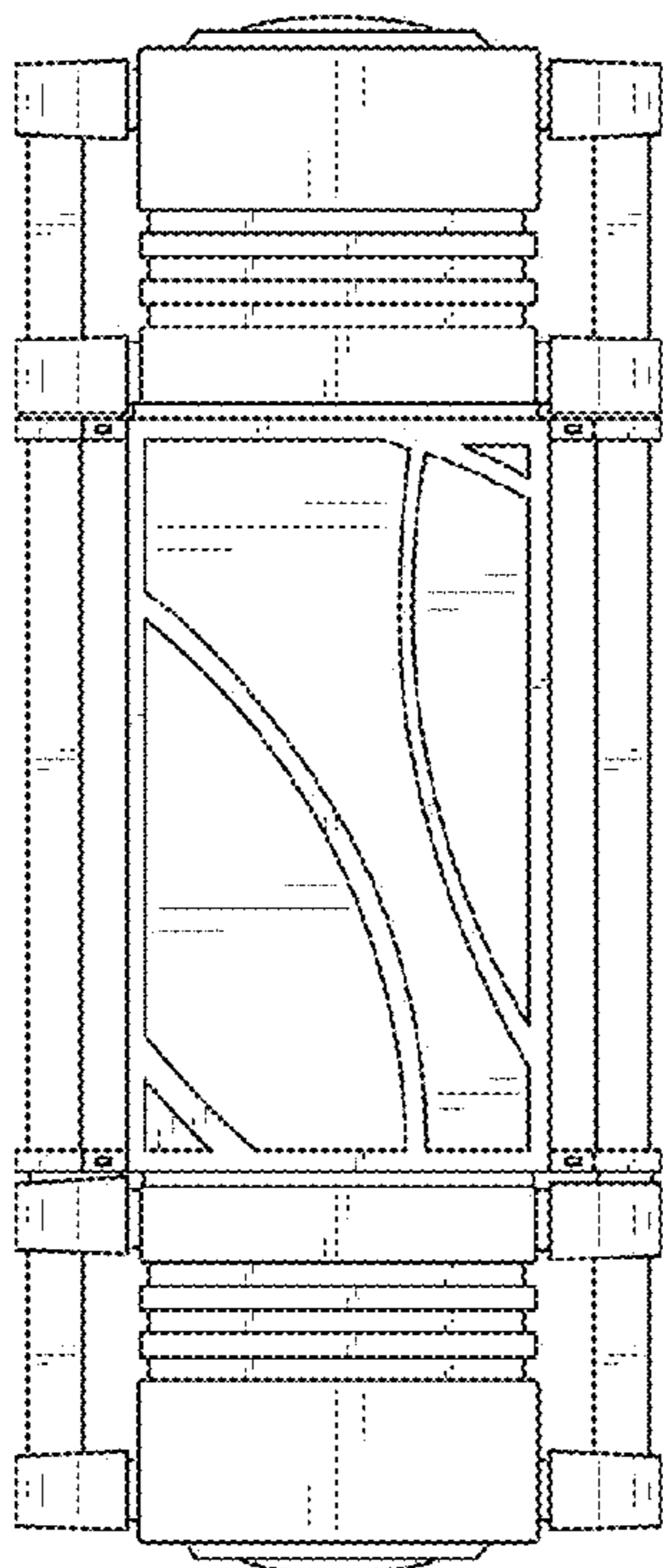


FIG. 3

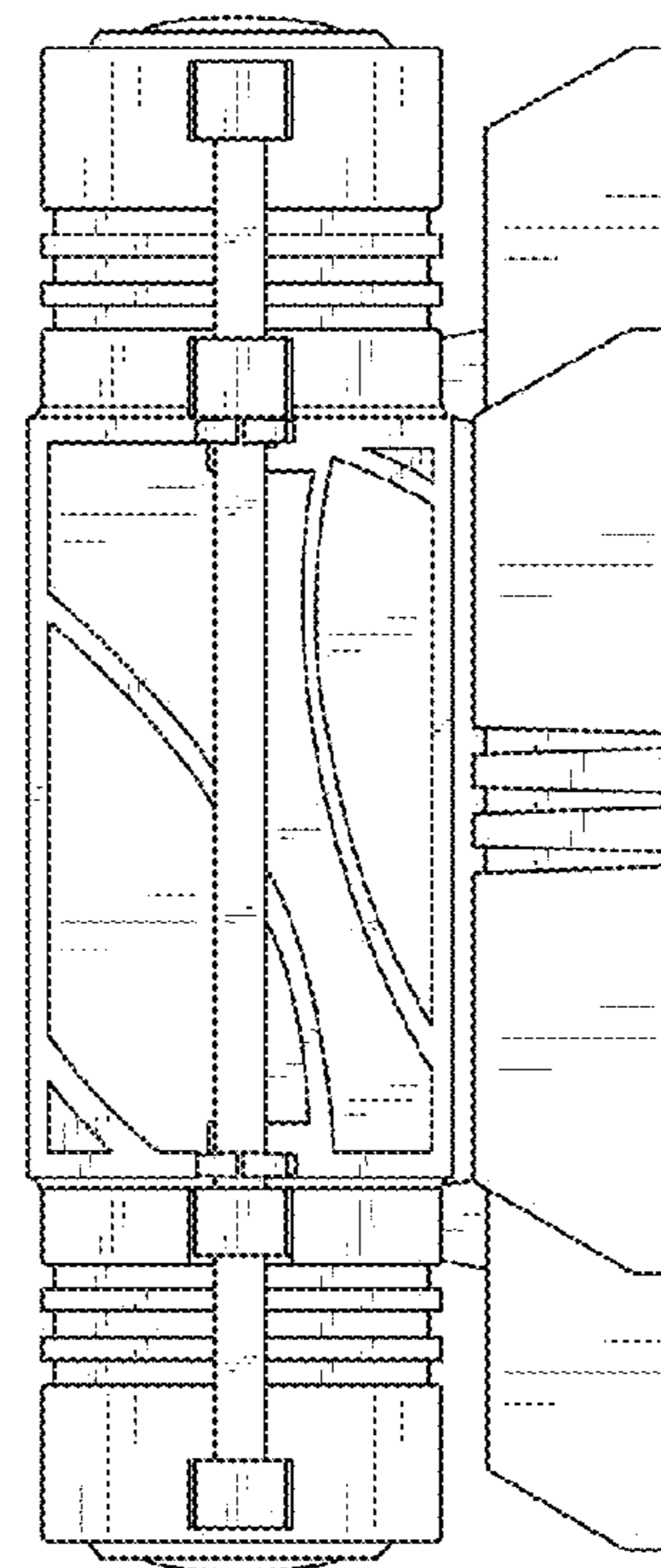


FIG. 4

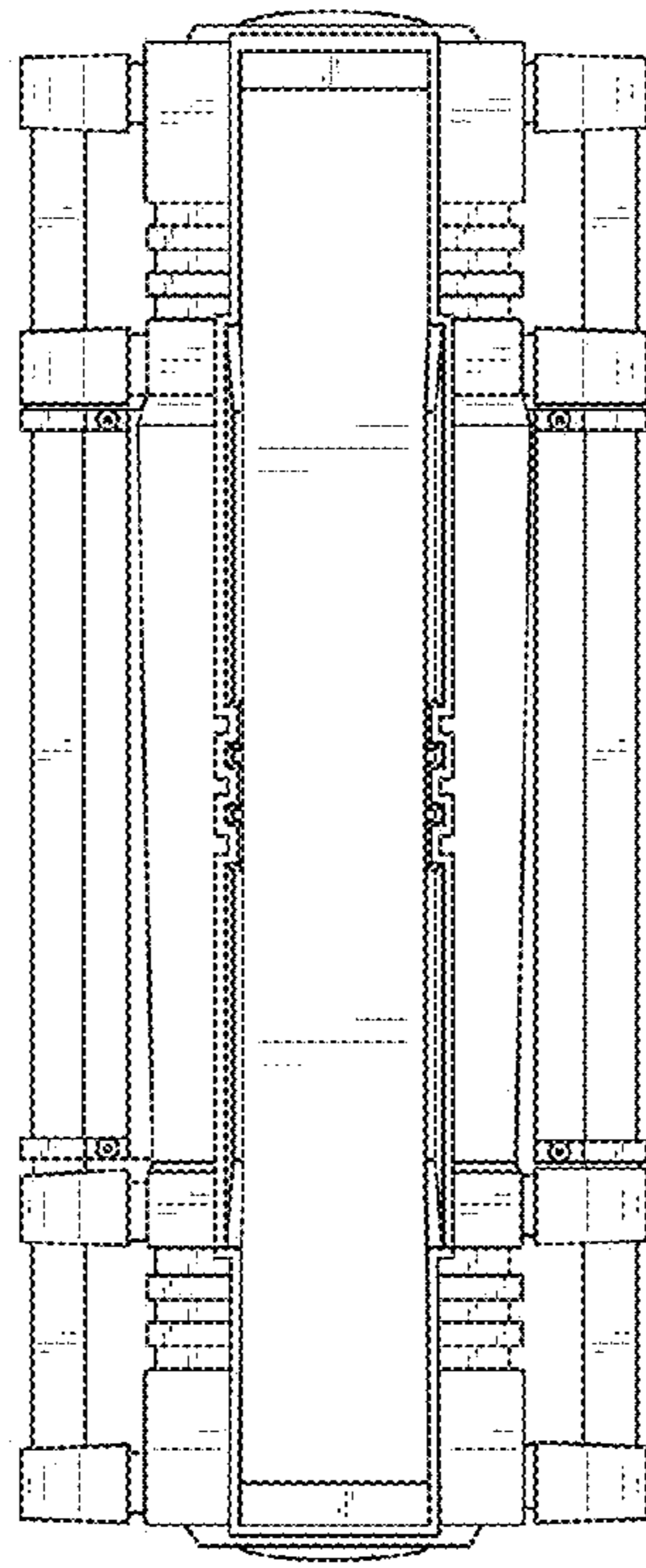


FIG. 5

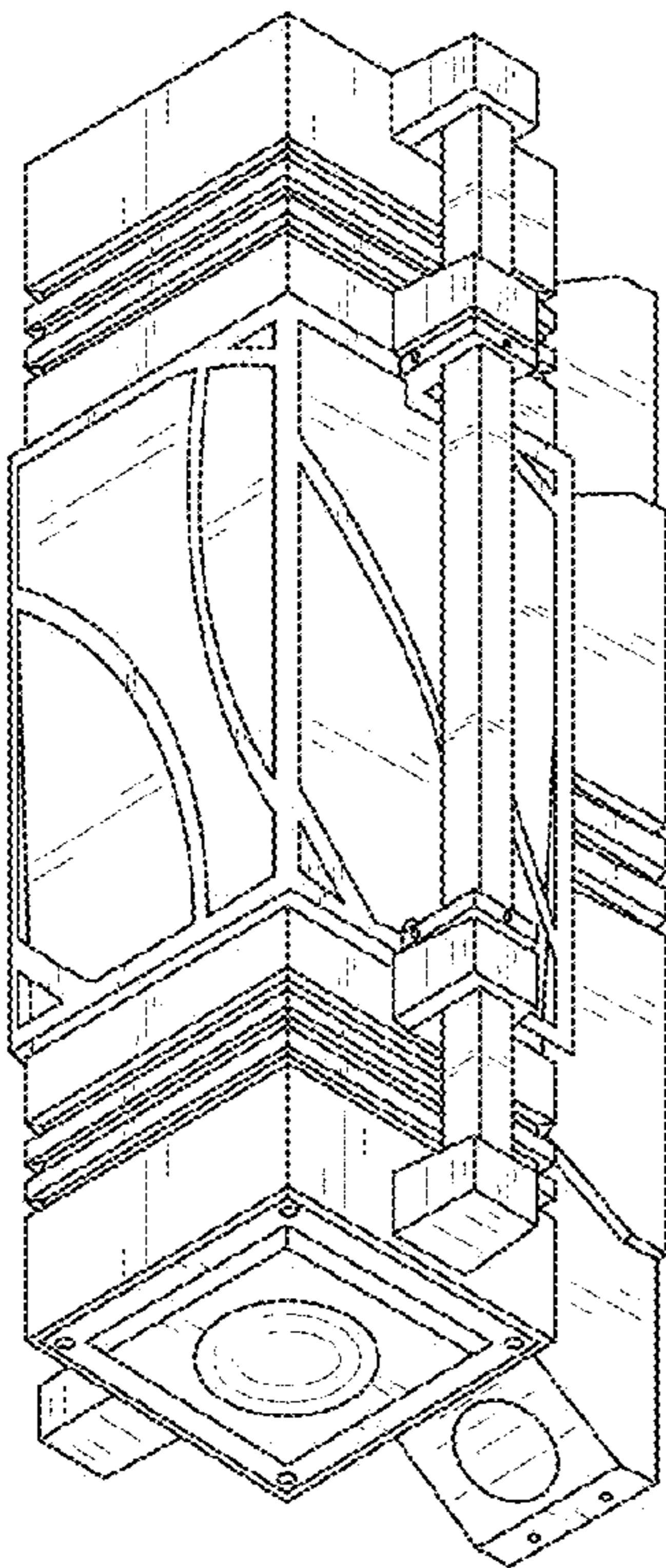


FIG. 6

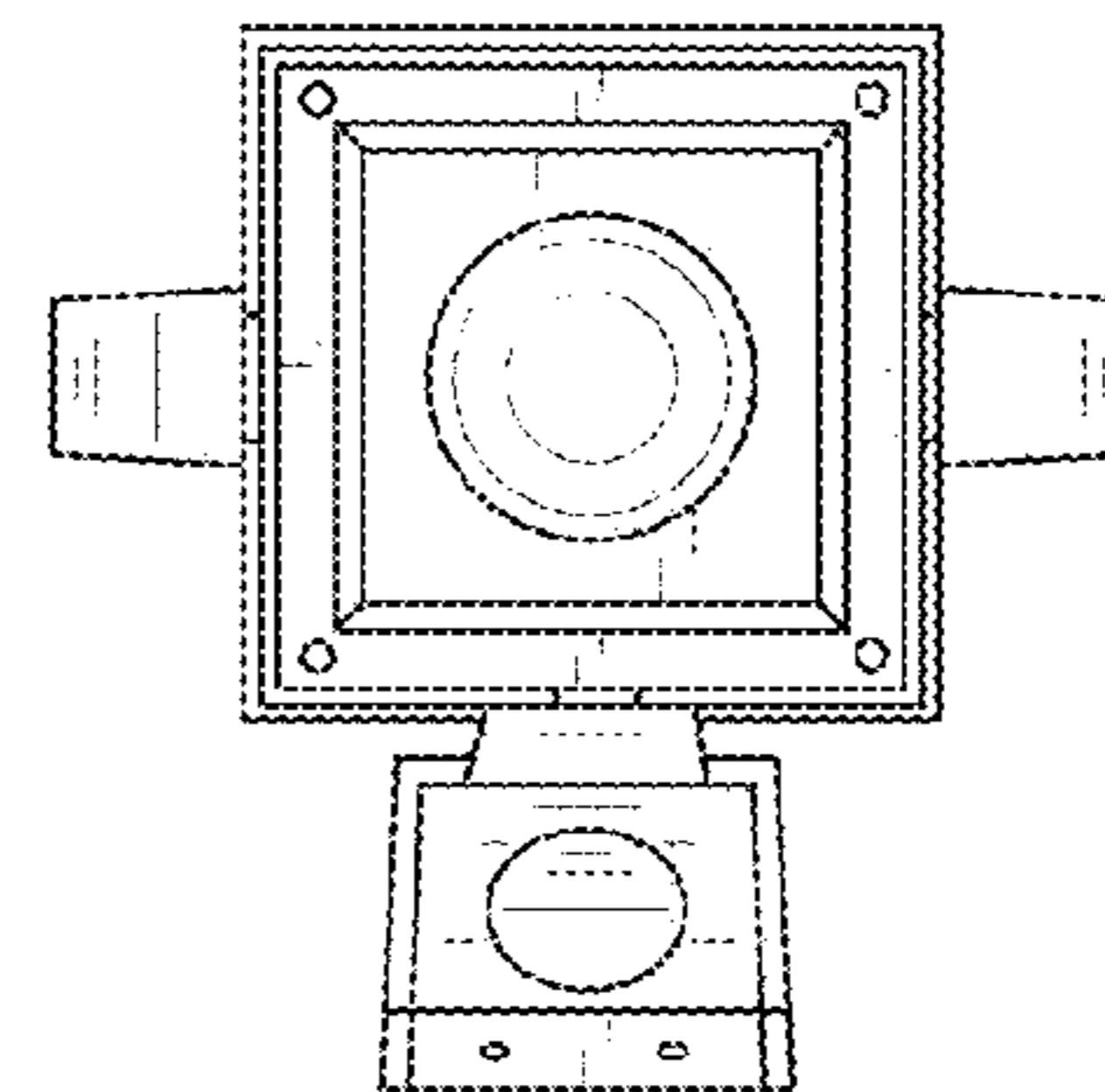


FIG. 7