



US00D728142S

(12) **United States Design Patent**
Dungan et al.

(10) **Patent No.:** **US D728,142 S**
(45) **Date of Patent:** **** Apr. 28, 2015**

- (54) **OUTDOOR LIGHTING FIXTURE**
- (71) Applicant: **Cree, Inc.**, Durham, NC (US)
- (72) Inventors: **William L Dungan**, Cary, NC (US);
Nathan Snell, Raleigh, NC (US)
- (73) Assignee: **Cree, Inc.**, Durham, NC (US)
- (**) Term: **14 Years**
- (21) Appl. No.: **29/481,410**
- (22) Filed: **Feb. 5, 2014**
- (51) **LOC (10) Cl.** **26-03**
- (52) **U.S. Cl.**
USPC **D26/85**
- (58) **Field of Classification Search**
USPC D26/72, 85-87, 92, 118, 120; 362/147,
362/432, 641, 644, 653
See application file for complete search history.

- D677,822 S * 3/2013 Yu D26/85
- D681,864 S * 5/2013 Guercio et al. D26/85
- D688,406 S * 8/2013 Goldy D26/85
- D691,320 S * 10/2013 Guercio et al. D26/85

* cited by examiner

Primary Examiner — Clare E Heflin

(74) *Attorney, Agent, or Firm* — Jenkins, Wilson, Taylor & Hunt, P.A.

(57) **CLAIM**

The ornamental design for an outdoor lighting fixture, as shown and described.

DESCRIPTION

FIG. 1 is a front perspective view of an outdoor lighting fixture showing our design according to a second embodiment;

FIG. 2 is a rear perspective view thereof, opposite the view of FIG. 1;

FIG. 3 is a top plan view thereof;

FIG. 4 is a bottom plan thereof, opposite the view of FIG. 3;

FIG. 5 is a first side view thereof;

FIG. 6 is a second side view thereof, opposite the view of FIG. 5; and,

FIG. 7 is a third side view thereof, the opposing side being a mirror image of that shown.

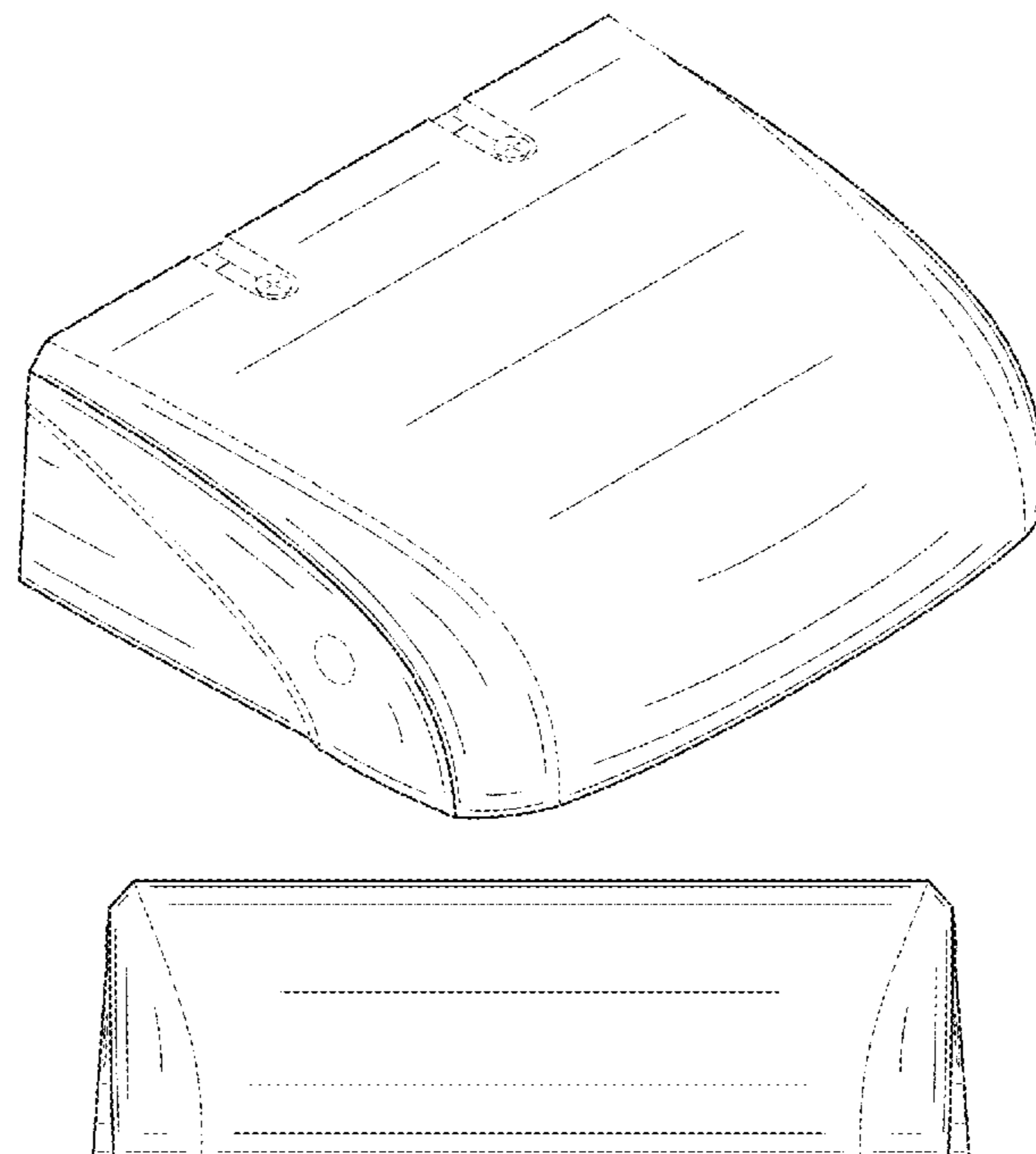
The dashed broken lines are included for the purpose of illustrating environment of the design and form no part of the claimed design. The dot-dash broken lines represent boundaries of the claimed design. None of the broken lines form part of the claimed design.

1 Claim, 3 Drawing Sheets

(56) **References Cited**

U.S. PATENT DOCUMENTS

- D468,046 S * 12/2002 Bernard et al. D26/85
- 7,150,542 B1 * 12/2006 Russello et al. 362/285
- D552,292 S * 10/2007 Martineau D26/85
- D562,491 S * 2/2008 DiCola D26/85
- D565,229 S * 3/2008 Haugaard et al. D26/72
- D568,524 S * 5/2008 Sandell D26/85
- 7,401,939 B2 * 7/2008 Haugaard et al. 362/147
- D578,242 S * 10/2008 Couillard et al. D26/85
- 7,547,117 B1 * 6/2009 Russello et al. 362/285
- D653,377 S * 1/2012 Guercio D26/85
- D667,586 S * 9/2012 Wilcox et al. D26/85
- D676,173 S * 2/2013 Akinrele et al. D26/71
- D676,174 S * 2/2013 Akinrele et al. D26/71



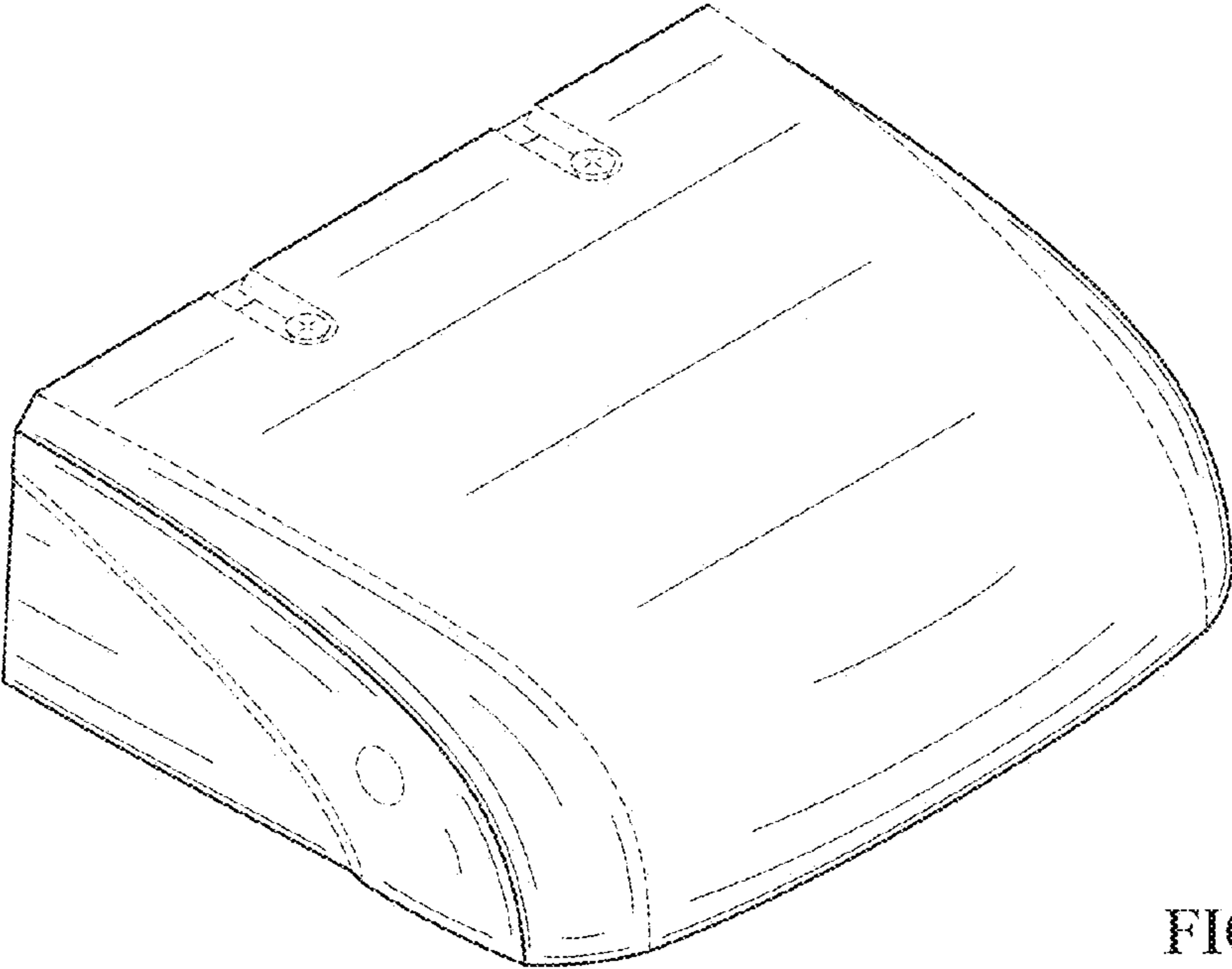


FIG. 1

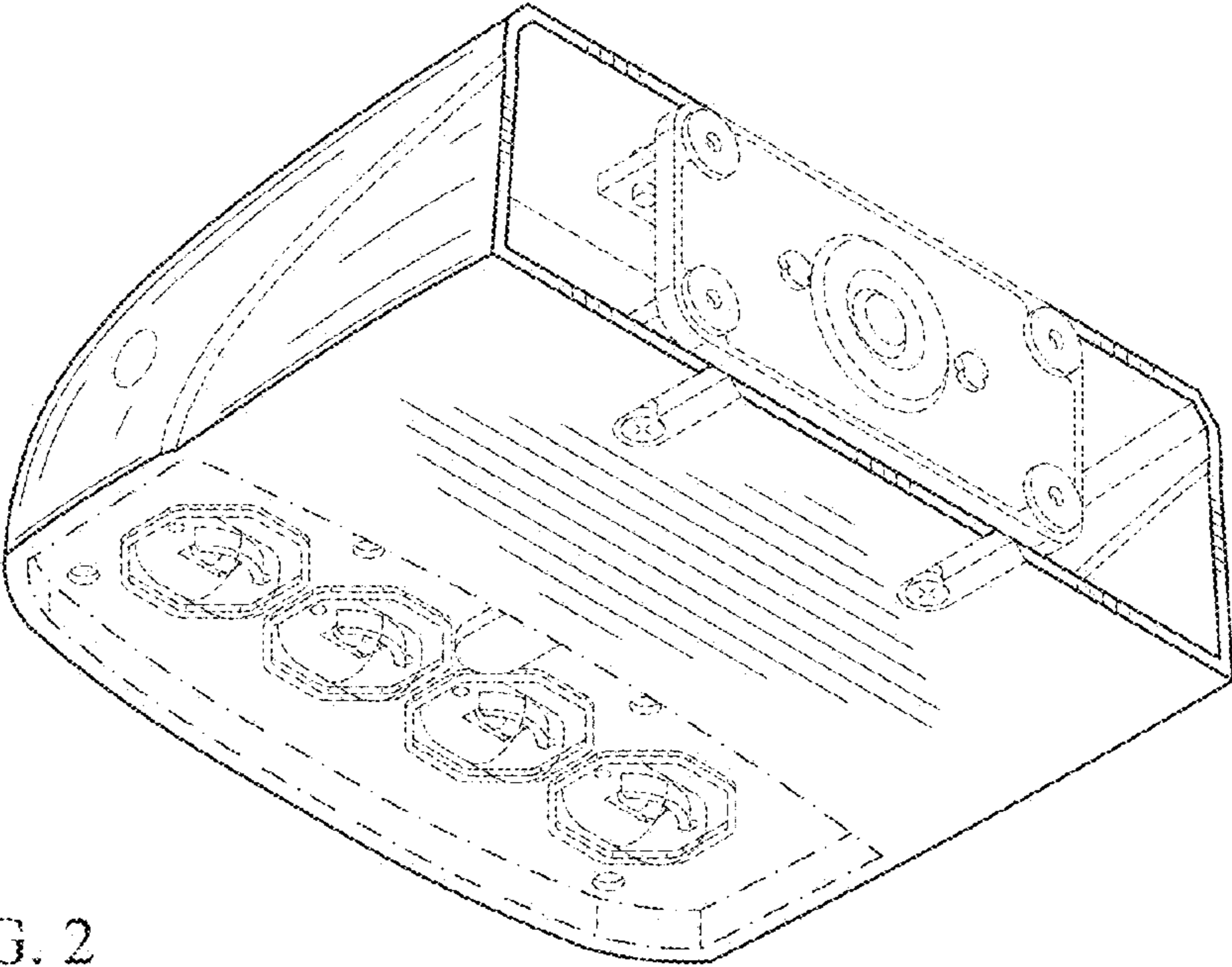


FIG. 2

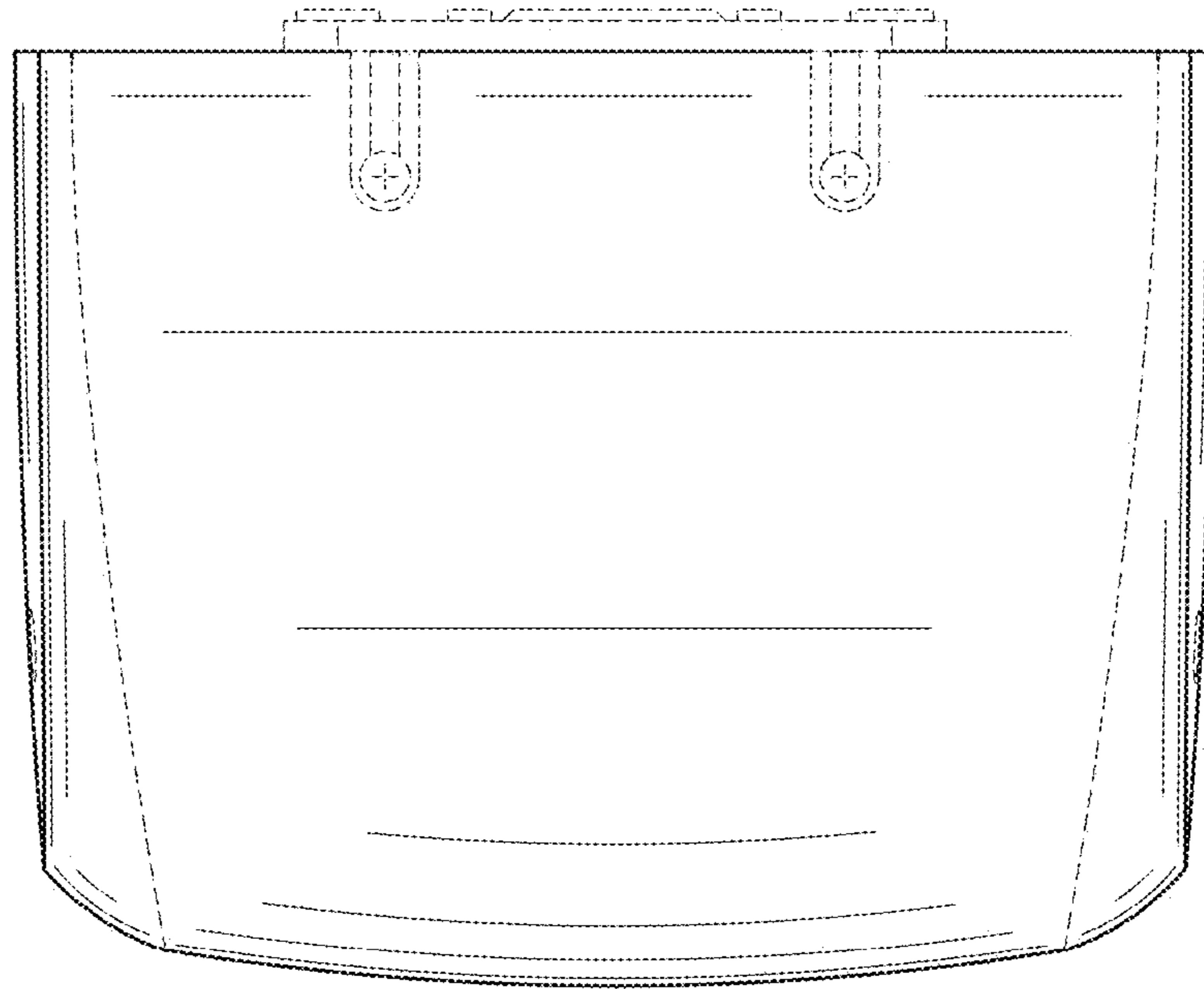


FIG. 3

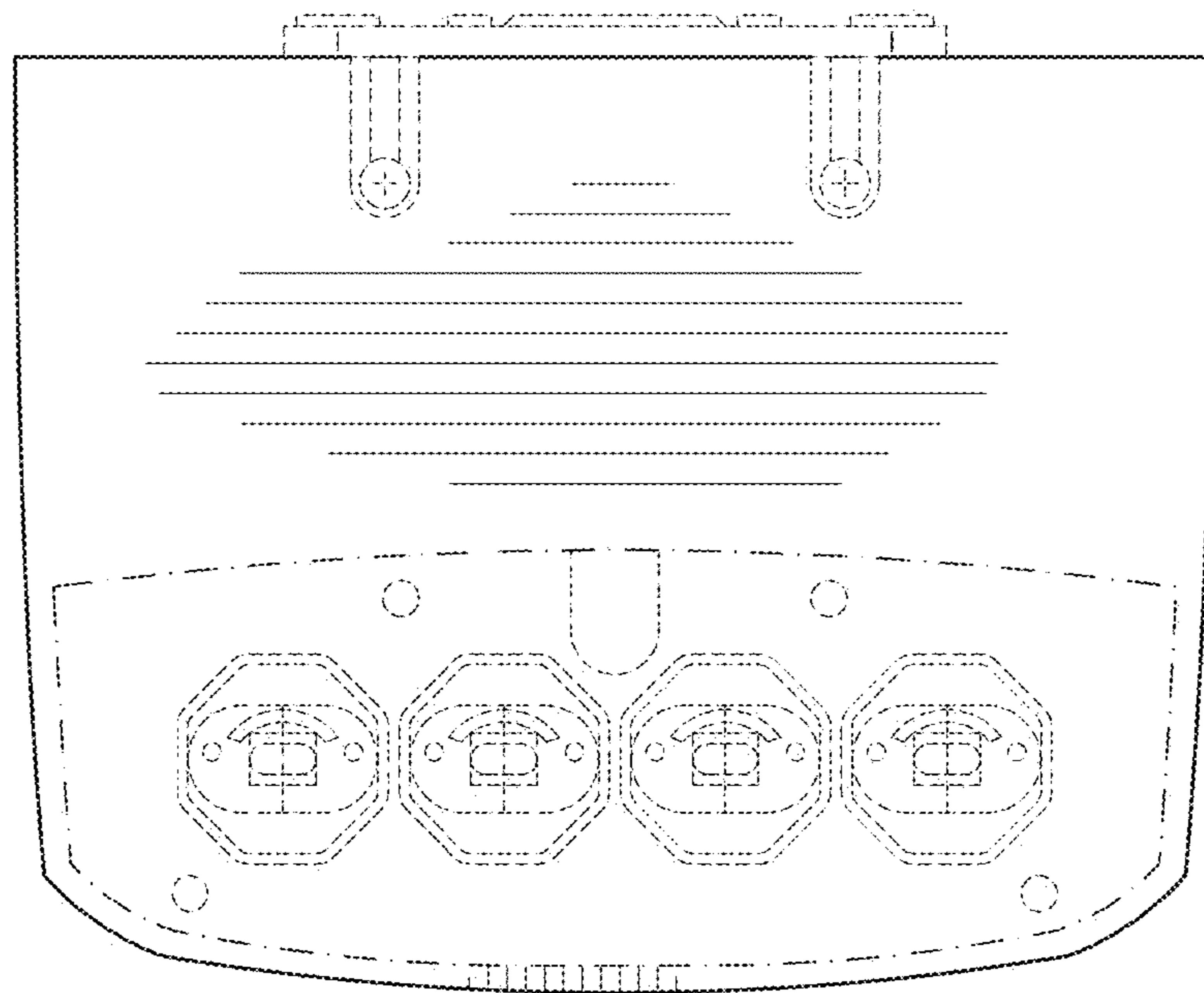


FIG. 4

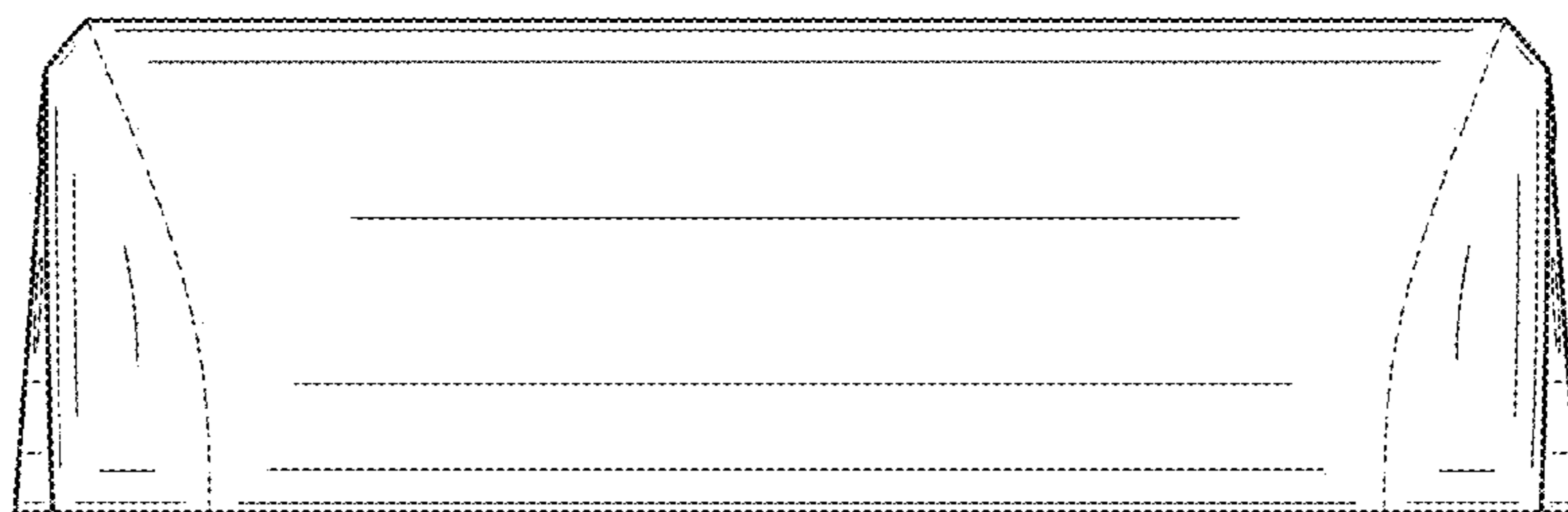


FIG. 5

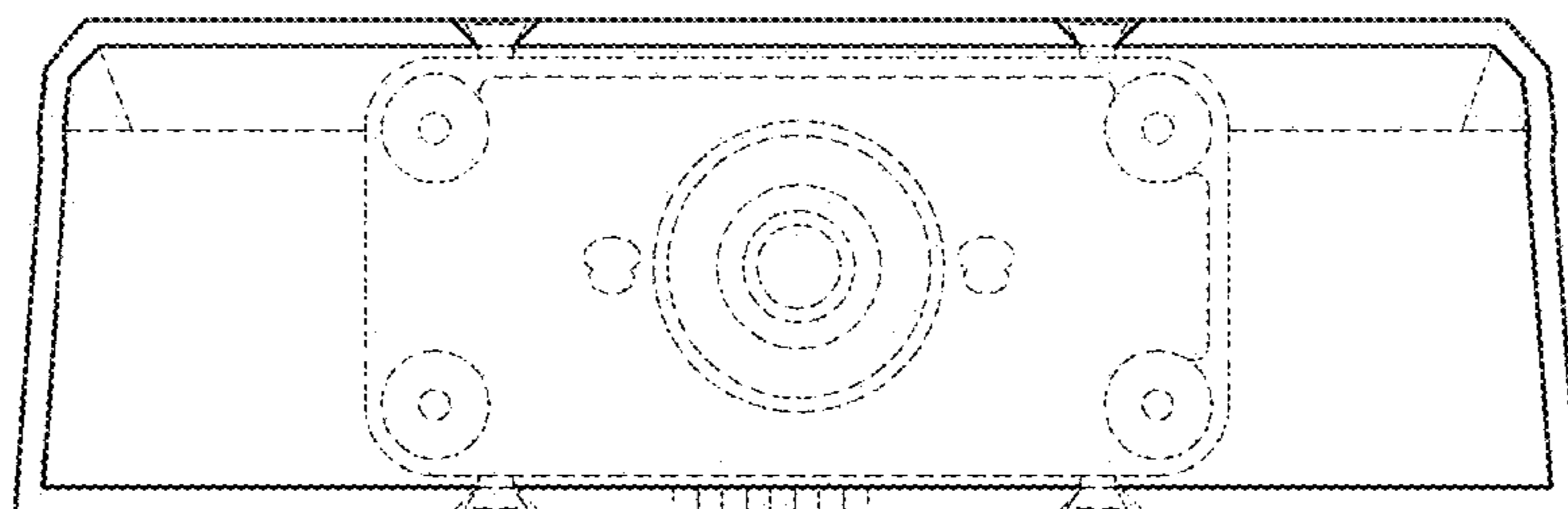


FIG. 6

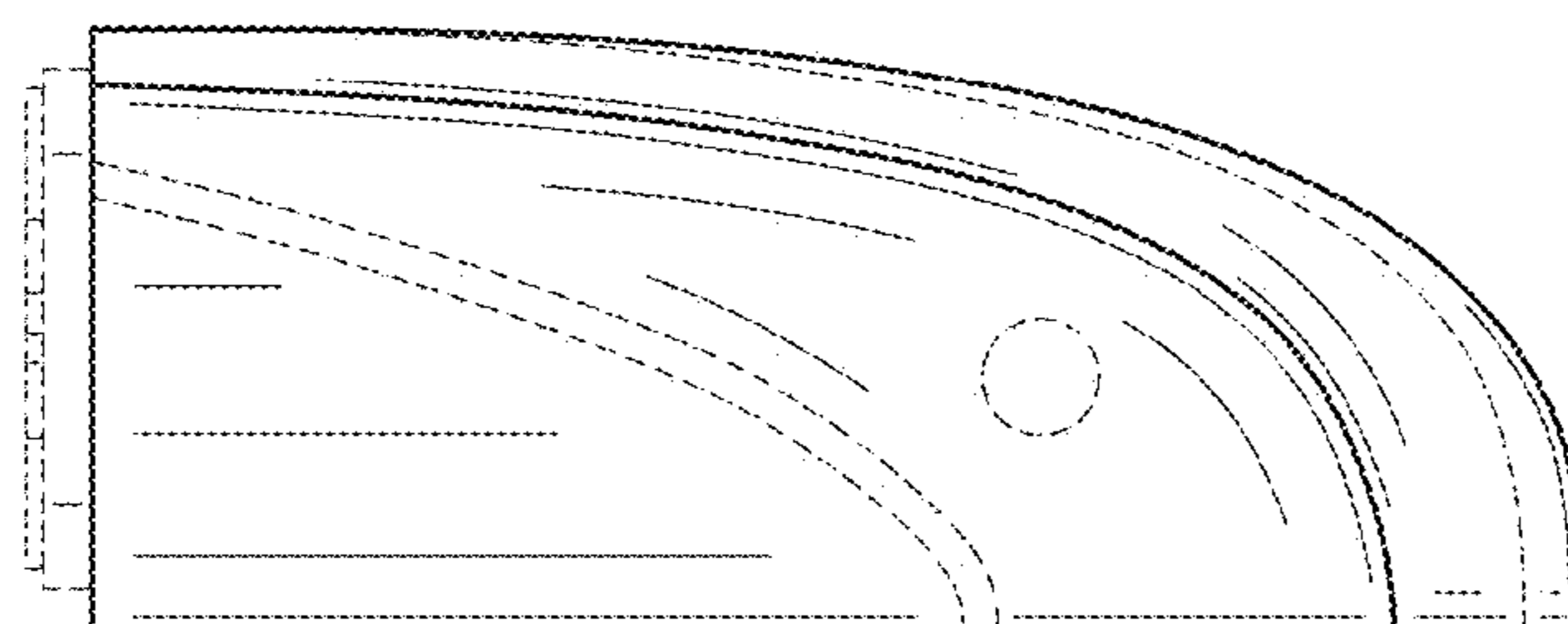


FIG. 7