

US00D728140S

(12) **United States Design Patent**
Lay et al.

(10) **Patent No.:** **US D728,140 S**

(45) **Date of Patent:** **** Apr. 28, 2015**

(54) **SURFACE AMBIENT WRAP LIGHT FIXTURE**

(71) Applicant: **Cree, Inc.**, Durham, NC (US)

(72) Inventors: **James Michael Lay**, Apex, NC (US);
Jennifer Denise West, Cary, NC (US)

(73) Assignee: **Cree, Inc.**, Durham, NC (US)

(**) Term: **14 Years**

(21) Appl. No.: **29/462,422**

(22) Filed: **Aug. 2, 2013**

(51) **LOC (10) Cl.** **26-03**

(52) **U.S. Cl.**
USPC **D26/80; D26/76**

(58) **Field of Classification Search**
USPC D26/72, 75-79, 80; 362/147,
362/217.01-219, 221-223, 217.02-217.08,
362/217.1

See application file for complete search history.

(56) **References Cited**

U.S. PATENT DOCUMENTS

D123,048	S	*	10/1940	Doane	D26/76
D123,757	S	*	12/1940	Dreyfuss	D26/76
D127,685	S	*	6/1941	MacCarthy	D26/78
2,259,151	A	*	10/1941	Claspy	362/355
D131,532	S	*	3/1942	Naysmith	D26/76
D136,797	S	*	12/1943	Mareck	D26/76
D150,735	S	*	8/1948	Schwartz et al.	D26/78
D150,923	S	*	9/1948	Boutelle et al.	D26/78
2,490,191	A	*	12/1949	Baker	362/223
D165,390	S	*	12/1951	Perry	D7/402
5,823,663	A		10/1998	Bell et al.		
D431,876	S	*	10/2000	Lewis	D26/76
D432,255	S	*	10/2000	Fahmian	D26/76
D437,959	S	*	2/2001	Lewis	D26/76
6,210,025	B1		4/2001	Schmidt et al.		
D445,214	S	*	7/2001	Lewis	D26/113
D457,981	S	*	5/2002	Yeh	D26/76

D487,527	S	*	3/2004	Sieczkowski	D26/76
7,213,940	B1		5/2007	Lu et al.		
7,722,220	B2		5/2010	Van de Ven		
D636,108	S	*	4/2011	Nguyen et al.	D26/89
7,926,972	B2	*	4/2011	Zhang	362/217.11
D653,793	S	*	2/2012	Marquardt et al.	D26/85
D663,882	S	*	7/2012	Muraishi et al.	D26/76
8,550,656	B2	*	10/2013	McCarthy et al.	362/217.01
2005/0146867	A1		7/2005	Kassay et al.	362/217
2011/0222270	A1		9/2011	Porciatti		
2012/0002408	A1		1/2012	Lichten et al.	362/218
2013/0050998	A1		2/2013	Chu et al.	362/218

OTHER PUBLICATIONS

U.S. Appl. No. 13/649,052, filed Oct. 10, 2012, Lowes, et al.

U.S. Appl. No. 13/649,067, filed Oct. 10, 2012, Lowes, et al.

(Continued)

Primary Examiner — Clare E Heflin

(74) *Attorney, Agent, or Firm* — Koppel, Patrick, Heybl & Philpott

(57) **CLAIM**

The ornamental design for a surface ambient wrap light fixture, as shown and described.

DESCRIPTION

FIG. 1 is a front perspective view of the surface ambient wrap light fixture showing the new design;

FIG. 2 is a right end elevation view thereof with the left end being identical;

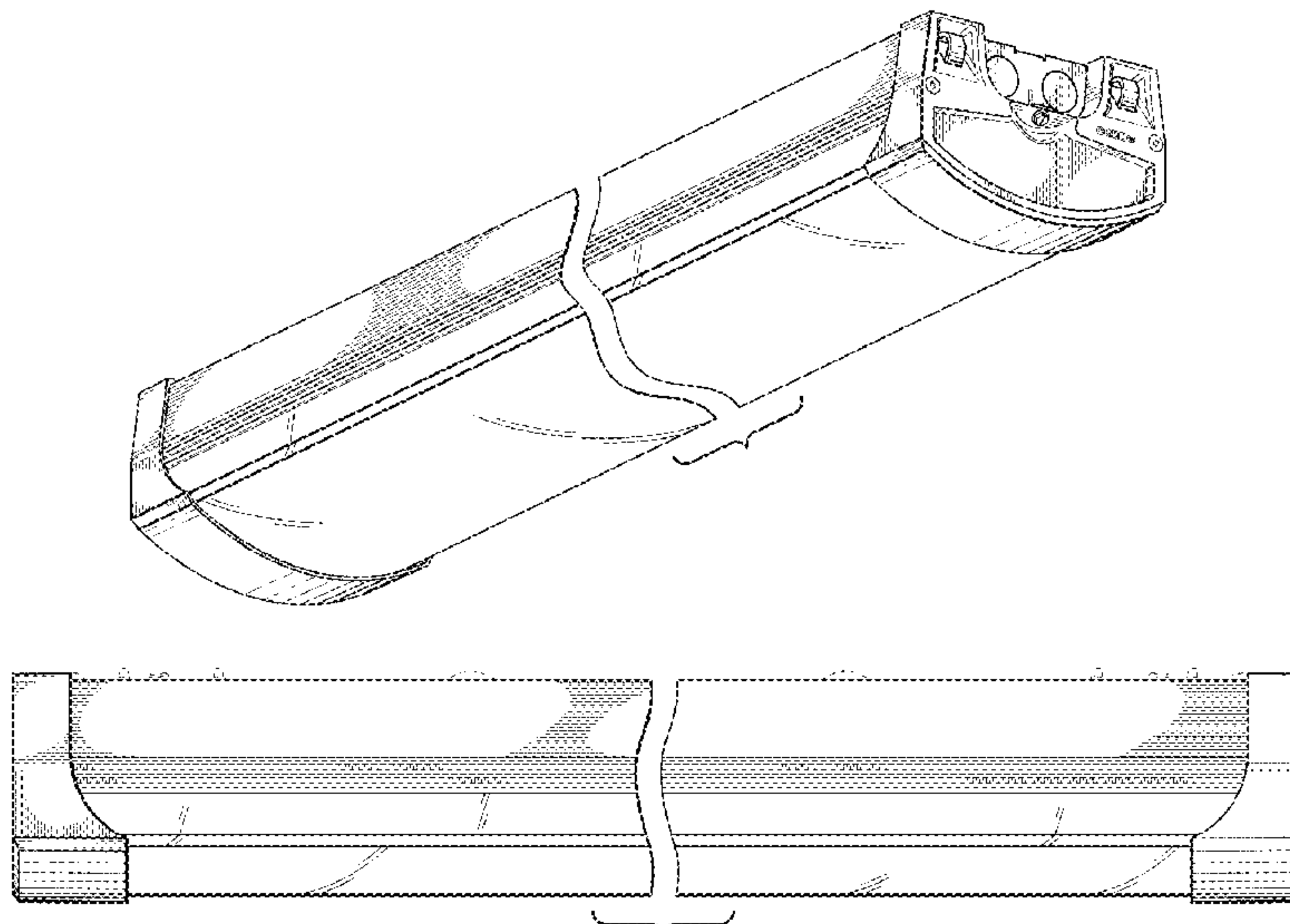
FIG. 3 is a rear elevation view thereof;

FIG. 4 is a right side elevation view thereof with the left side being identical; and,

FIG. 5 is a front elevation view thereof.

The light fixture is shown broken away and embraced by a bracket to indicate, for ease of illustration, that the precise length of the central portion of the housing is not claimed. The broken lines in FIGS. 2-4 depict portions of the light fixture that form no part of the claimed design.

1 Claim, 3 Drawing Sheets



(56)

References Cited

OTHER PUBLICATIONS

U.S. Appl. No. 13/770,389, filed Feb. 19, 2013, Lowes, et al.
U.S. Appl. No. 13/782,820, filed Mar. 1, 2013, Dixon, et al.
U.S. Appl. No. 12/873,303, filed Aug. 31, 2010, Edmond, et al.
U.S. Appl. No. 13/345,215, filed Jan. 6, 2012, Lu, et al.
U.S. Appl. No. 13/442,311, filed Apr. 9, 2012, Lu, et al.
U.S. Appl. No. 12/463,709, filed May 11, 2009, Donofrio, et al.
U.S. Appl. No. 11/656,759, filed Jan. 22, 2007, Chitnis, et al.
U.S. Appl. No. 11/899,790, filed Sep. 7, 2011, Chitnis, et al.
U.S. Appl. No. 13/830,698, filed Mar. 2, 2013, Durkee, et al.

U.S. Appl. No. 29/462,422, filed Aug. 2, 2013, Lay, et al.
Circalok™ conductive adhesive, 6972 and 6968, by Lord Corporation, 2 pages.
Office Action from U.S. Appl. No. 29/449,316, dated Jun. 5, 2014.
Office Action from U.S. Appl. No. 13/842,150, dated Jun. 18, 2014.
Leviton LED Magnetic Tube Retrofit Series datasheet, 1 page, from www.leviton.com.
Office Action from U.S. Appl. No. 29/450,283, dated Nov. 5, 2014.
Office Action from U.S. Appl. No. 29/449,316, dated Nov. 26, 2014.
Office Action from U.S. Appl. No. 13/840,812, dated Nov. 28, 2014.

* cited by examiner

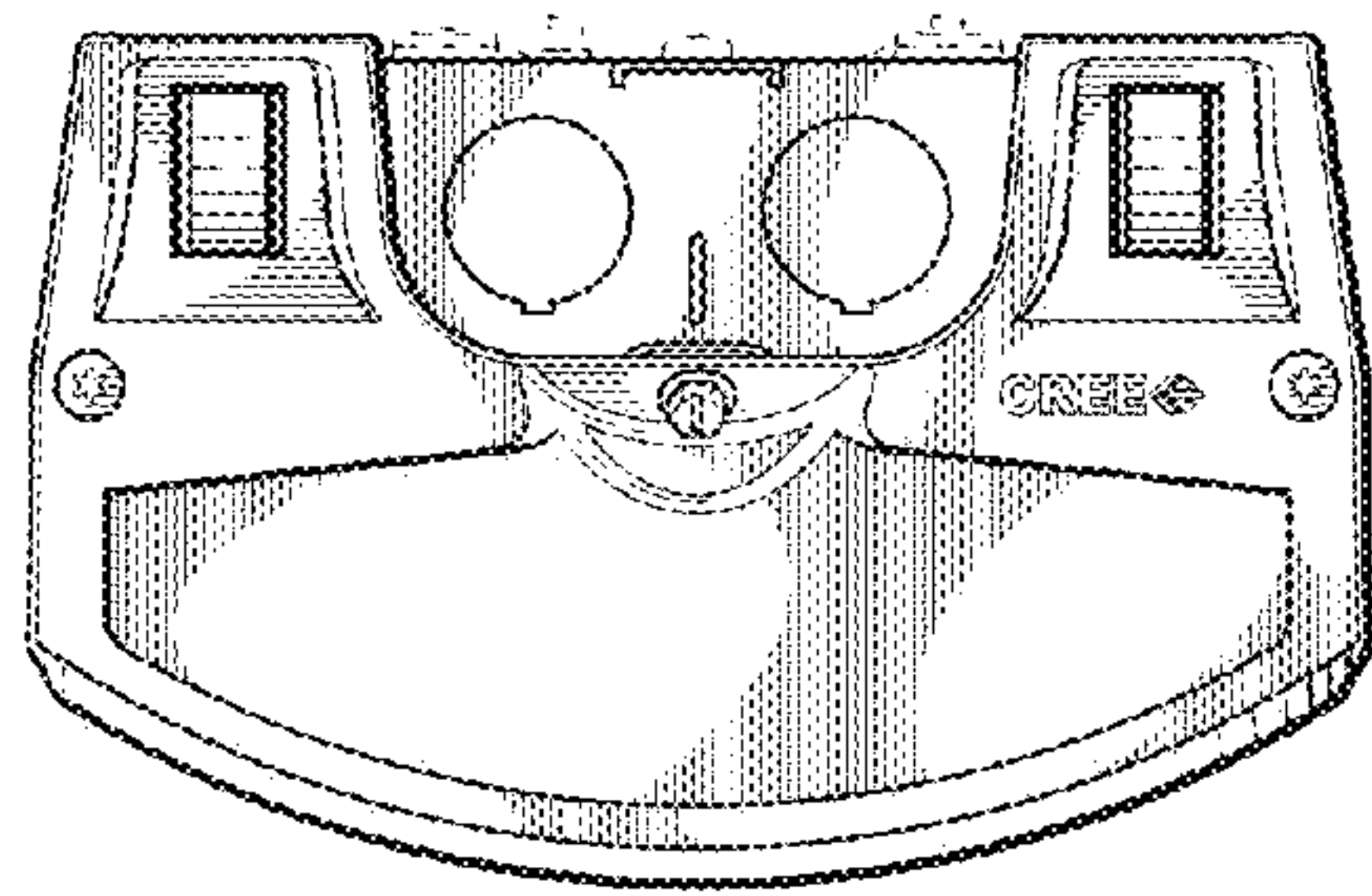


FIG. 2

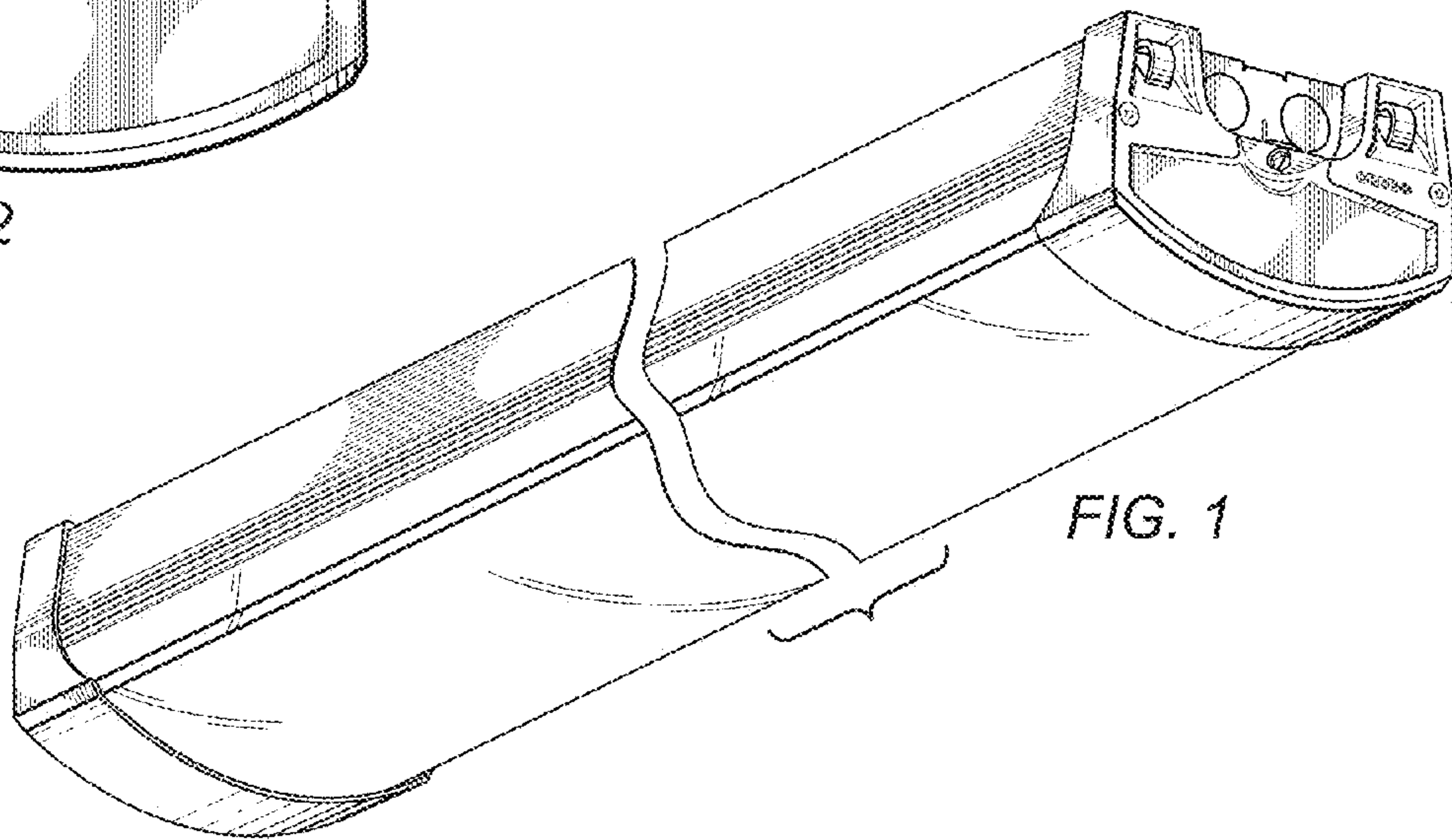


FIG. 1

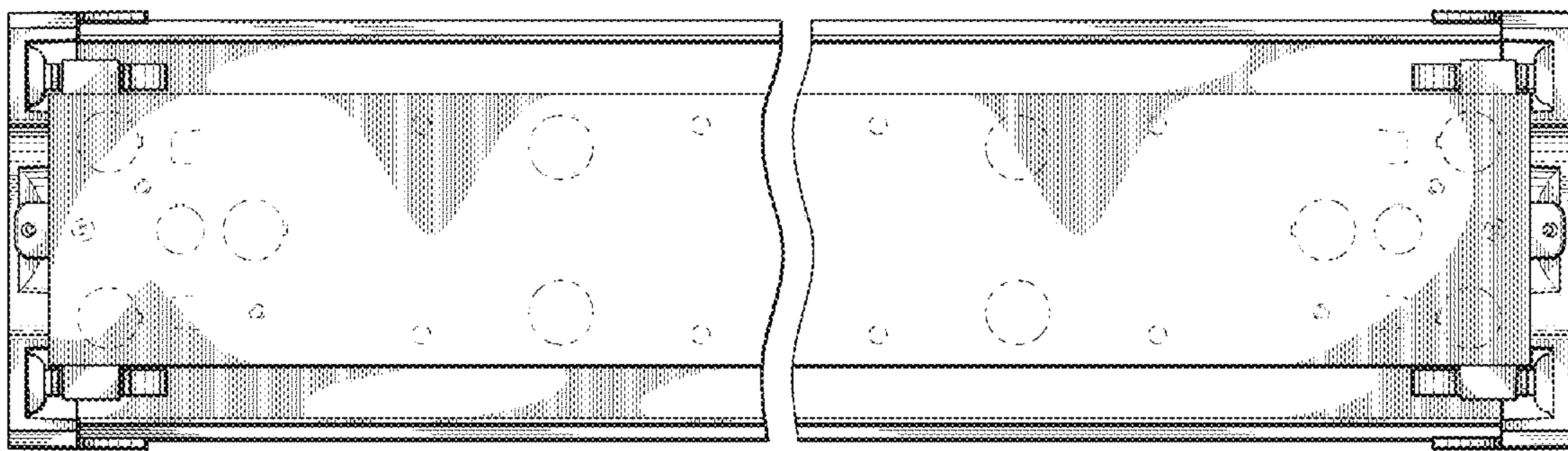


FIG. 3

FIG. 4

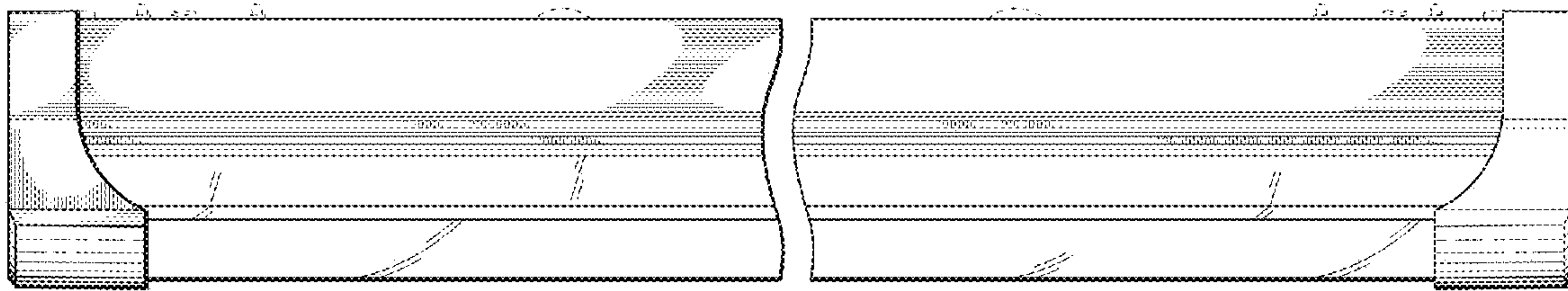


FIG. 5

