

US00D728139S

(12) **United States Design Patent**
Wang

(10) **Patent No.:** **US D728,139 S**
(45) **Date of Patent:** **** Apr. 28, 2015**

(54) **FLASHLIGHT**
(71) Applicant: **Day Sun Technology Ltd.**, Tainan (TW)
(72) Inventor: **Shih-Hao Wang**, Tainan (TW)
(73) Assignee: **Day Sun Technology Ltd.**, Tainan (TW)
(**) Term: **14 Years**
(21) Appl. No.: **29/473,468**

D687,995 S * 8/2013 Yeh D26/49
D687,996 S * 8/2013 Yeh D26/49
D689,227 S * 9/2013 Yeh D26/46
D690,448 S * 9/2013 Yeh D26/46
D690,449 S * 9/2013 Yeh D26/46

* cited by examiner

Primary Examiner — Ian Simmons
Assistant Examiner — Carissa C Fitts
(74) *Attorney, Agent, or Firm* — Alan D. Kamrath; Kamrath IP Lawfirm, P.A.

(22) Filed: **Nov. 22, 2013**
(51) **LOC (10) Cl.** **26-02**
(52) **U.S. Cl.**
USPC **D26/49**
(58) **Field of Classification Search**
CPC F21L 2/00; F21L 4/00; F21L 4/005;
F21L 17/00; F21L 13/08
USPC D26/37, 46, 49, 38; 362/157, 158, 183,
362/184, 194–196, 202–208
See application file for complete search history.

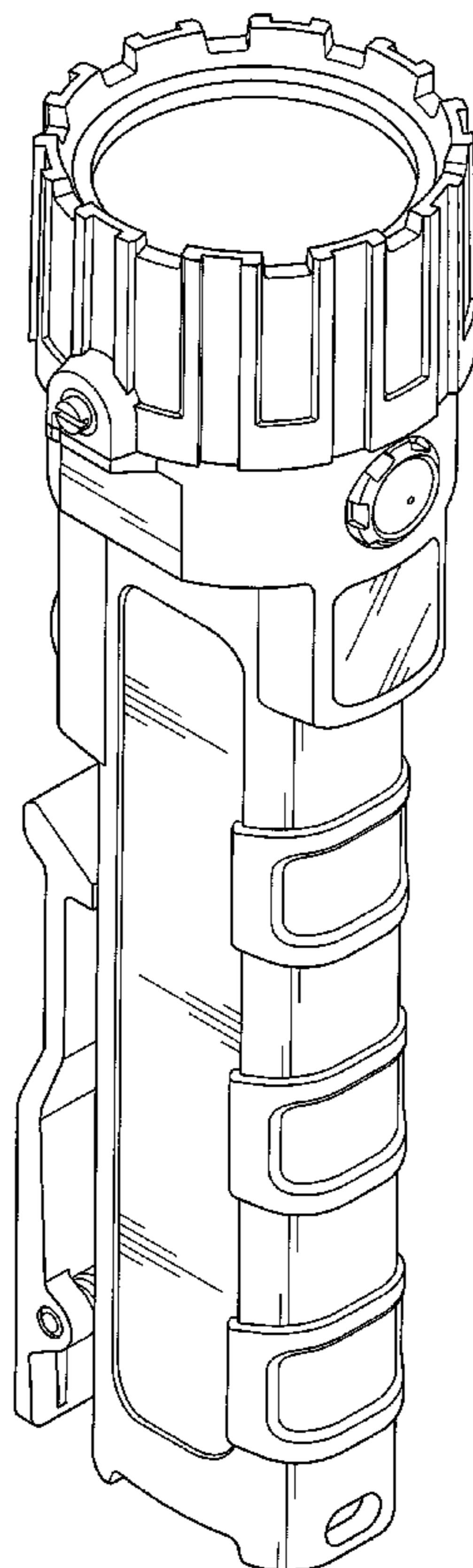
(57) **CLAIM**
The ornamental design for a flashlight, as shown and described.

DESCRIPTION

FIG. 1 is a perspective view of a flashlight showing my new design;
FIG. 2 is a front side elevational view thereof;
FIG. 3 is a rear side elevational view thereof;
FIG. 4 is a left side elevational view thereof;
FIG. 5 is a right side elevational view thereof;
FIG. 6 is a top plan view thereof; and,
FIG. 7 is a bottom plan view thereof.
The broken lines shown represent unclaimed portions of the design and form no part of the claim.

(56) **References Cited**
U.S. PATENT DOCUMENTS
D308,257 S * 5/1990 Staubitz et al. D26/49
D601,284 S * 9/2009 Schonenbach D26/46
D664,693 S * 7/2012 Yeh D26/46
D687,992 S * 8/2013 Yeh D26/46
D687,993 S * 8/2013 Yeh D26/46

1 Claim, 6 Drawing Sheets



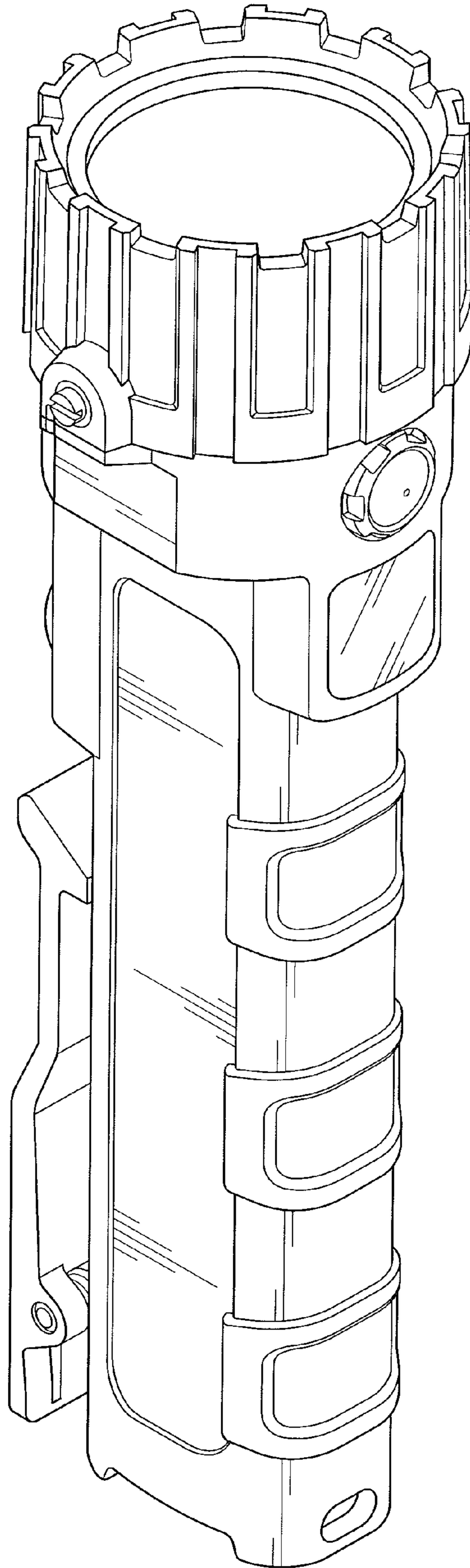


FIG. 1

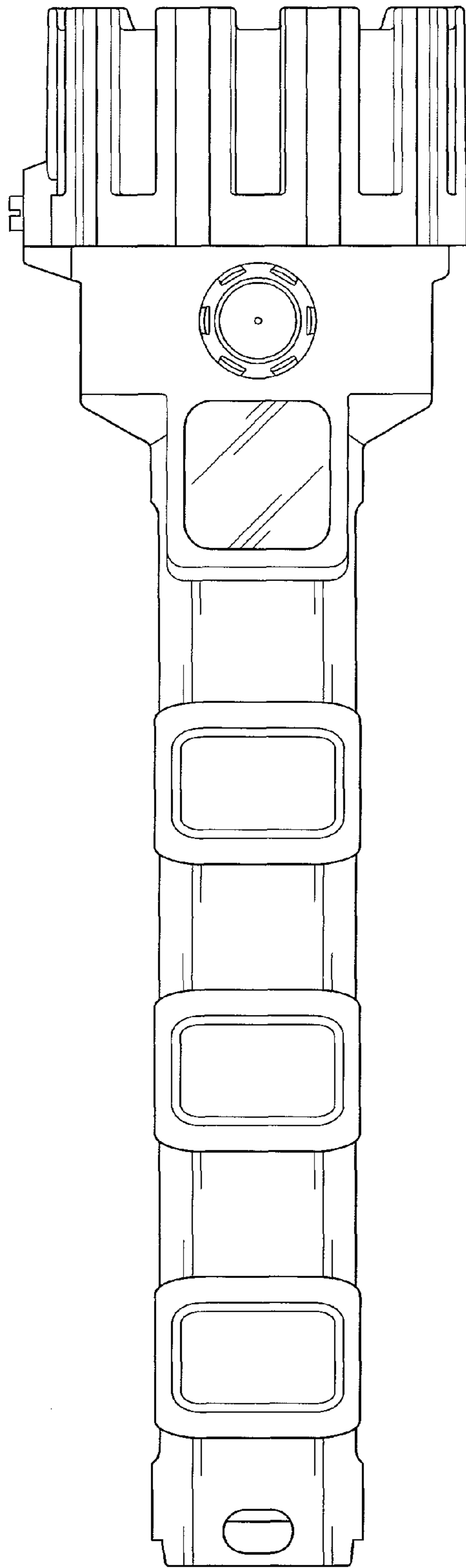


FIG. 2

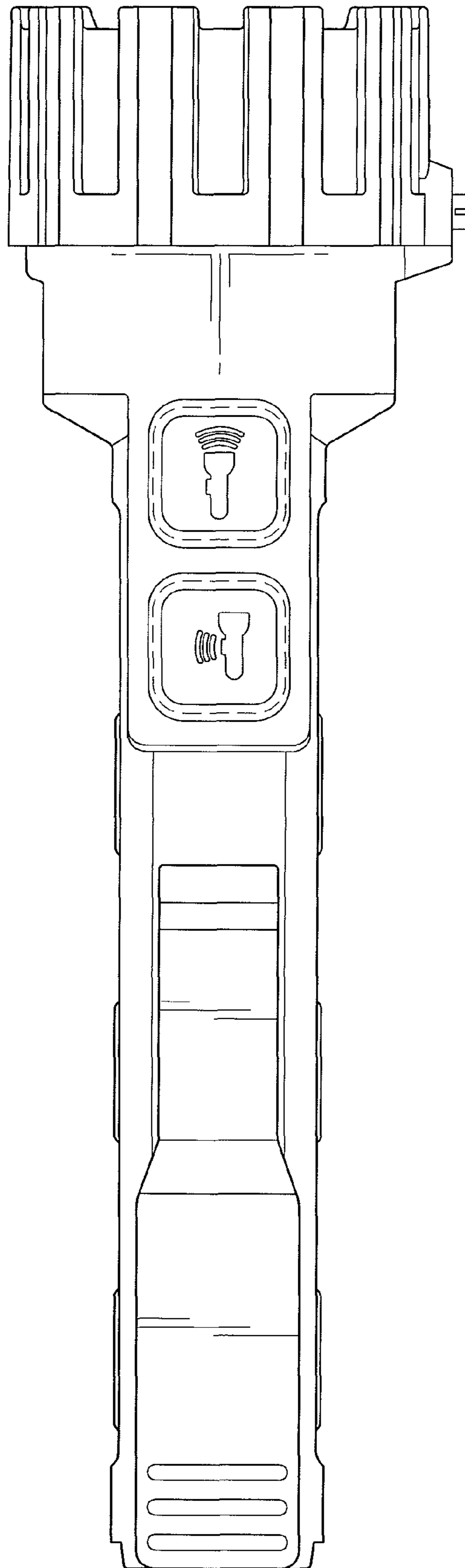


FIG. 3

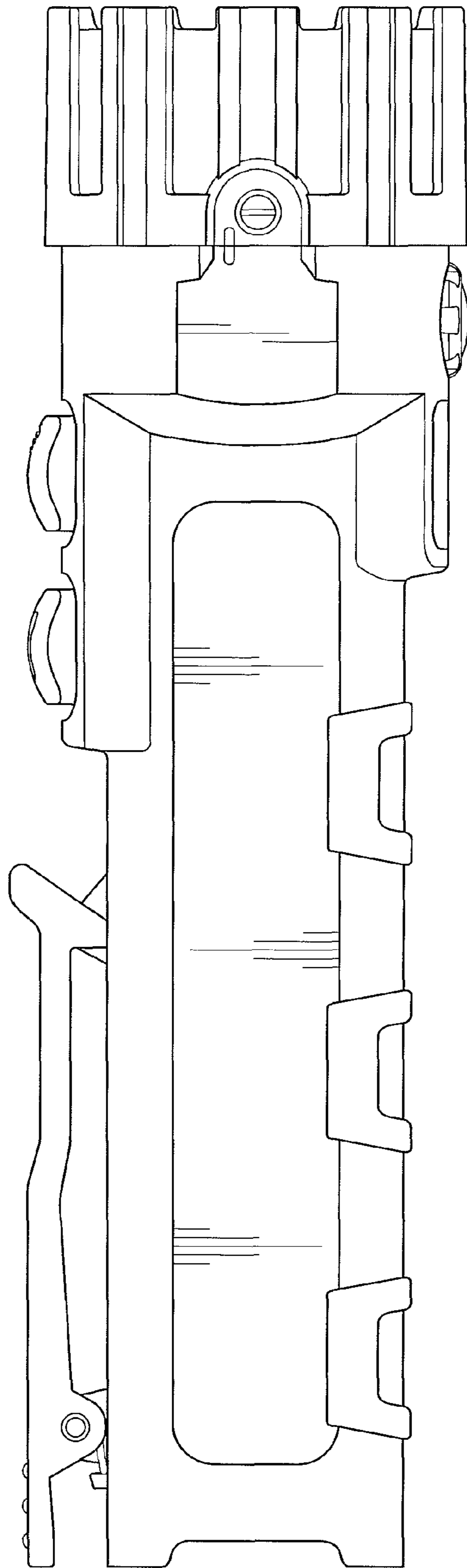


FIG. 4

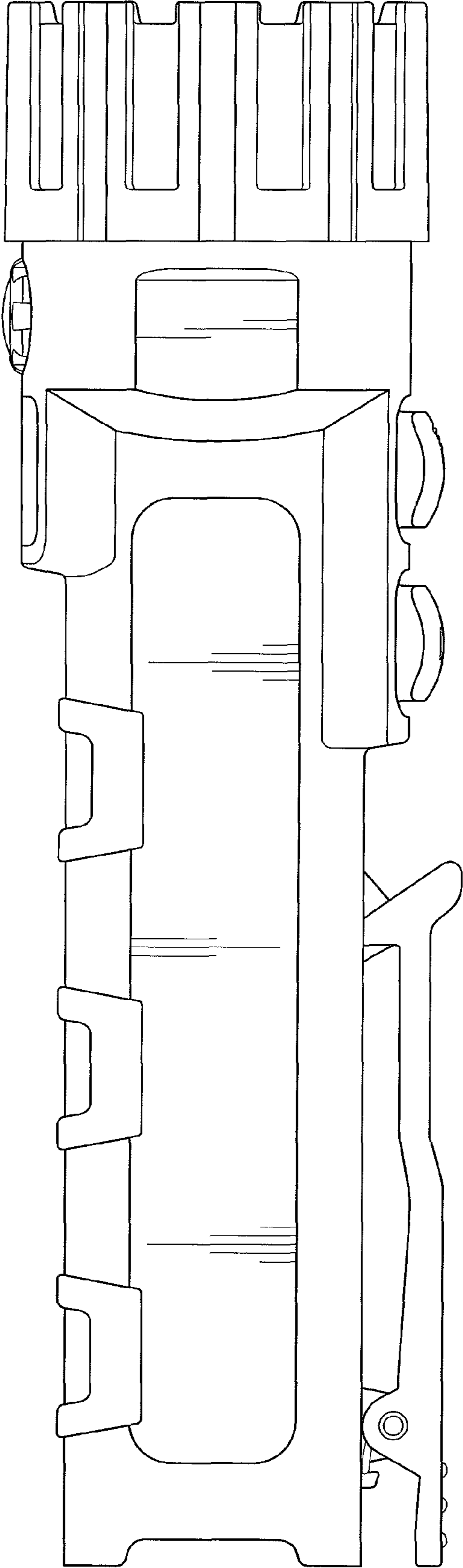


FIG. 5

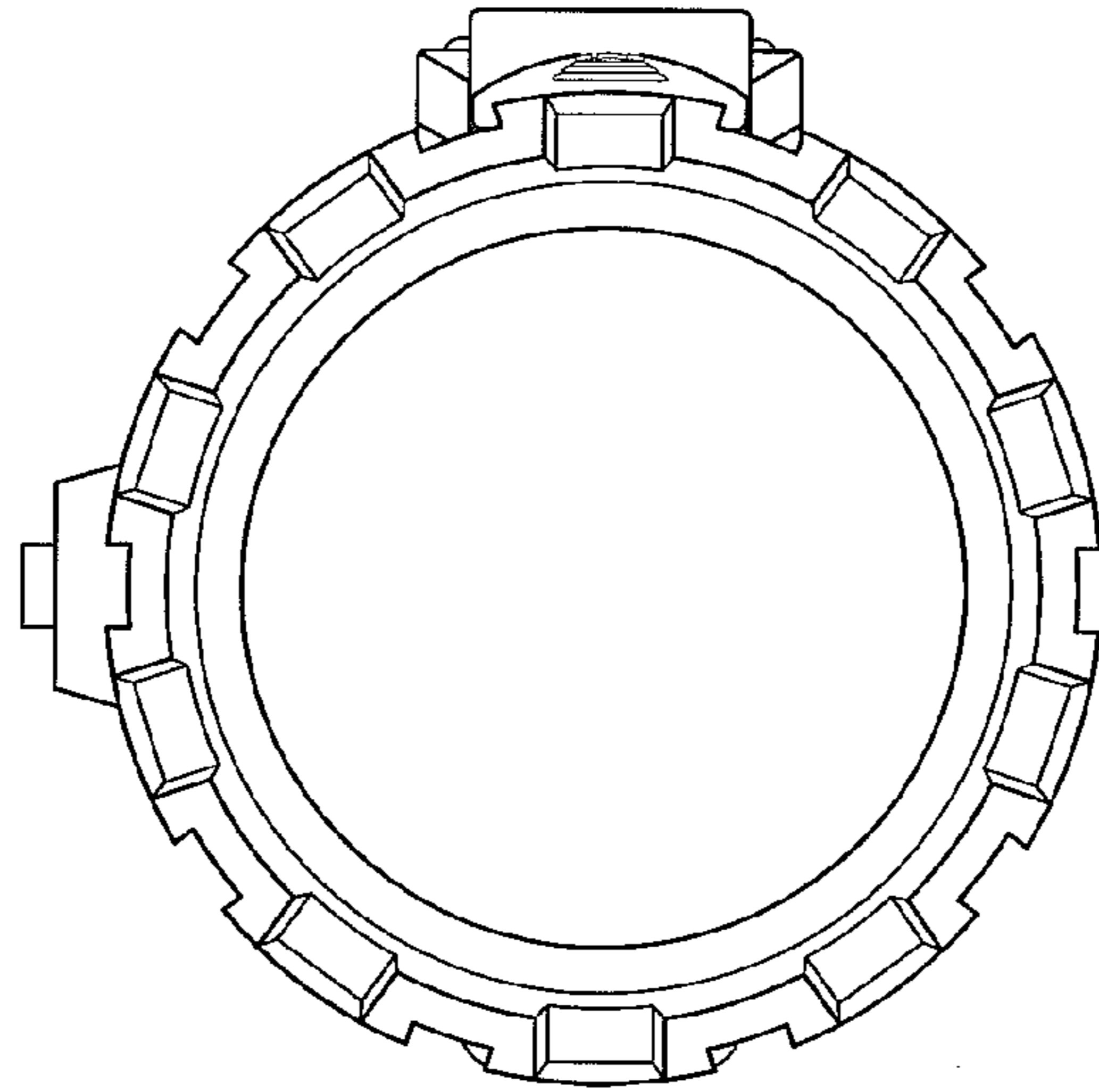


FIG. 6

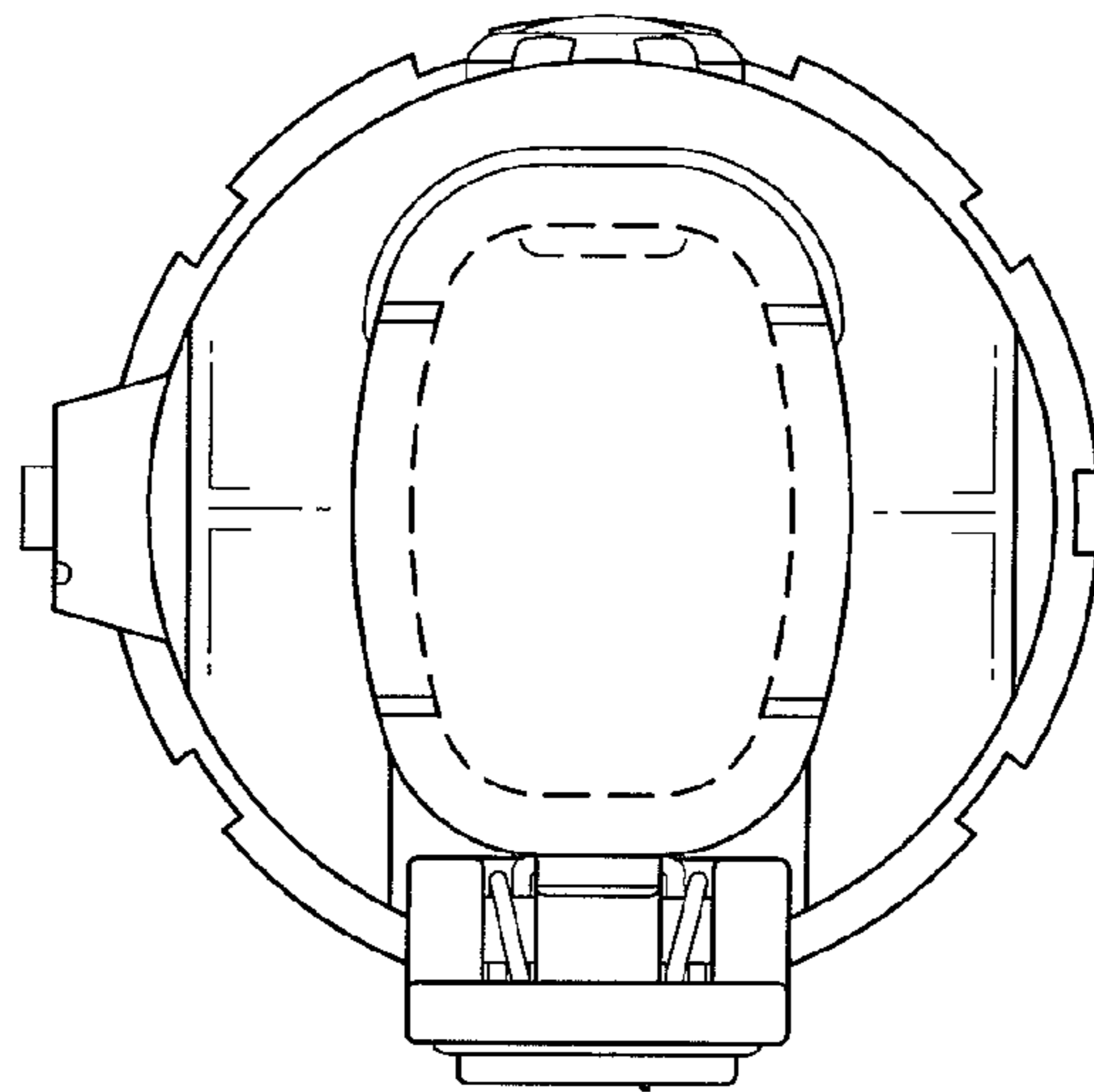


FIG. 7