



US00D728133S

(12) **United States Design Patent**  
**Bieling et al.**

(10) **Patent No.:** **US D728,133 S**

(45) **Date of Patent:** **\*\* Apr. 28, 2015**

(54) **HEADLIGHT FOR A VEHICLE**

D679,430 S 4/2013 Frenzel et al.  
D679,844 S 4/2013 Frenzel et al.  
D691,298 S \* 10/2013 Binder et al. .... D26/28

(71) Applicant: **Daimler AG**, Stuttgart (DE)

\* cited by examiner

(72) Inventors: **Matthias Bieling**, Gaertringen (DE);  
**Hans-Dieter Futschik**, Gechingen (DE);  
**Stefan Handt**, Stuttgart (DE); **Frank Pfisterer**, Weil der Stadt (DE); **Gorden Wagener**, Gaeufelden (DE)

*Primary Examiner* — Marcus Jackson  
(74) *Attorney, Agent, or Firm* — Crowell & Moring LLP

(73) Assignee: **Daimler AG**, Stuttgart (DE)

(57) **CLAIM**  
The ornamental design for a headlight for a vehicle, as shown and described.

(\*\*) Term: **14 Years**

(21) Appl. No.: **29/455,773**

(22) Filed: **May 24, 2013**

(30) **Foreign Application Priority Data**

Nov. 28, 2012 (DE) ..... 40 2012 005 357

(51) **LOC (10) Cl.** ..... **26-06**

(52) **U.S. Cl.**  
USPC ..... **D26/28**

(58) **Field of Classification Search**  
USPC ..... D26/28-36; 362/459-468, 475-478,  
362/485-487

See application file for complete search history.

(56) **References Cited**

U.S. PATENT DOCUMENTS

D538,956 S	*	3/2007	Ishii	.....	D26/28
D544,614 S	*	6/2007	Markefka	.....	D26/28
D561,358 S	*	2/2008	Tachibana	.....	D26/28
D570,007 S	*	5/2008	Hsu	.....	D26/28
D582,587 S	*	12/2008	Yang	.....	D26/28
D593,232 S	*	5/2009	Koman et al.	.....	D26/28
D635,694 S	*	4/2011	Yang et al.	.....	D26/28
D671,033 S		11/2012	Fetherston et al.		
D671,044 S		11/2012	Fetherston et al.		
D679,429 S		4/2013	Frenzel et al.		

**DESCRIPTION**

This application contains subject matter related to the following co-pending U.S. design patent applications:

Application Ser. No. 29/455,774, filed herewith and entitled "Headlight for a Vehicle";

Application Ser. No. 29/446,299, filed Feb. 22, 2013 and entitled "Vehicle, Toy, and/or Replicas Thereof;" and

Application Ser. No. 29/446,300, filed Feb. 22, 2013 and entitled "Front Portion of a Vehicle, Toy, and/or Replicas Thereof."

FIG. 1 is a right perspective view of a first embodiment of a headlight for a vehicle according to the design;

FIG. 2 is a front view thereof.

FIG. 3 is a right side view thereof; and

FIG. 4 is a top view thereof.

FIG. 5 is a left perspective view of a second embodiment of the headlight for a vehicle thereof, with the headlight for a vehicle from the opposite side of the vehicle being depicted in the first embodiment;

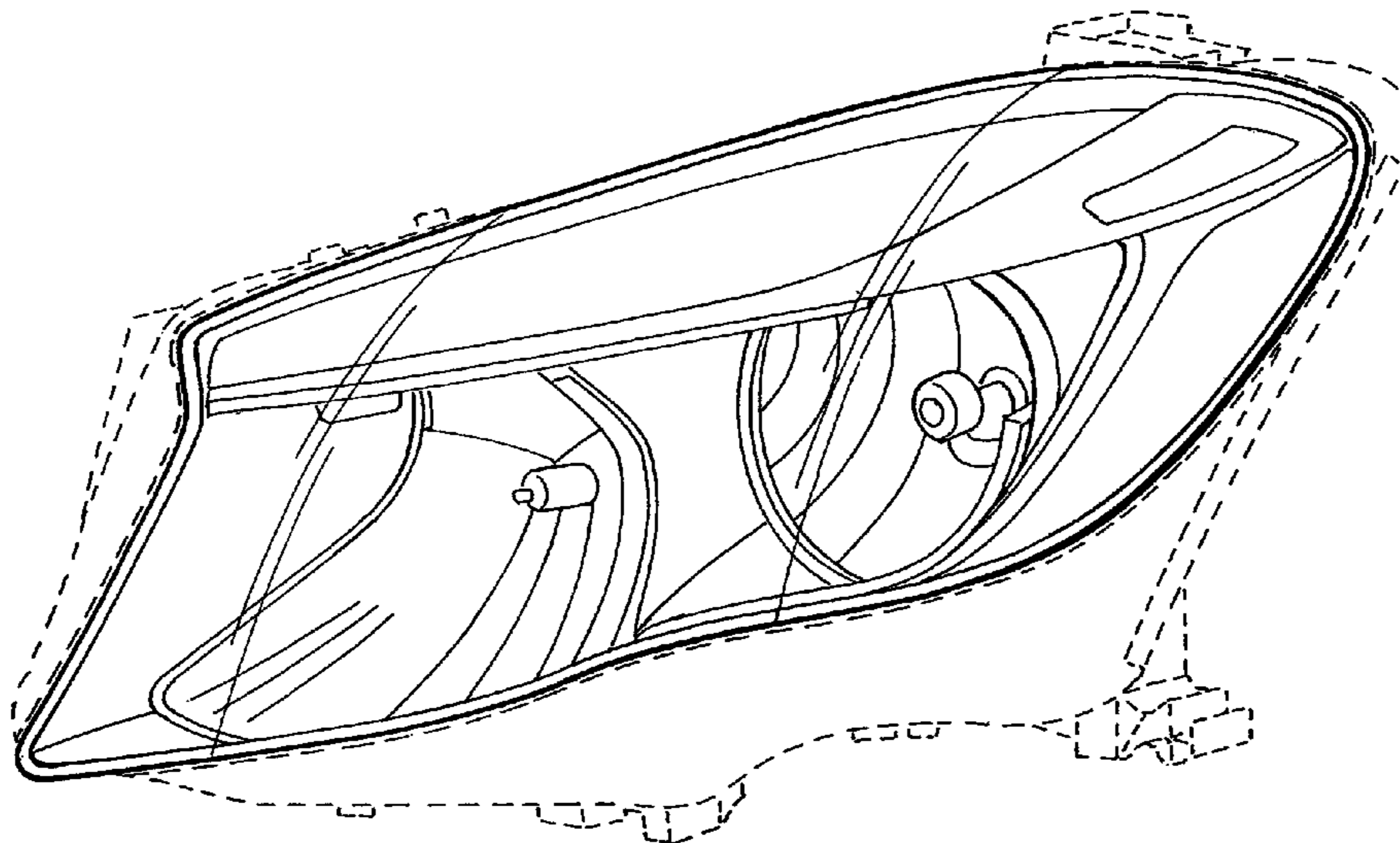
FIG. 6 is a front view thereof.

FIG. 7 is a left side view thereof; and,

FIG. 8 is a top view thereof.

The broken lines are for illustrative purposes only and form no part of the claimed design. Also enclosed is a set of photographs of an embodiment of the design.

**1 Claim, 4 Drawing Sheets**



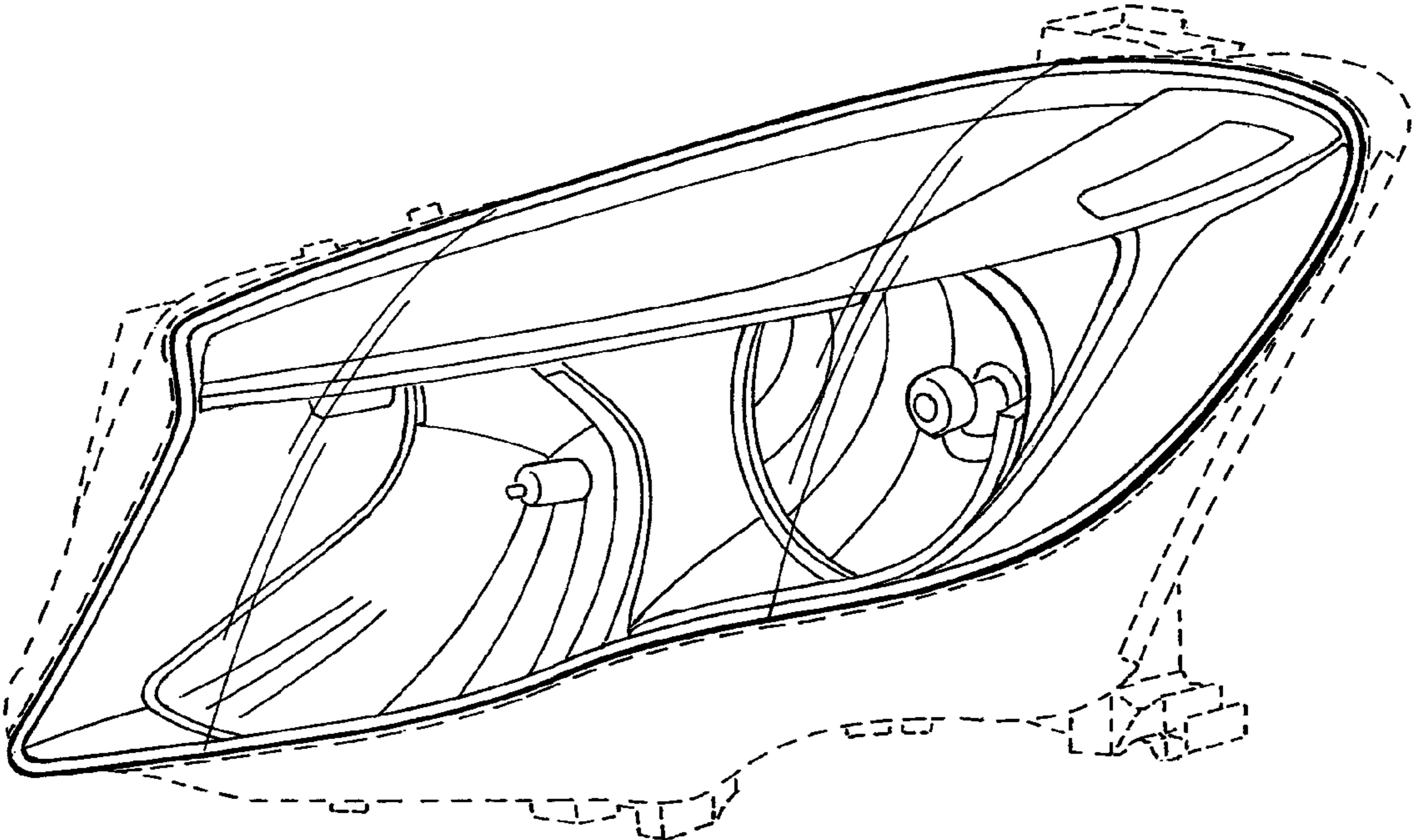


FIG. 1

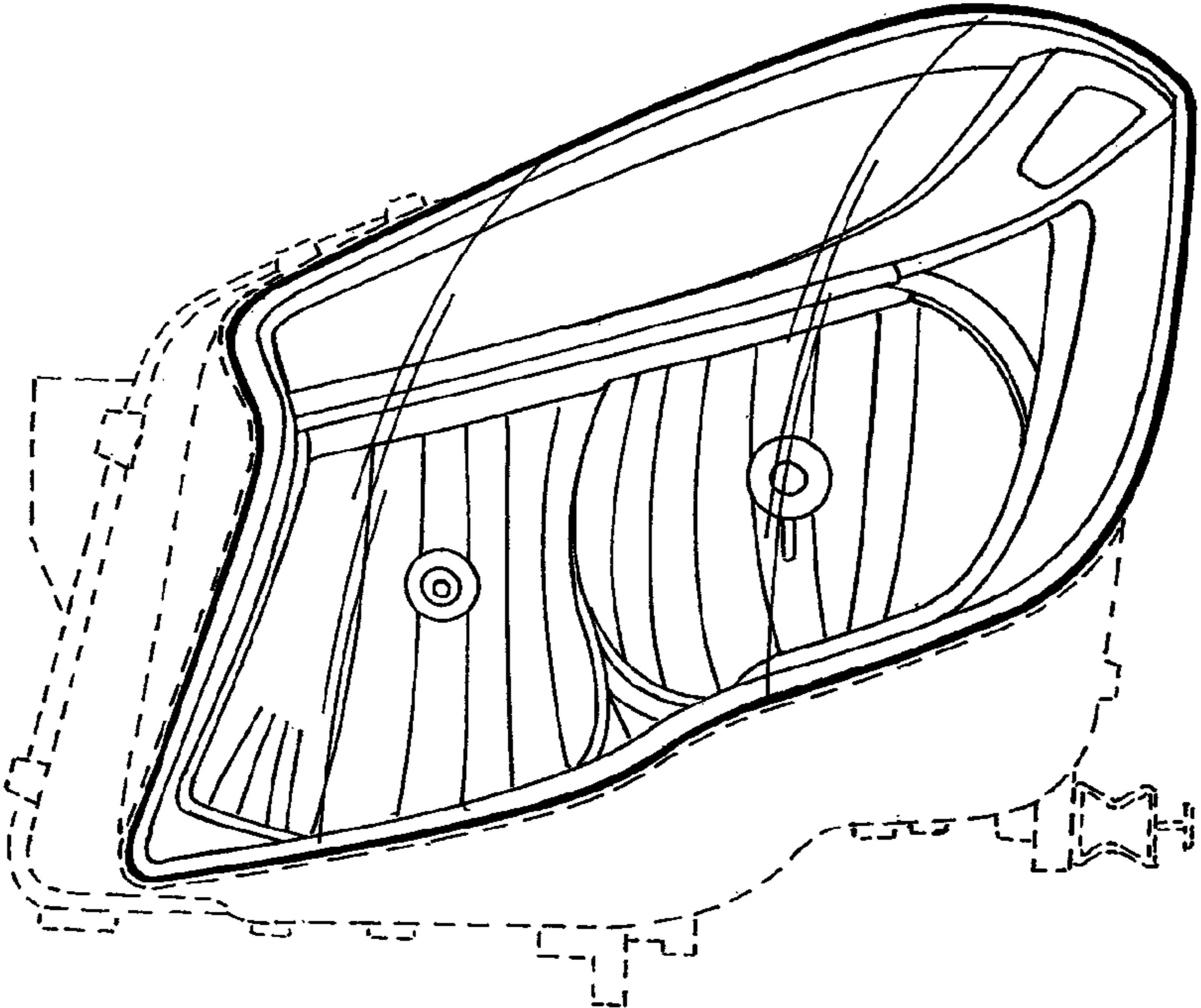
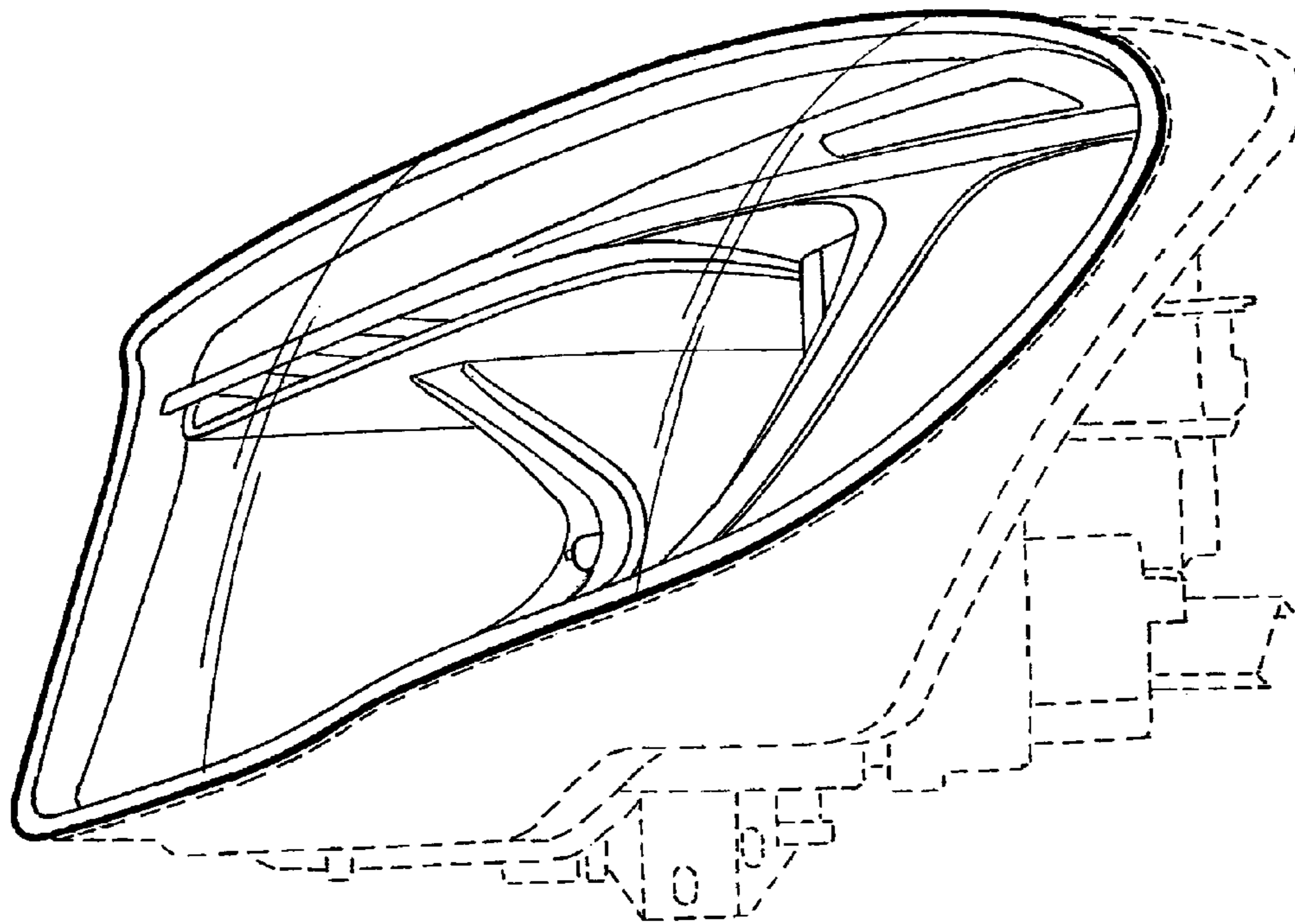
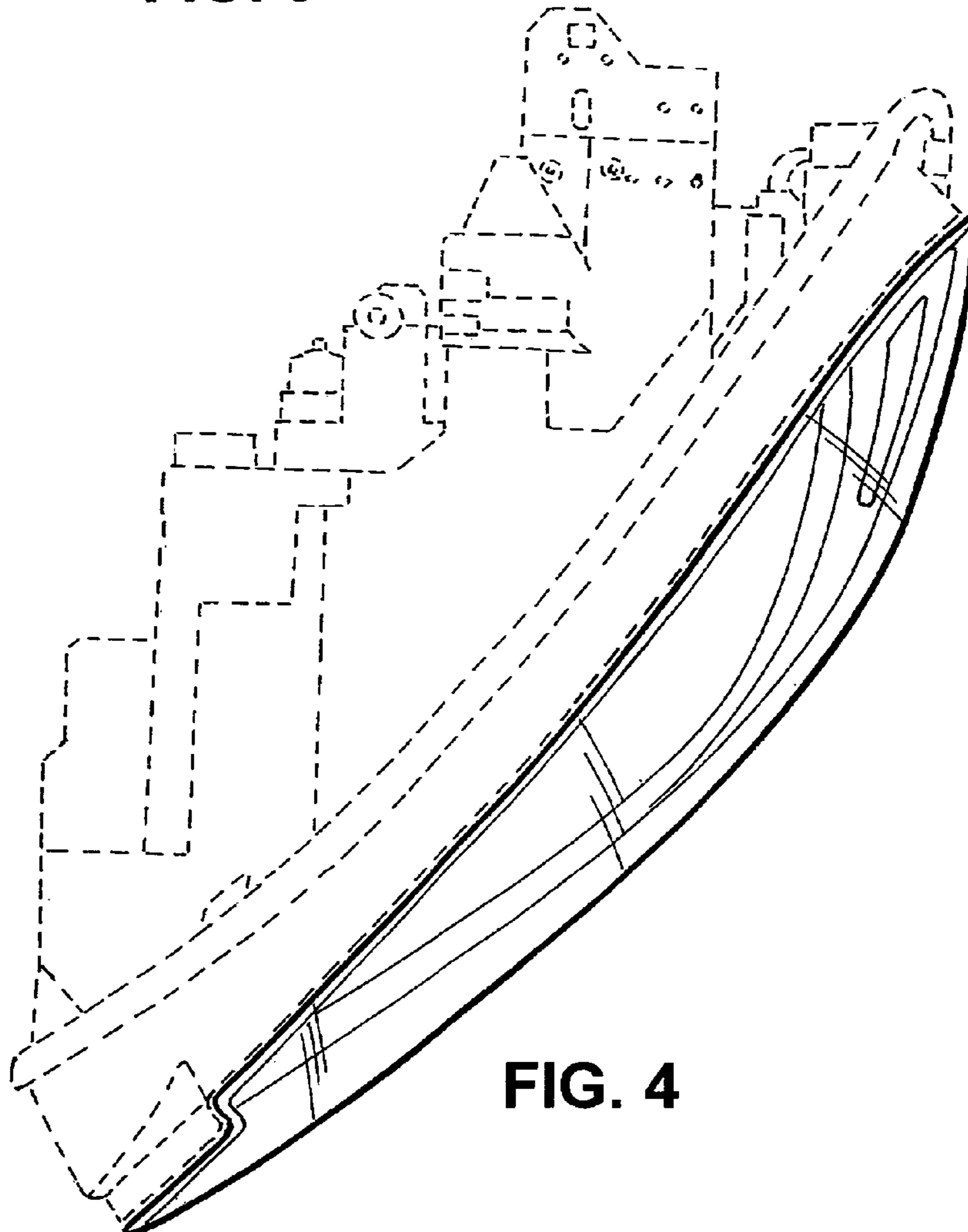


FIG. 2



**FIG. 3**



**FIG. 4**

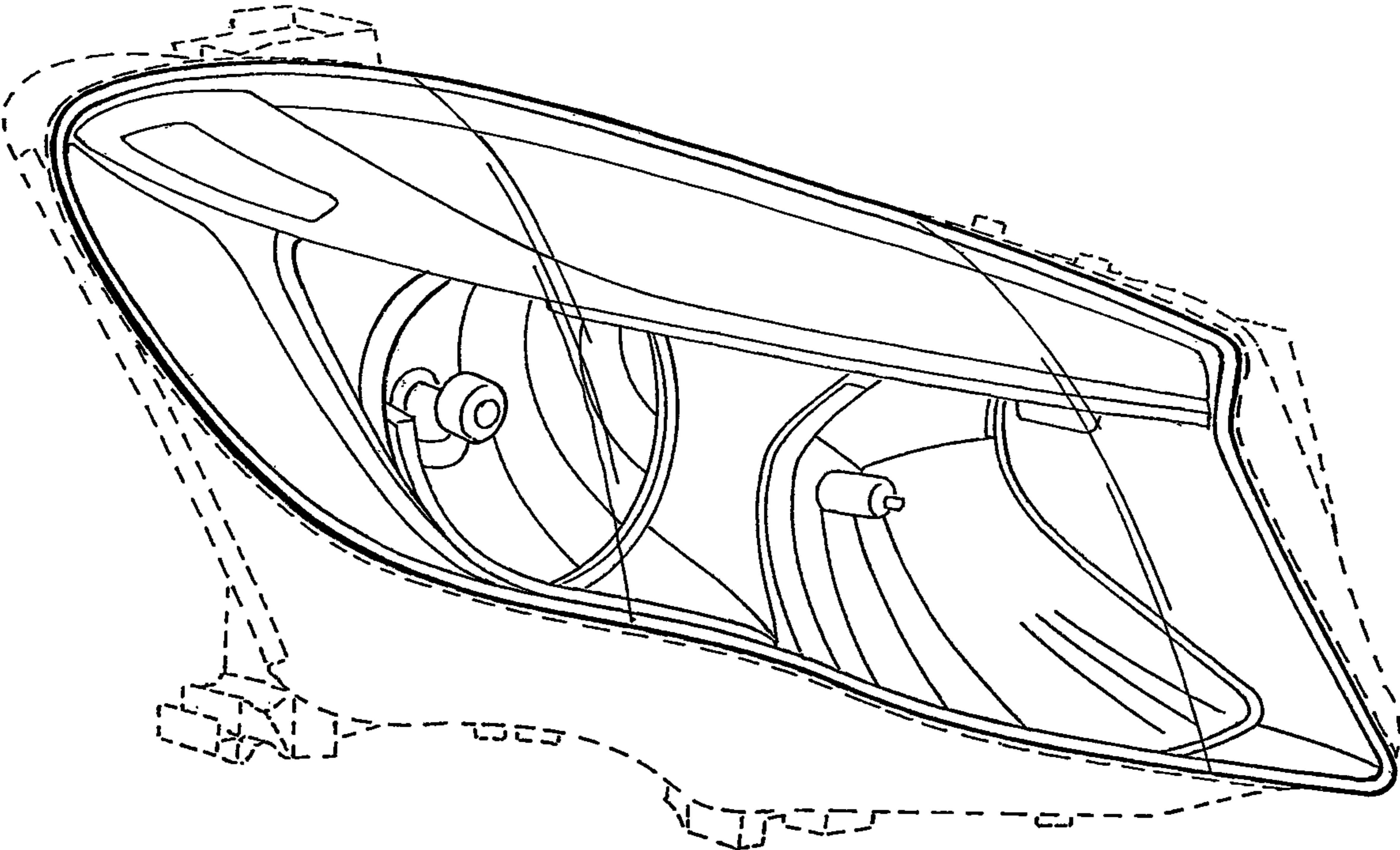


FIG. 5

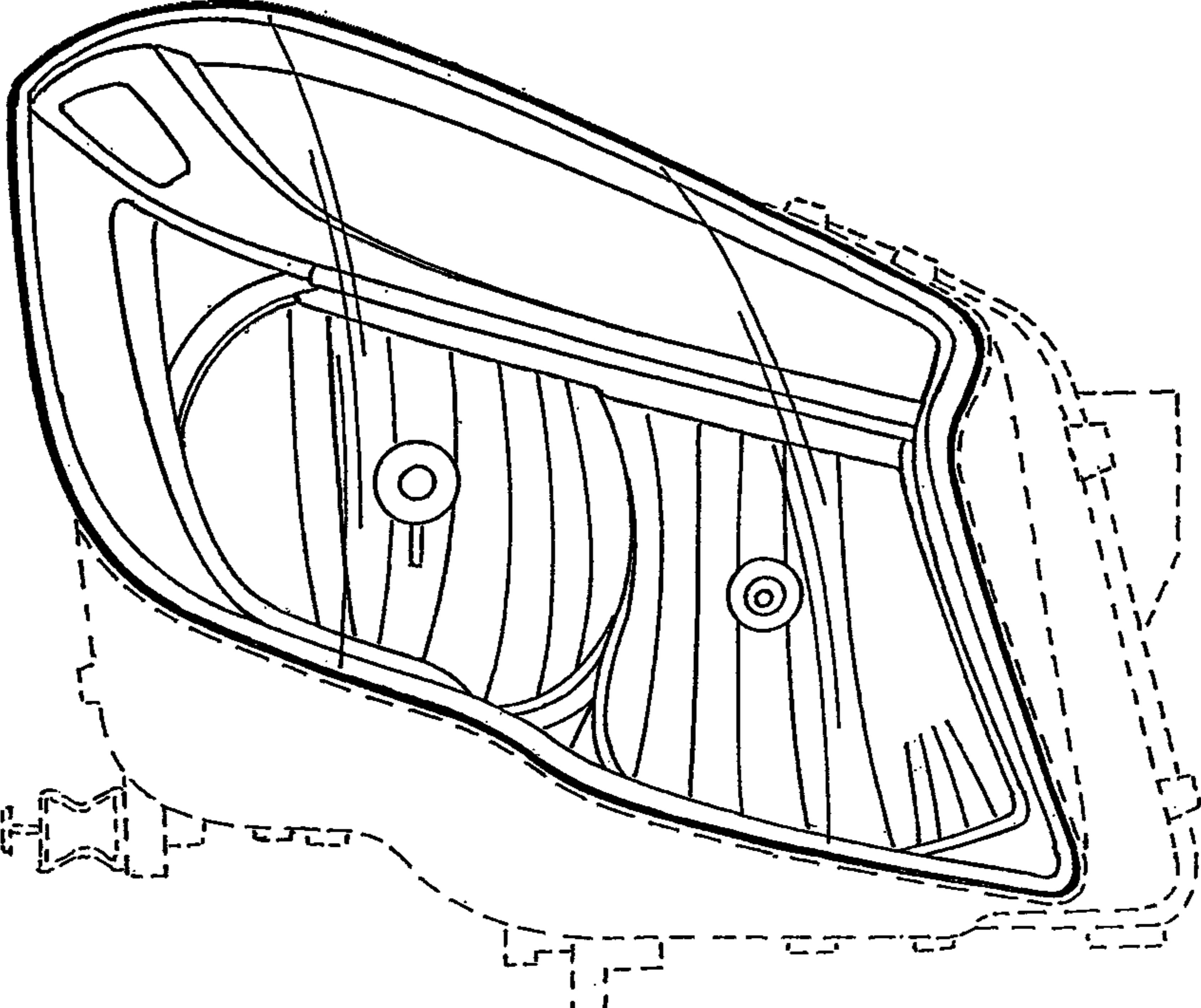


FIG. 6

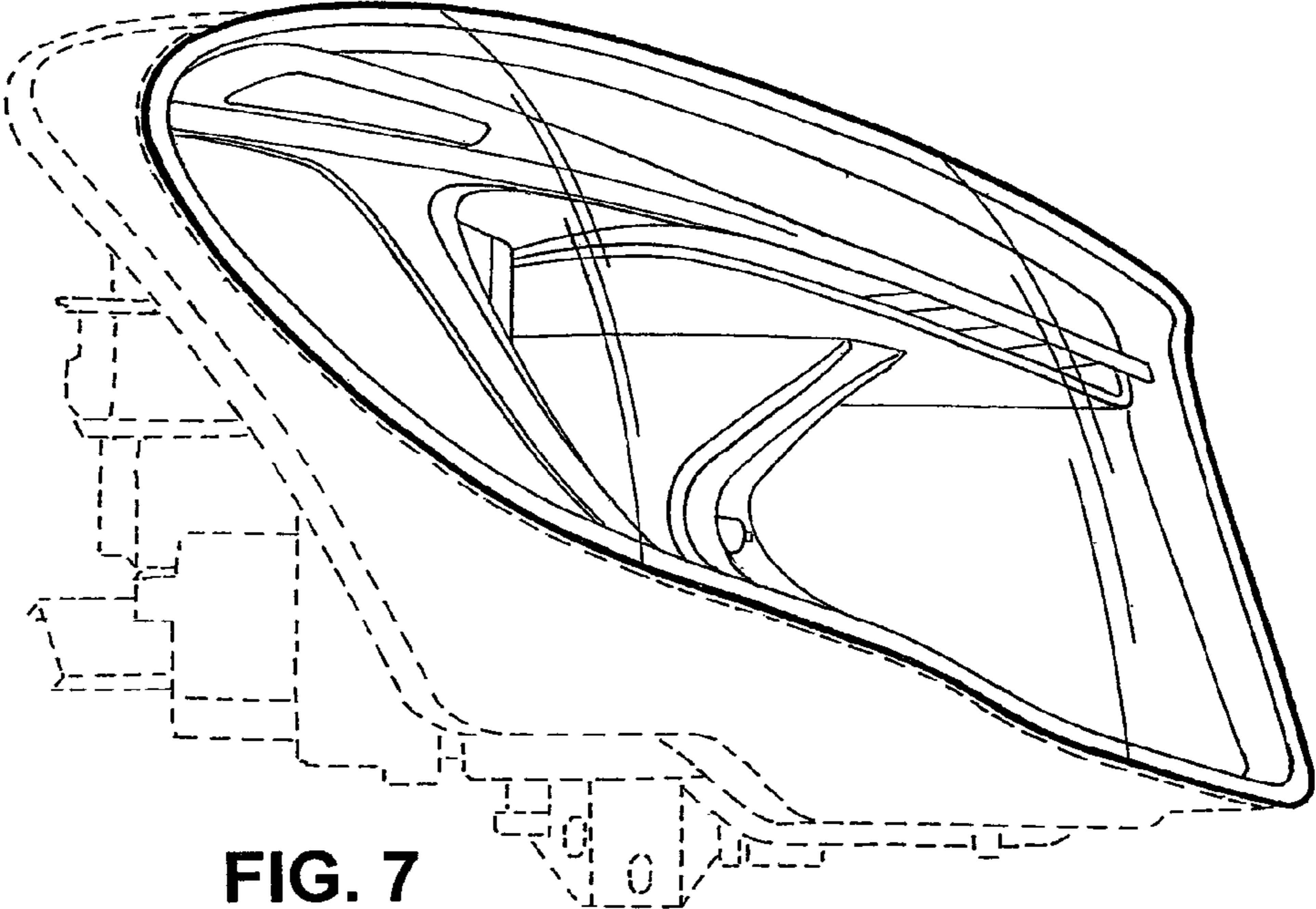


FIG. 7

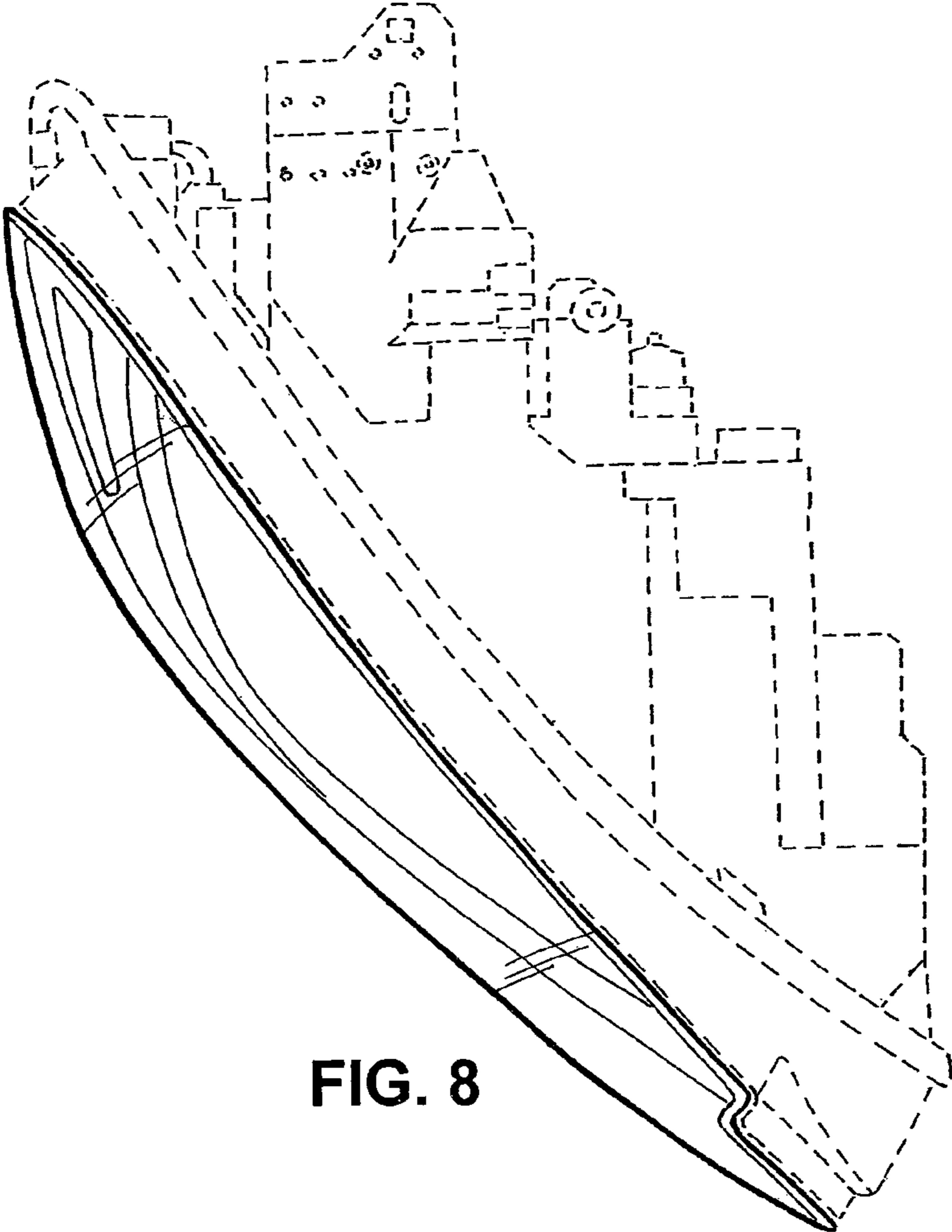


FIG. 8