



US00D728132S

(12) **United States Design Patent**
Bieling et al.

(10) **Patent No.:** **US D728,132 S**

(45) **Date of Patent:** **** Apr. 28, 2015**

(54) **TAILLIGHT FOR A VEHICLE**

D679,431 S 4/2013 Frenzel et al.
D679,432 S 4/2013 Frenzel et al.
D679,433 S 4/2013 Frenzel et al.

(71) Applicant: **Daimler AG**, Stuttgart (DE)

* cited by examiner

(72) Inventors: **Matthias Bieling**, Gaertringen (DE);
Hans-Dieter Futschik, Gechingen (DE);
Stefan Handt, Stuttgart (DE); **Frank Pfisterer**, Weil der Stadt (DE); **Gorden Wagener**, Gaeufelden (DE)

Primary Examiner — Marcus Jackson

(74) *Attorney, Agent, or Firm* — Crowell & Moring LLP

(73) Assignee: **Daimler AG**, Stuttgart (DE)

(57) **CLAIM**

The ornamental design for a taillight for a vehicle, as shown and described.

(**) Term: **14 Years**

DESCRIPTION

(21) Appl. No.: **29/455,772**

This application contains subject matter related to the following co-pending U.S. design patent applications:

(22) Filed: **May 24, 2013**

Application Ser. No. 29/455,771, filed herewith and entitled "Taillight for a Vehicle";

(30) **Foreign Application Priority Data**

Application Ser. No. 29/446,299, filed Feb. 22, 2013 and entitled "Vehicle, Toy, and/or Replicas Thereof;" and Application Ser. No. 29/446,302, filed Feb. 22, 2013 and entitled "Rear Portion of a Vehicle, Toy, and/or Replicas Thereof."

Nov. 28, 2012 (DE) 40 2012 005 357

(51) **LOC (10) Cl.** **26-06**

(52) **U.S. Cl.**
USPC **D26/28**

(58) **Field of Classification Search**
USPC D26/28-36; 362/459-468, 475-478,
362/485-487

See application file for complete search history.

FIG. 1 is a left perspective view of a first embodiment of a taillight for a vehicle according to the design;

FIG. 2 is a front view thereof.

FIG. 3 is a left side view thereof; and

FIG. 4 is a top view thereof.

FIG. 5 is a right perspective view of a second embodiment of the taillight for a vehicle thereof, with the taillight for a vehicle from the opposite side of the vehicle being depicted in the first embodiment;

FIG. 6 is a front view thereof.

FIG. 7 is a right side view thereof; and,

FIG. 8 is a top view thereof.

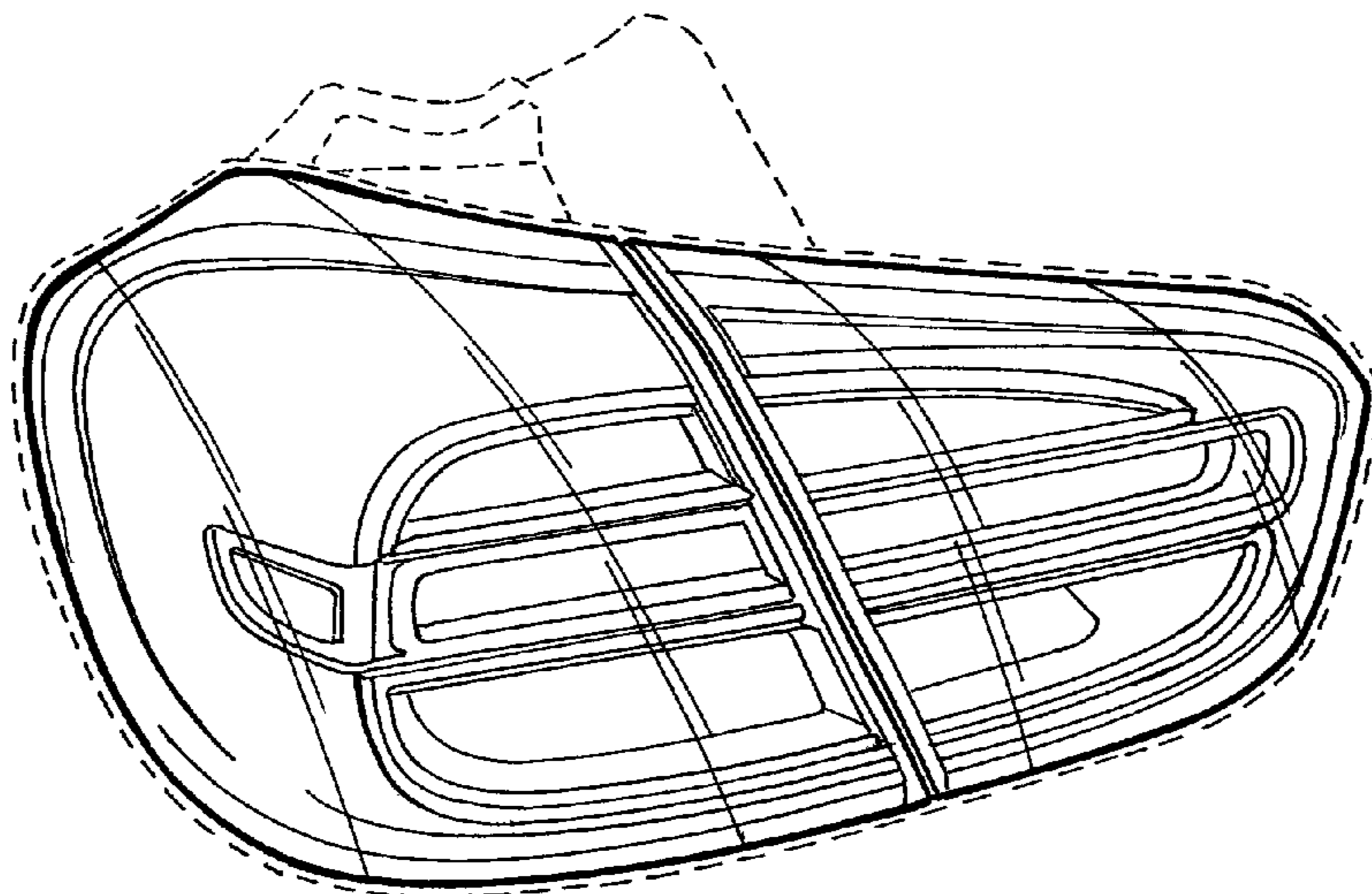
The broken lines are for illustrative purposes only and form no part of the claimed design. Also enclosed is a set of photographs of an embodiment of the design.

(56) **References Cited**

U.S. PATENT DOCUMENTS

D549,363 S * 8/2007 Pfeiffer D26/28
D552,769 S * 10/2007 Leclercq D26/28
D553,269 S * 10/2007 Pfeiffer et al. D26/28
D570,015 S * 5/2008 Hsu D26/28
D574,524 S * 8/2008 Tomatsu D26/28
D671,033 S 11/2012 Fetherston et al.
D671,045 S 11/2012 Fetherston et al.

1 Claim, 4 Drawing Sheets



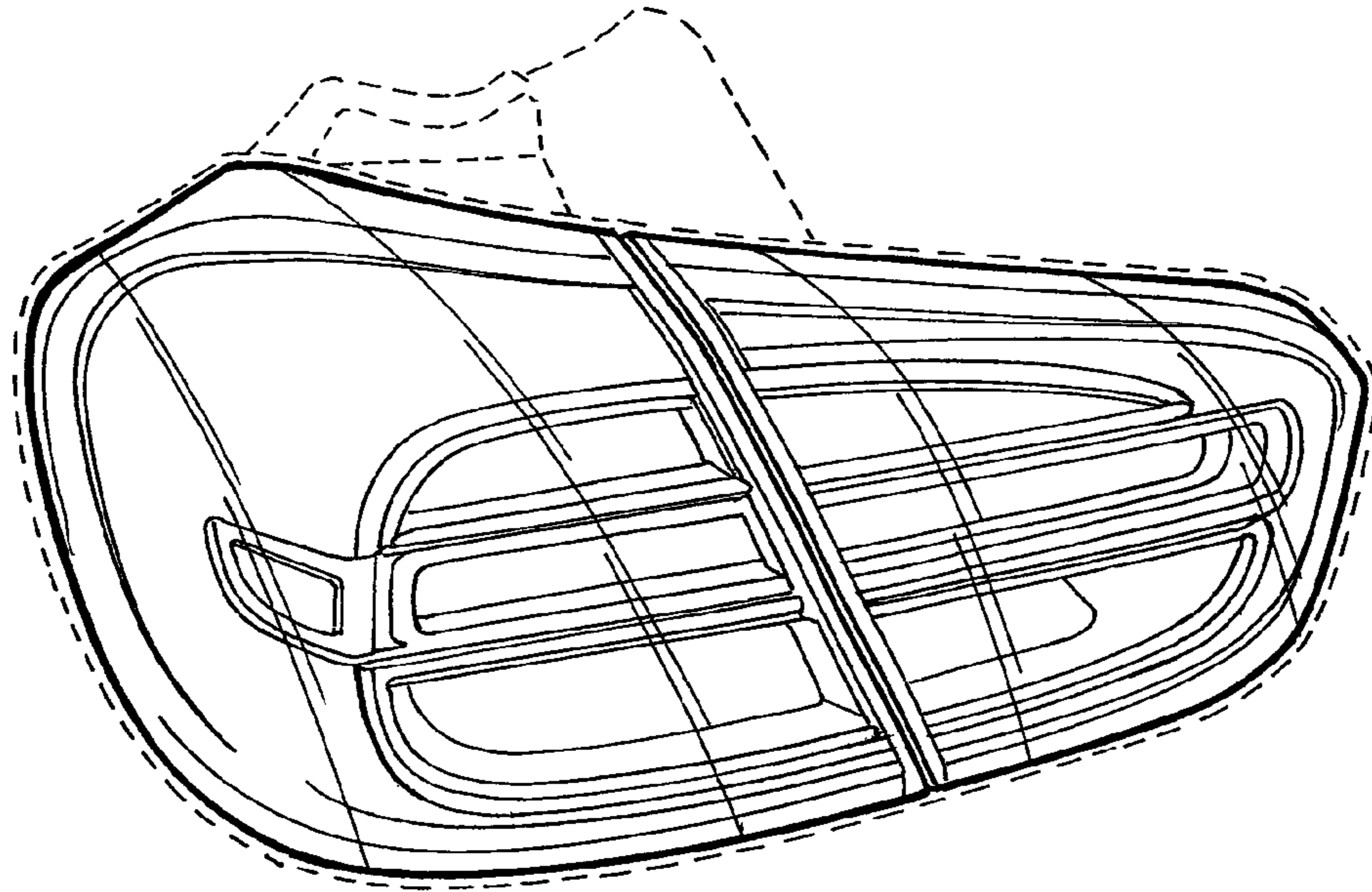


FIG. 1

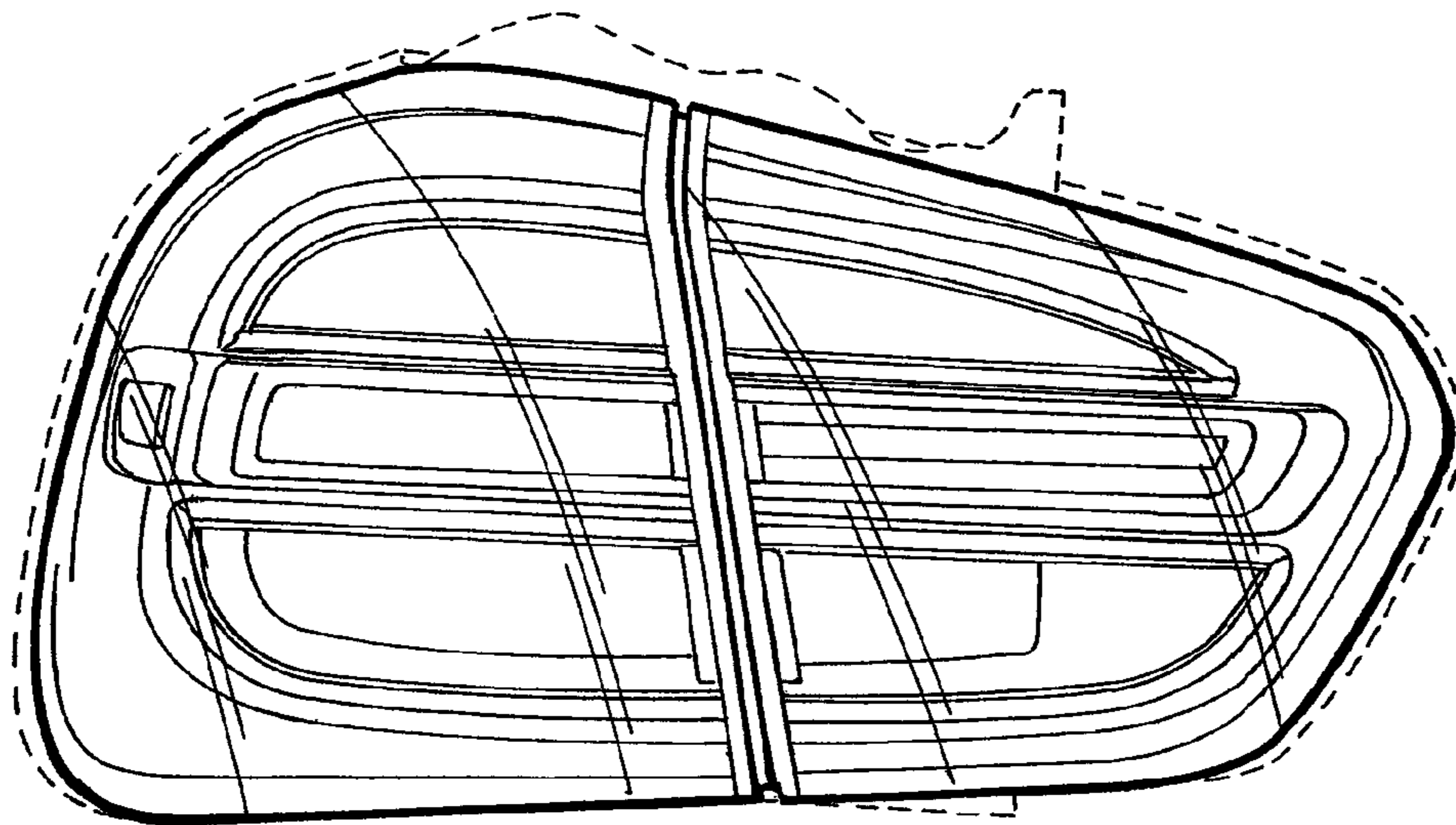


FIG. 2

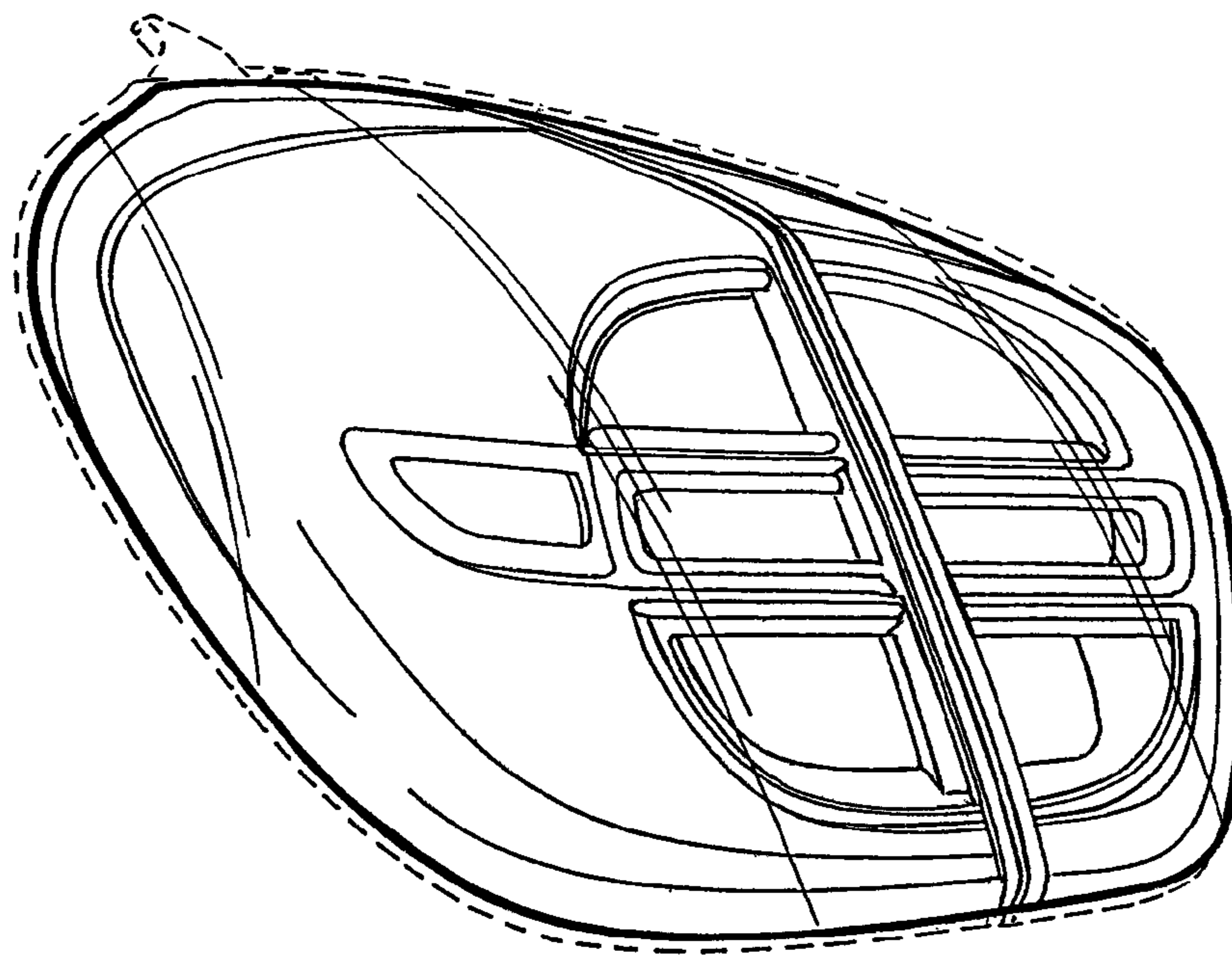


FIG. 3

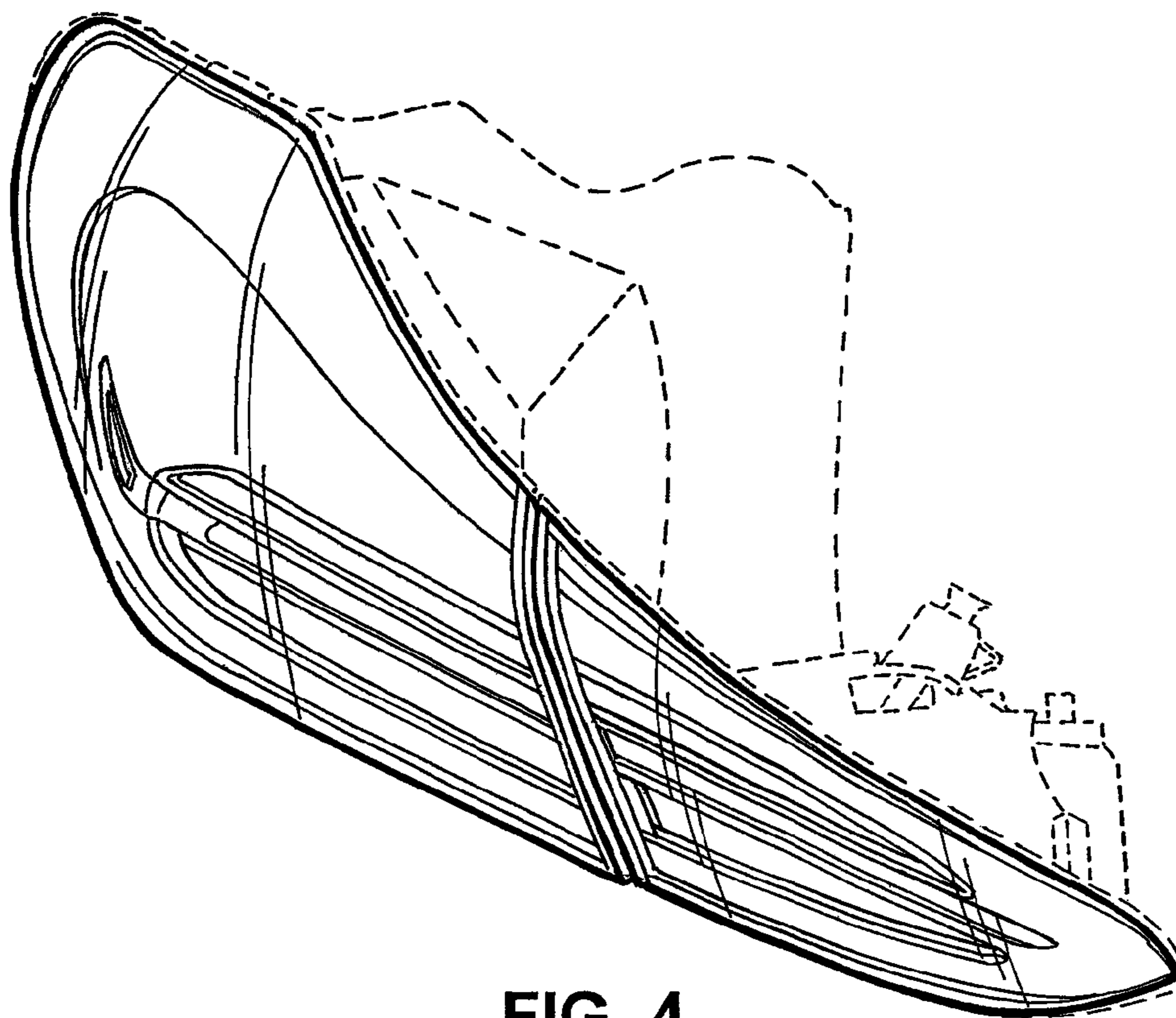


FIG. 4

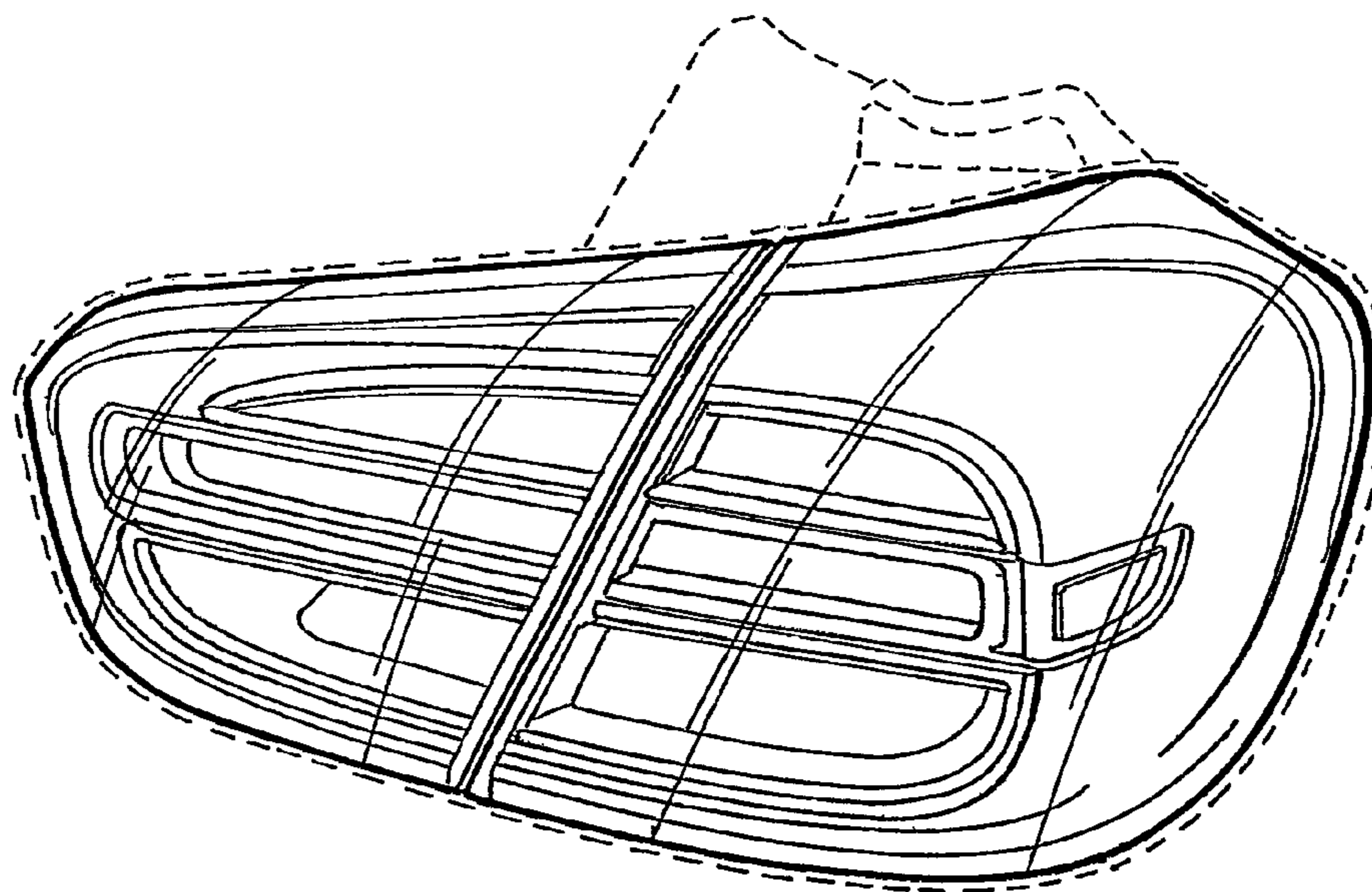


FIG. 5

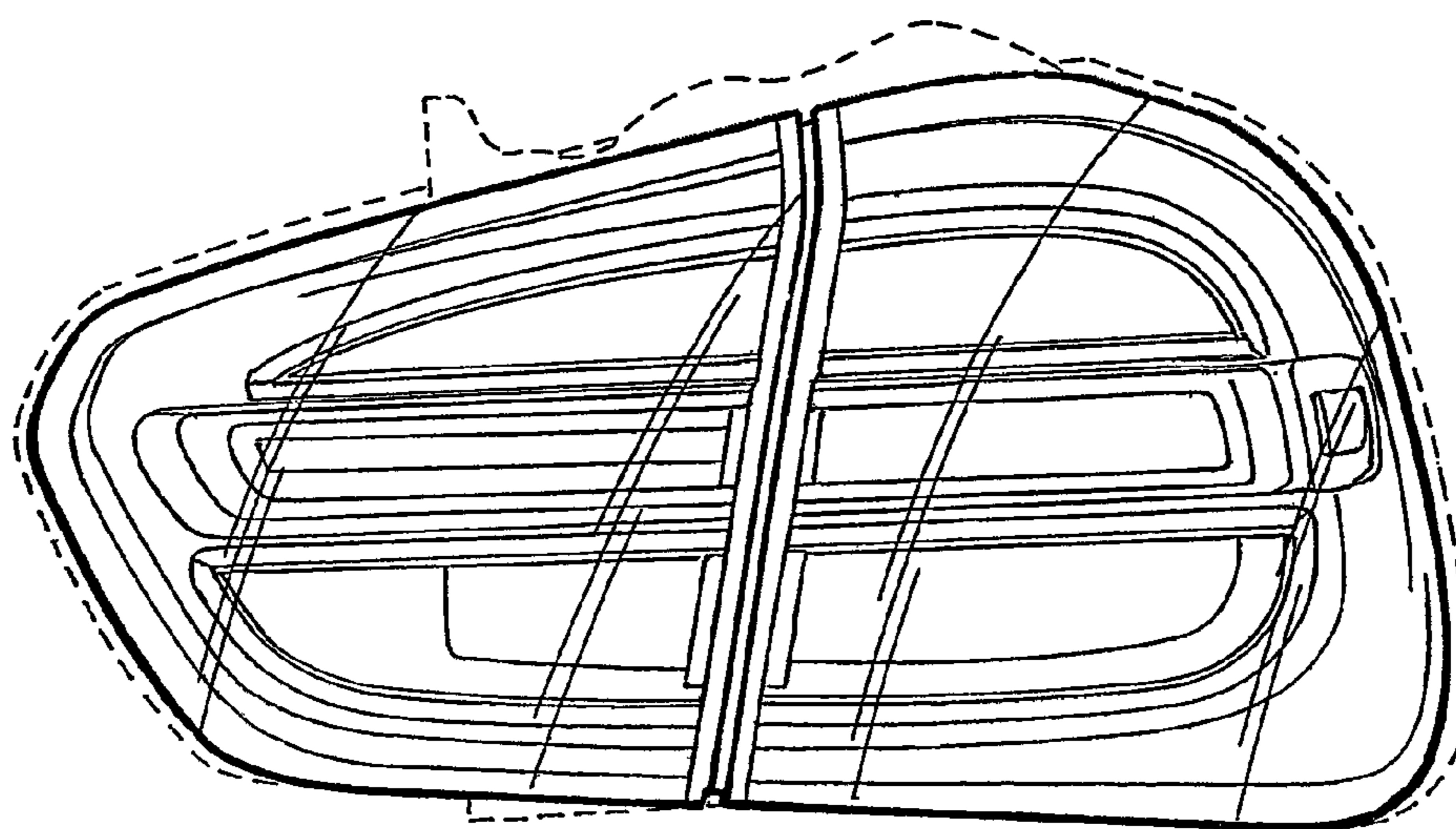


FIG. 6

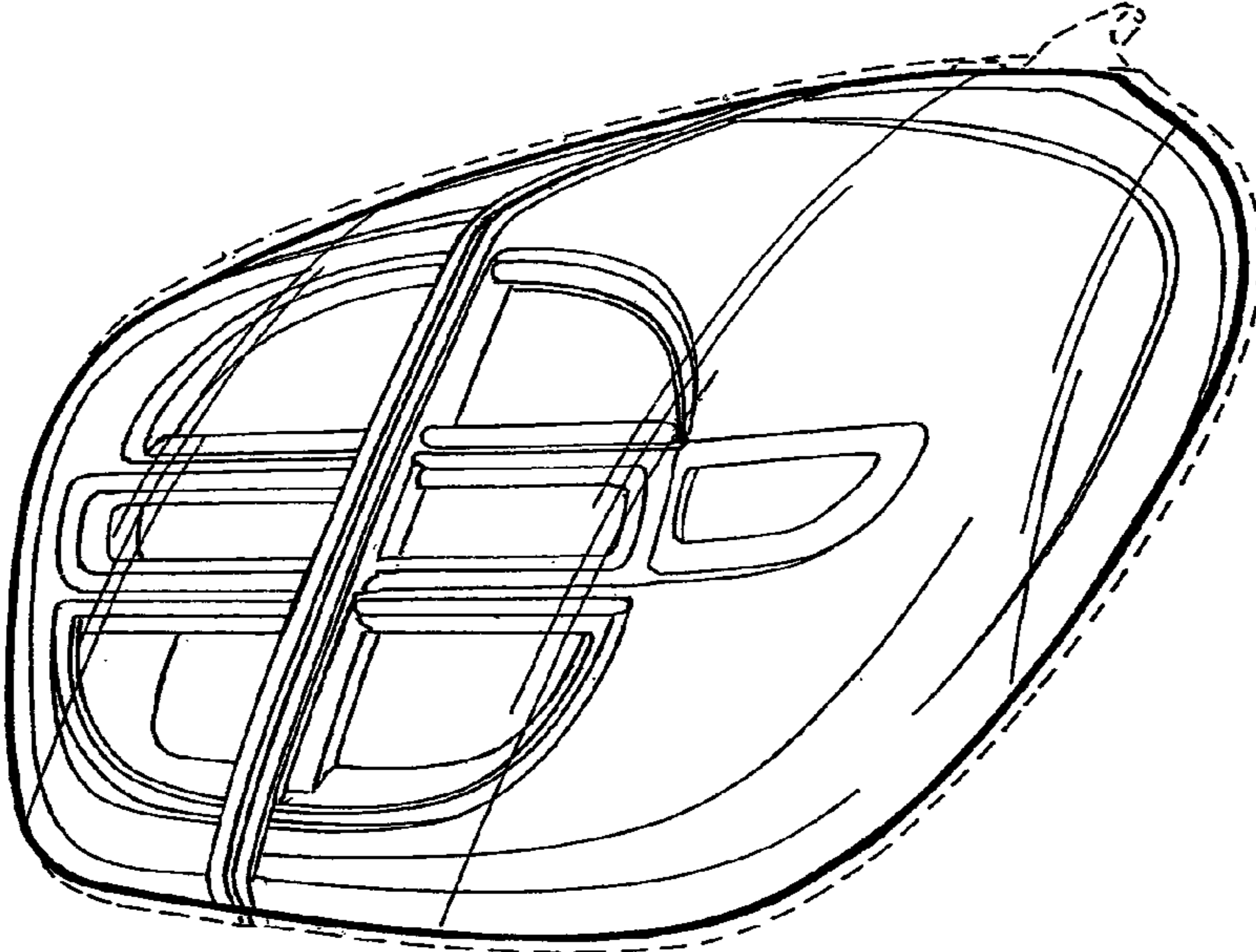


FIG. 7

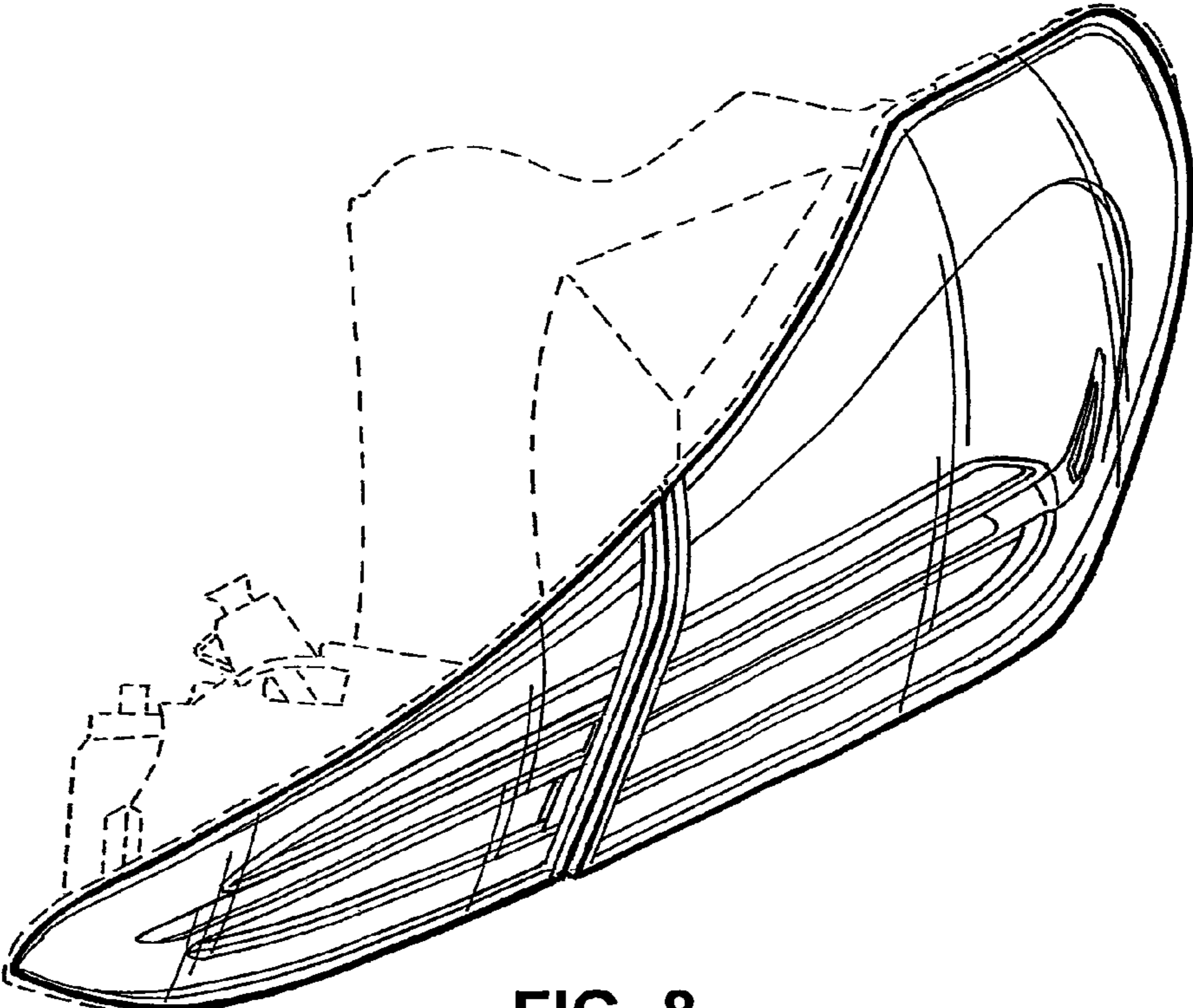


FIG. 8