



US00D728131S

(12) **United States Design Patent**
Hockemeyer

(10) **Patent No.:** **US D728,131 S**

(45) **Date of Patent:** **** Apr. 28, 2015**

(54) **LIGHT BULB**

(71) Applicant: **GT BiomeScilt Light Limited,**
Kowloon (HK)

(72) Inventor: **Martin Hockemeyer,** Kowloon (HK)

(73) Assignee: **GT BiomeScilt Light Limited,**
Kowloon (HK)

(**) Term: **14 Years**

(21) Appl. No.: **29/446,387**

(22) Filed: **Feb. 22, 2013**

(30) **Foreign Application Priority Data**

Aug. 31, 2012 (HK) 1201732.7M005

(51) **LOC (10) CL.** **26-04**

(52) **U.S. CL.**
USPC **D26/2**

(58) **Field of Classification Search**
USPC D26/1-4; 313/313, 315, 316, 317, 318,
313/493; 315/52, 53, 56, 57, 58
See application file for complete search history.

(56) **References Cited**

U.S. PATENT DOCUMENTS

D433,167 S *	10/2000	Yim	D26/2
D471,294 S *	3/2003	Bobel	D26/2
D487,939 S *	3/2004	Smith	D26/2
D494,688 S *	8/2004	Van de Ven et al.	D26/2
D499,820 S *	12/2004	Foo	D26/2

* cited by examiner

Primary Examiner — Marcus Jackson

(74) *Attorney, Agent, or Firm* — Seed IP Law Group PLLC

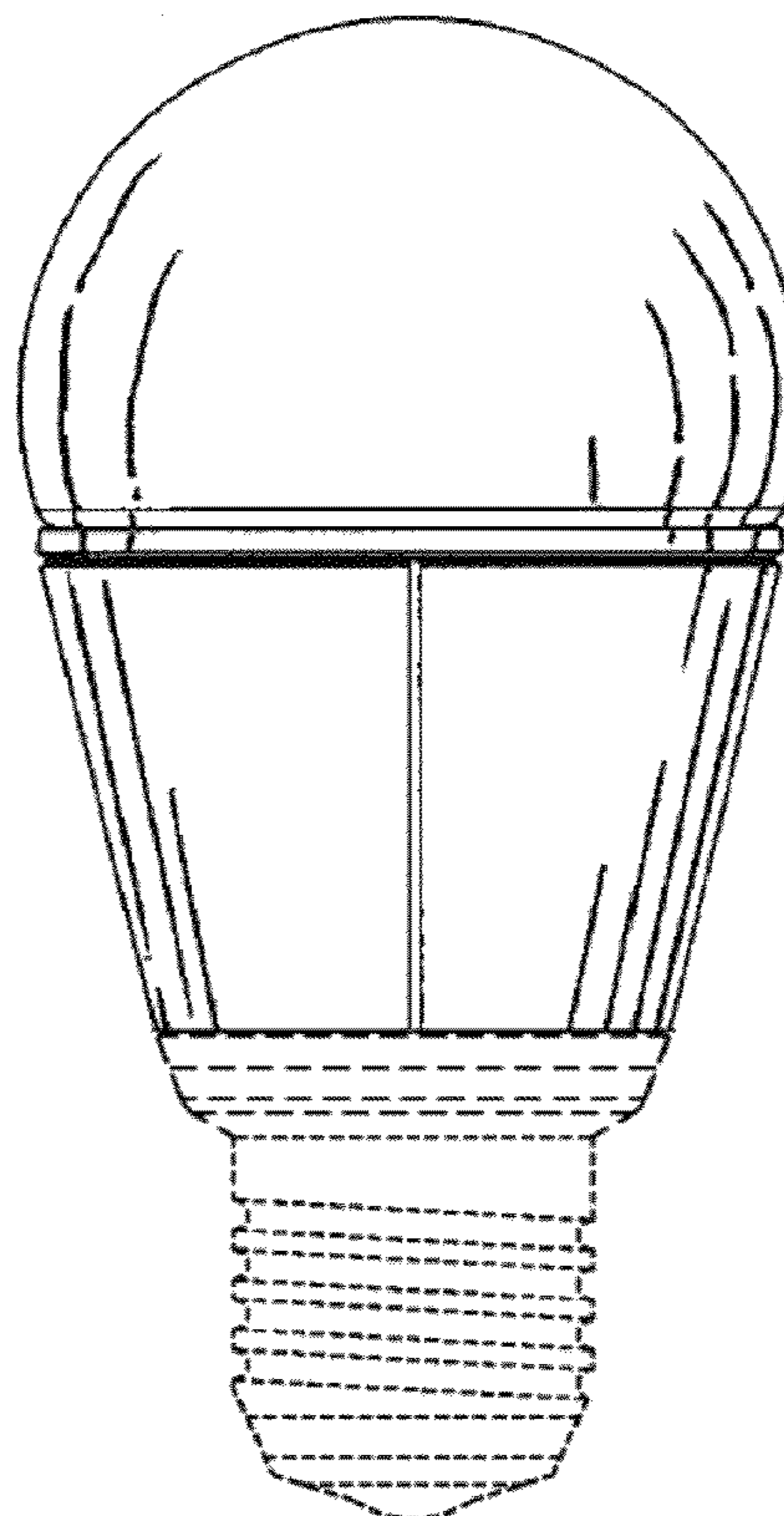
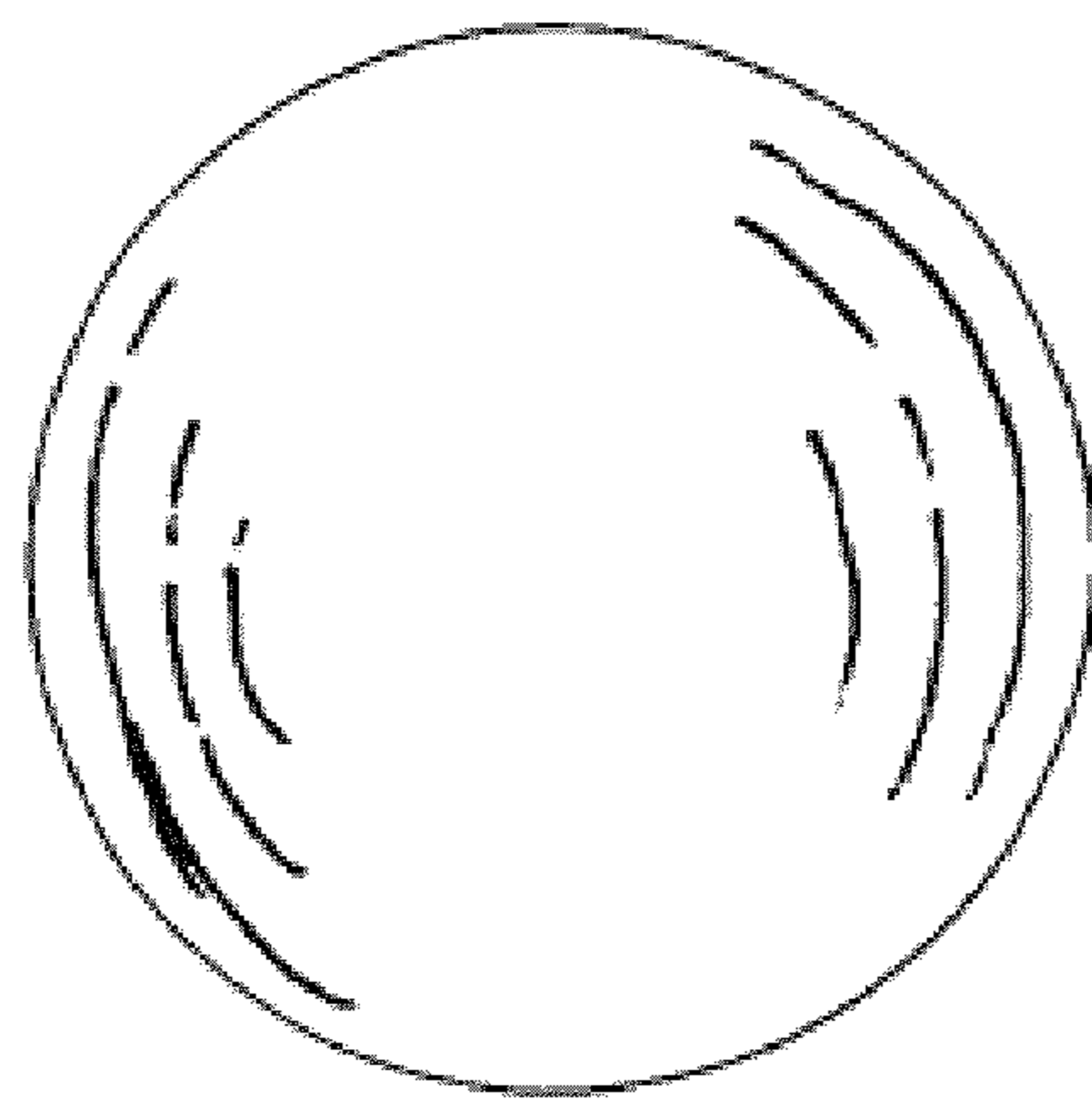
(57) **CLAIM**

The ornamental design for a light bulb, as shown and described.

DESCRIPTION

FIG. 1 is a top view of a light bulb showing my new design.
FIG. 2 is a first side view thereof.
FIG. 3 is a second side view thereof.
FIG. 4 is a third side view thereof.
FIG. 5 is a fourth side view thereof; and,
FIG. 6 is a bottom view thereof.
The broken lines in the figures are for illustrative purposes only and form no part of the claimed design.

1 Claim, 3 Drawing Sheets



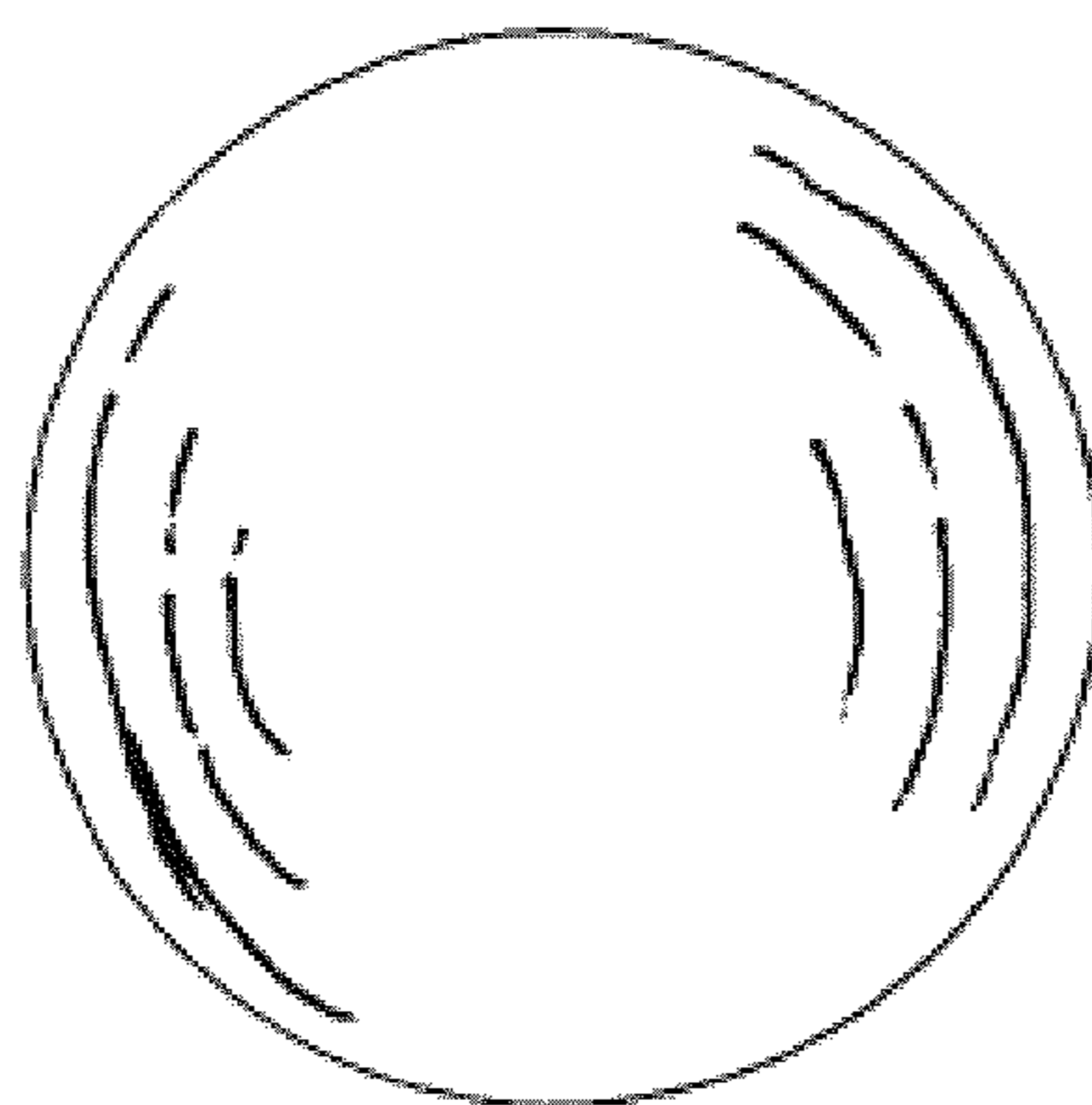


FIG. 1

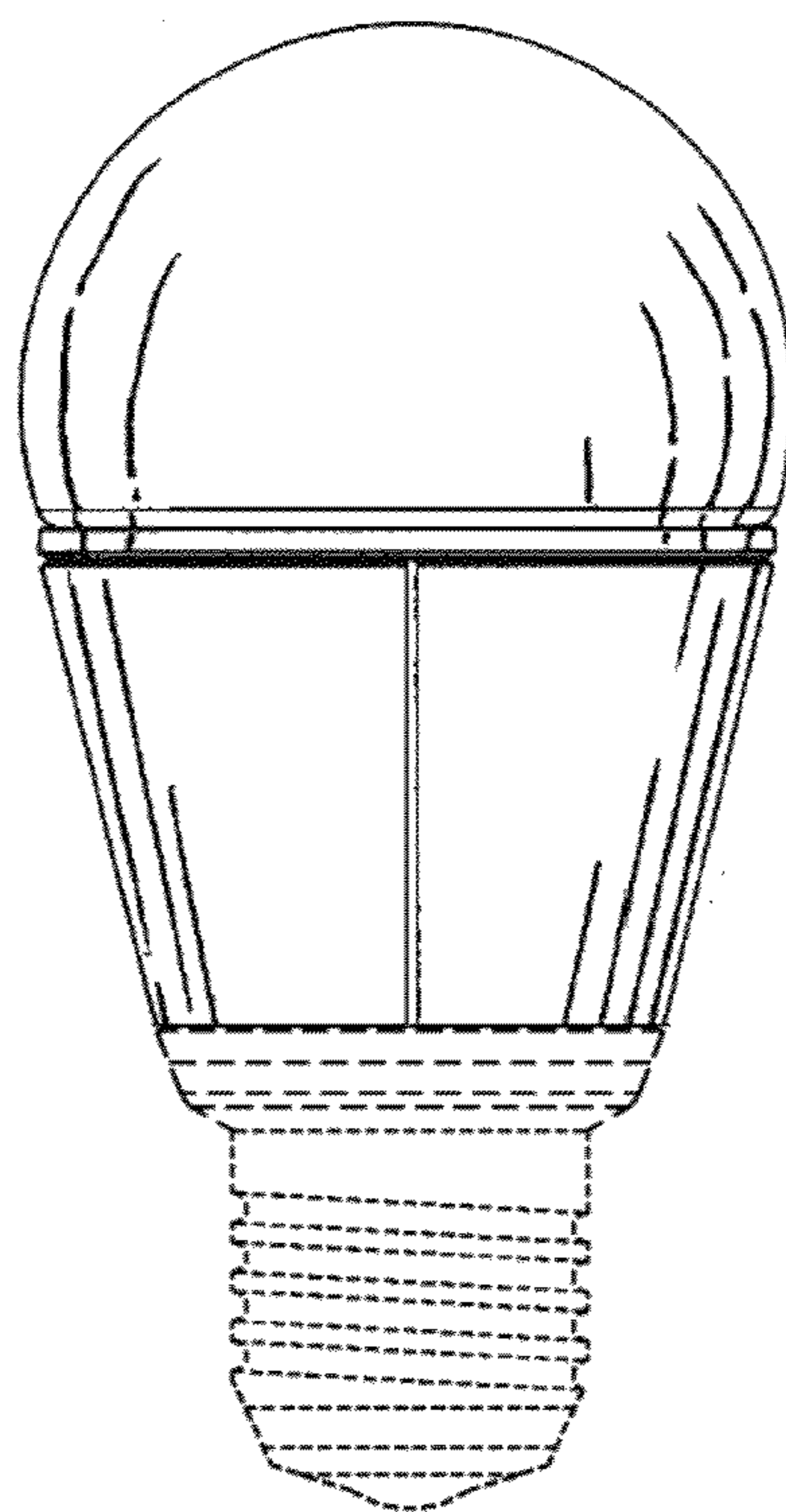


FIG. 2

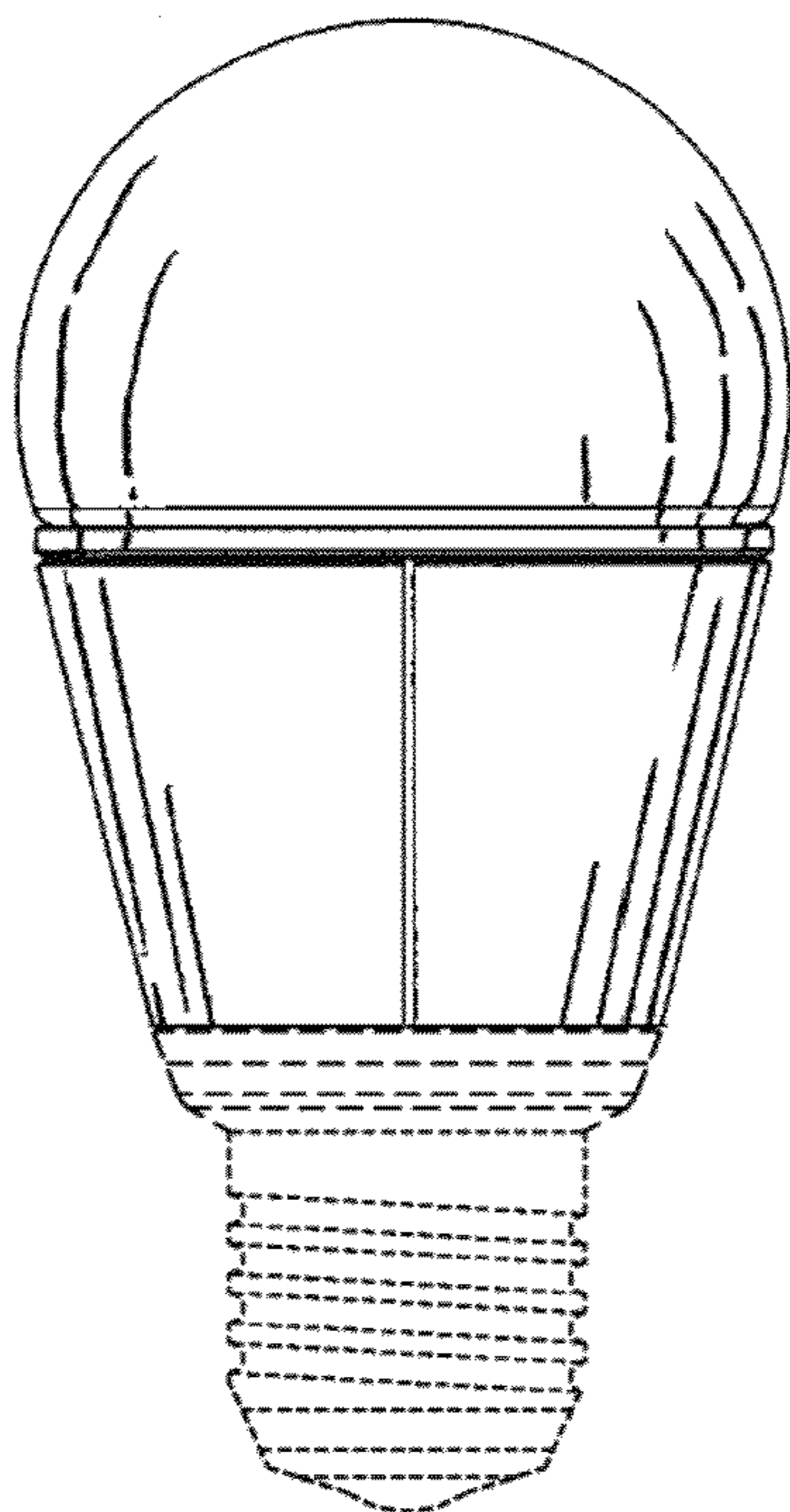


FIG. 3

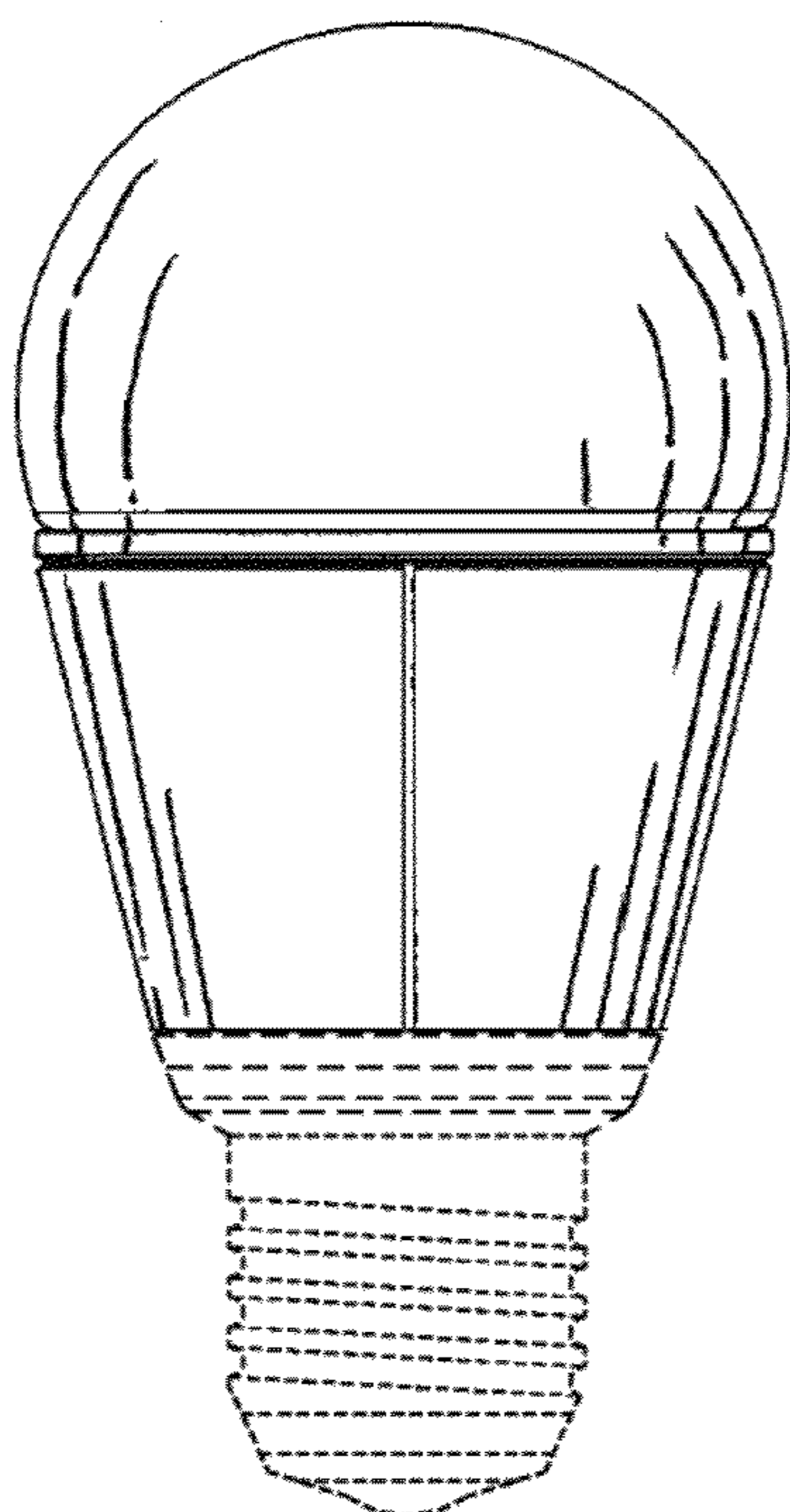


FIG. 4

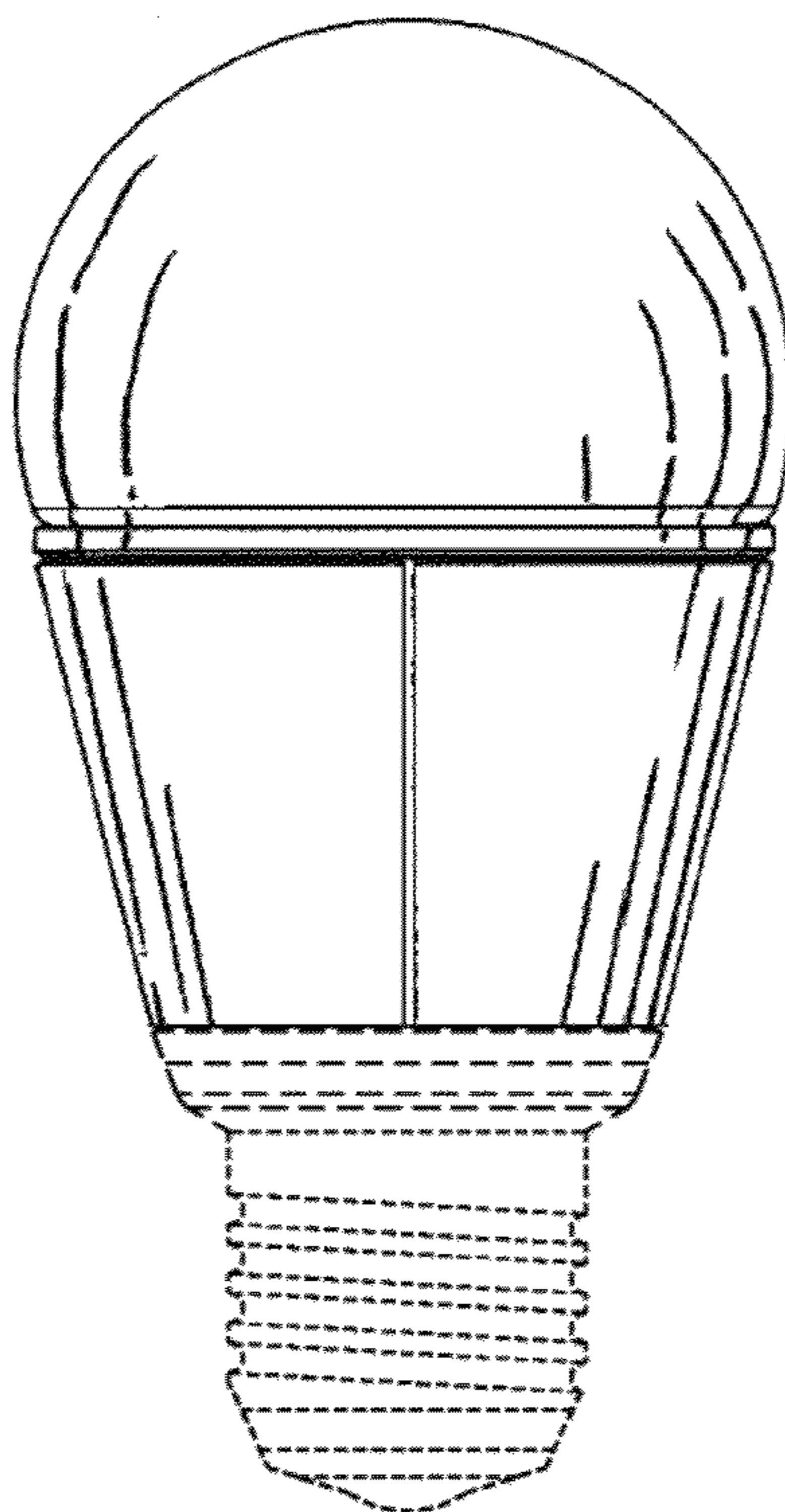


FIG. 5

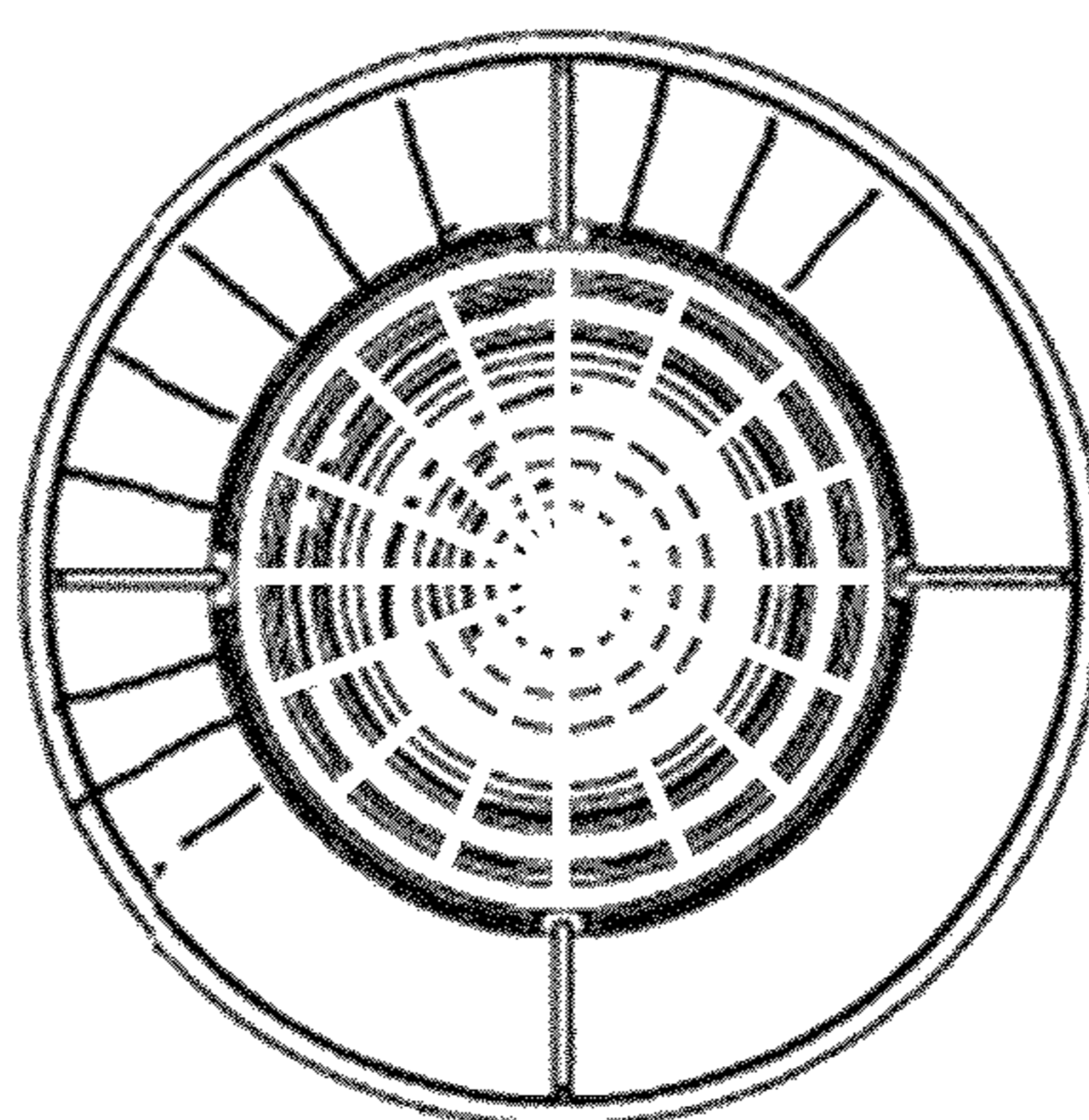


FIG. 6