



US00D728129S

(12) **United States Design Patent**  
**Kreuzbichler**

(10) **Patent No.:** **US D728,129 S**

(45) **Date of Patent:** **\*\* Apr. 28, 2015**

(54) **LED LIGHT**

(71) Applicant: **Tridonic GmbH & Co KG**, Dornbirn (AT)

(72) Inventor: **Jürgen Kreuzbichler**, Dornbirn (AT)

(73) Assignee: **Tridonic GmbH & Co KG**, Dornbirn (AT)

(\*\*) Term: **14 Years**

(21) Appl. No.: **29/455,529**

(22) Filed: **May 21, 2013**

(51) **LOC (10) Cl.** ..... **26-04**

(52) **U.S. Cl.**  
USPC ..... **D26/1**

(58) **Field of Classification Search**  
USPC ..... D26/1-4; 313/313, 315, 316, 317, 318,  
313/493; 315/52, 53, 56, 57, 58  
See application file for complete search history.

(56) **References Cited**

**U.S. PATENT DOCUMENTS**

D508,291 S *	8/2005	Janssen	.....	D26/1
D548,857 S *	8/2007	Egawa	.....	D26/1
D600,836 S *	9/2009	Hanley et al.	.....	D26/1
D625,847 S *	10/2010	Maglica	.....	D26/1
D626,255 S *	10/2010	Hiratsuka	.....	D26/1

\* cited by examiner

*Primary Examiner* — Marcus Jackson

(74) *Attorney, Agent, or Firm* — Volpe and Koenig, P.C.

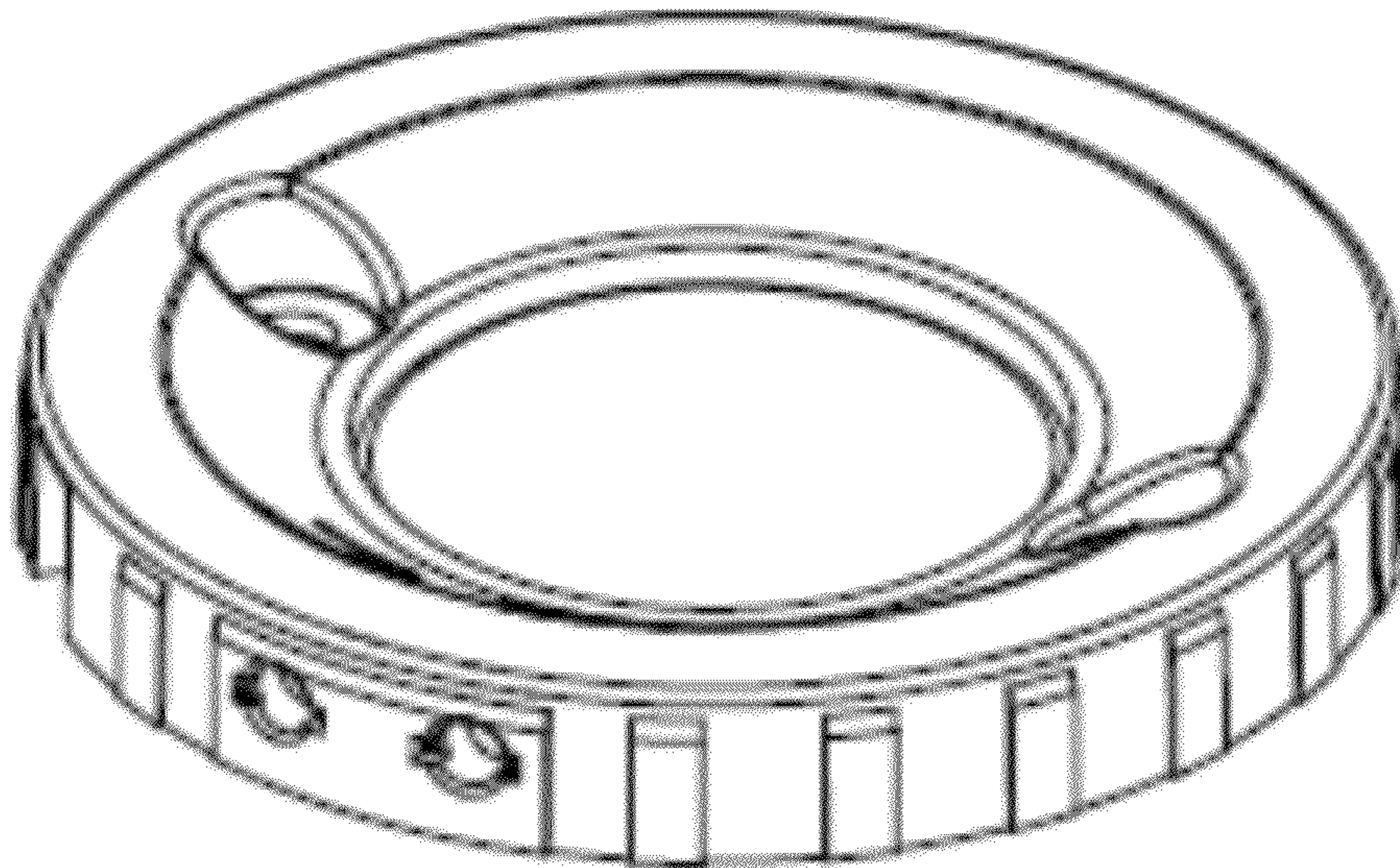
(57) **CLAIM**

The ornamental design for LED light, as shown and described.

**DESCRIPTION**

FIG. 1 is a perspective view of an LED light according to my design;  
 FIG. 2 is a top plan view thereof;  
 FIG. 3 is a bottom view thereof;  
 FIG. 4 is a left side elevational view thereof;  
 FIG. 5 is a right side elevational view thereof;  
 FIG. 6 is a front elevational view thereof;  
 FIG. 7 is a rear elevational view thereof;  
 FIG. 8 is a perspective view of a second embodiment of an LED light according to my design  
 FIG. 9 is a top plan view of the LED light of FIG. 8;  
 FIG. 10 is a bottom view of the LED light of FIG. 8;  
 FIG. 11 is a left side elevational view of the LED light of FIG. 8;  
 FIG. 12 is a right side elevational view of the LED light of FIG. 8;  
 FIG. 13 is a front elevational view of the LED light of FIG. 8;  
 and,  
 FIG. 14 is a rear elevational view of the LED light of FIG. 8.

**1 Claim, 6 Drawing Sheets**



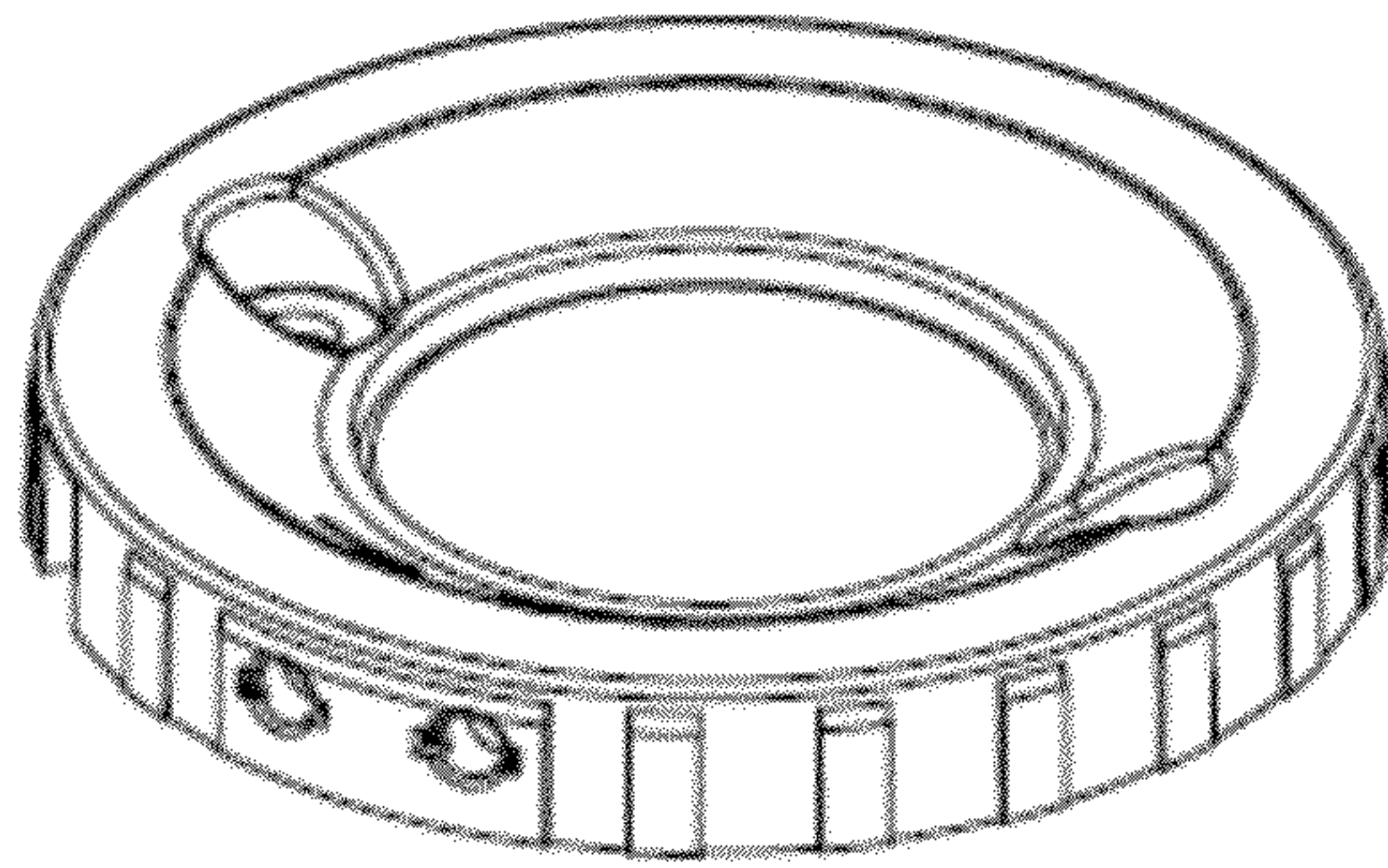


FIG. 1

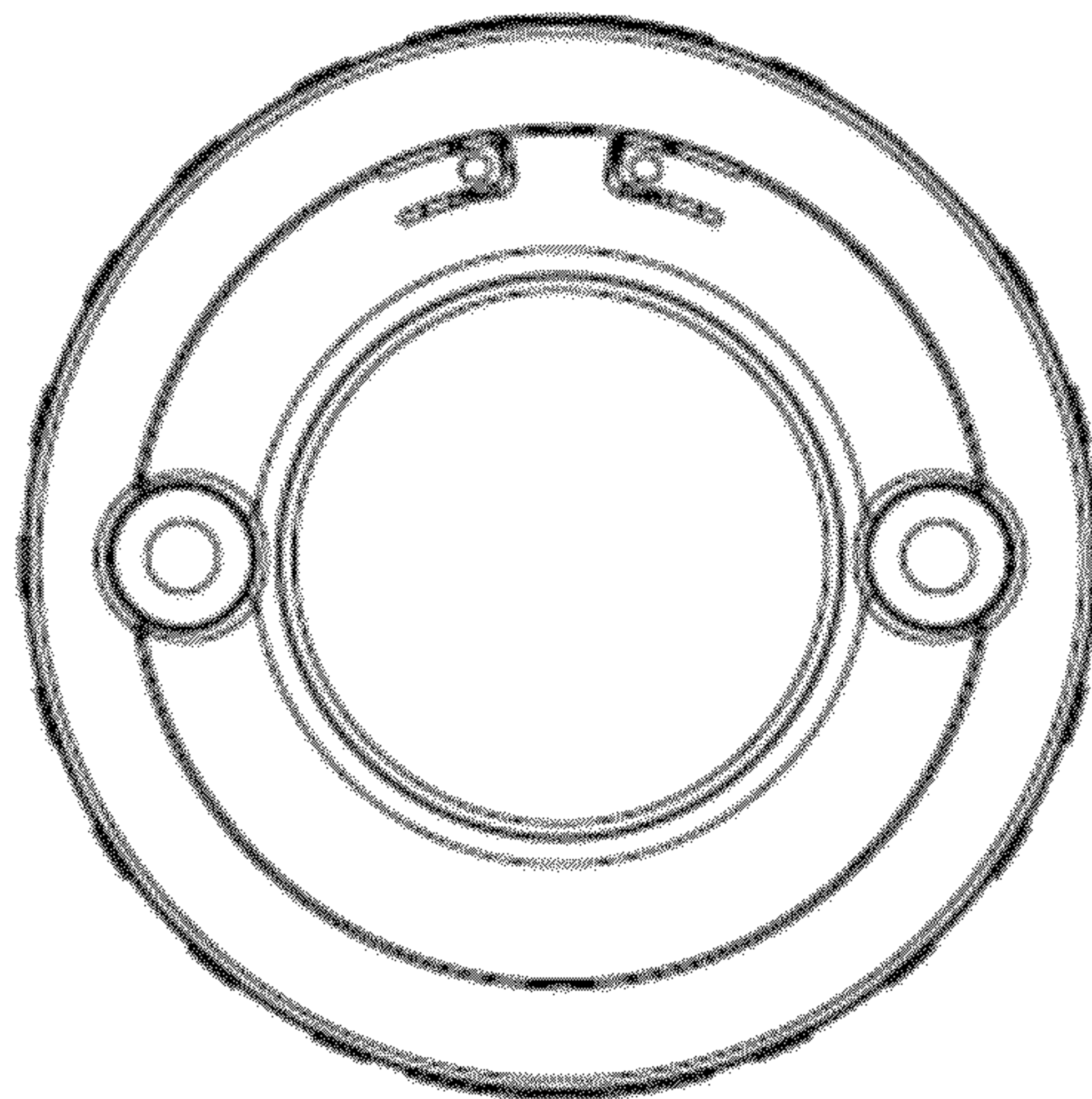


FIG. 2



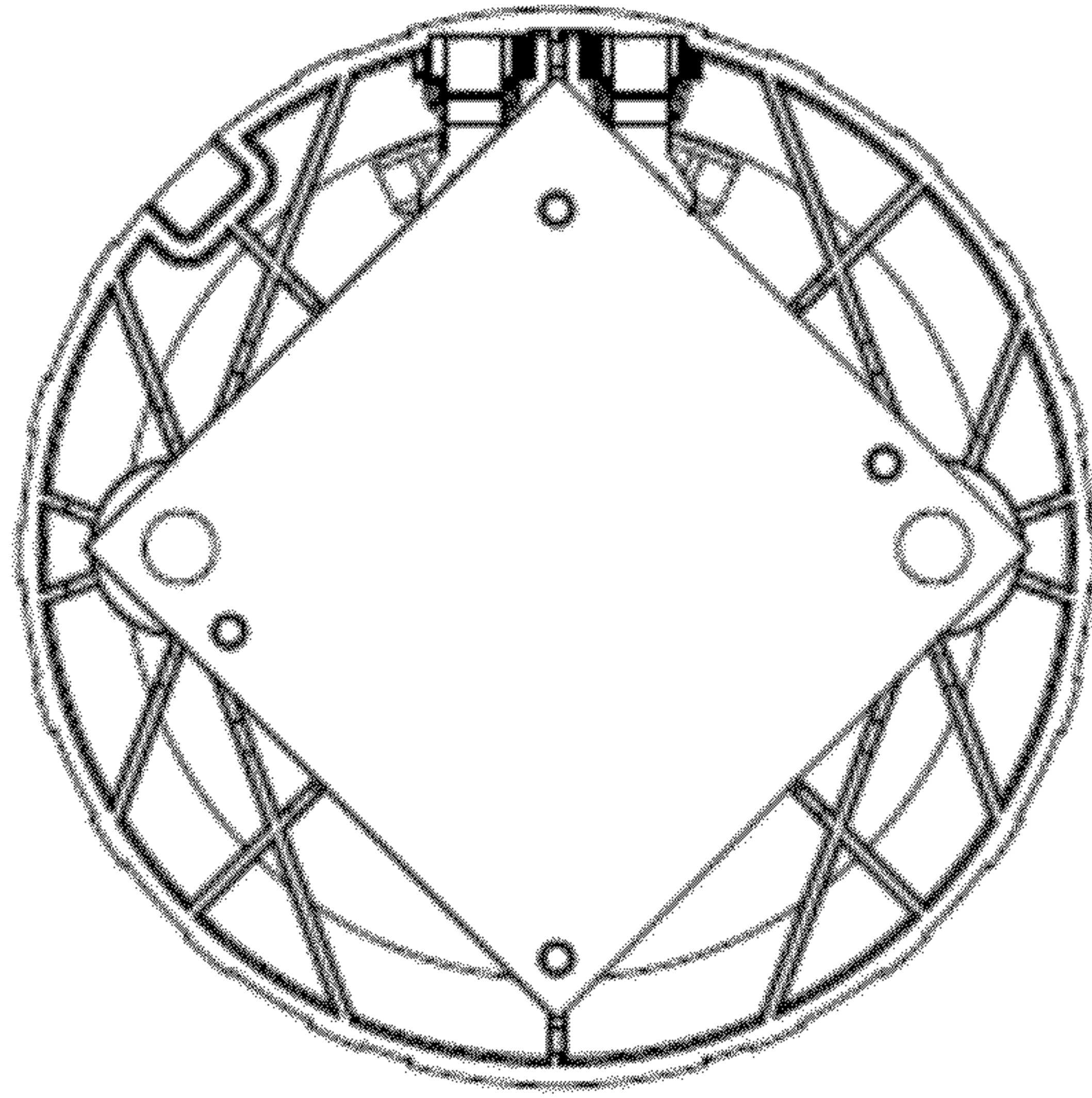


FIG. 3

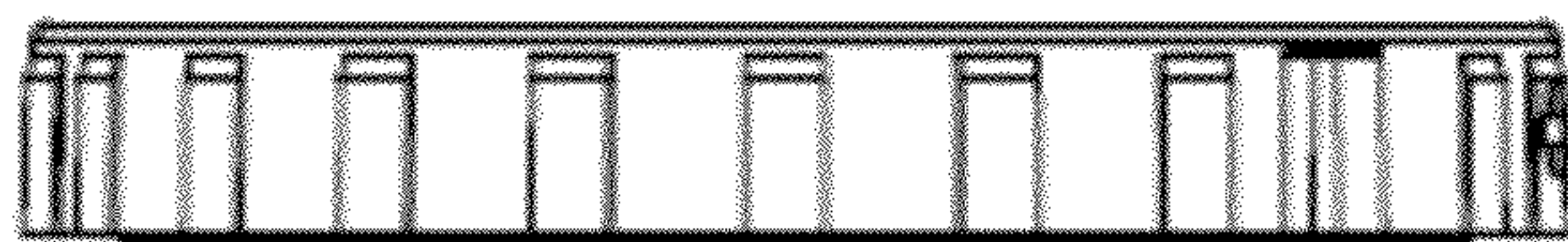


FIG. 4

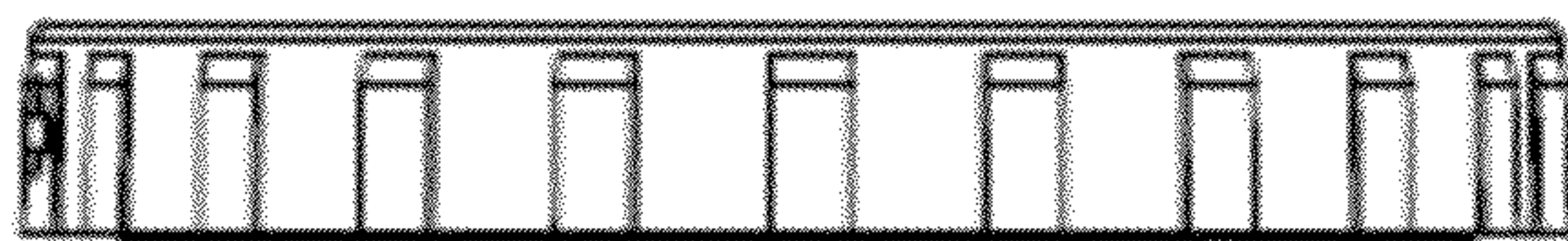


FIG. 5

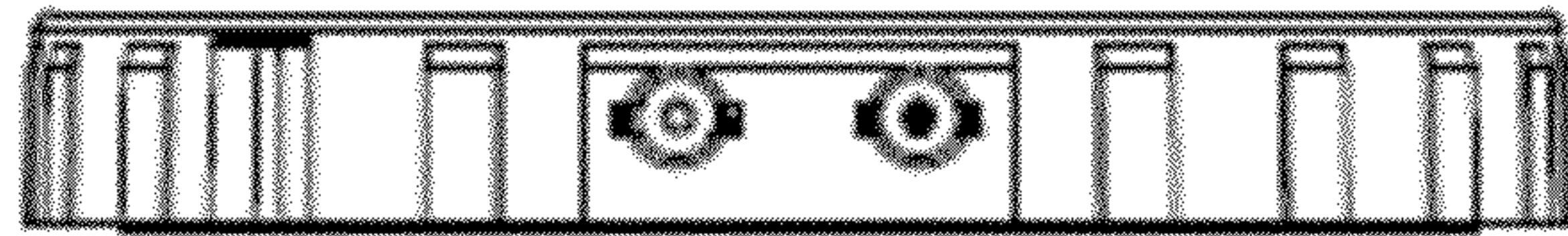


FIG. 6



FIG. 7

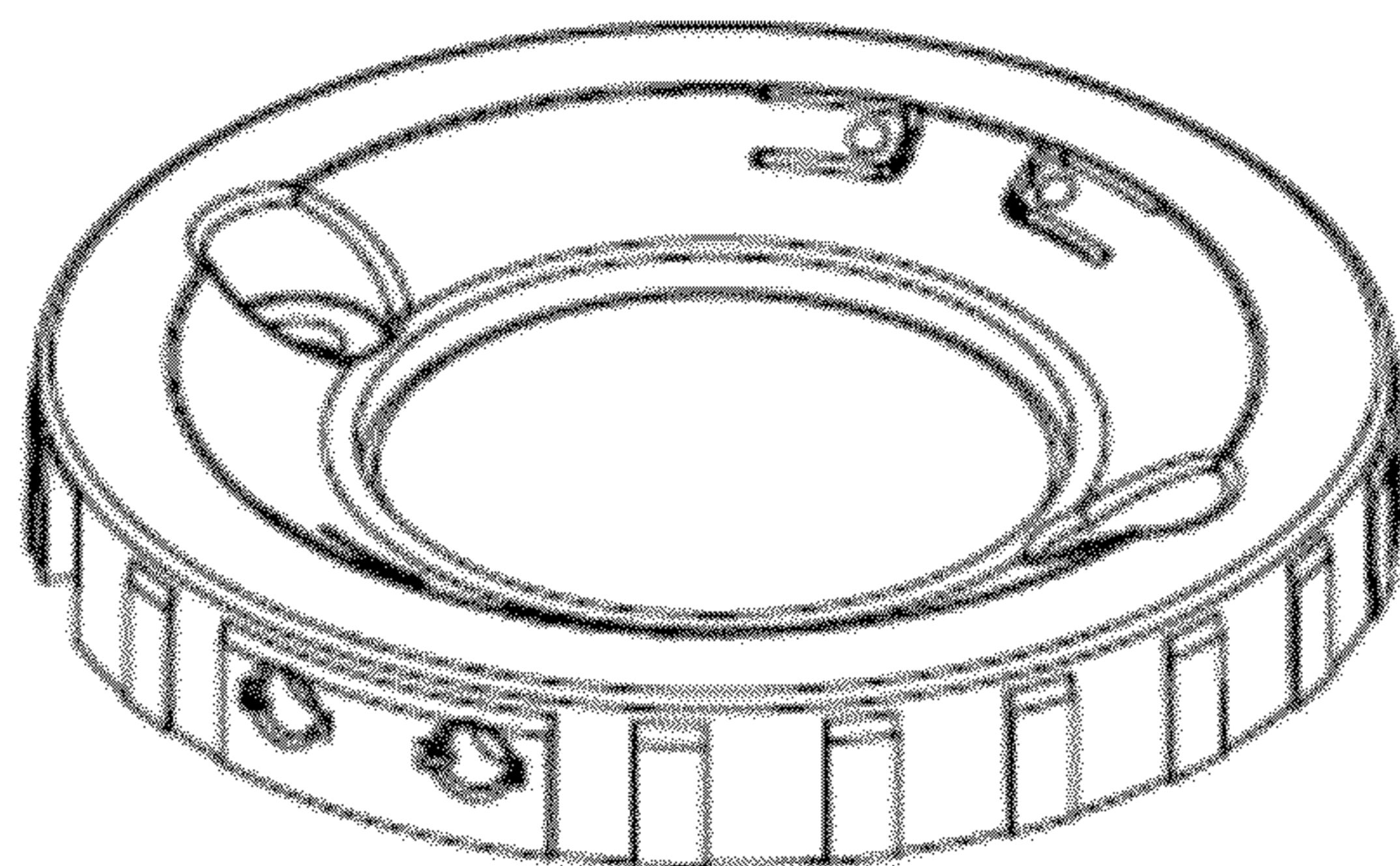


FIG. 8

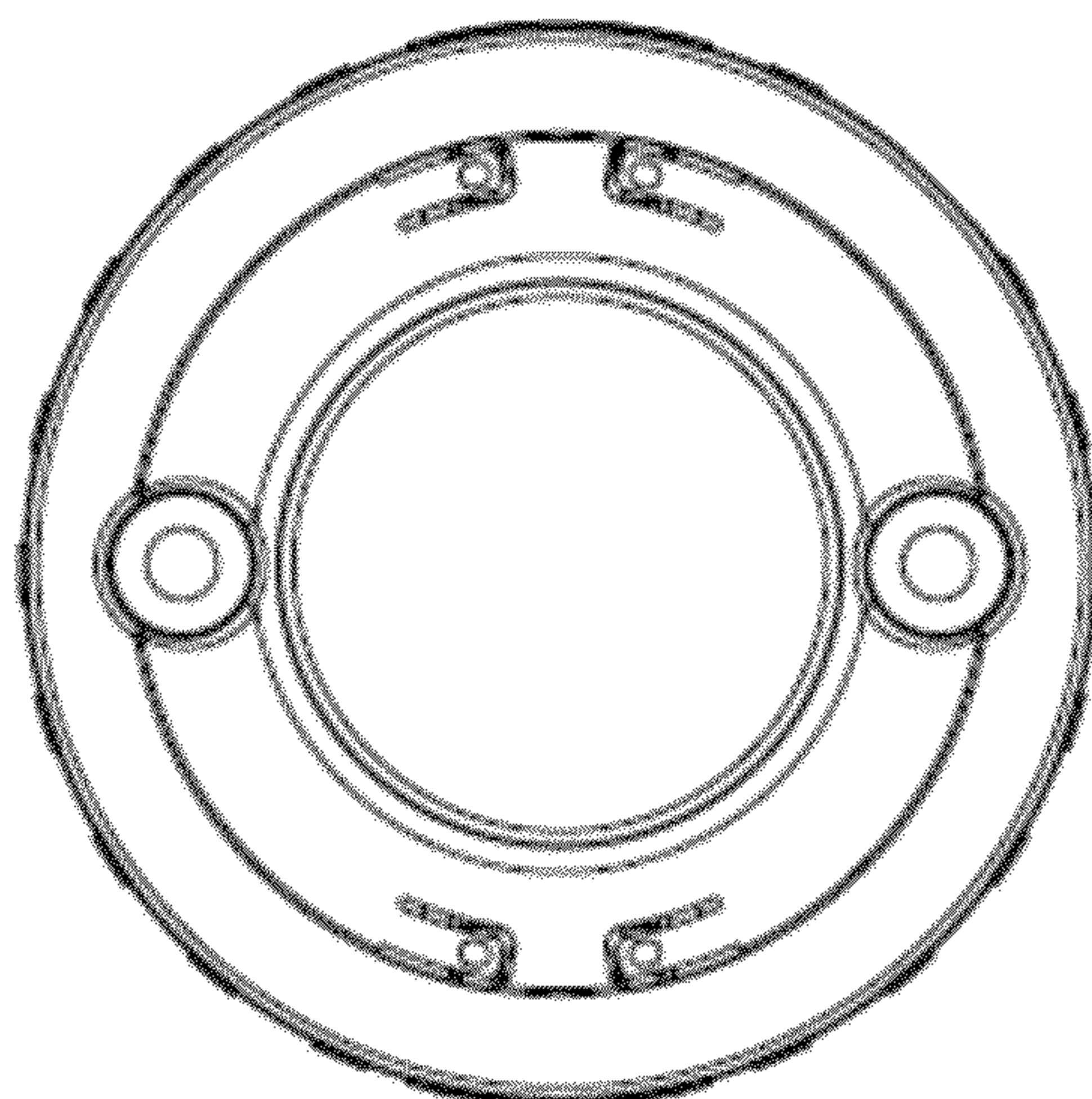


FIG. 9



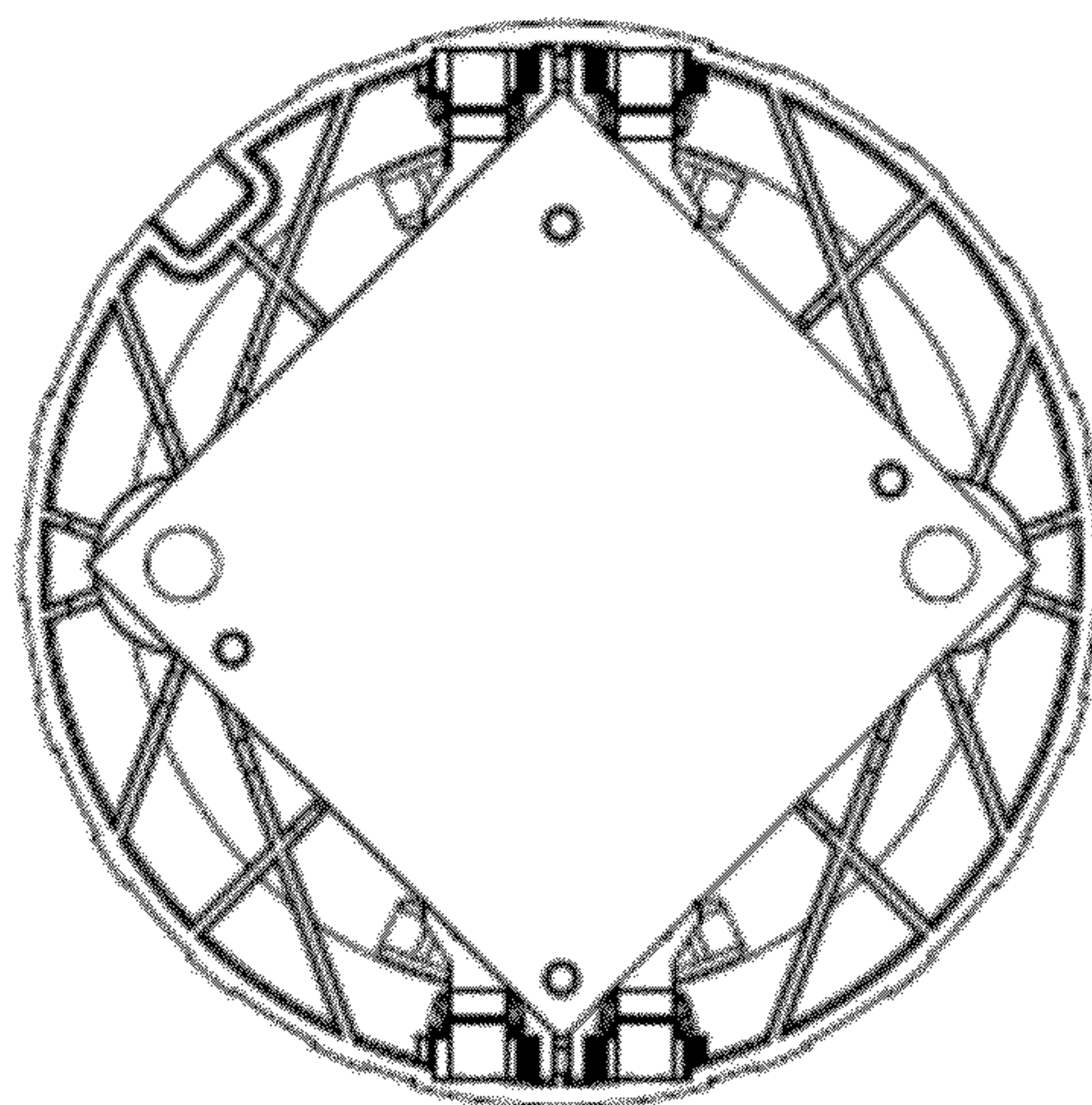


FIG. 10

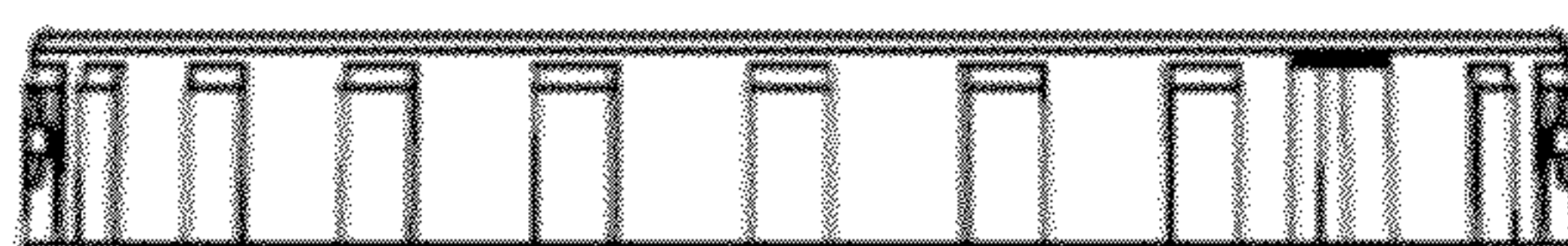


FIG. 11

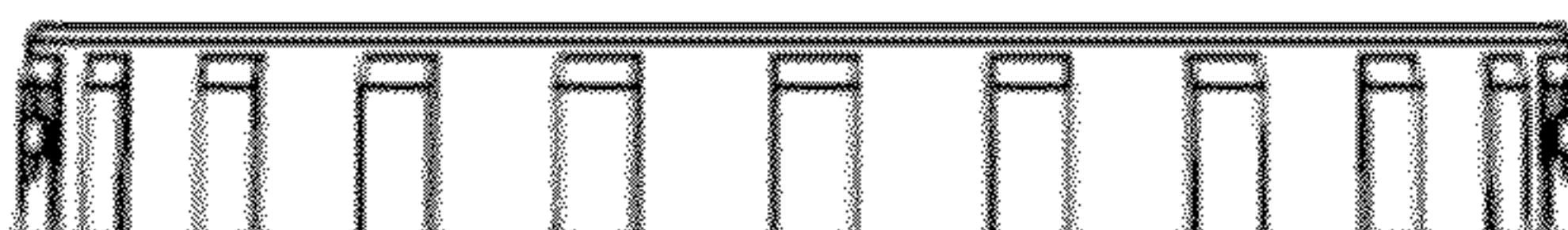


FIG. 12

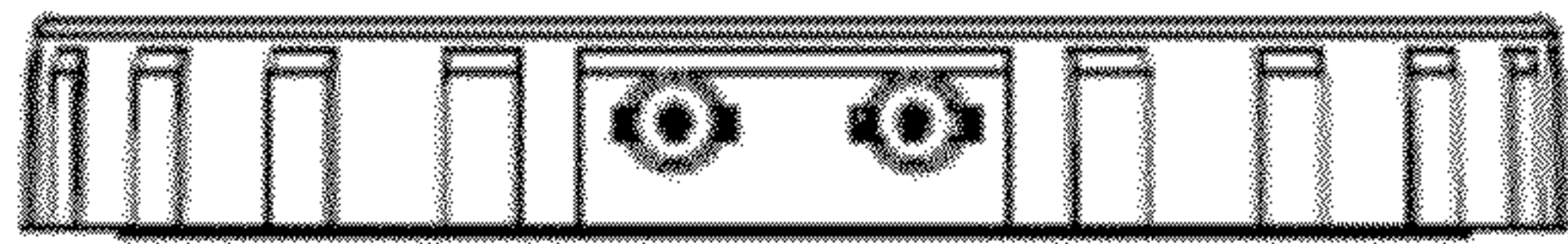


FIG. 13

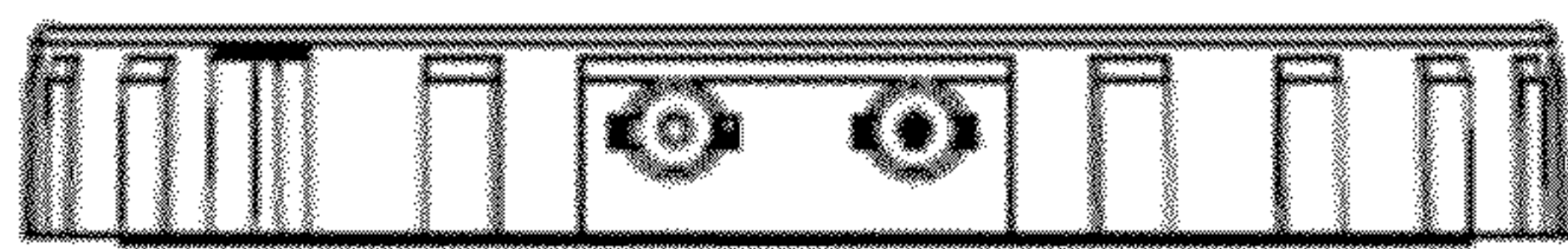


FIG. 14