



US00D728128S

(12) **United States Design Patent**  
**Haney**

(10) **Patent No.:** **US D728,128 S**  
(45) **Date of Patent:** **\*\* Apr. 28, 2015**

- (54) **LADDER SHIN CUSHION**
- (71) Applicant: **Glen R. Haney**, Slidell, LA (US)
- (72) Inventor: **Glen R. Haney**, Slidell, LA (US)
- (\*\*) Term: **14 Years**
- (21) Appl. No.: **29/475,629**
- (22) Filed: **Dec. 4, 2013**
- (51) **LOC (10) Cl.** ..... **25-04**
- (52) **U.S. Cl.**  
USPC ..... **D25/68**
- (58) **Field of Classification Search**  
USPC ..... D25/62, 68, 69; 182/156, 152, 162,  
182/112, 113, 215, 220, 120, 106, 23, 26,  
182/115, 129; 248/210, 238, 236  
See application file for complete search history.

- 6,986,403 B1 \* 1/2006 Rowland et al. .... 182/129
- 6,994,185 B1 \* 2/2006 Hertel ..... 182/129
- D613,423 S \* 4/2010 Koch ..... D25/68

\* cited by examiner

*Primary Examiner* — Doris Clark

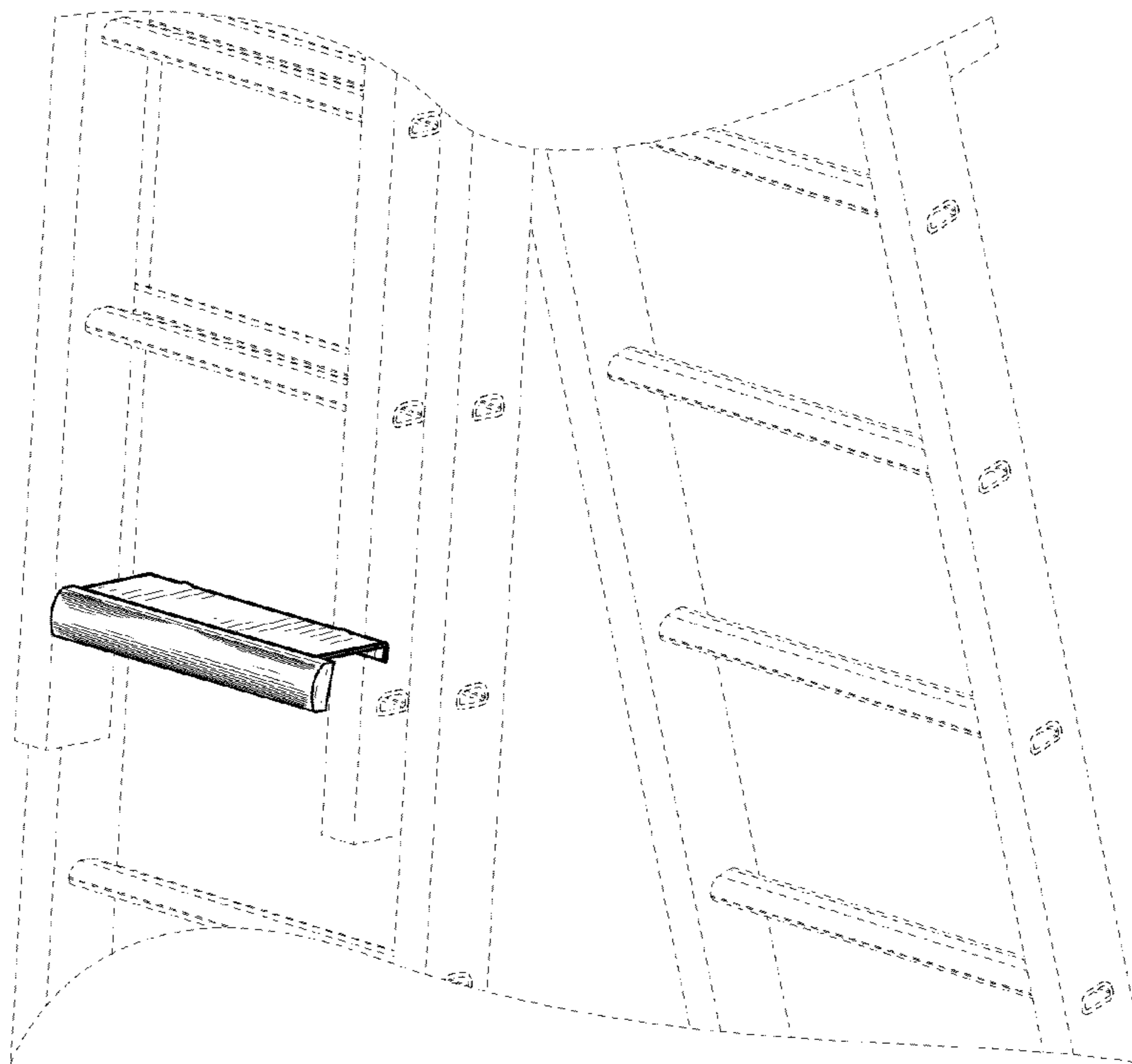
(57) **CLAIM**  
The ornamental design for a ladder shin cushion, as shown and described.

**DESCRIPTION**

FIG. 1 is a perspective front view of a ladder shin cushion, shown on a ladder;  
 FIG. 2 is a perspective front view of the ladder shin cushion;  
 FIG. 3 is a front elevation view of the ladder shin cushion;  
 FIG. 4 is a rear elevation view of the ladder shin cushion;  
 FIG. 5 is a left elevation view of the ladder shin cushion, right elevation view is a mirror image thereof;  
 FIG. 6 is a top elevation view of the ladder shin cushion;  
 FIG. 7 is a bottom elevation view of the ladder shin cushion;  
 and,  
 FIG. 8 is a plan view of the ladder shin cushion unfolded.  
 The ladder is shown in broken lines for illustrative purposes only and forms no part of the claimed design.

**1 Claim, 4 Drawing Sheets**

- (56) **References Cited**  
U.S. PATENT DOCUMENTS  
5,195,610 A \* 3/1993 Chang ..... 182/156  
5,692,581 A \* 12/1997 Nelson et al. .... 182/129  
D408,556 S \* 4/1999 Ruiz ..... D25/68  
6,415,890 B1 \* 7/2002 Tucker et al. .... 182/129



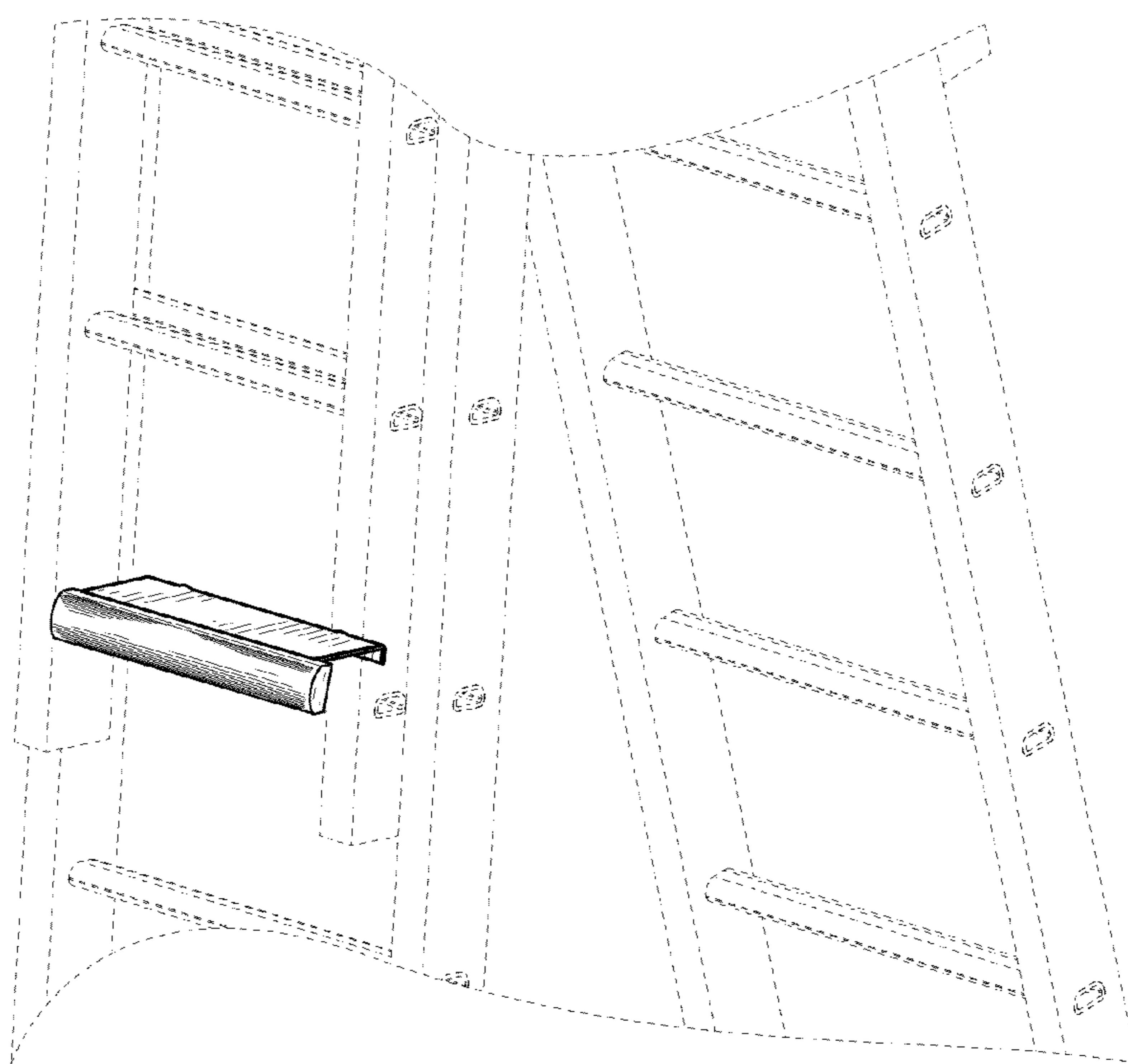


FIG. 1

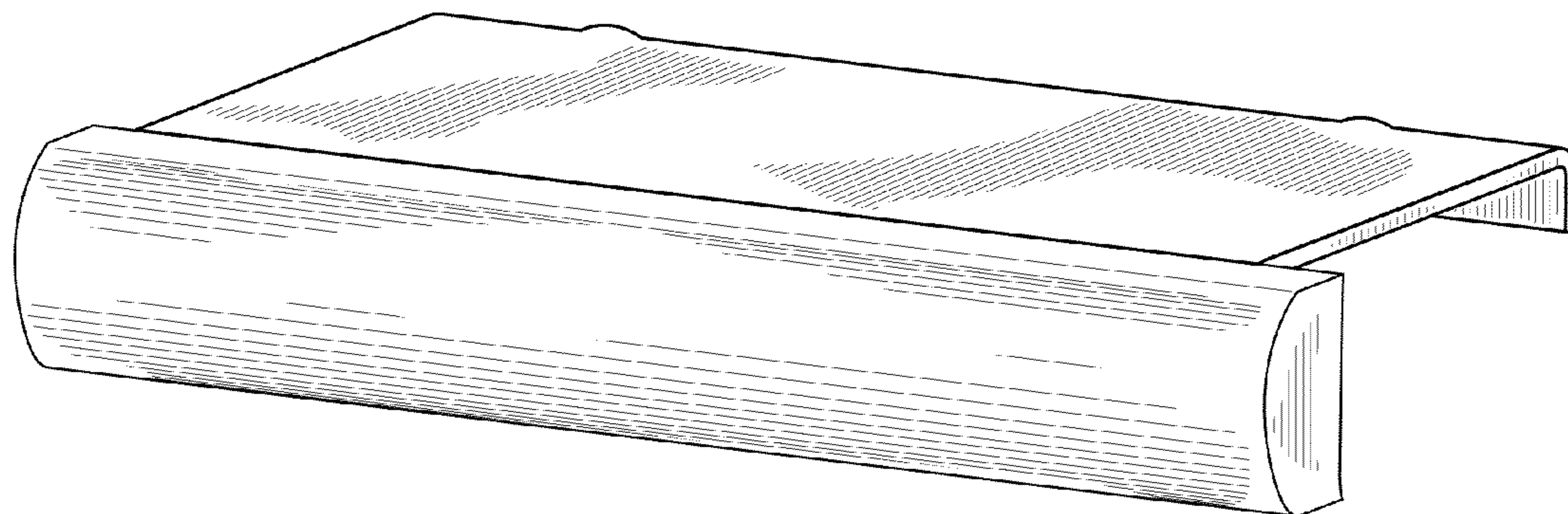


FIG. 2

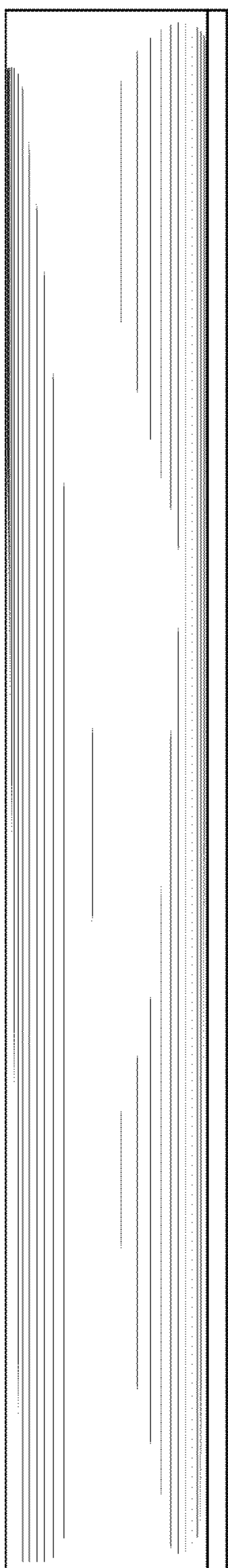


FIG. 3

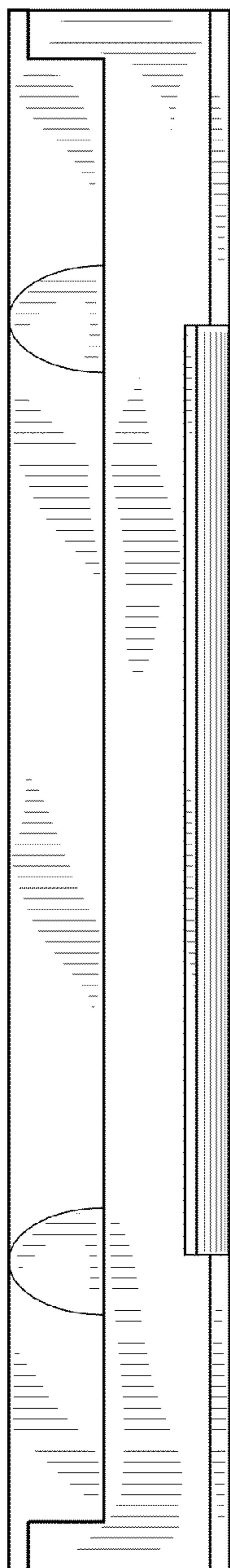


FIG. 4

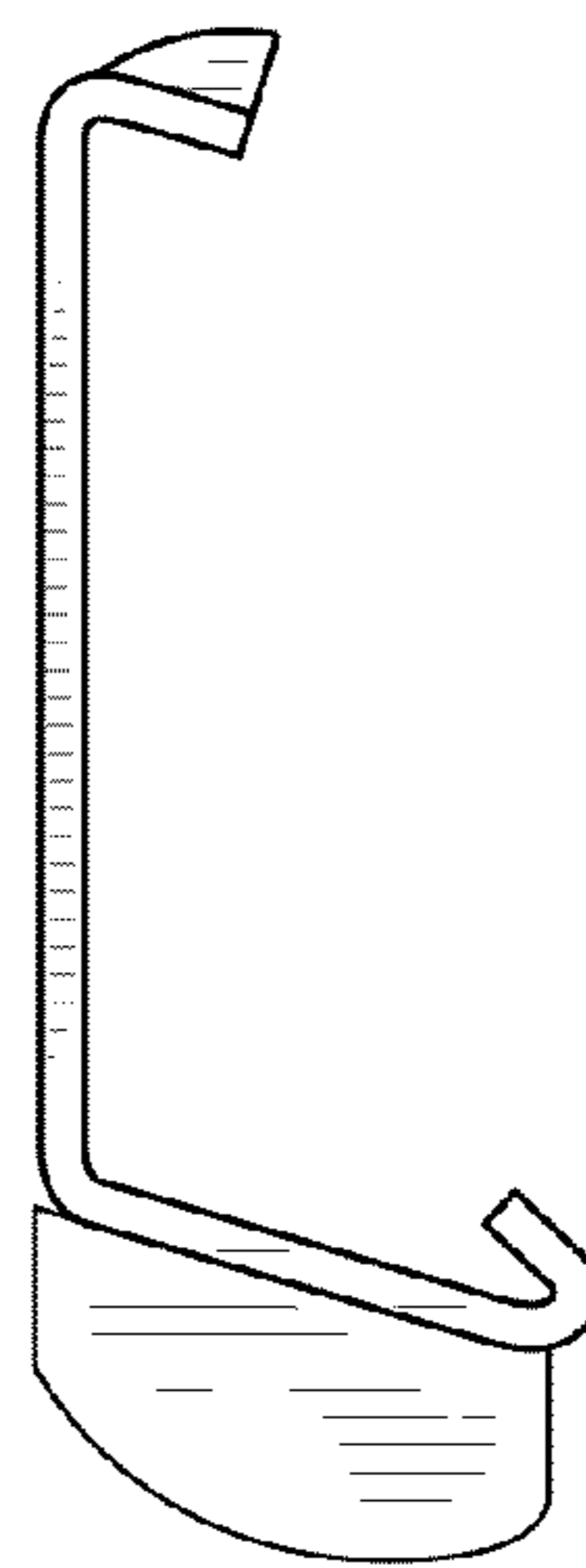


FIG. 5

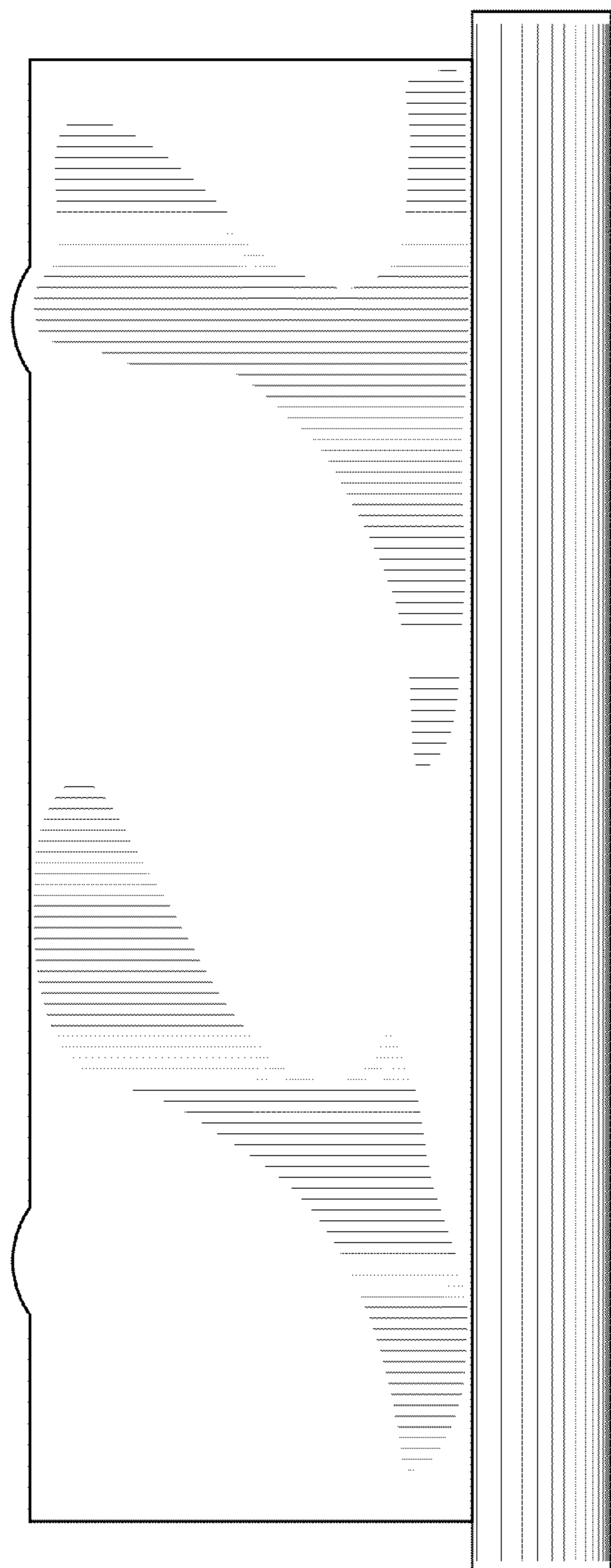


FIG. 6

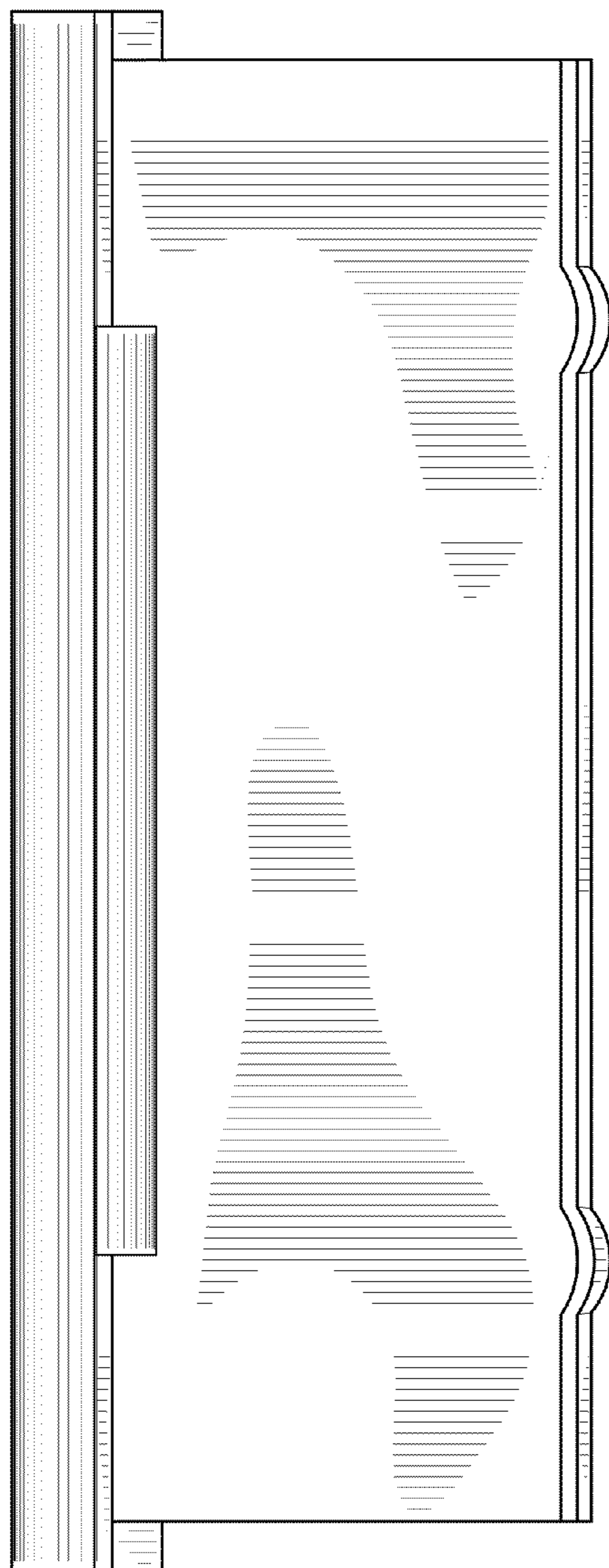


FIG. 7

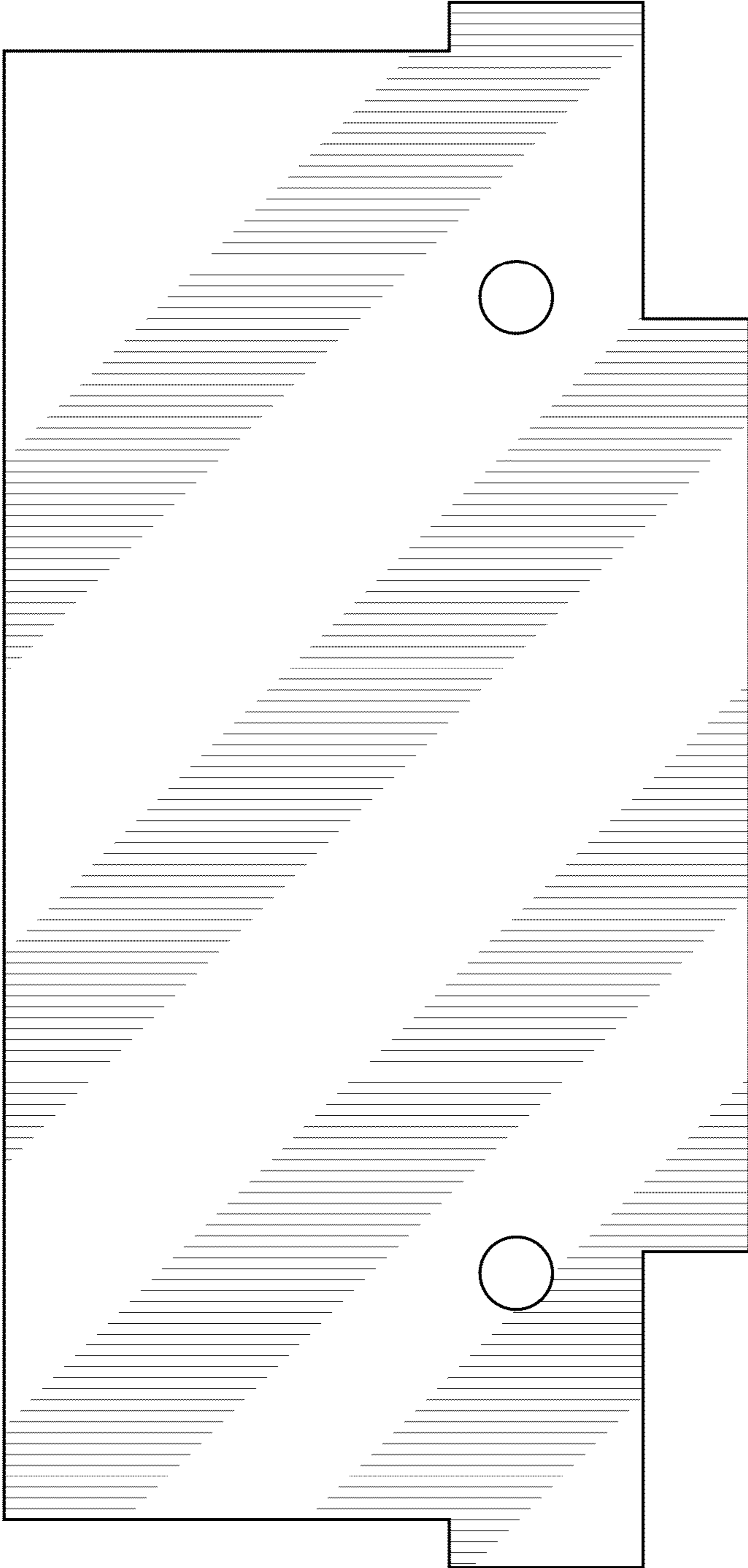


FIG. 8