



US00D728127S

(12) **United States Design Patent**
Way

(10) **Patent No.:** **US D728,127 S**

(45) **Date of Patent:** **** Apr. 28, 2015**

(54) **PORTABLE MEETING BOOTH**

7,216,381 B1 * 5/2007 Setzer 5/418

* cited by examiner

(71) Applicant: **Rob Way**, Kitchener (CA)

Primary Examiner — Doris Clark

(72) Inventor: **Rob Way**, Kitchener (CA)

(74) *Attorney, Agent, or Firm* — Daryl W. Schnurr

(**) Term: **14 Years**

(57) **CLAIM**

I claim the ornamental design for a portable meeting booth, as shown and described.

(21) Appl. No.: **29/456,850**

DESCRIPTION

(22) Filed: **Jun. 4, 2013**

(51) **LOC (10) Cl.** **25-02**

(52) **U.S. Cl.**
USPC **D25/58**

(58) **Field of Classification Search**
USPC D25/58; D6/332; 160/135, 161, 351;
52/481.2, 745.15, 239, 238.1
See application file for complete search history.

FIG. 1 is a perspective view of a portable meeting booth in an expanded position;
FIG. 2 is a top view of the portable meeting booth in an expanded position;
FIG. 3 is a front view of the portable meeting booth in an expanded position;
FIG. 4 is a side view of the portable meeting booth in an expanded position;
FIG. 5 is a rear view of the portable meeting booth in an expanded position;
FIG. 6 is a perspective view of the portable meeting booth in a contracted position,
FIG. 7 is a top view of the portable meeting booth in a contracted position;
FIG. 8 is a front view of the portable meeting booth in a contracted position; and,
FIG. 9 is a side view of the portable meeting booth in a contracted position.

(56) **References Cited**

U.S. PATENT DOCUMENTS

2,766,858	A *	10/1956	Johnson et al.	52/217
D250,378	S *	11/1978	Woods	D25/58
4,635,417	A *	1/1987	Larouche	52/239
D385,044	S *	10/1997	Johnson	D25/58
5,848,500	A *	12/1998	Kirk	52/79.1
6,115,977	A *	9/2000	Hornberger et al.	52/238.1
D485,368	S *	1/2004	Hayashi	D25/58

1 Claim, 3 Drawing Sheets

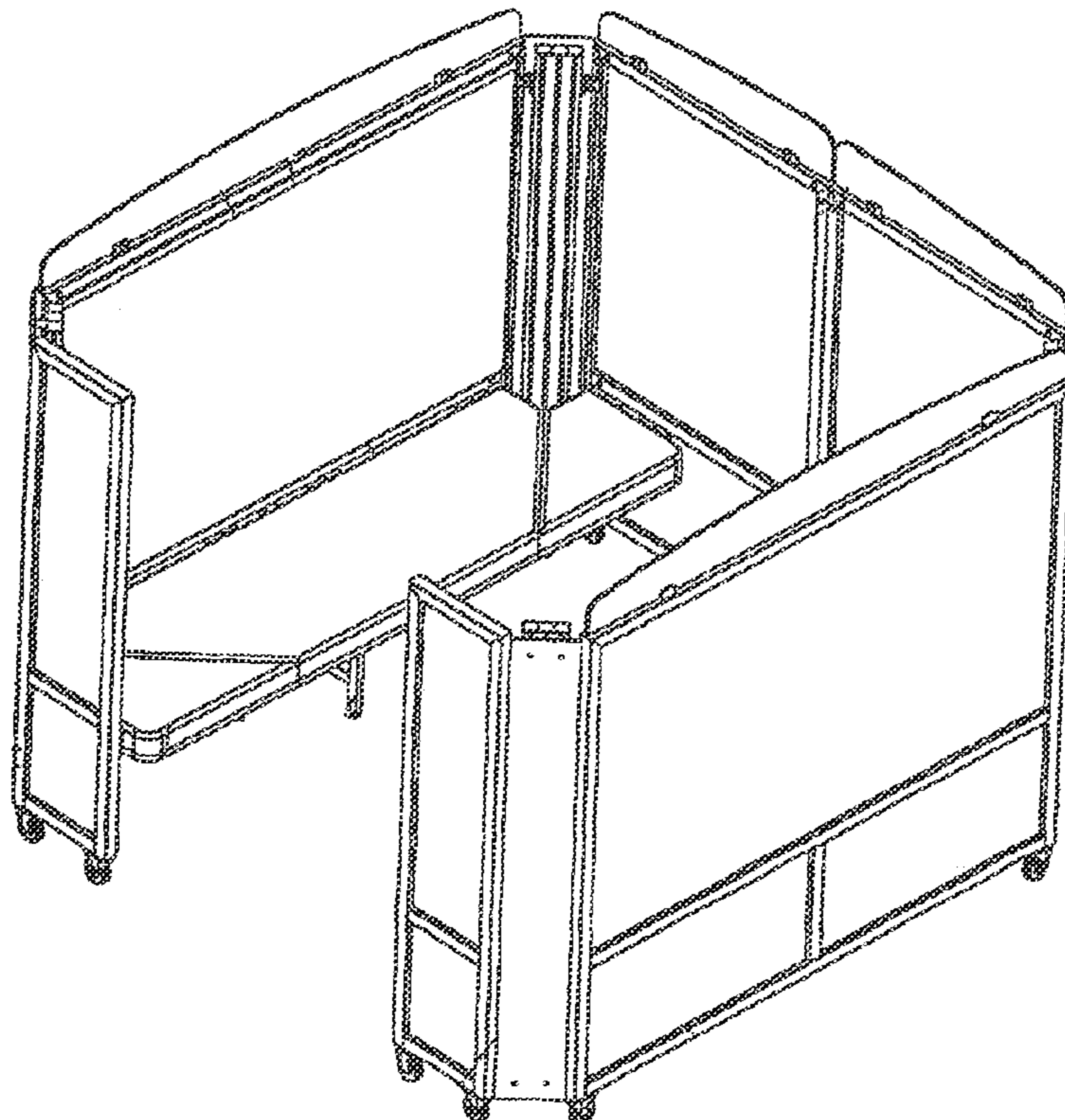


FIGURE 6

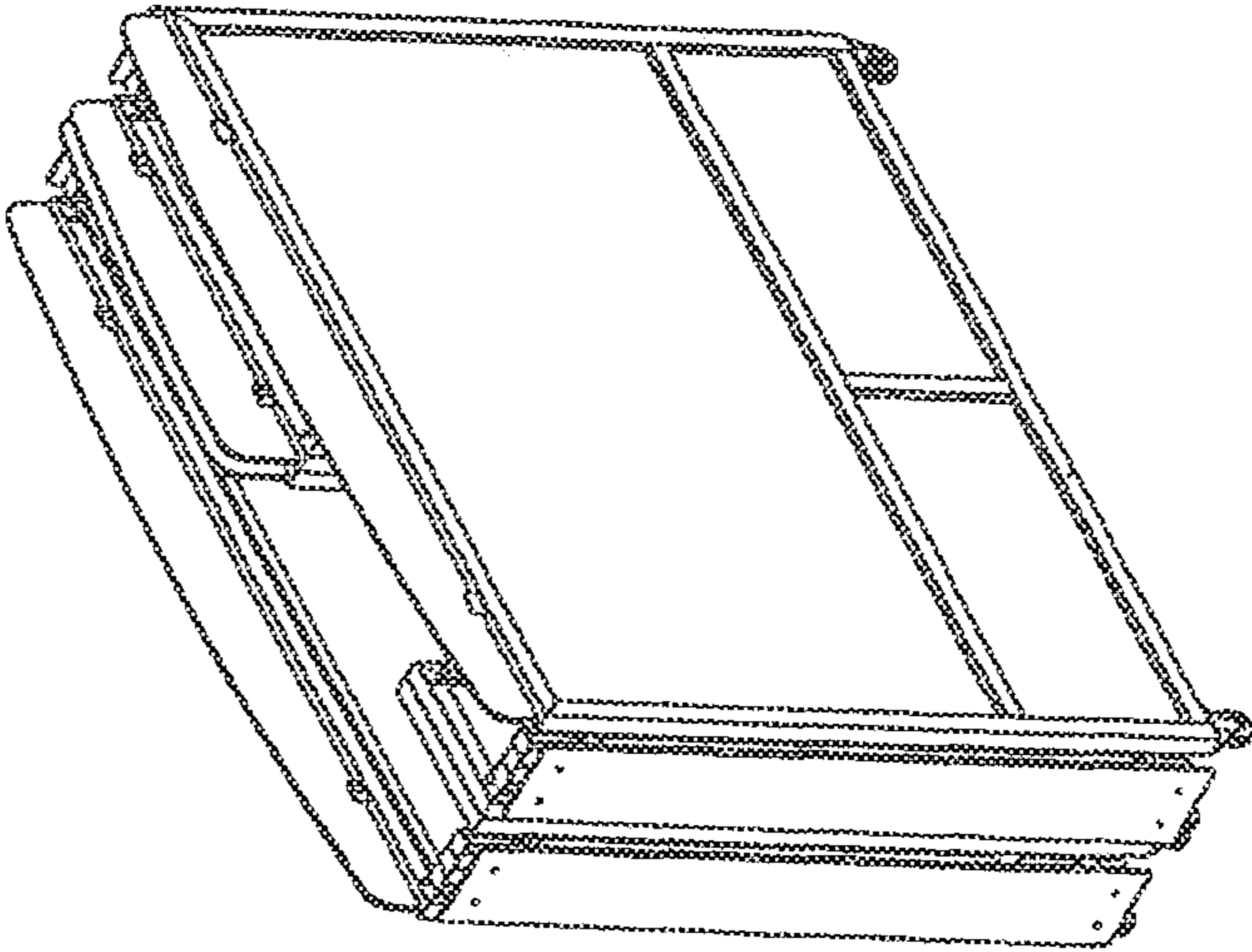
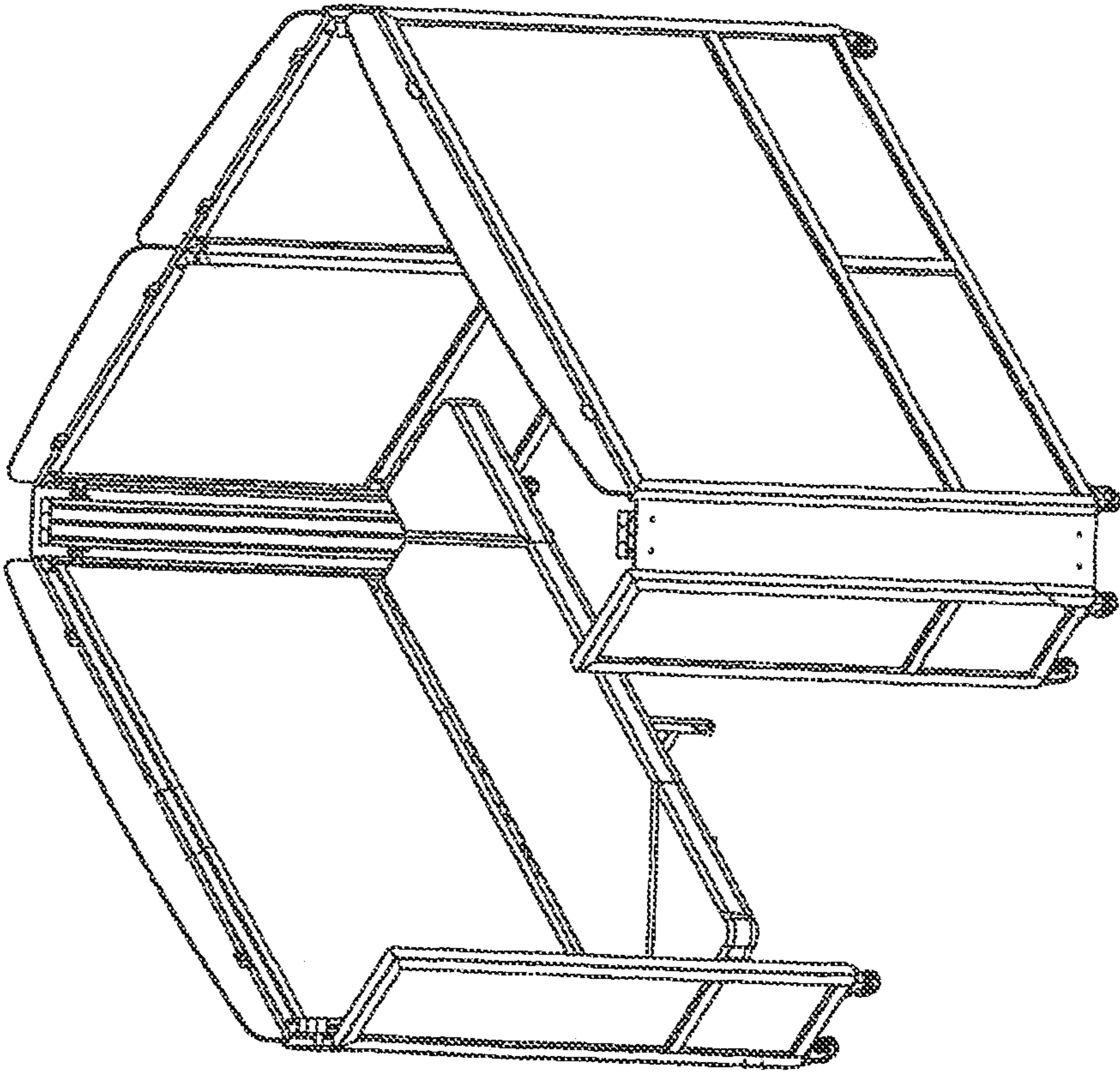


FIGURE 1



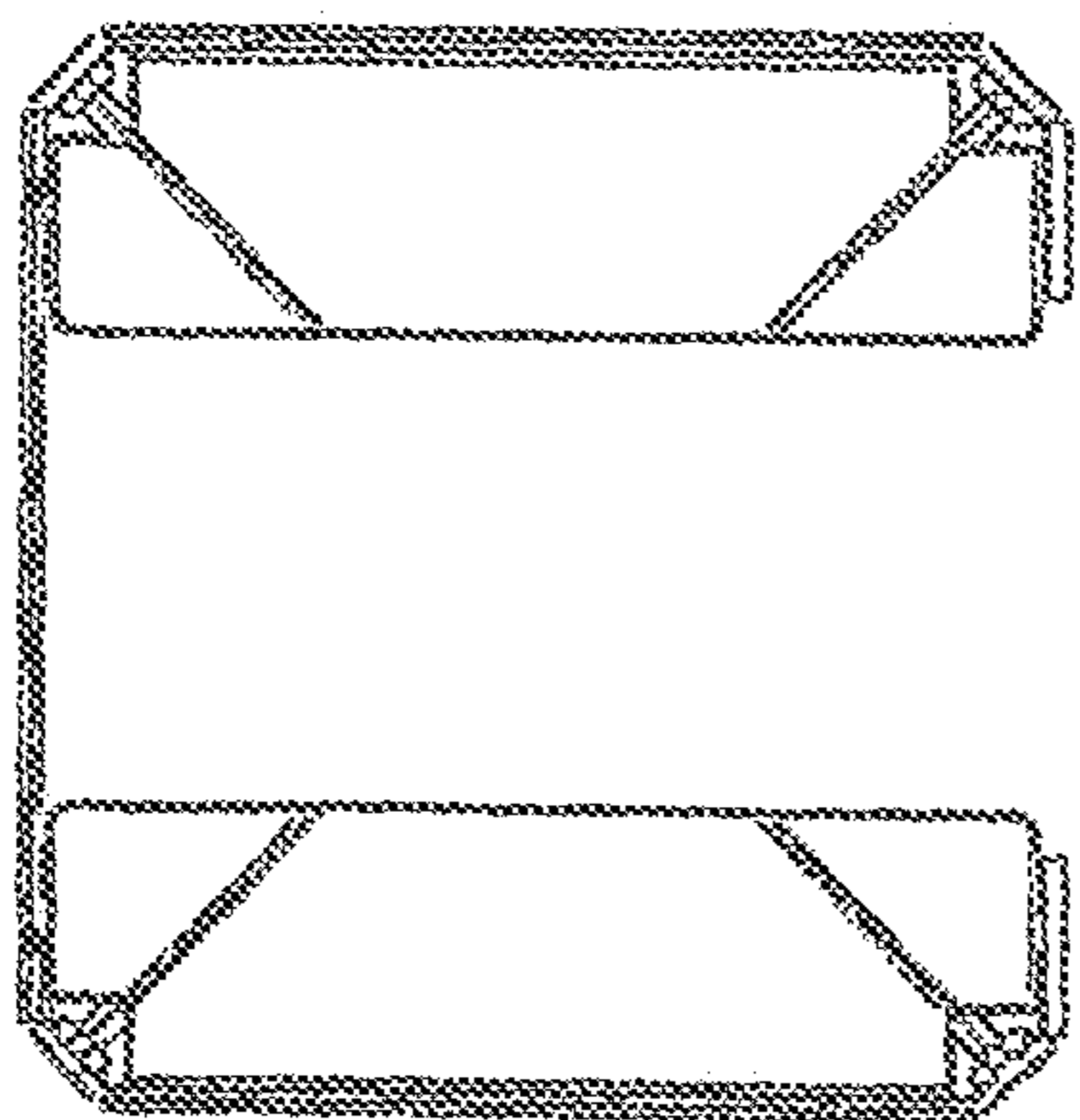


FIGURE 2

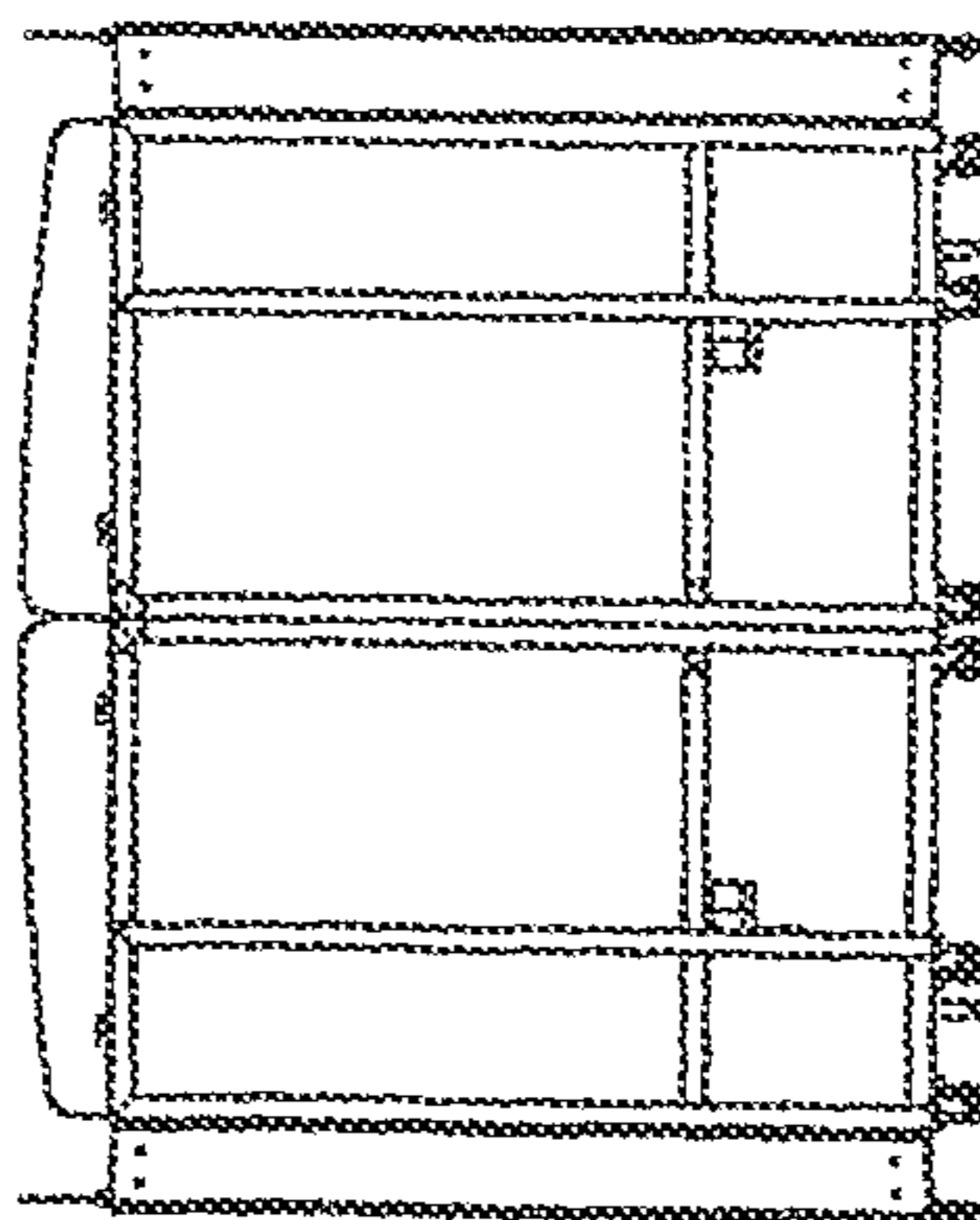


FIGURE 3

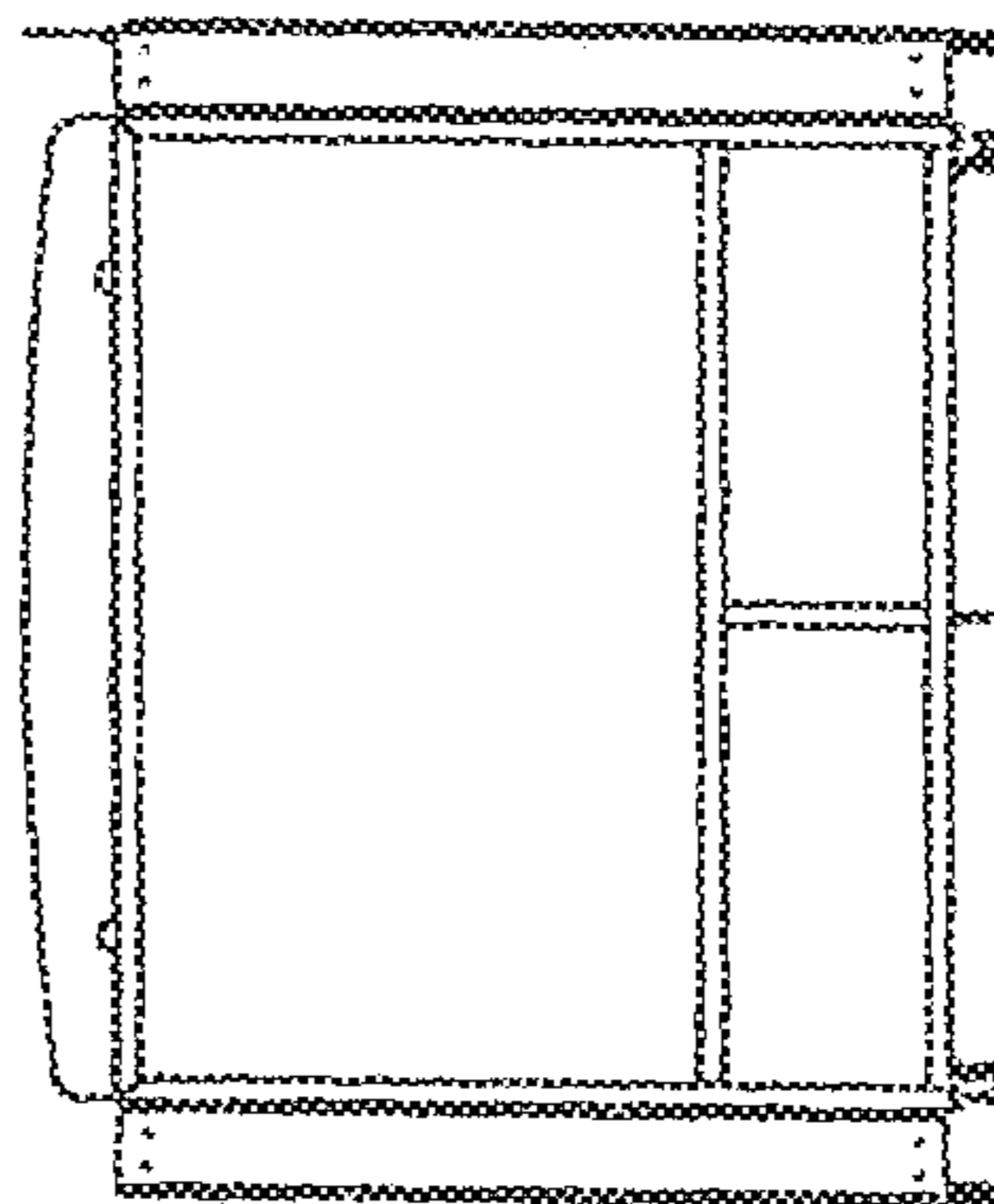


FIGURE 4

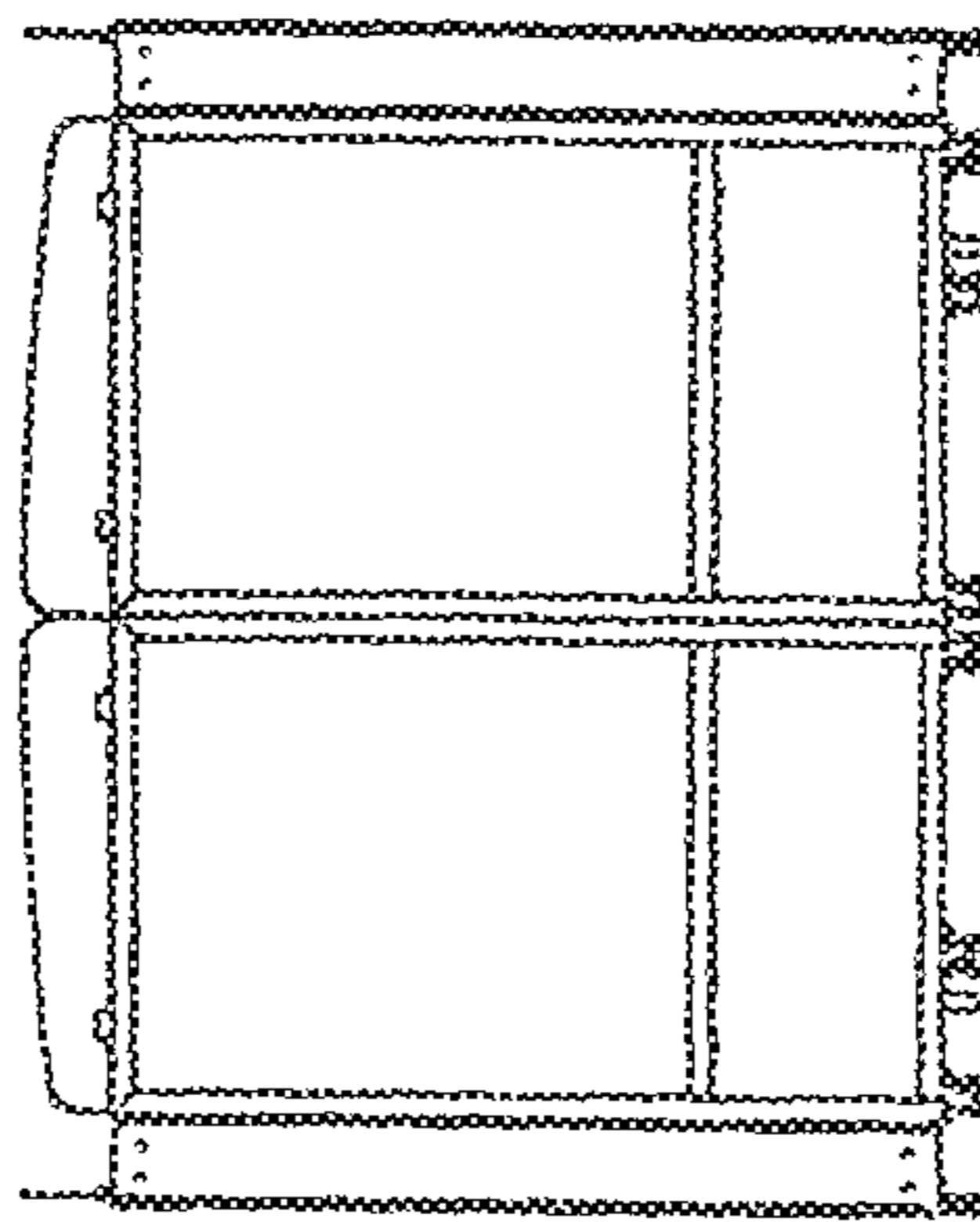


FIGURE 5

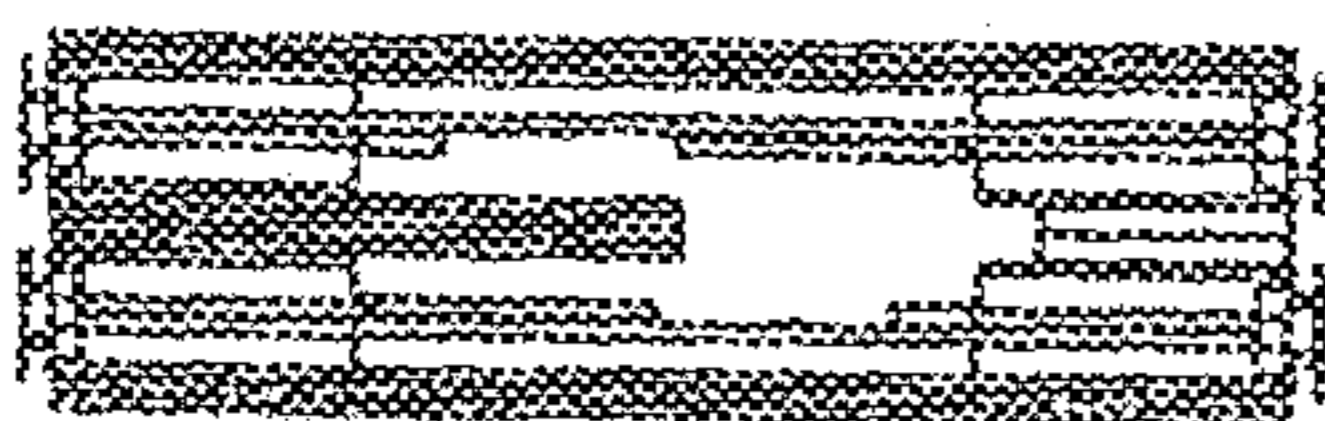


FIGURE 7

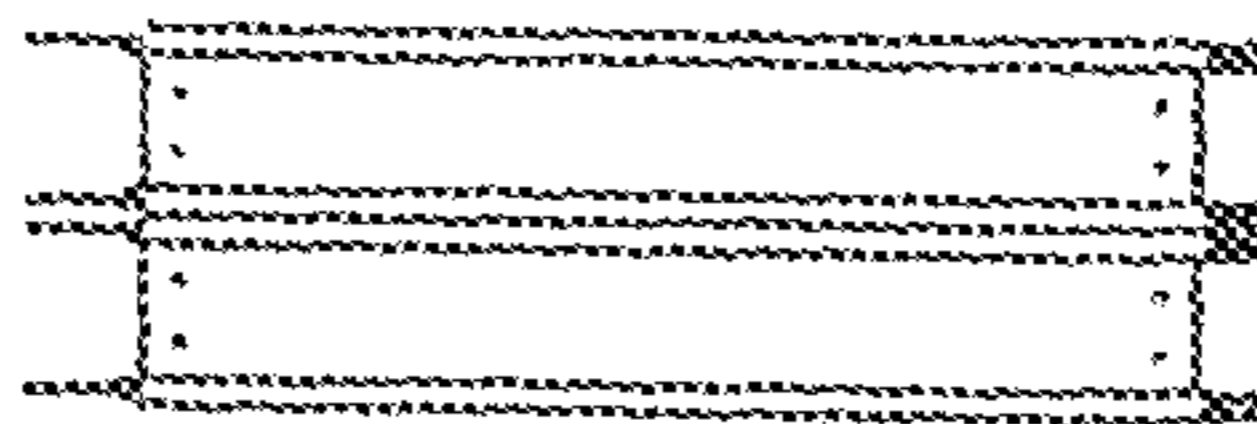


FIGURE 8

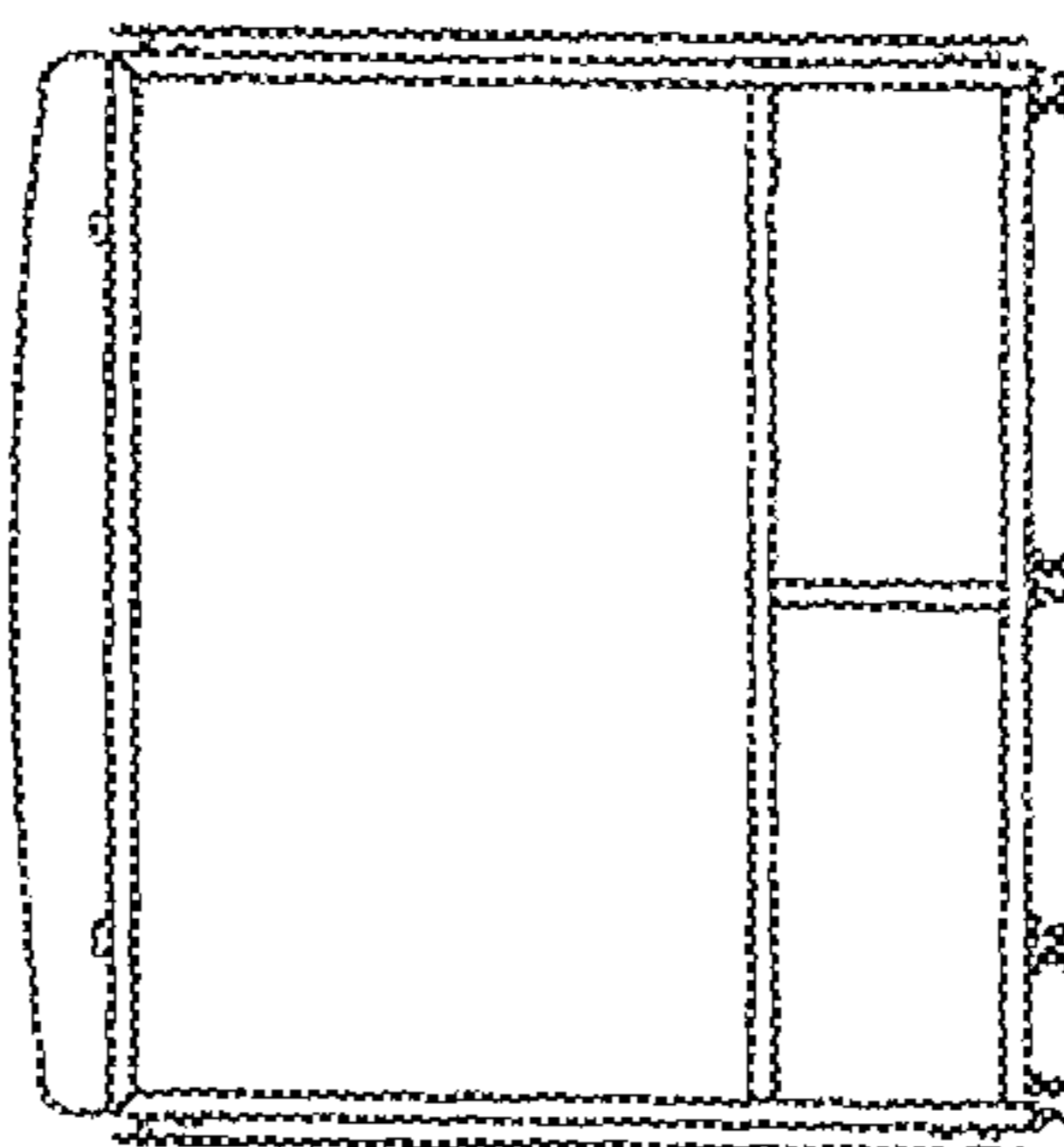


FIGURE 9