



US00D728125S

(12) **United States Design Patent**
Trigg et al.

(10) **Patent No.:** **US D728,125 S**
(45) **Date of Patent:** **** Apr. 28, 2015**

(54) **POLYMERASE CHAIN REACTION INSTRUMENT**

(71) Applicant: **Life Technologies Corporation,**
Carlsbad, CA (US)

(72) Inventors: **Laurence Trigg,** Santa Clara, CA (US);
Joseph Lee, San Diego, CA (US); **Lance Hussey,** Thousand Oaks, CA (US); **Ravi Sawhney,** Thousand Oaks, CA (US);
Toshihiro Aya, Kyoto (JP); **Greg Lucier,** Carlsbad, CA (US); **Amanda Clardy,** Carlsbad, CA (US)

(73) Assignee: **Life Technologies Corporation,**
Carlsbad, CA (US)

(**) Term: **14 Years**

(21) Appl. No.: **29/461,238**

(22) Filed: **Jul. 19, 2013**

Related U.S. Application Data

(62) Division of application No. 29/403,059, filed on Sep. 30, 2011, now Pat. No. Des. 687,968.

(51) **LOC (10) Cl.** **24-02**

(52) **U.S. Cl.**
USPC **D24/232; D24/216**

(58) **Field of Classification Search**
USPC D24/230–233, 216–217, 169, 185–186;
D10/81; 422/50–53, 62–63, 68.1, 70,
422/83, 500, 547, 550, 565, 566; 435/91.2,
435/283.1, 287.1, 287.2, 287.8, 303.1
See application file for complete search history.

(56) **References Cited**

U.S. PATENT DOCUMENTS

D421,653 S * 3/2000 Purcell D24/231
D537,951 S * 3/2007 Okamoto et al. D24/233
D542,931 S * 5/2007 Pukall et al. D24/232

D556,914 S * 12/2007 Okamoto et al. D24/233
D588,276 S * 3/2009 Isozaki et al. D24/232
D591,864 S * 5/2009 Schmidt D24/216
D599,234 S * 9/2009 Ito D10/81
D612,276 S * 3/2010 Duffy et al. D10/81
7,767,439 B2 * 8/2010 Oh et al. 435/287.2
D637,931 S * 5/2011 Kimura et al. D10/81
D646,398 S * 10/2011 Oonuma et al. D24/232
D657,068 S * 4/2012 Shibata D24/216
8,377,709 B2 * 2/2013 Kaneblei 422/50
D702,852 S * 4/2014 Podhasky et al. D24/216

* cited by examiner

Primary Examiner — Wan Laymon

(57) **CLAIM**

The ornamental design for a polymerase chain reaction instrument, as shown and described.

DESCRIPTION

FIG. 1 is a front perspective view of a polymerase chain reaction instrument.

FIG. 2 is a perspective view of the polymerase chain reaction instrument shown in FIG. 1.

FIG. 3 is a front view of the polymerase chain reaction instrument shown in FIG. 1.

FIG. 4 is a back view of the polymerase chain reaction instrument shown in FIG. 1.

FIG. 5 is a side view of the polymerase chain reaction instrument shown in FIG. 1.

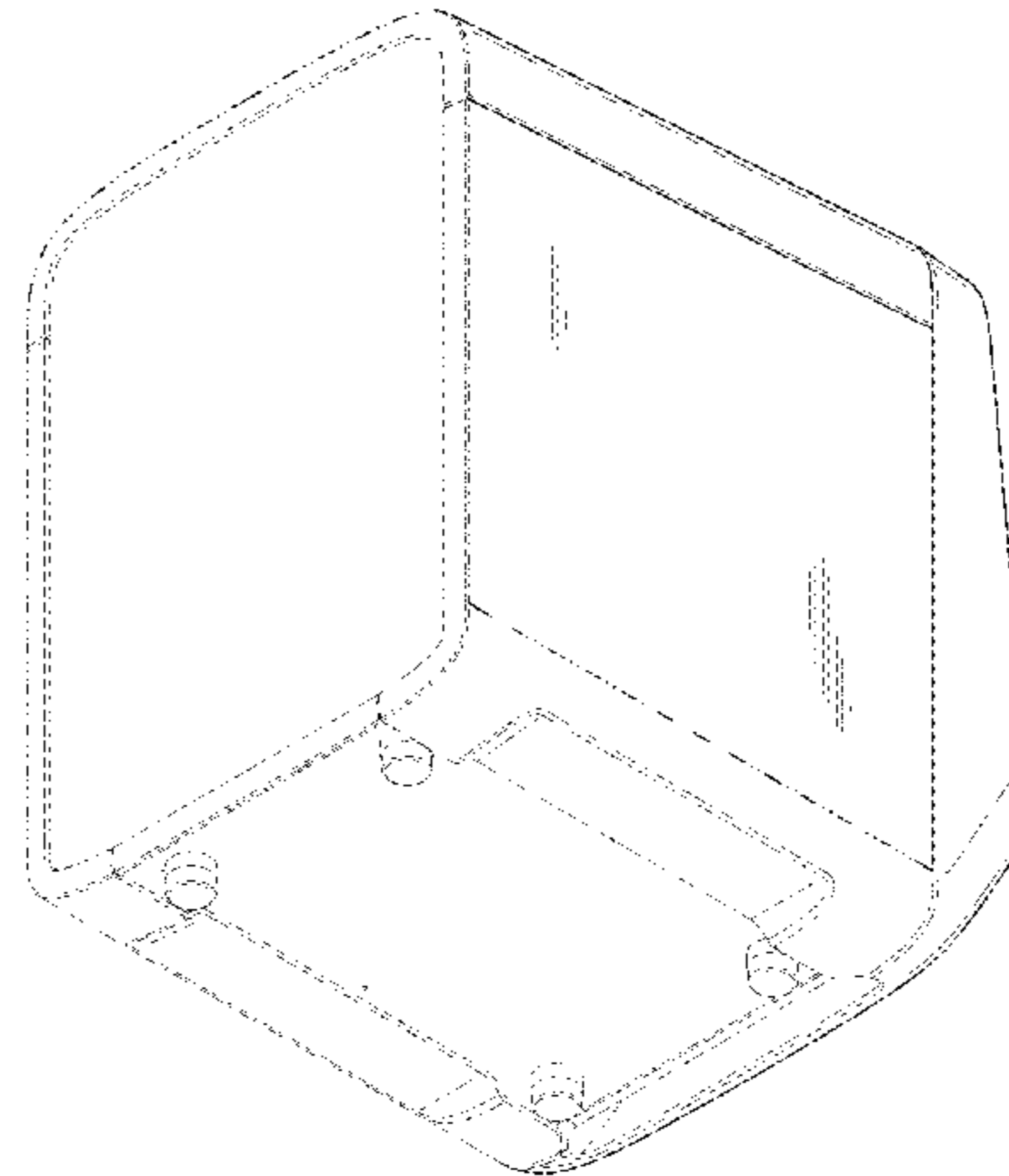
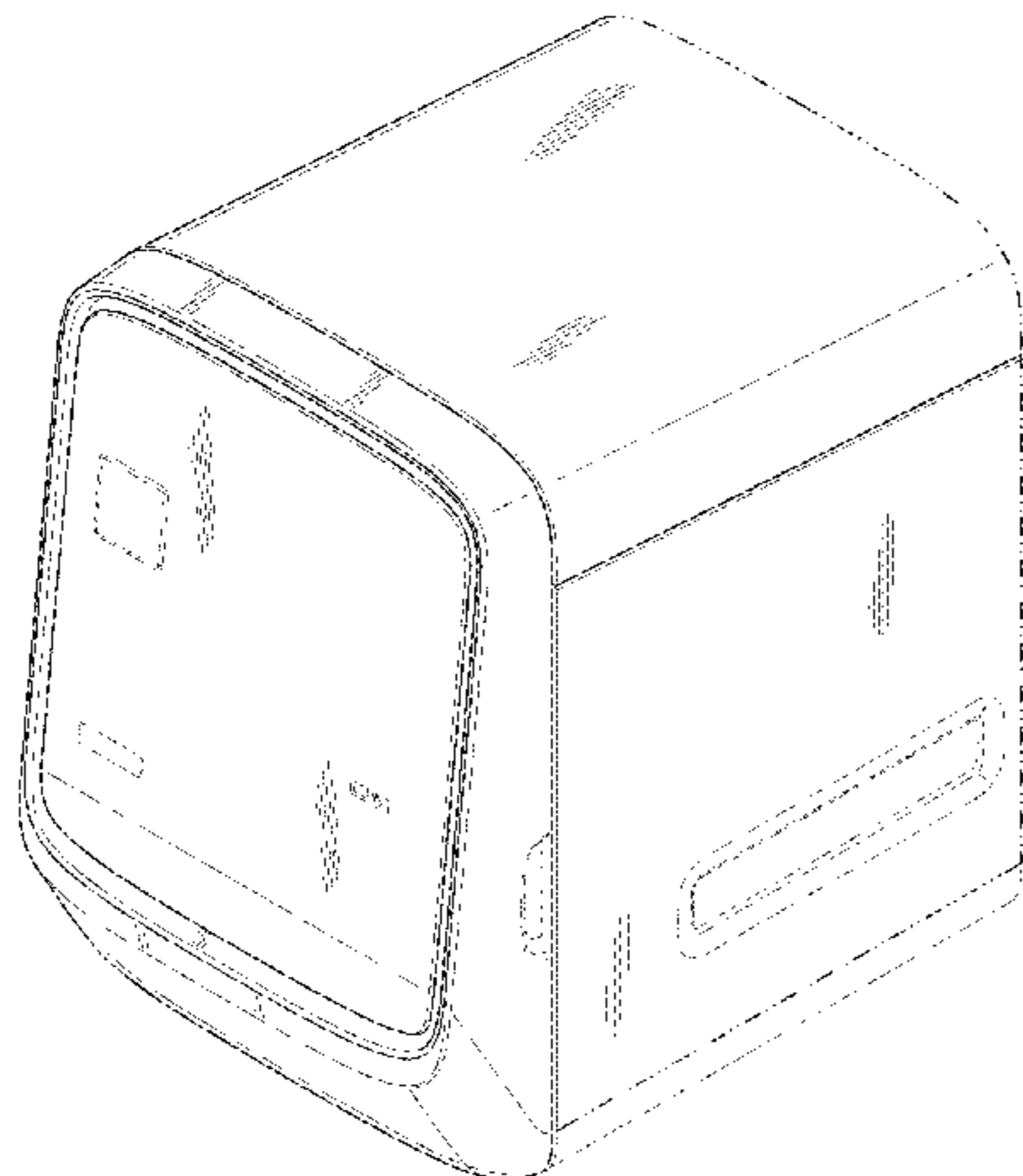
FIG. 6 is a side view of the polymerase chain reaction instrument shown in FIG. 1.

FIG. 7 is a top view of the polymerase chain reaction instrument shown in FIG. 1; and,

FIG. 8 is a bottom view of the polymerase chain reaction instrument shown in FIG. 1.

Portions of the polymerase chain reaction instrument shown in broken lines form no part of the claimed design. The evenly dashed broken lines in the drawings illustrate the portions of the design that form no part of the claim. The dot-dot-dash broken lines in the drawings define the bounds of the claim and form no part thereof.

1 Claim, 8 Drawing Sheets



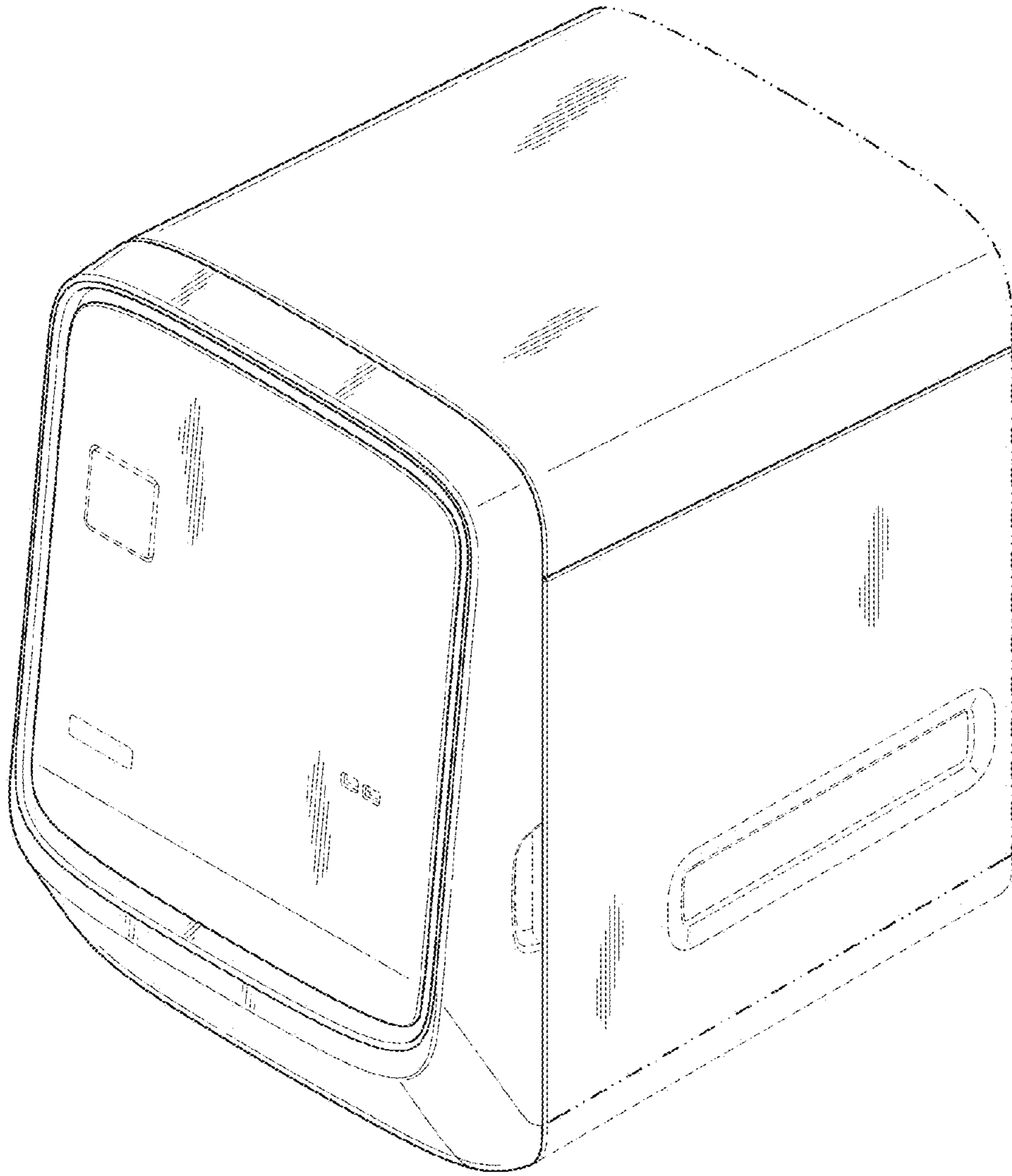


FIG. 1

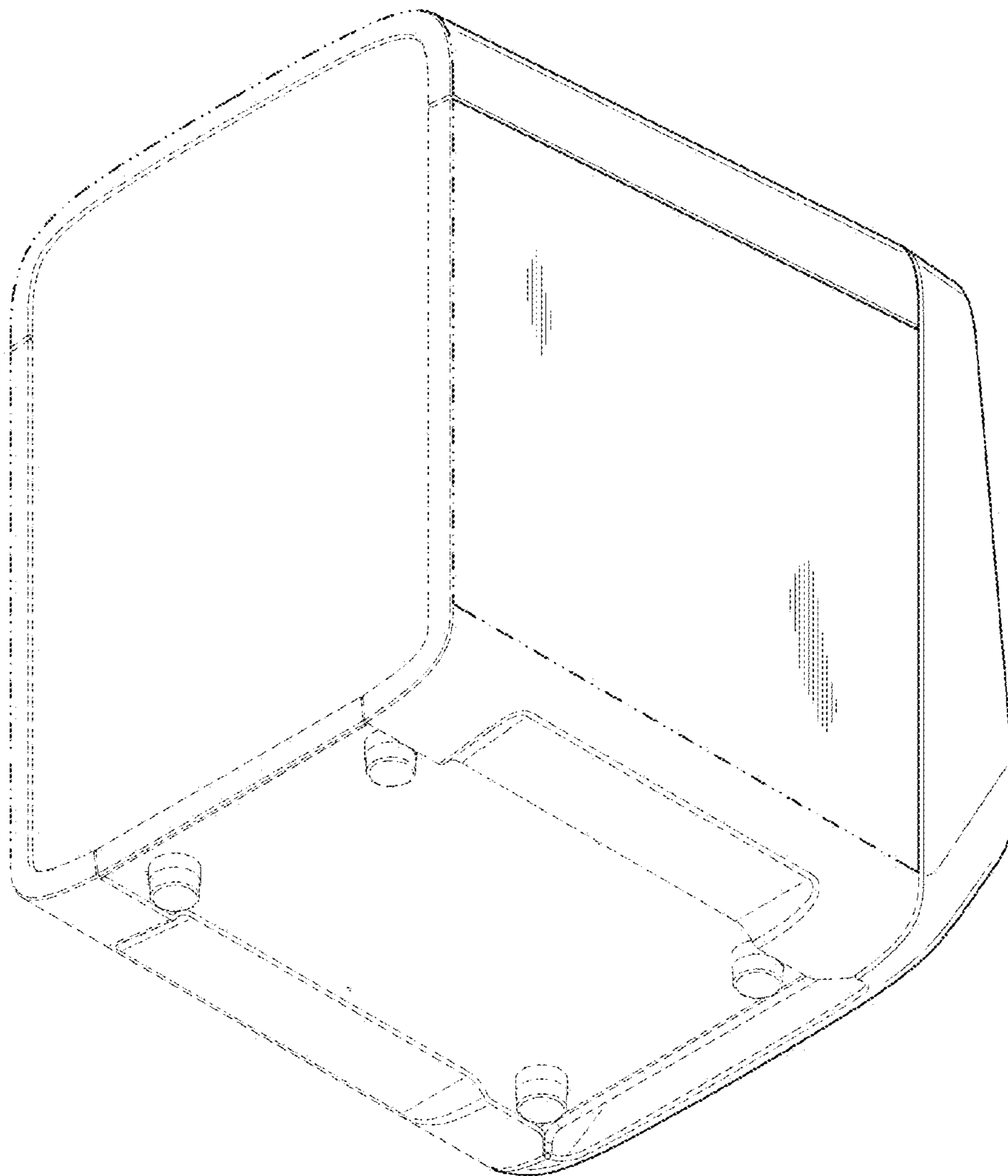


FIG. 2

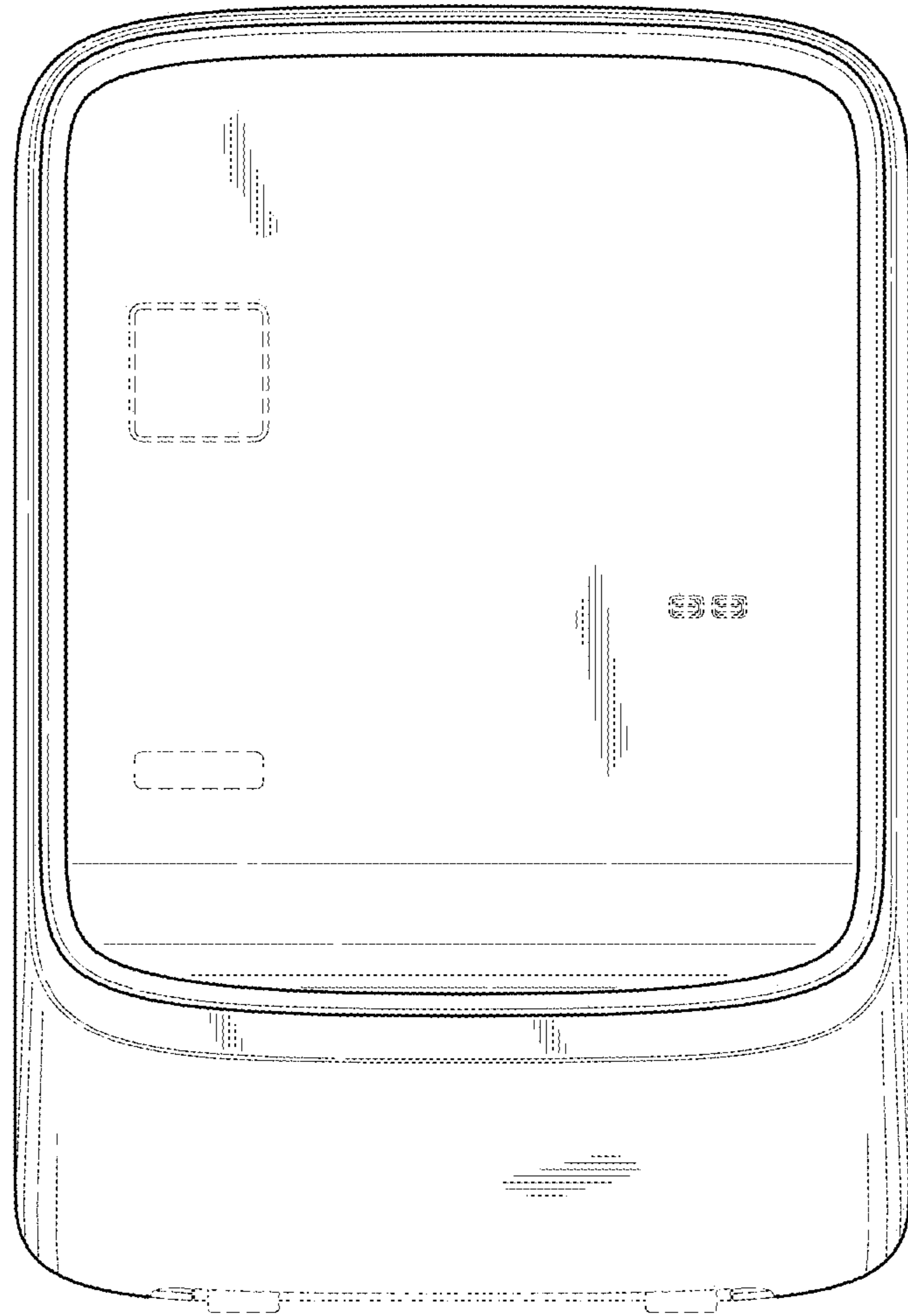


FIG. 3

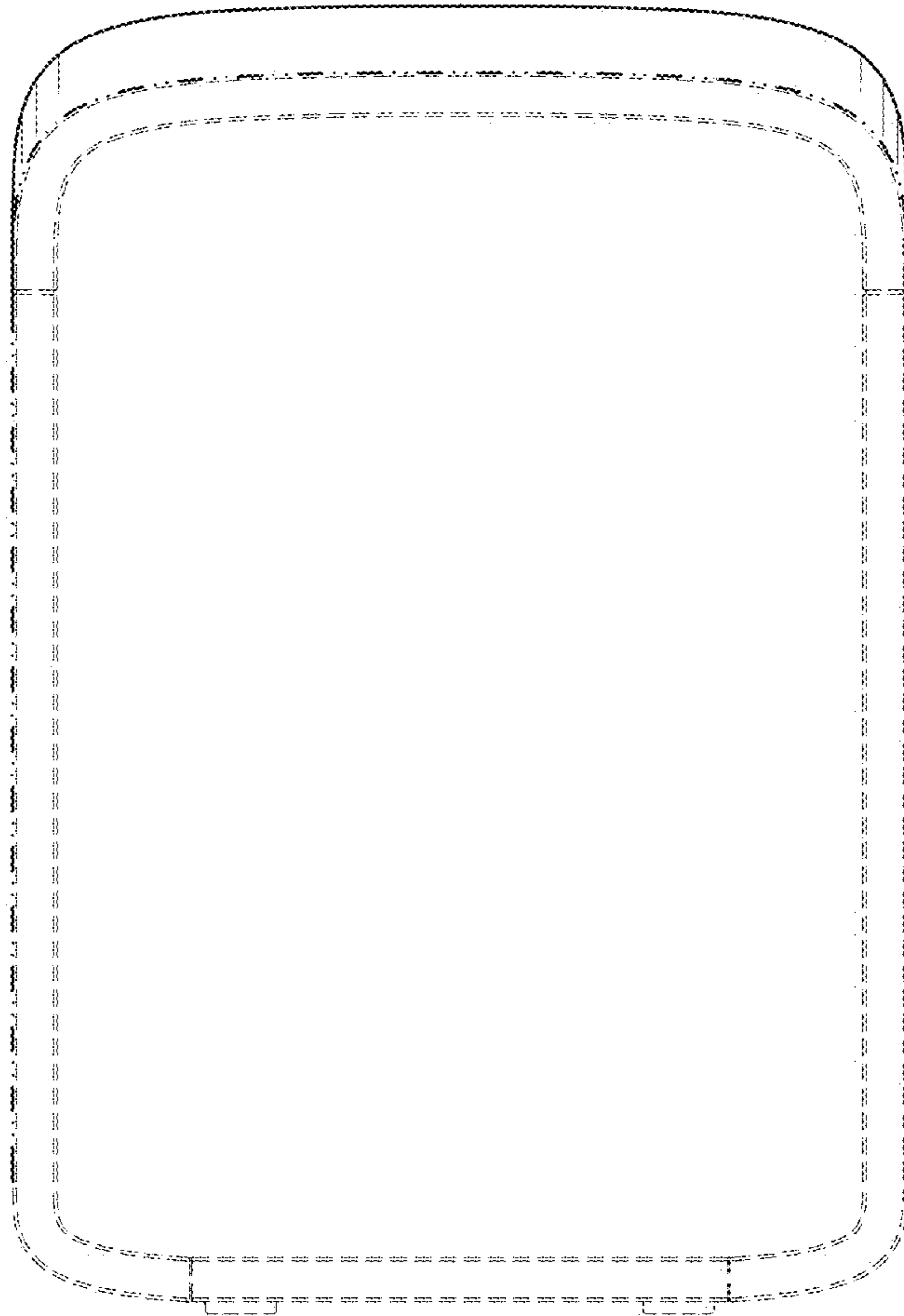


FIG. 4

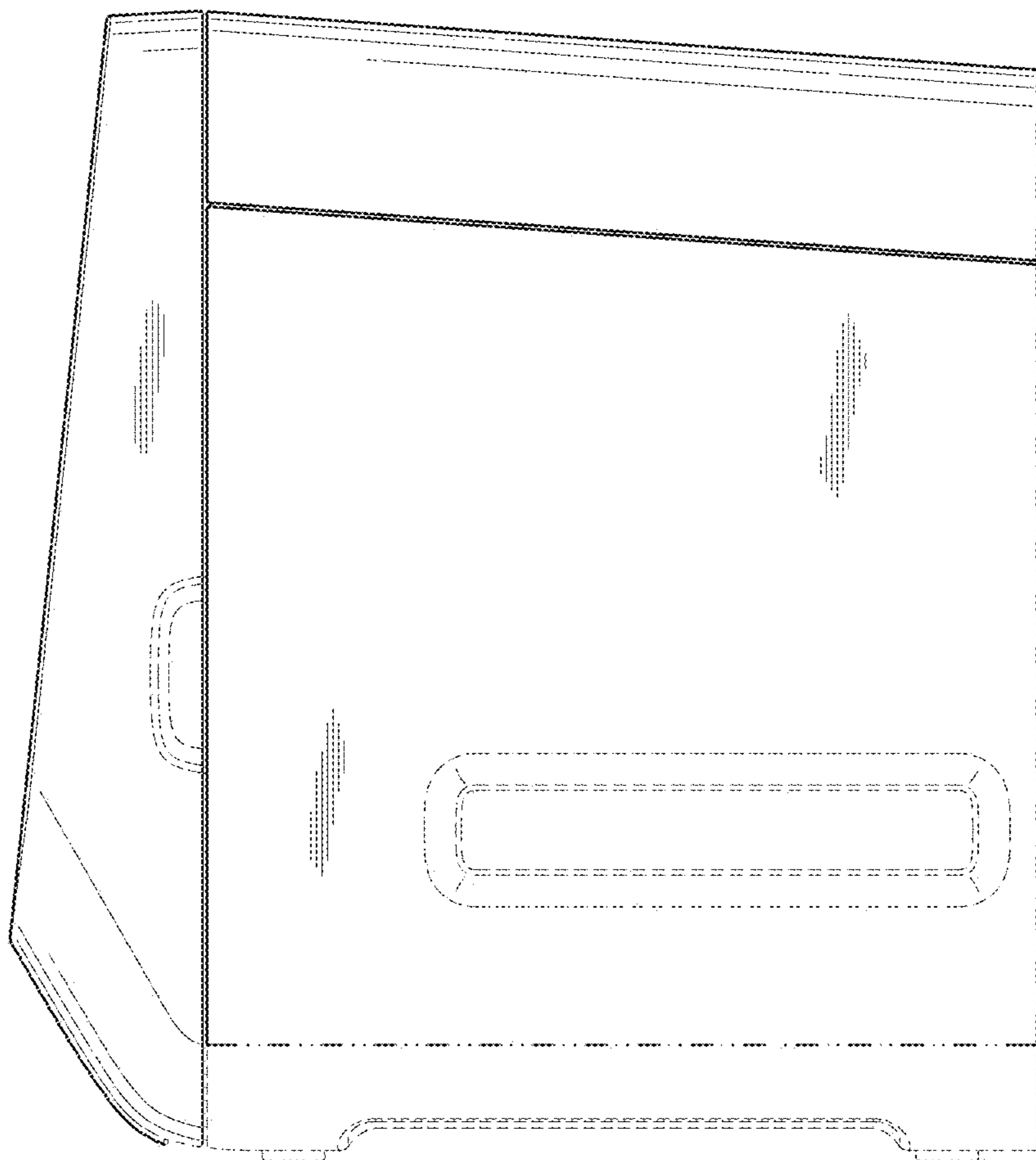


FIG. 5

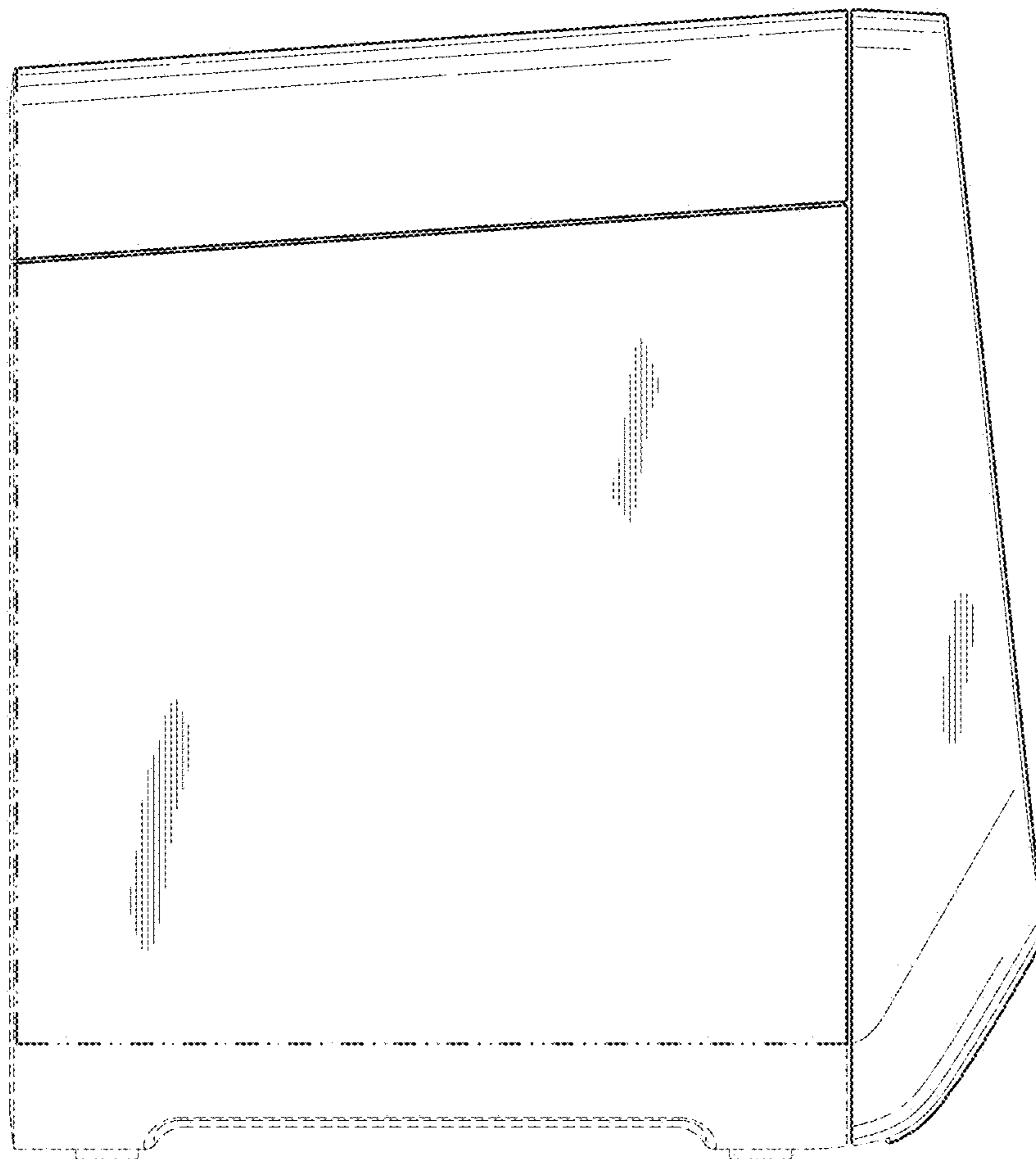


FIG. 6

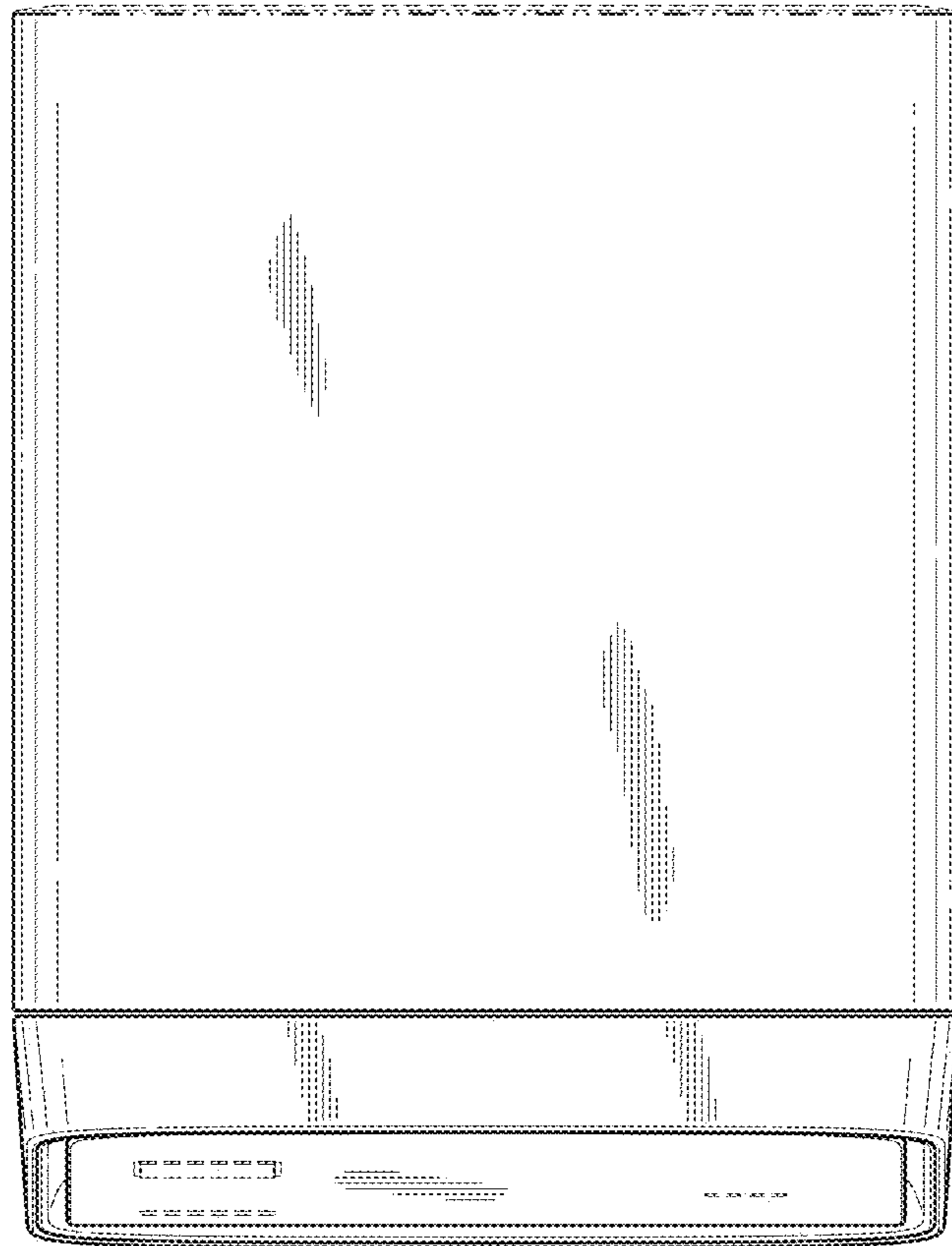


FIG. 7

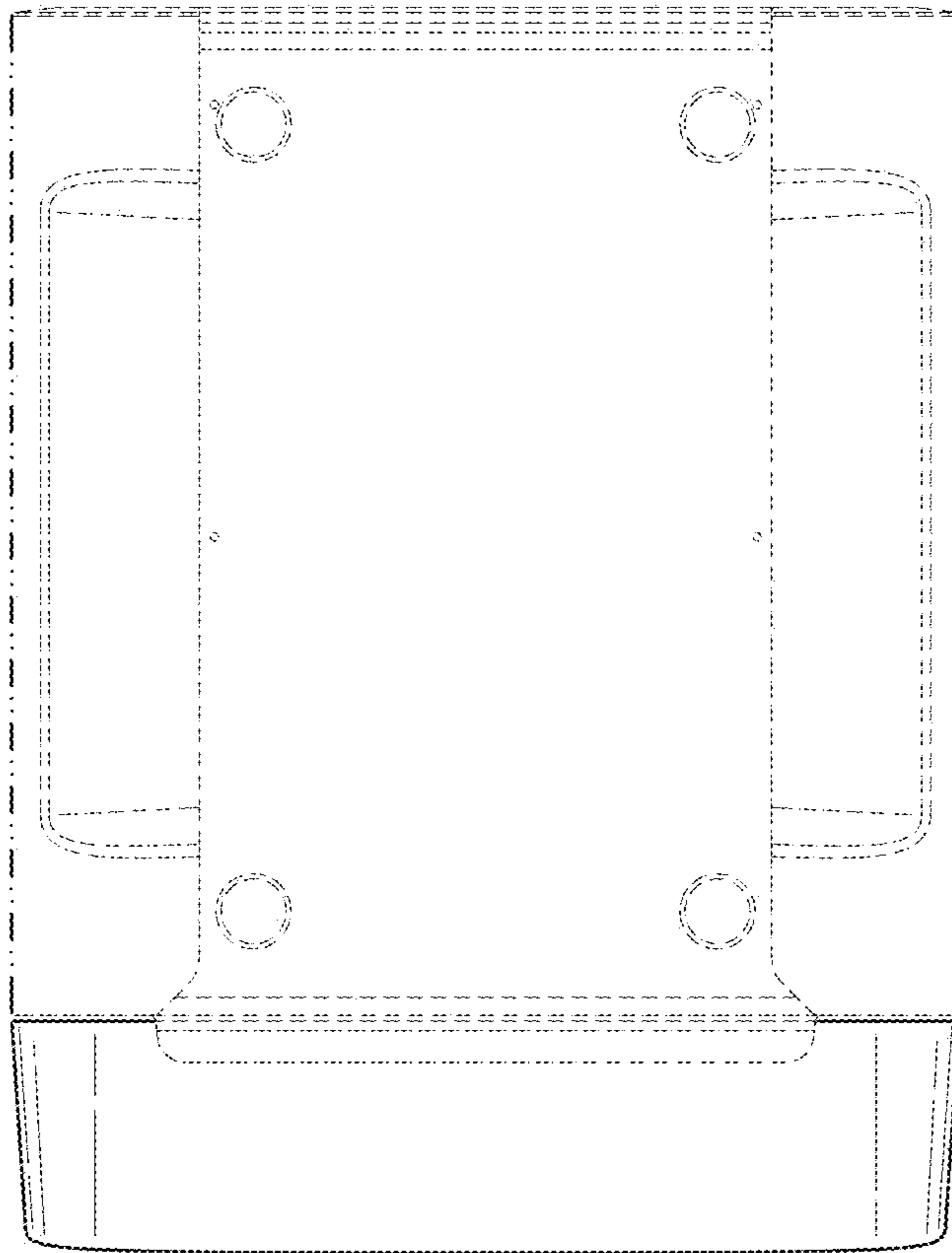


FIG. 8