



US00D728124S

(12) **United States Design Patent**
Oonuma et al.

(10) **Patent No.:** **US D728,124 S**

(45) **Date of Patent:** **** *Apr. 28, 2015**

(54) **PORTION OF A BIOCHEMICAL ANALYZER**

D670,400 S * 11/2012 O'Sullivan et al. D24/216
D681,226 S * 4/2013 Oonuma et al. D24/216
D681,227 S * 4/2013 Oonuma et al. D24/216

(71) Applicant: **Hitachi High-Technologies Corporation, Tokyo (JP)**

* cited by examiner

(72) Inventors: **Mitsuru Oonuma, Tokyo (JP); Yoko Sato, Fuchu (JP); Akihito Wakui, Hitachinaka (JP); Hajime Yamazaki, Hitachinaka (JP)**

Primary Examiner — Wan Laymon

(74) *Attorney, Agent, or Firm* — Baker Botts L.L.P.

(73) Assignee: **Hitachi High-Technologies Corporation, Tokyo (JP)**

(57) **CLAIM**

We claim the ornamental design for a portion of a biochemical analyzer, as shown and described.

(*) Notice: This patent is subject to a terminal disclaimer.

DESCRIPTION

(**) Term: **14 Years**

The patent or application file contains at least one drawing executed in color. Copies of this patent or patent application publication with color drawing(s) will be provided by the Office upon request and payment of the necessary fee.

(21) Appl. No.: **29/456,765**

FIG. 1 is a front, top and right side perspective view of a portion of a biochemical analyzer showing our new design, and the drawing shows features of the invention in the color blue;

(22) Filed: **Jun. 4, 2013**

FIG. 2 is a front elevational view thereof, and the drawing shows features of the invention in the color blue;

(30) **Foreign Application Priority Data**

Dec. 6, 2012 (JP) 2012-029879

FIG. 3 is a rear elevational view thereof, and the drawing shows features of the invention in the color blue;

(51) **LOC (10) Cl.** **24-01**

FIG. 4 is a left side elevational view thereof;

(52) **U.S. Cl.**
USPC **D24/232; D24/216**

FIG. 5 is a right side elevational view thereof, the drawing showing features of the invention in the color blue;

(58) **Field of Classification Search**
USPC D24/216–217, 219, 223–224, 231–233,
D24/107, 111, 127, 169, 186; D10/46, 81;
422/62–65, 67, 70, 81, 500, 506, 561;
436/43, 45, 47; 435/287.1, 287.3
See application file for complete search history.

FIG. 6 is a top plan view thereof, and the drawing shows features of the invention in the color blue;

FIG. 7 is a bottom plan view thereof;

(56) **References Cited**

U.S. PATENT DOCUMENTS

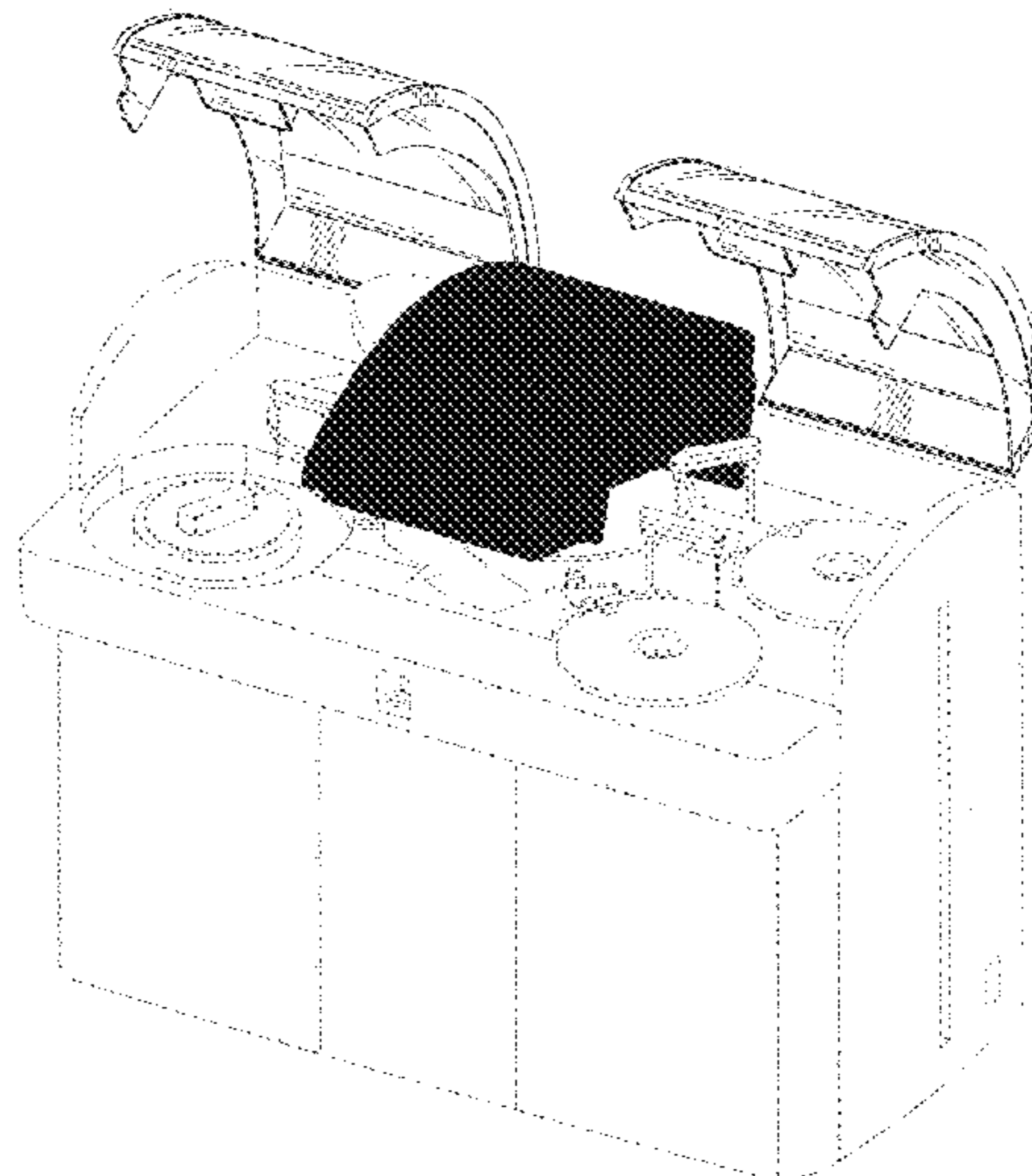
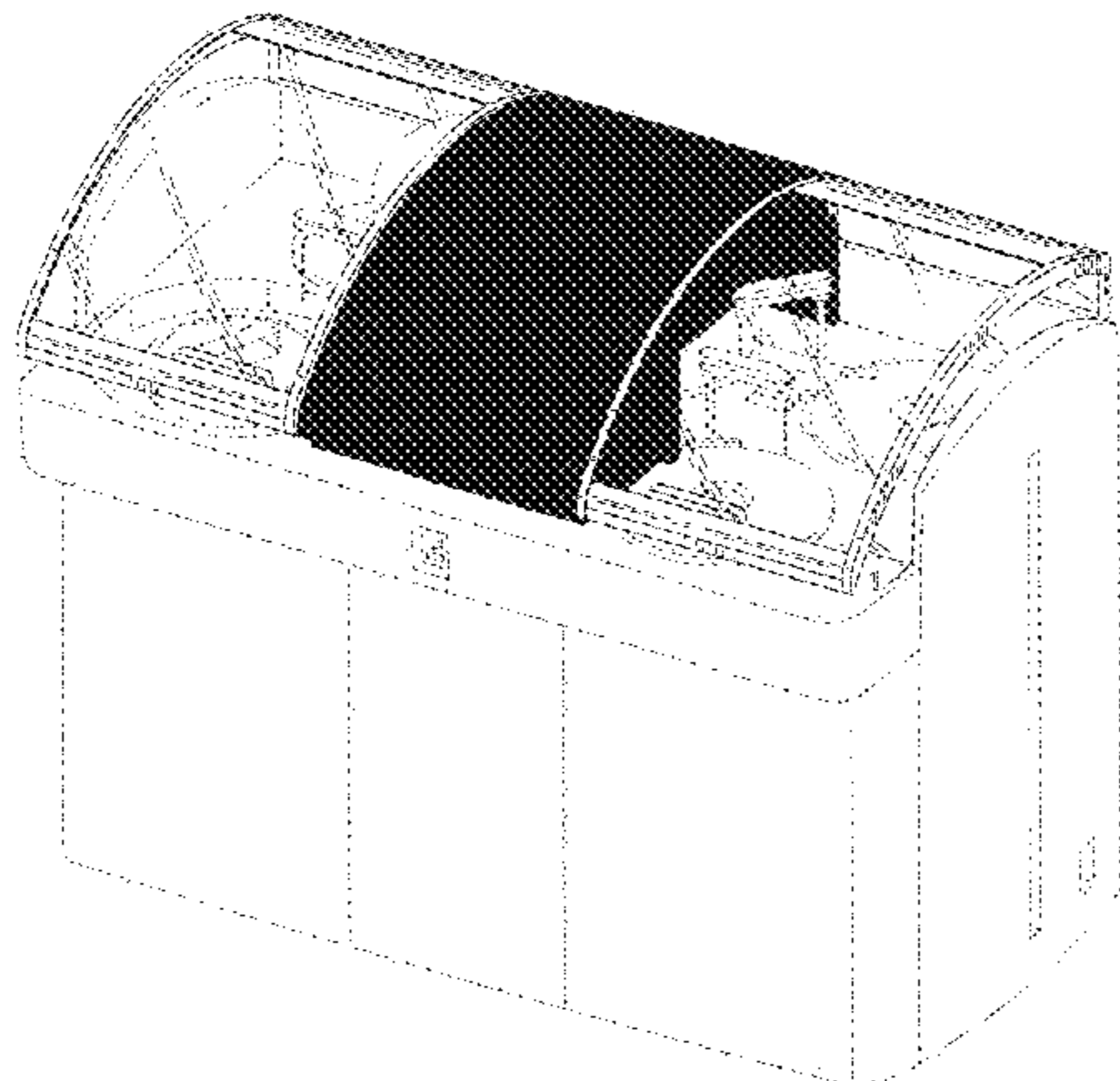
D339,639 S * 9/1993 Ohnuma et al. D24/232
6,841,126 B2 * 1/2005 Oonuma et al. 422/561
D560,131 S * 1/2008 Hu D24/186
D645,367 S * 9/2011 Hayashi et al. D10/81

FIG. 8 is a cross sectional view taken along the lines 8-8 of FIG. 5, and the drawing shows features of the invention in the color blue; and,

FIG. 9 is a reference front, top and right side perspective view thereof shown in an opened position, and the drawing shows features of the invention in the color blue.

The broken lines shown are for illustrative purposes only and form no part of the claimed design.

1 Claim, 7 Drawing Sheets
(7 of 7 Drawing Sheet(s) Filed in Color)



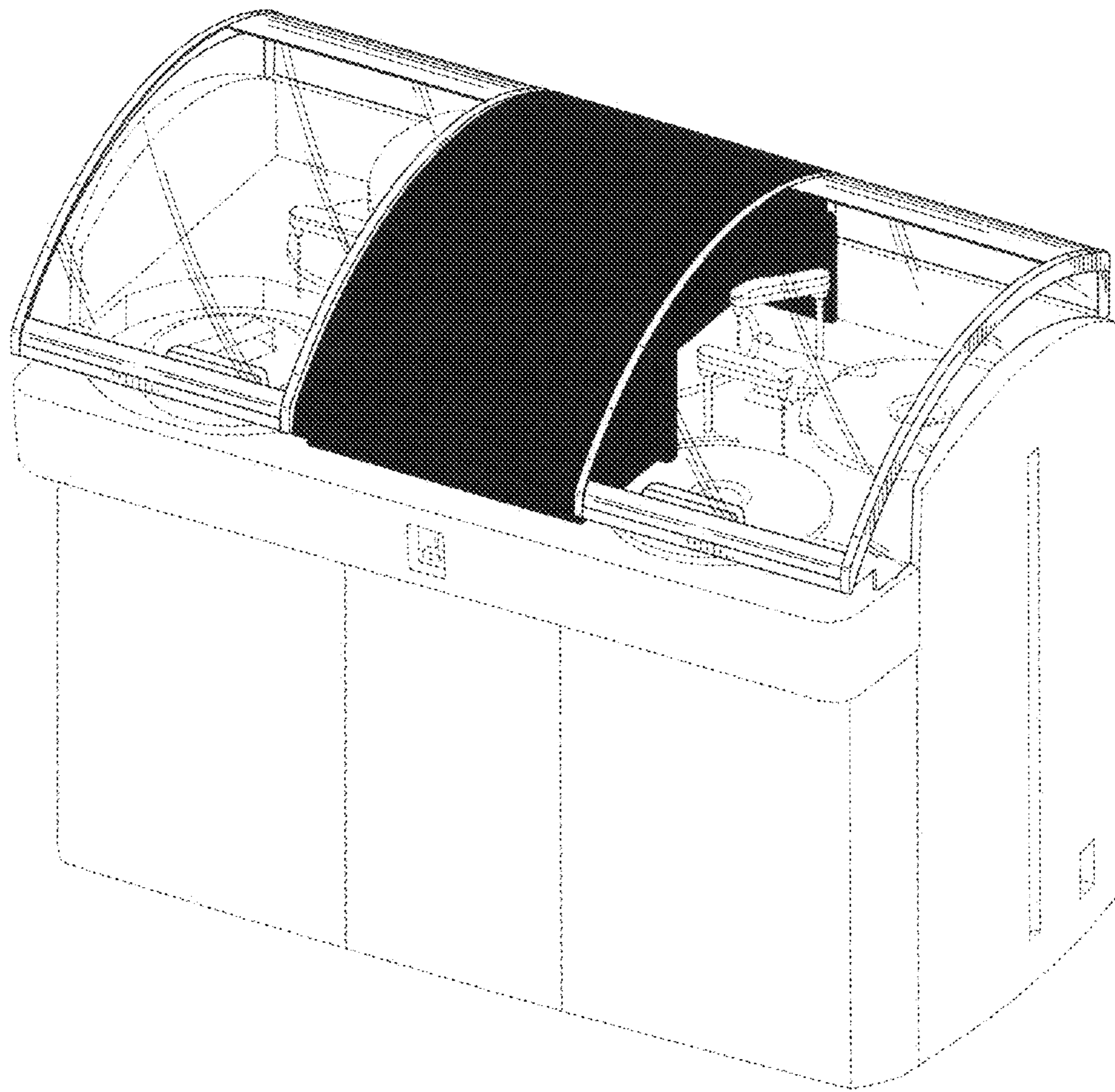


FIG. 1

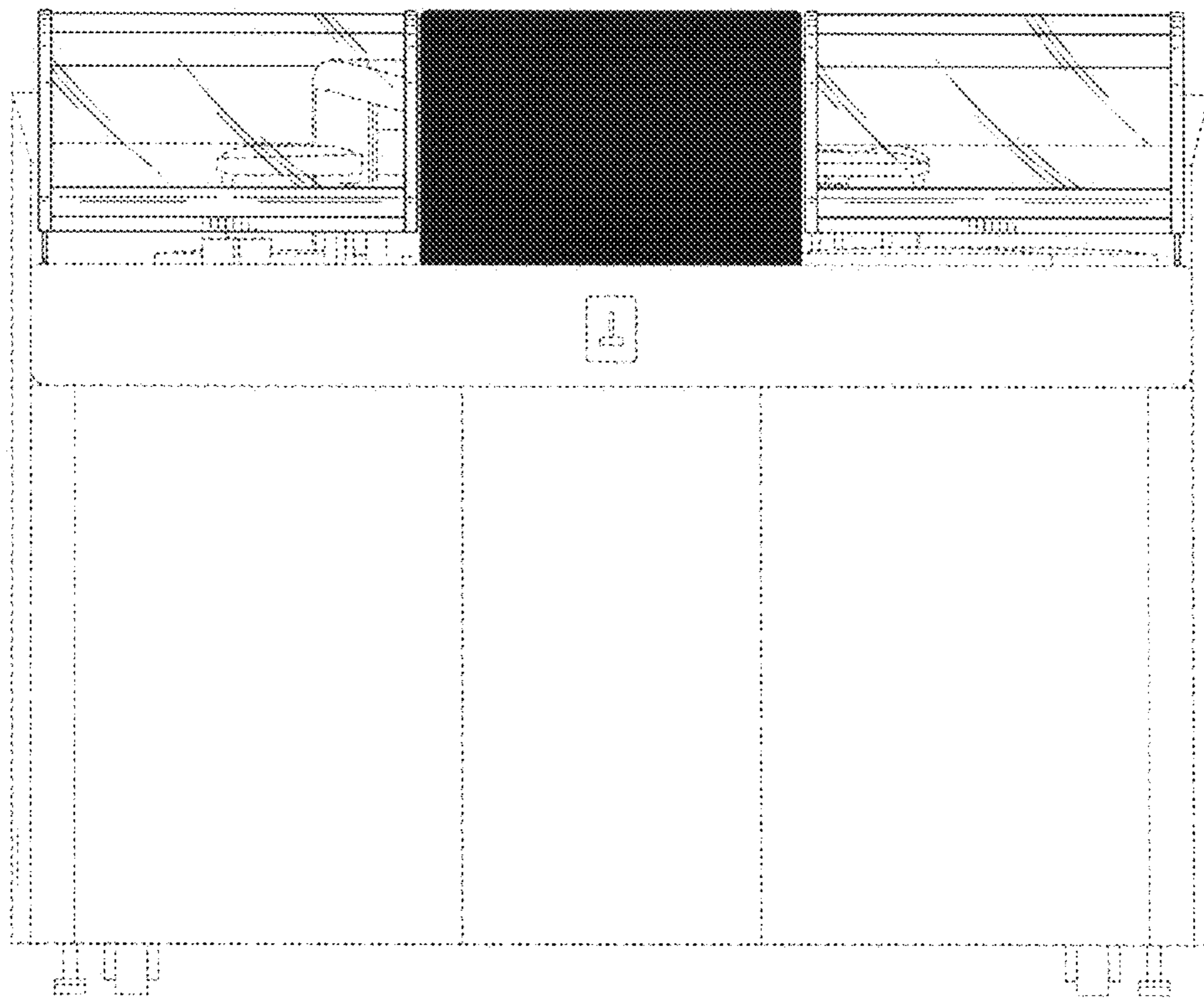


FIG. 2

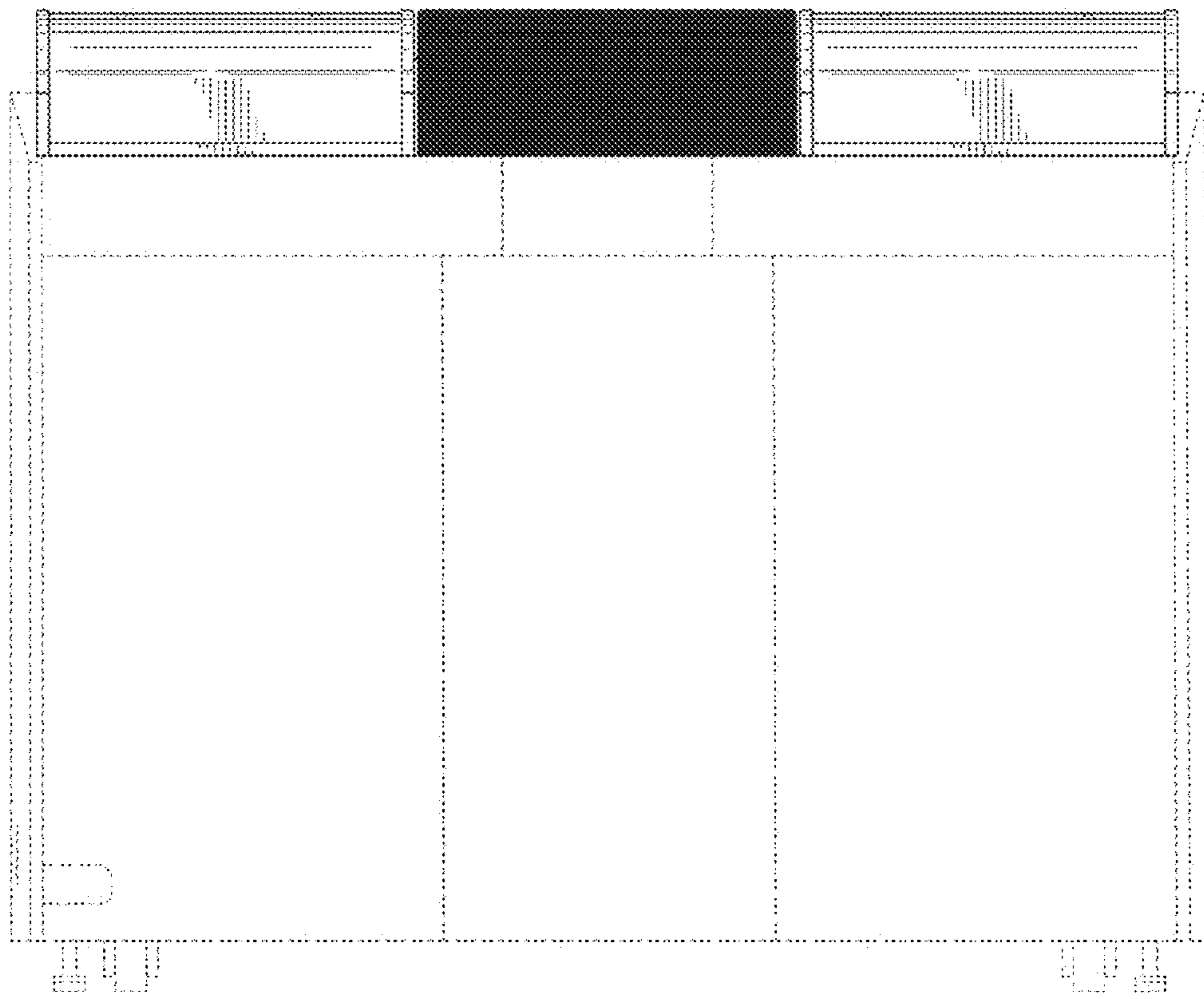


FIG. 3

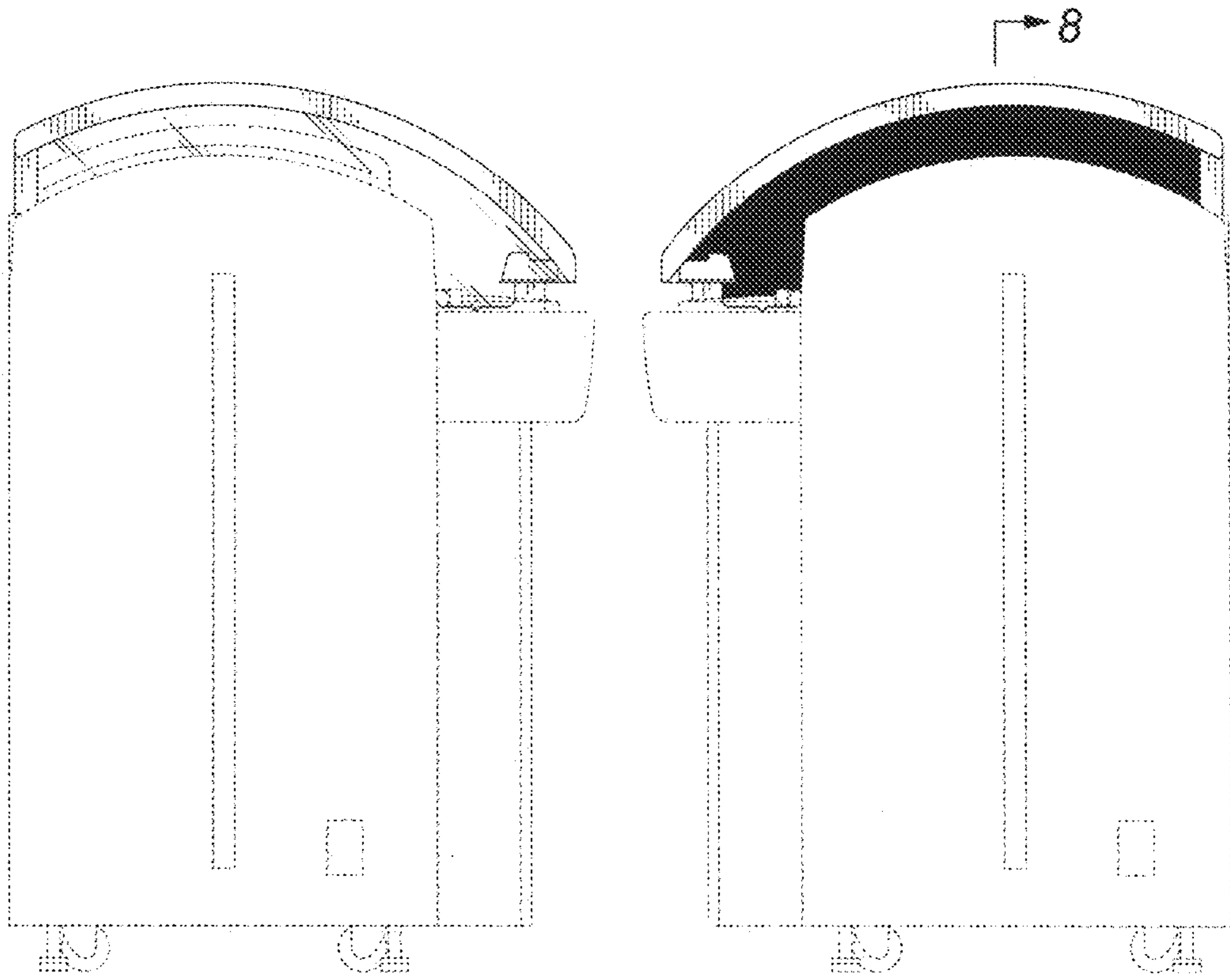


FIG. 4

FIG. 5

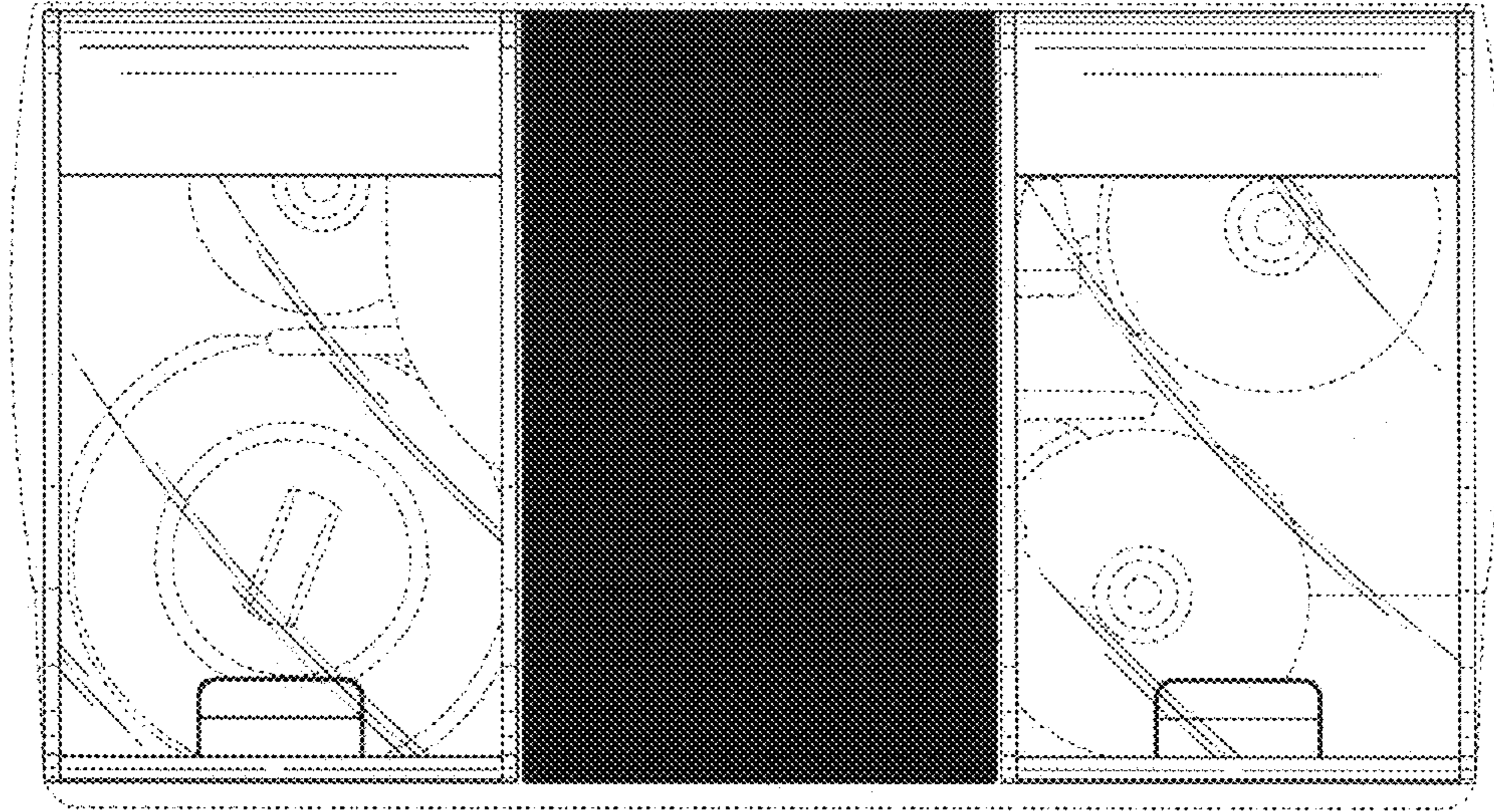


FIG. 6

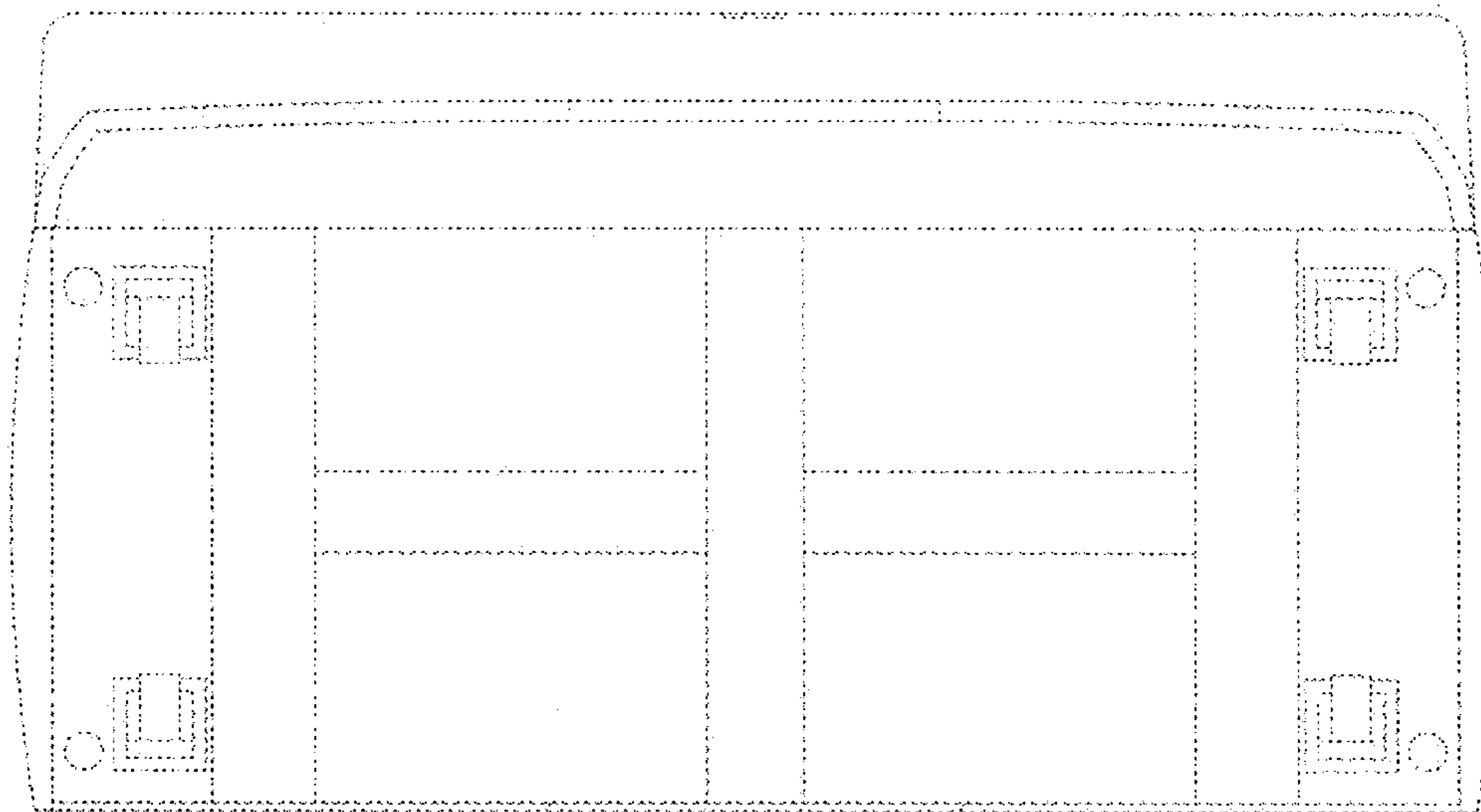


FIG. 7

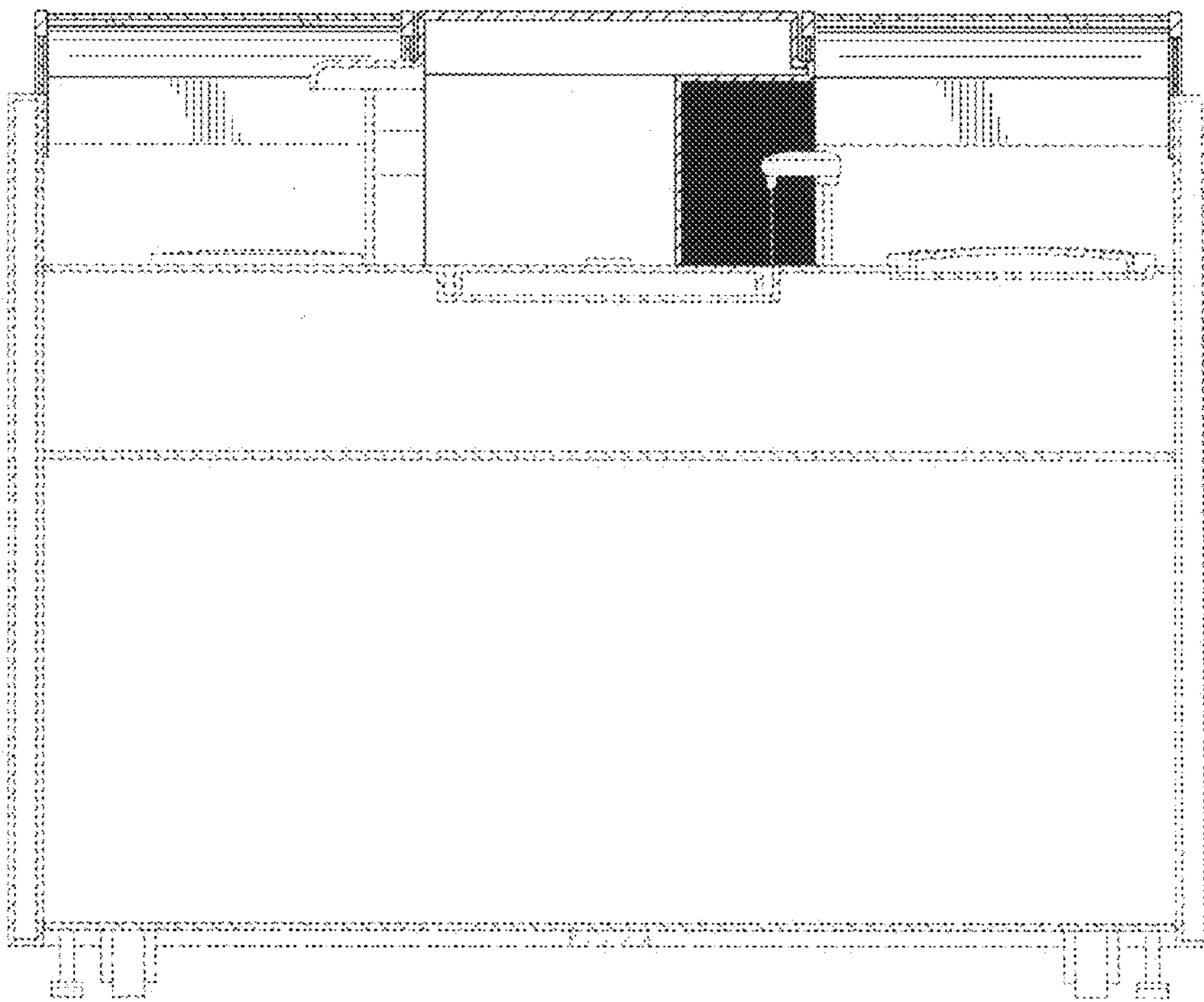


FIG. 8

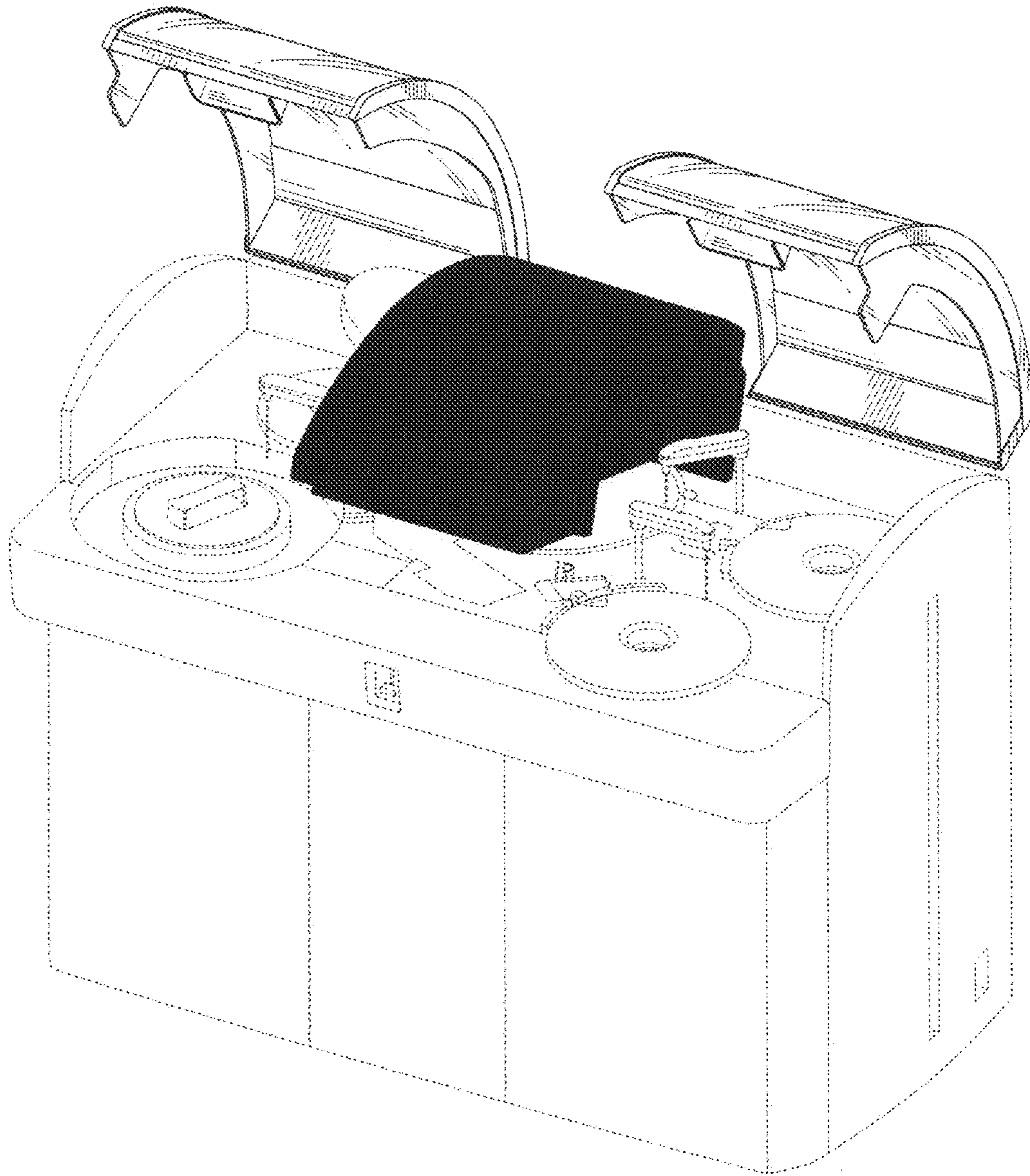


FIG. 9