



US00D728123S

(12) **United States Design Patent**
Cullimore

(10) **Patent No.:** **US D728,123 S**

(45) **Date of Patent:** **** Apr. 28, 2015**

(54) **STORAGE DEVICE FOR MICROORGANISMS**

(71) Applicant: **D. Roy Cullimore**, Saskatchewan (CA)

(72) Inventor: **D. Roy Cullimore**, Saskatchewan (CA)

(**) Term: **14 Years**

(21) Appl. No.: **29/460,649**

(22) Filed: **Jul. 12, 2013**

(51) **LOC (10) Cl.** **24-02**

(52) **U.S. Cl.**
USPC **D24/224**

(58) **Field of Classification Search**
USPC D24/216, 223–232, 107, 169, 186;
D10/81; 206/446, 443; 422/63–67,
422/68.1, 104, 560–561; 211/74;
435/297.5, 297.1, 305.3, 305.4, 305.2,
435/304.1, 30

See application file for complete search history.

(56) **References Cited**

U.S. PATENT DOCUMENTS

D258,761	S	*	3/1981	Graham	D24/226
4,668,633	A	*	5/1987	Walton	435/305.2
D295,319	S	*	4/1988	Franchere et al.	D24/224
D301,737	S	*	6/1989	Powers	D24/224
D303,428	S	*	9/1989	Wada et al.	D24/224
D316,753	S	*	5/1991	Ricketts	D24/224
5,366,893	A	*	11/1994	Stevens et al.	435/297.5
D360,698	S	*	7/1995	Stevens et al.	D24/224
D362,184	S	*	9/1995	Carr	D24/224
5,468,638	A	*	11/1995	Barker et al.	435/304.1

D377,984	S	*	2/1997	Lahm et al.	D24/227
D378,941	S	*	4/1997	Lahm et al.	D24/224
5,652,142	A	*	7/1997	Barker et al.	435/297.1
5,700,655	A	*	12/1997	Croteau et al.	435/30
5,710,043	A	*	1/1998	Pay	435/297.5
5,766,937	A	*	6/1998	Lahm et al.	435/297.5
5,792,654	A	*	8/1998	Bohannon et al.	435/305.3
D404,497	S	*	1/1999	Lahm et al.	D24/224
D425,624	S	*	5/2000	Choi	D24/216
D563,560	S	*	3/2008	Copeland	D24/224
D578,654	S	*	10/2008	Chianea	D24/224
7,713,734	B2	*	5/2010	Ghosh et al.	435/305.4
D674,505	S	*	1/2013	Cecchi	D24/224

* cited by examiner

Primary Examiner — T. Chase Nelson

Assistant Examiner — Mark Cavanna

(74) *Attorney, Agent, or Firm* — Rodgers & Rodgers

(57) **CLAIM**

The ornamental design for a storage device for microorganisms, as shown and described.

DESCRIPTION

FIG. 1 is a perspective view of a storage device for microorganisms showing my new design;

FIG. 2 is an exploded perspective view thereof;

FIG. 3 is an exploded elevational view thereof;

FIG. 4 is a top plan view thereof;

FIG. 5 is a left-side elevational view thereof;

FIG. 6 is a front elevational view thereof;

FIG. 7 is right-side elevational view thereof;

FIG. 8 is a rear elevational view thereof; and,

FIG. 9 is a bottom plan view thereof.

1 Claim, 4 Drawing Sheets

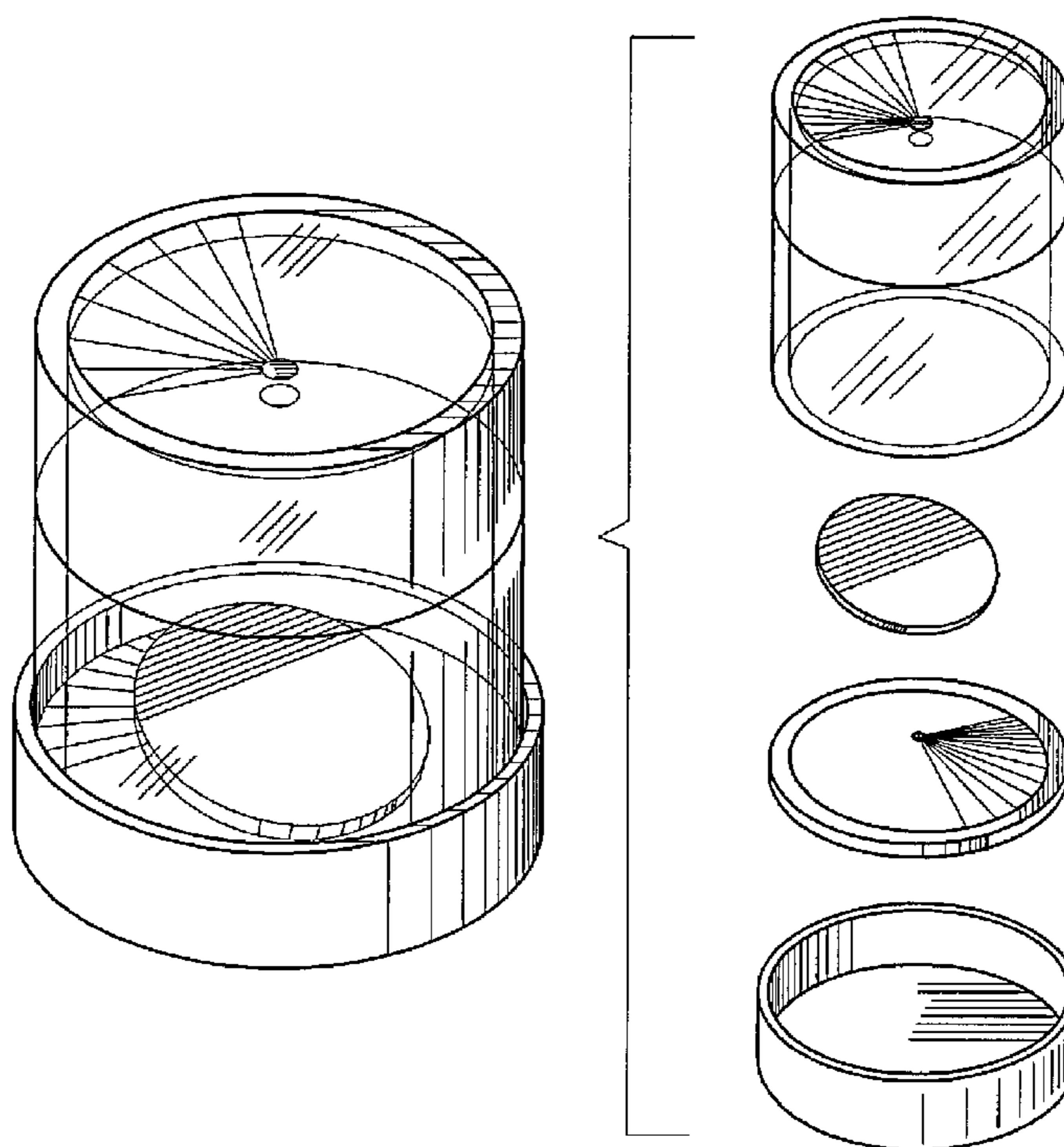


Fig 1

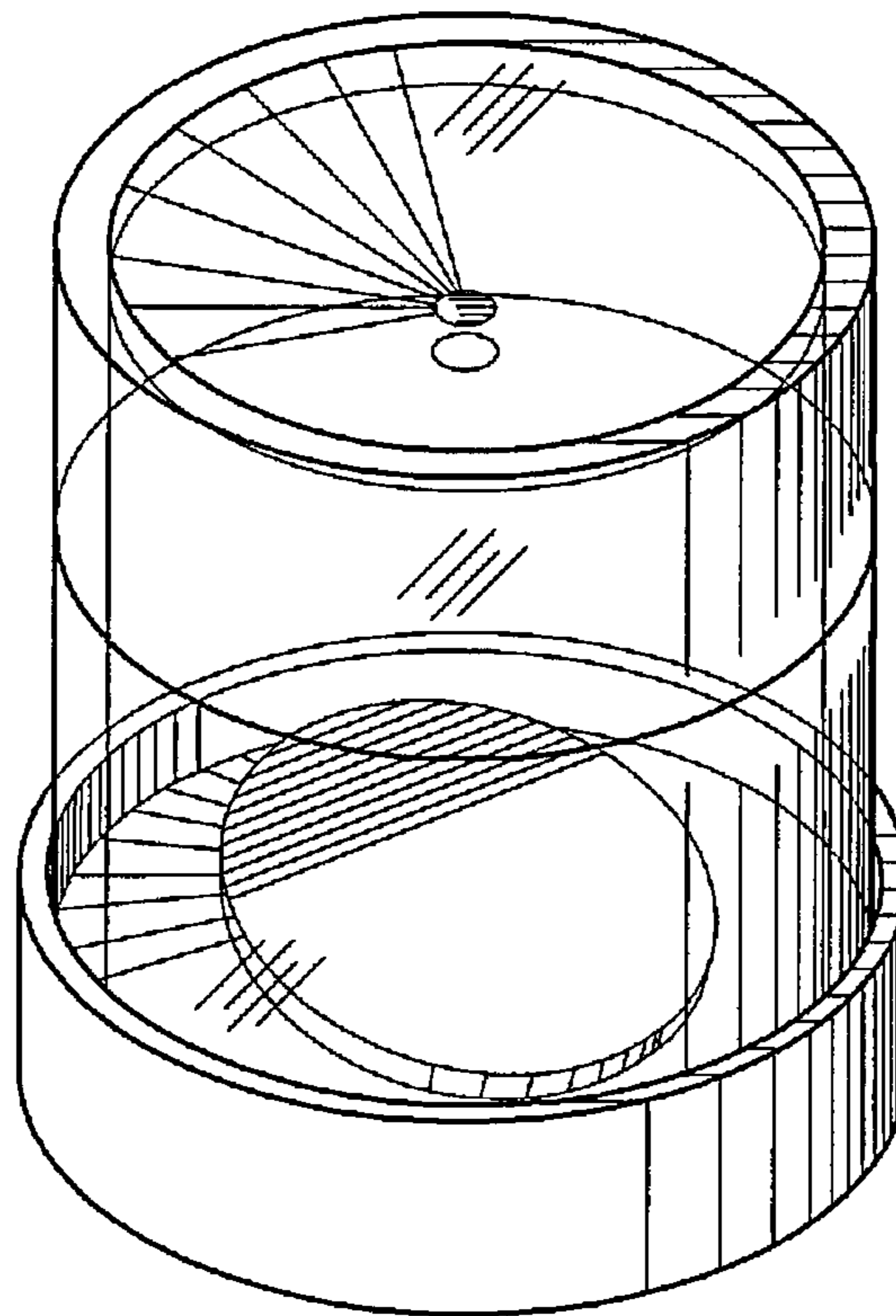


Fig 2

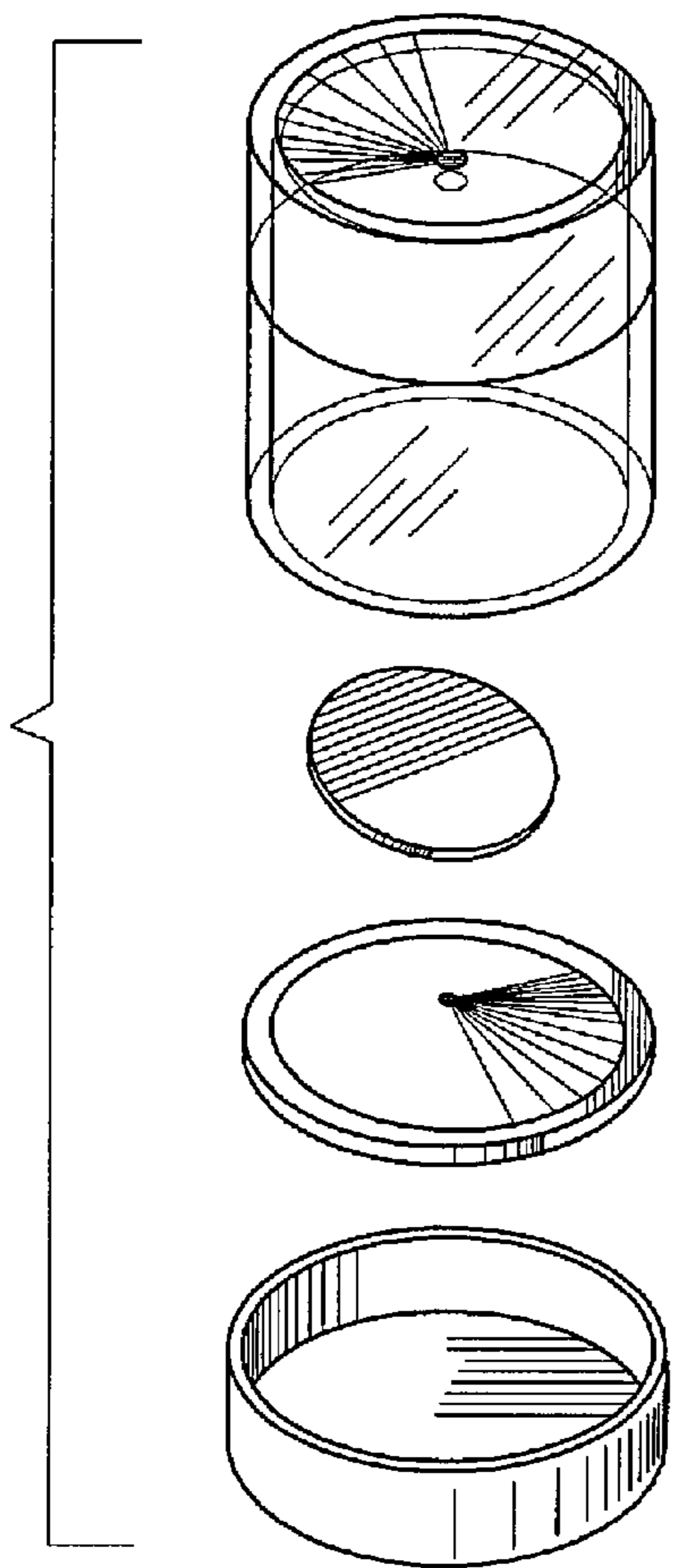


Fig 3

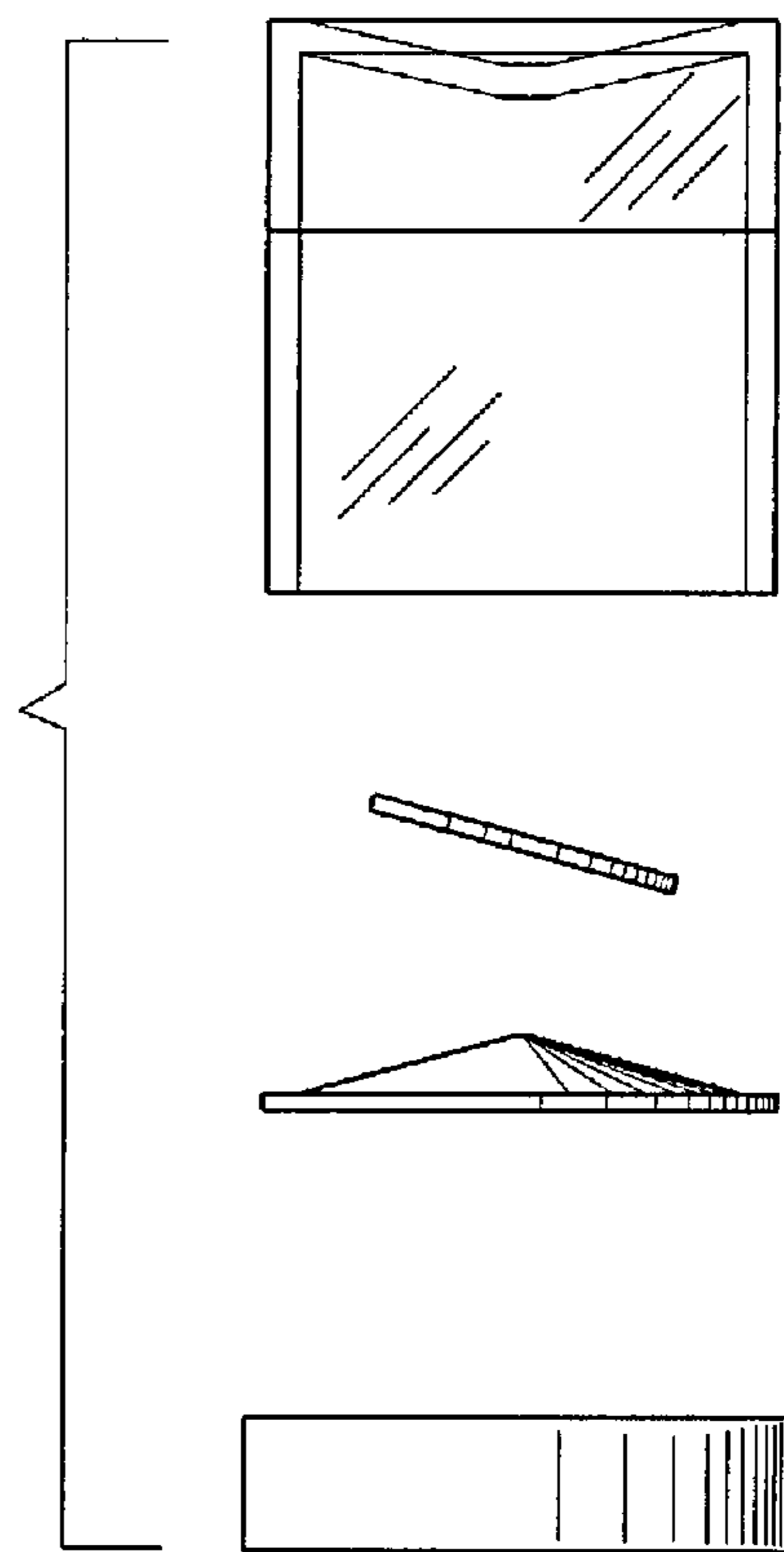


Fig 4

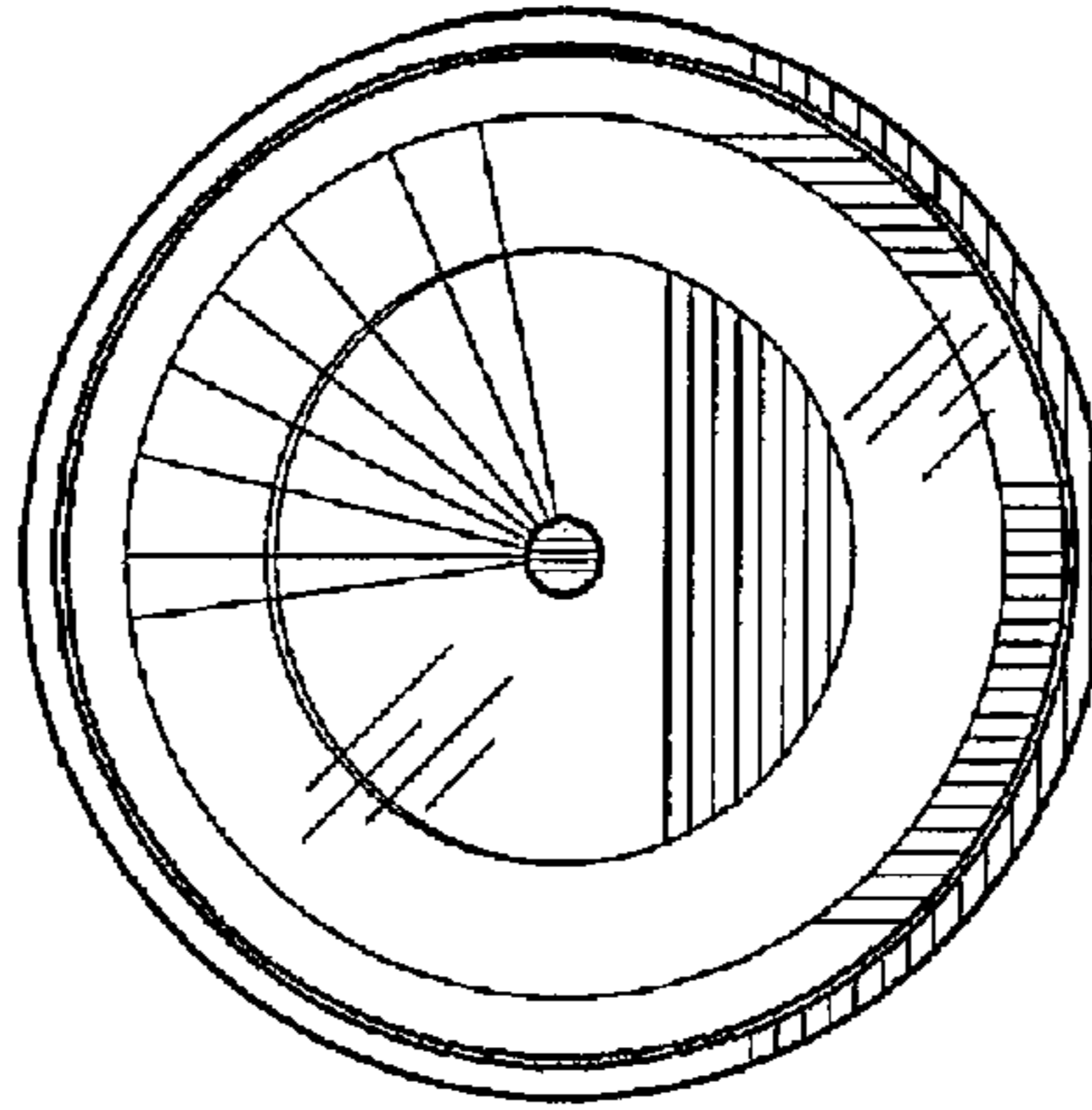


Fig 5

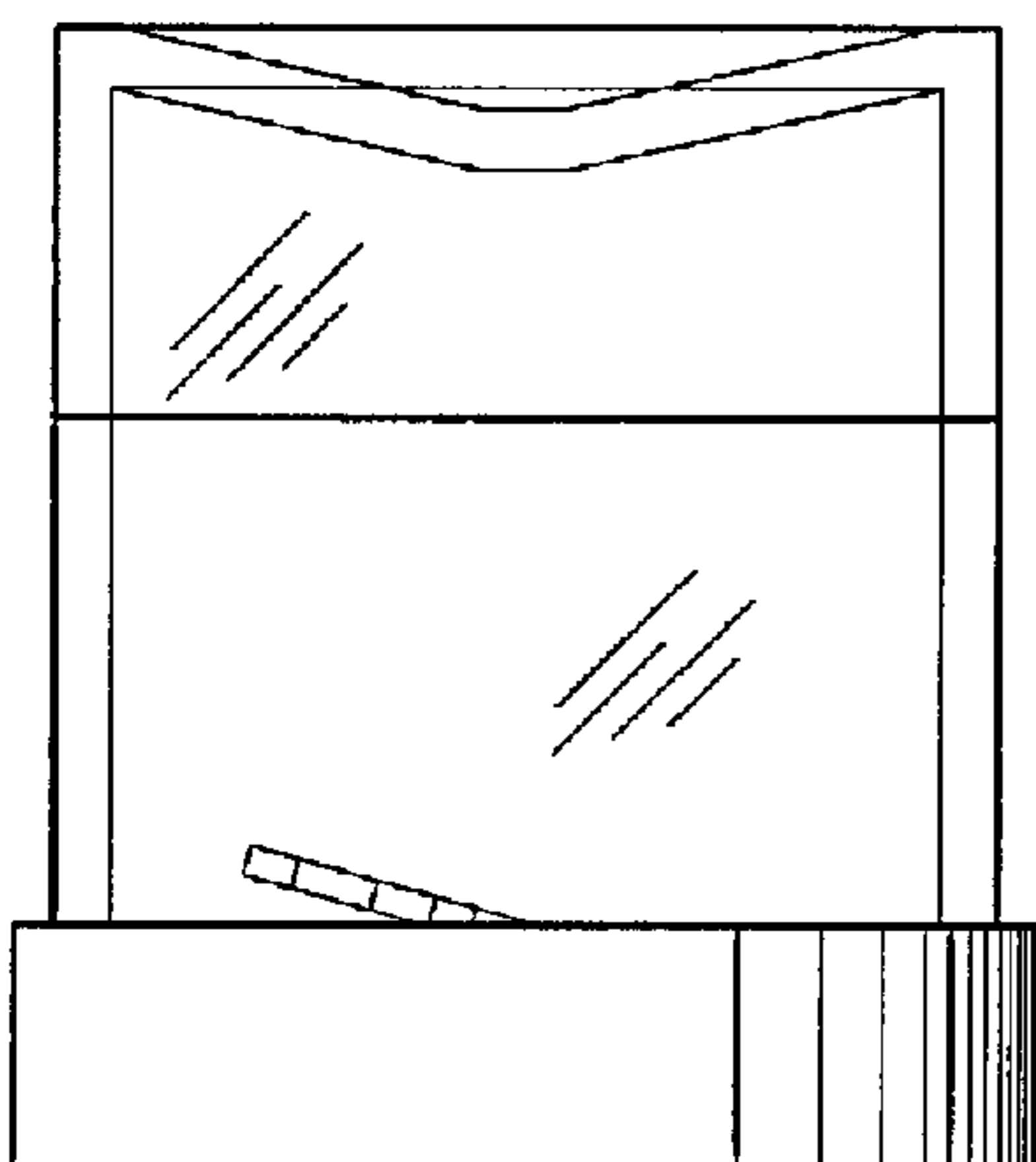


Fig 6

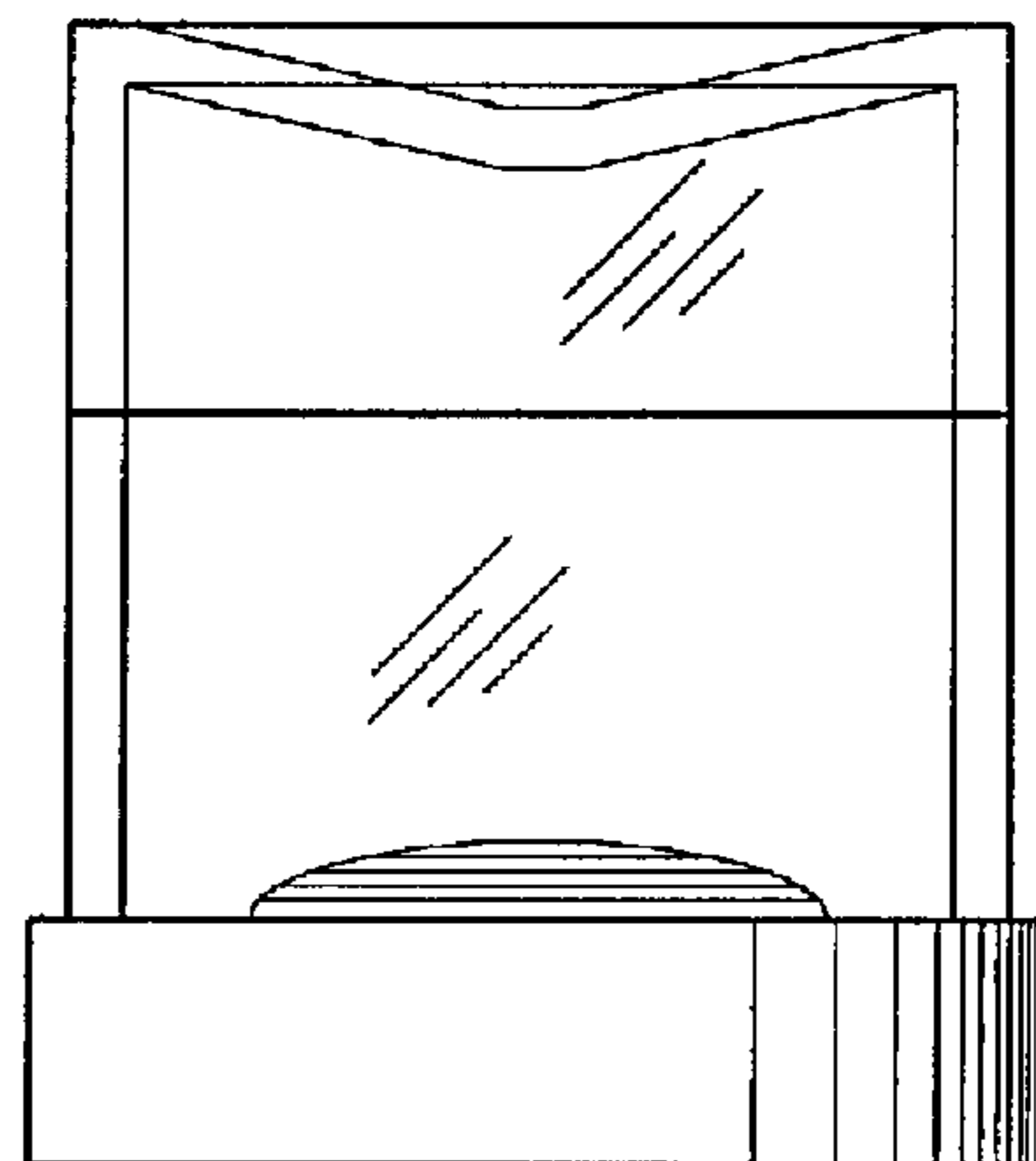


Fig 7

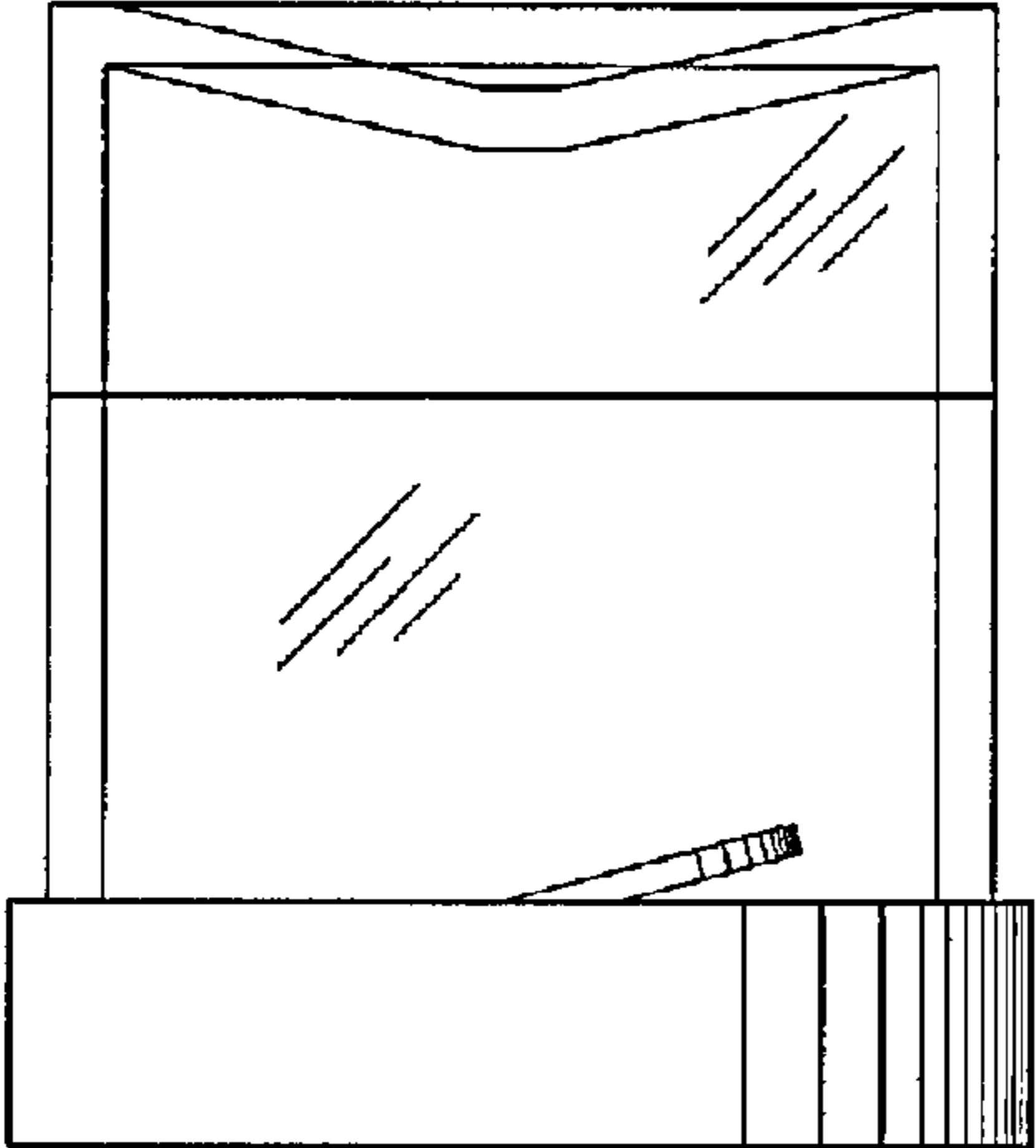


Fig 8

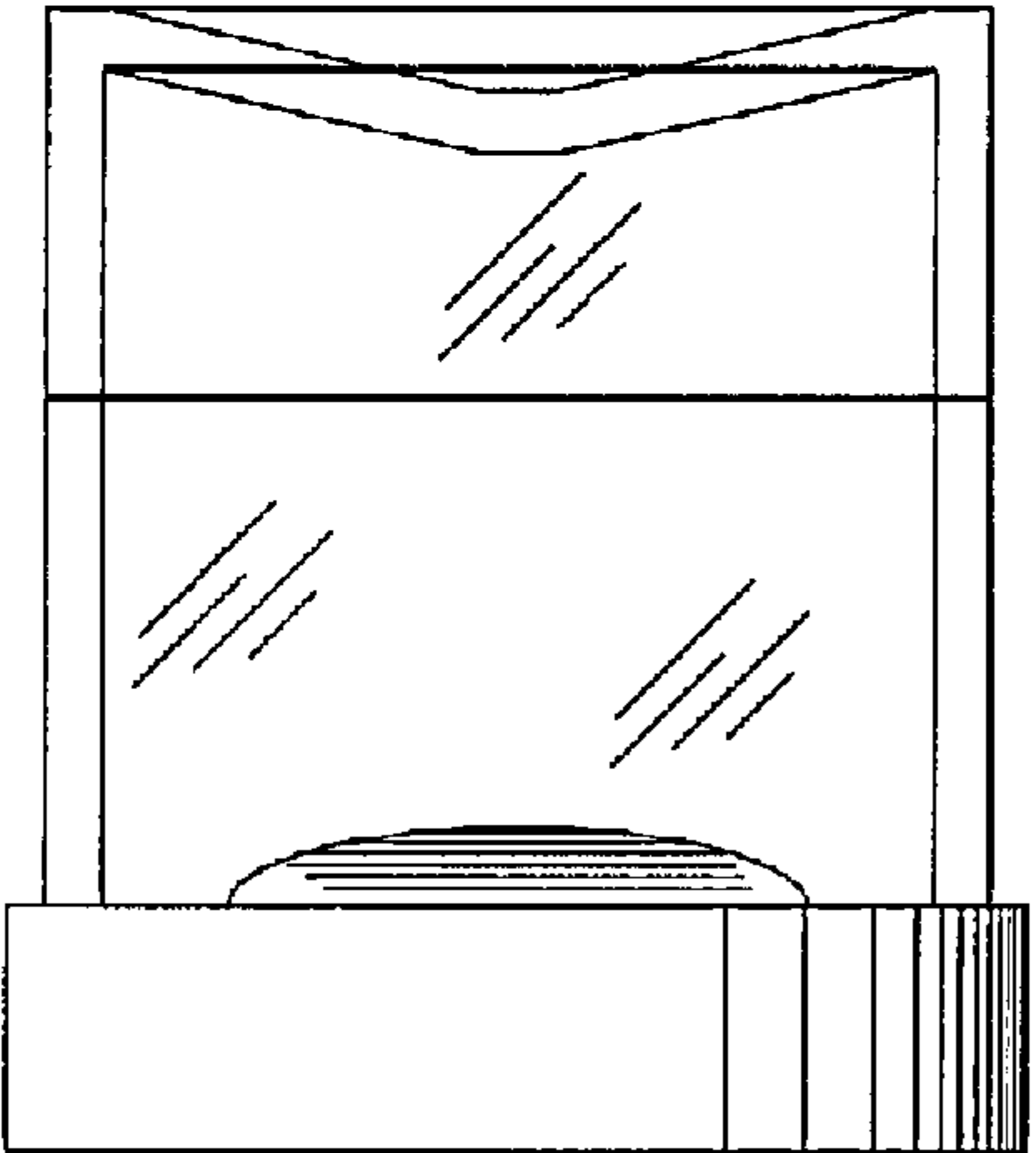


Fig 9

