



US00D728121S

(12) **United States Design Patent**
Cook et al.

(10) **Patent No.:** **US D728,121 S**
(45) **Date of Patent:** **** Apr. 28, 2015**

(54) **DIAGNOSTIC INSTRUMENT WITH A
DISPLAY SCREEN**

- (71) Applicant: **Wellstat Diagnostics, LLC**,
Gaithersburg, MD (US)
- (72) Inventors: **Richard Cook**, Derwood, MD (US);
Michael D. Nelson, Seattle, WA (US);
Nadine Wohlstadter, Madison, VA (US)
- (73) Assignee: **Wellstat Diagnostics, LLC**,
Gaithersburg, MD (US)
- (**) Term: **14 Years**
- (21) Appl. No.: **29/470,708**
- (22) Filed: **Oct. 24, 2013**

Related U.S. Application Data

- (62) Division of application No. 29/420,956, filed on May 15, 2012, now Pat. No. Des. 694,899.
- (51) **LOC (10) Cl.** **24-01**
- (52) **U.S. Cl.**
USPC **D24/216**
- (58) **Field of Classification Search**
USPC D24/216, 223, 224, 225, 226, 186, 232;
D10/81; 435/288.7, 308.1, 287.1,
435/287.3, 288.3; 422/547, 549, 500, 556,
422/557, 554, 565, 68.1

See application file for complete search history.

(56) **References Cited**

U.S. PATENT DOCUMENTS

4,791,461	A	*	12/1988	Kishimoto et al.	D24/223
D381,749	S	*	7/1997	Lawrence et al.	D24/232
D404,140	S	*	1/1999	Meguro	D24/232
D434,153	S	*	11/2000	Anderson et al.	D24/216
D467,349	S	*	12/2002	Niedbala et al.	D24/232
D489,816	S	*	5/2004	Ross	D24/186
8,008,091	B2	*	8/2011	Higashino et al.	422/500
D647,209	S	*	10/2011	Muller et al.	D24/216
8,046,175	B2	*	10/2011	Kuo et al.	422/63
D655,421	S	*	3/2012	Lee et al.	D24/216
D675,335	S	*	1/2013	Feuerabend et al.	D24/216
2010/0273248	A1	*	10/2010	Ha et al.	435/287.3

* cited by examiner

Primary Examiner — Anhdao Doan

(74) *Attorney, Agent, or Firm* — Finnegan, Henderson, Farabow, Garrett & Dunner, LLP

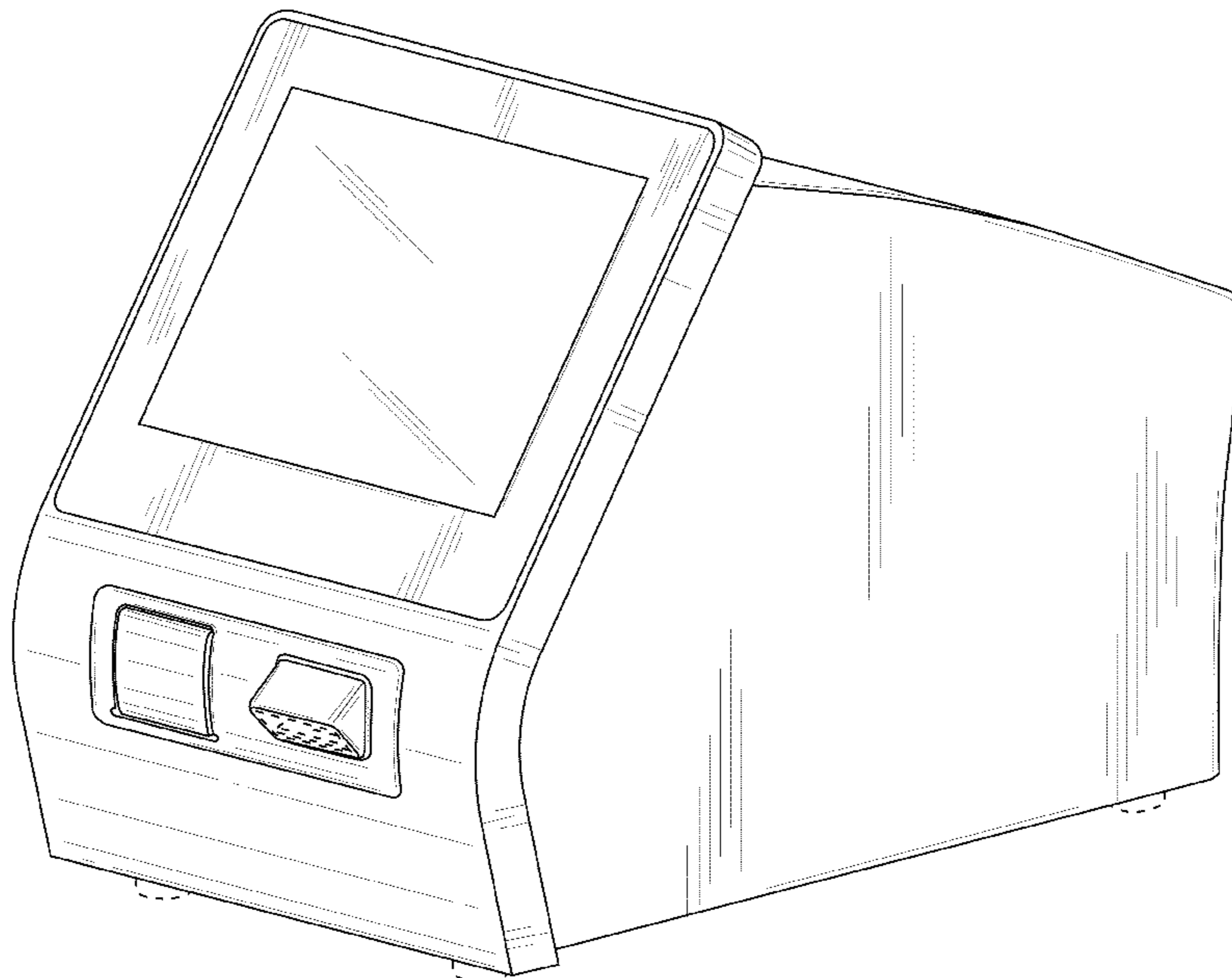
(57) **CLAIM**

The ornamental design for a diagnostic instrument with a display screen, as shown and described.

DESCRIPTION

FIG. 1 is a right front perspective view of a diagnostic instrument with a display screen showing our new design;
 FIG. 2 is a left rear perspective view thereof;
 FIG. 3 is a front view thereof;
 FIG. 4 is a rear view thereof;
 FIG. 5 is a left side view thereof;
 FIG. 6 is a right side view thereof; and,
 FIG. 7 is a top plan view thereof.
 The bottom view is plain and unornamented and is not part of the claimed design. The broken lines depict environmental structure and elements depicted in broken lines are not part of the claimed design.

1 Claim, 7 Drawing Sheets



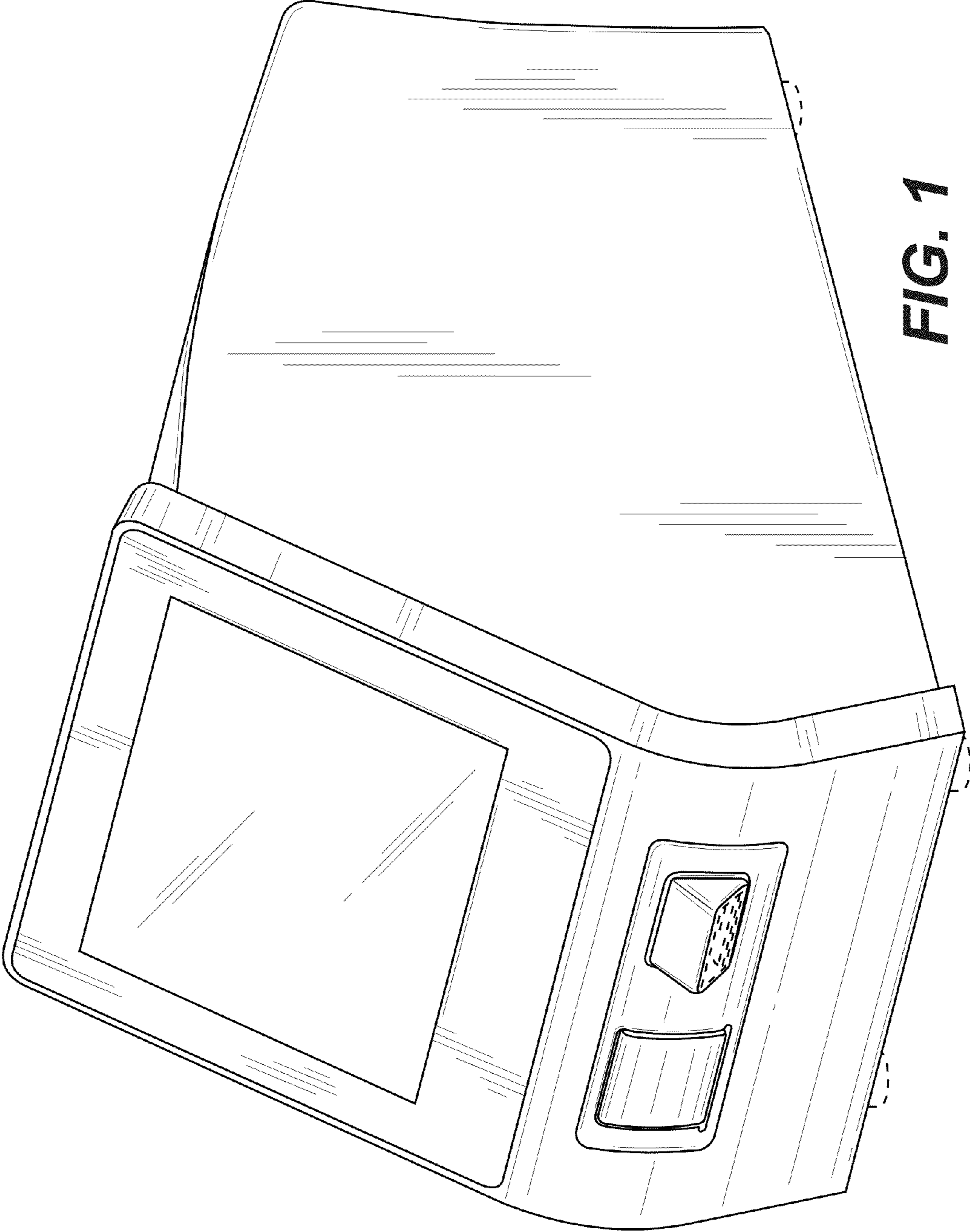


FIG. 1

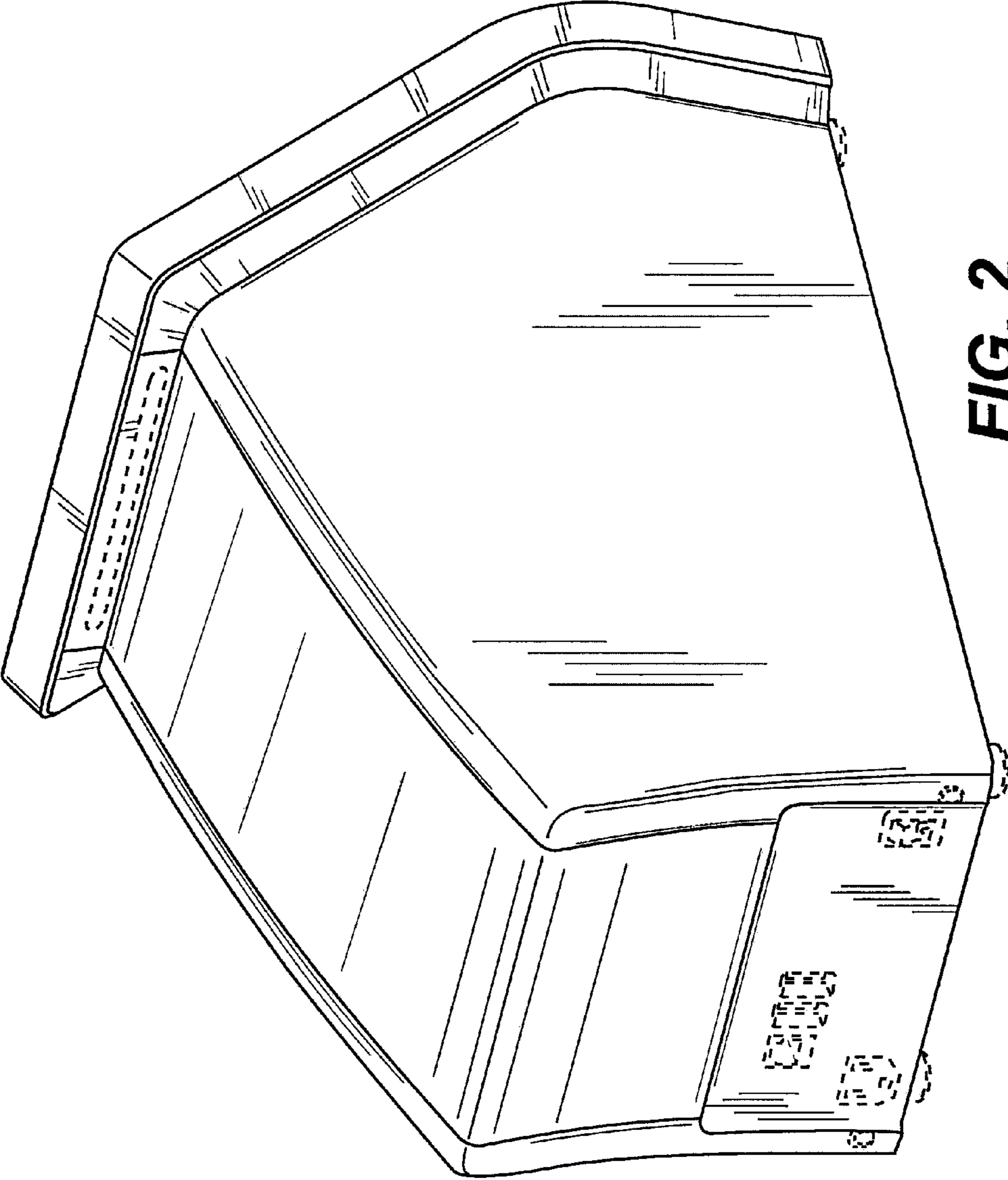


FIG. 2

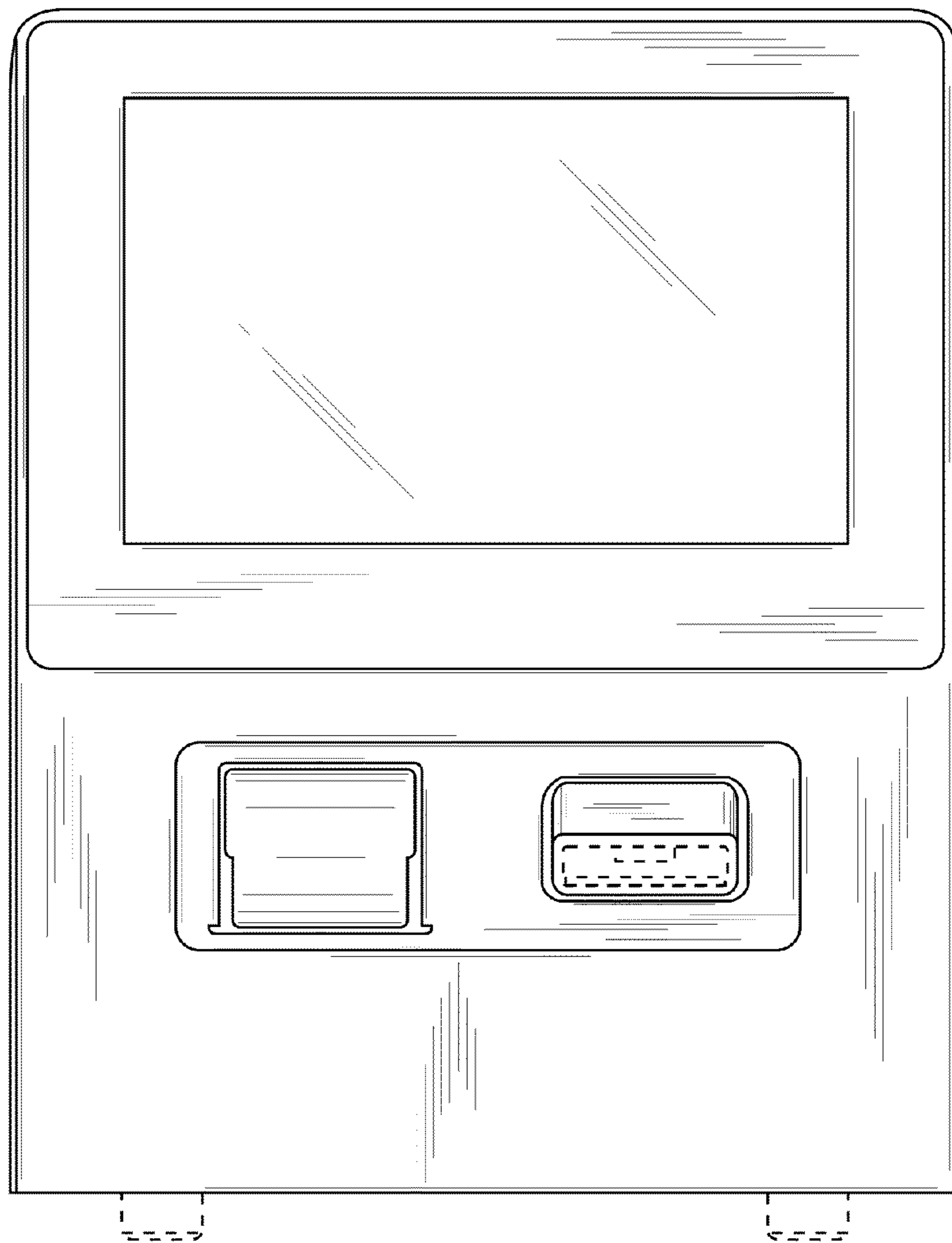


FIG. 3

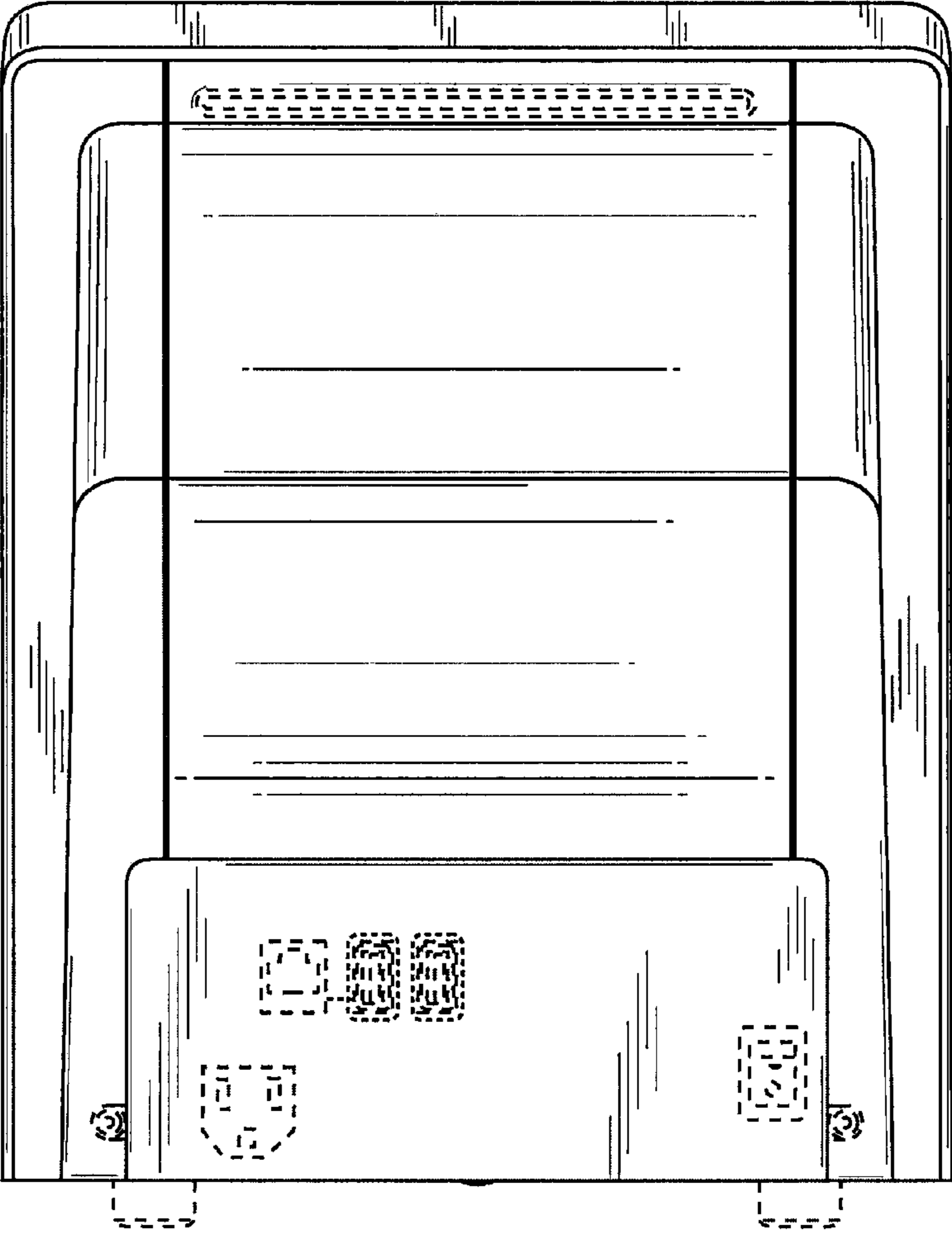


FIG. 4

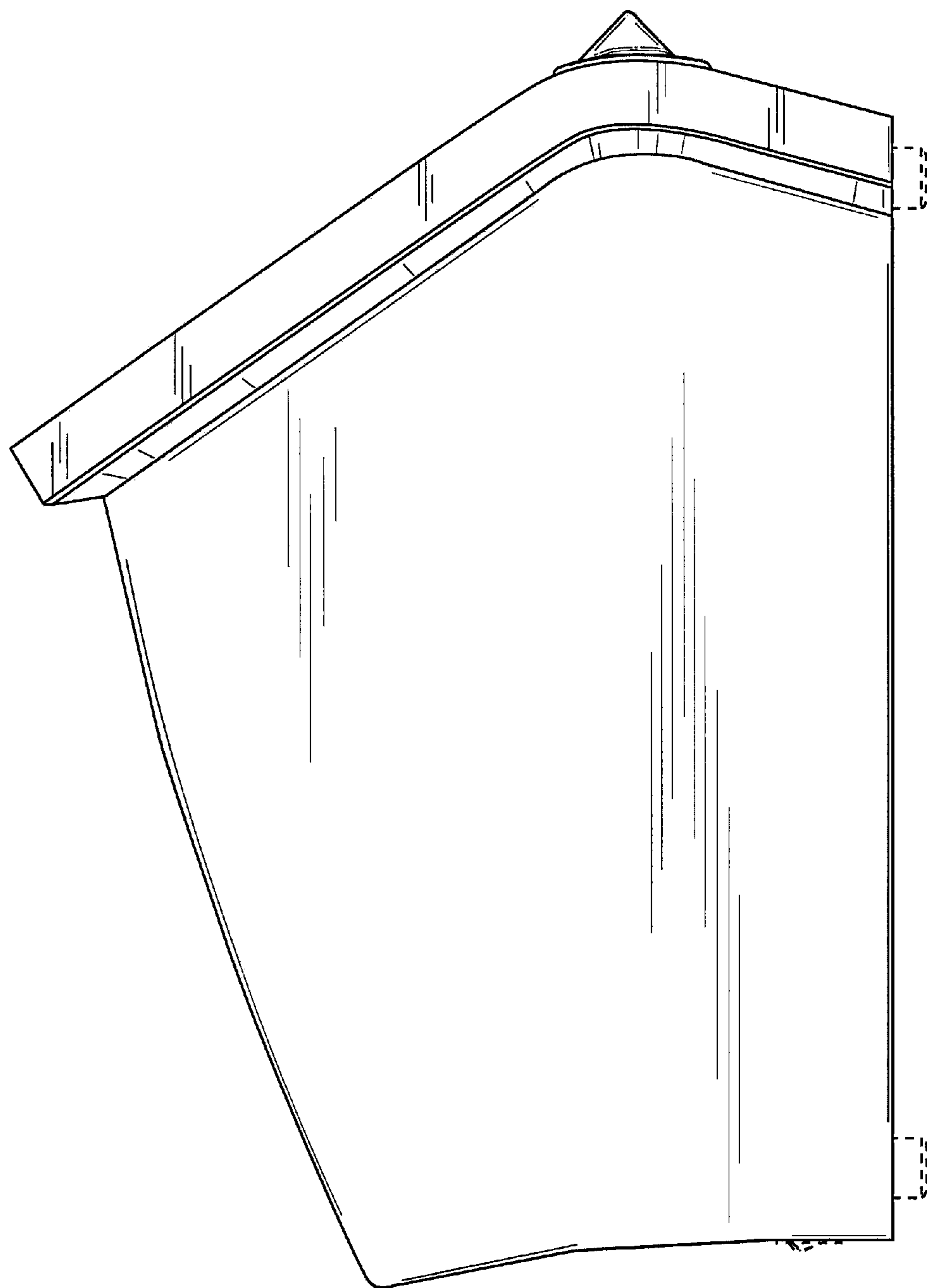


FIG. 5

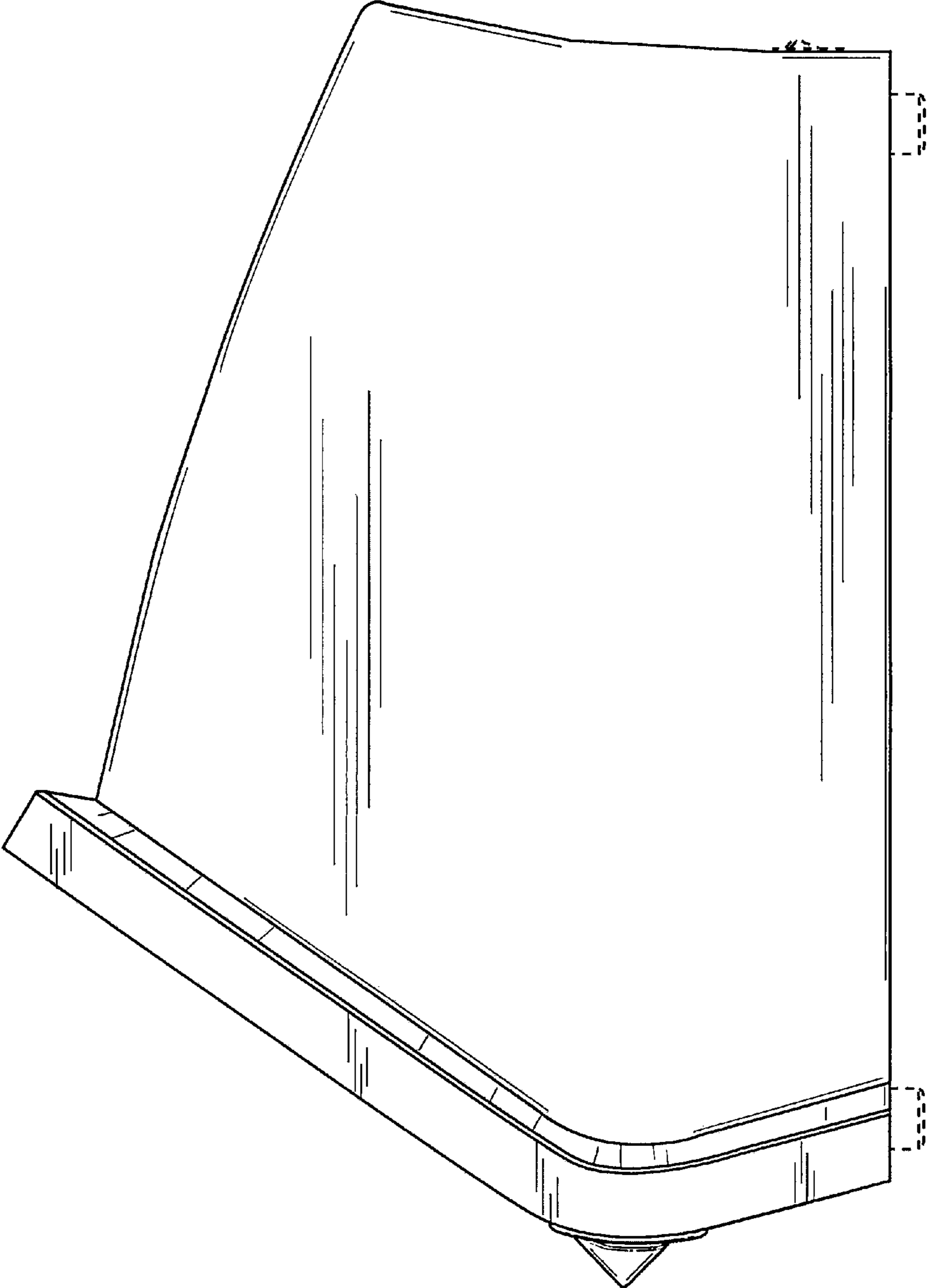


FIG. 6

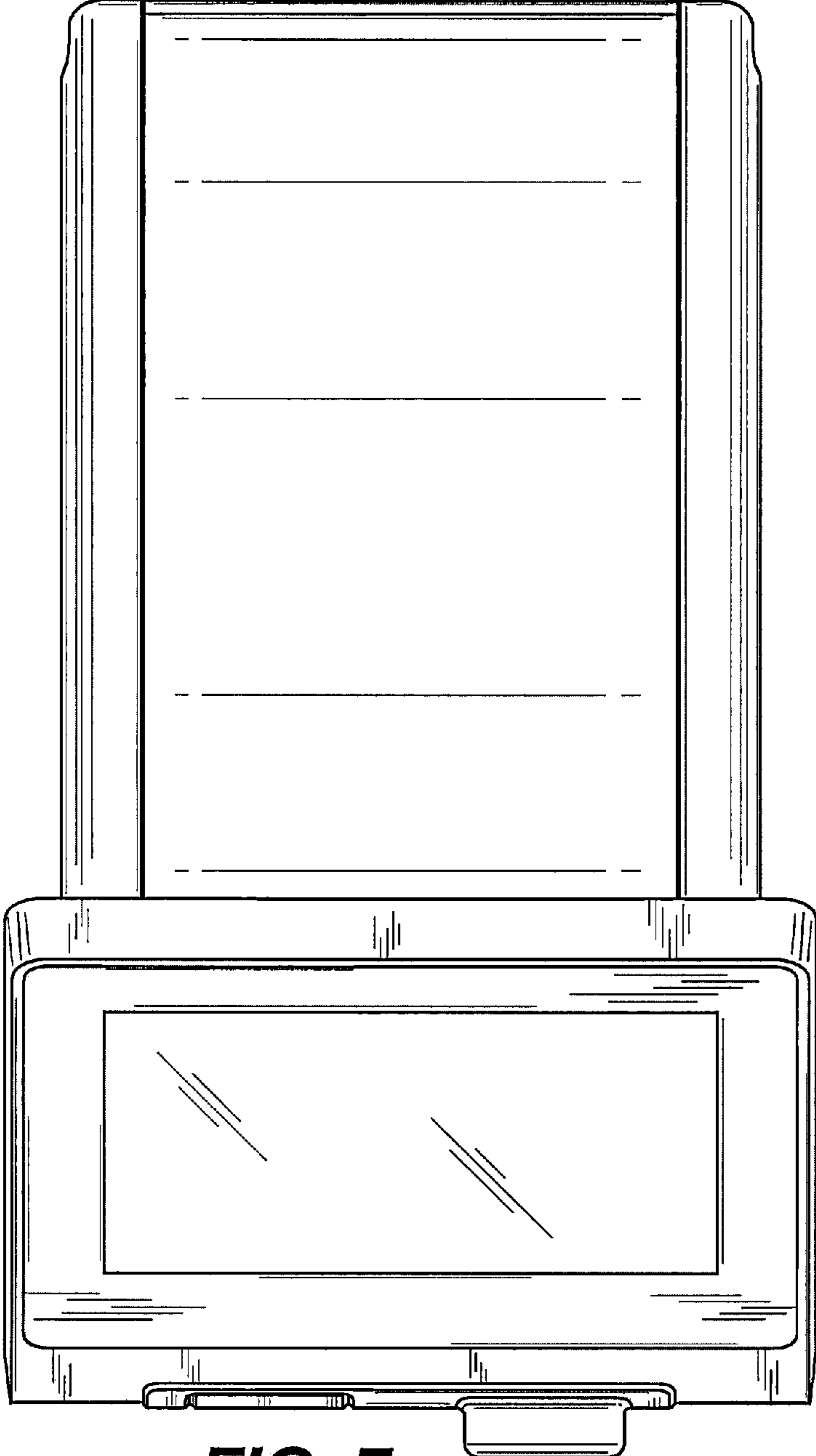


FIG. 7