



US00D728119S

(12) **United States Design Patent**  
**Sedic**

(10) **Patent No.:** **US D728,119 S**  
(45) **Date of Patent:** **\*\* Apr. 28, 2015**

- (54) **COUPLE’S MASSAGER**
- (71) Applicant: **LELO Inc.**, San Jose, CA (US)
- (72) Inventor: **Filip Sedic**, Shanghai (CN)
- (73) Assignee: **LELO Inc.**, San Jose, CA (US)
- (\*\*) Term: **14 Years**
- (21) Appl. No.: **29/503,263**
- (22) Filed: **Sep. 24, 2014**
- (51) **LOC (10) Cl.** ..... **28-03**
- (52) **U.S. Cl.**  
USPC ..... **D24/215**
- (58) **Field of Classification Search**  
USPC ..... D24/200, 211, 212, 213, 214, 215;  
601/125, 134, 135, 136, 137  
See application file for complete search history.

D704,347	S	*	5/2014	Tai	.....	D24/215
D705,940	S	*	5/2014	Tai	.....	D24/215
D706,436	S	*	6/2014	Hahr et al.	.....	D24/215
D706,437	S	*	6/2014	Hahr et al.	.....	D24/215
D706,438	S	*	6/2014	Hahr et al.	.....	D24/215
D706,439	S	*	6/2014	Hahr et al.	.....	D24/215
D706,443	S	*	6/2014	Hahr et al.	.....	D24/215
2005/0155609	A1	*	7/2005	Lin	.....	128/844
2005/0283044	A1	*	12/2005	Chang	.....	600/38
2009/0069629	A1	*	3/2009	Uson Calvo	.....	600/38
2009/0306468	A1	*	12/2009	Tasker et al.	.....	600/41
2009/0318755	A1	*	12/2009	Adams et al.	.....	600/41

\* cited by examiner

*Primary Examiner* — Sandra Snapp

(74) *Attorney, Agent, or Firm* — Fenwick & West LLP

(57) **CLAIM**

The ornamental design for a couple’s massager, as shown and described.

**DESCRIPTION**

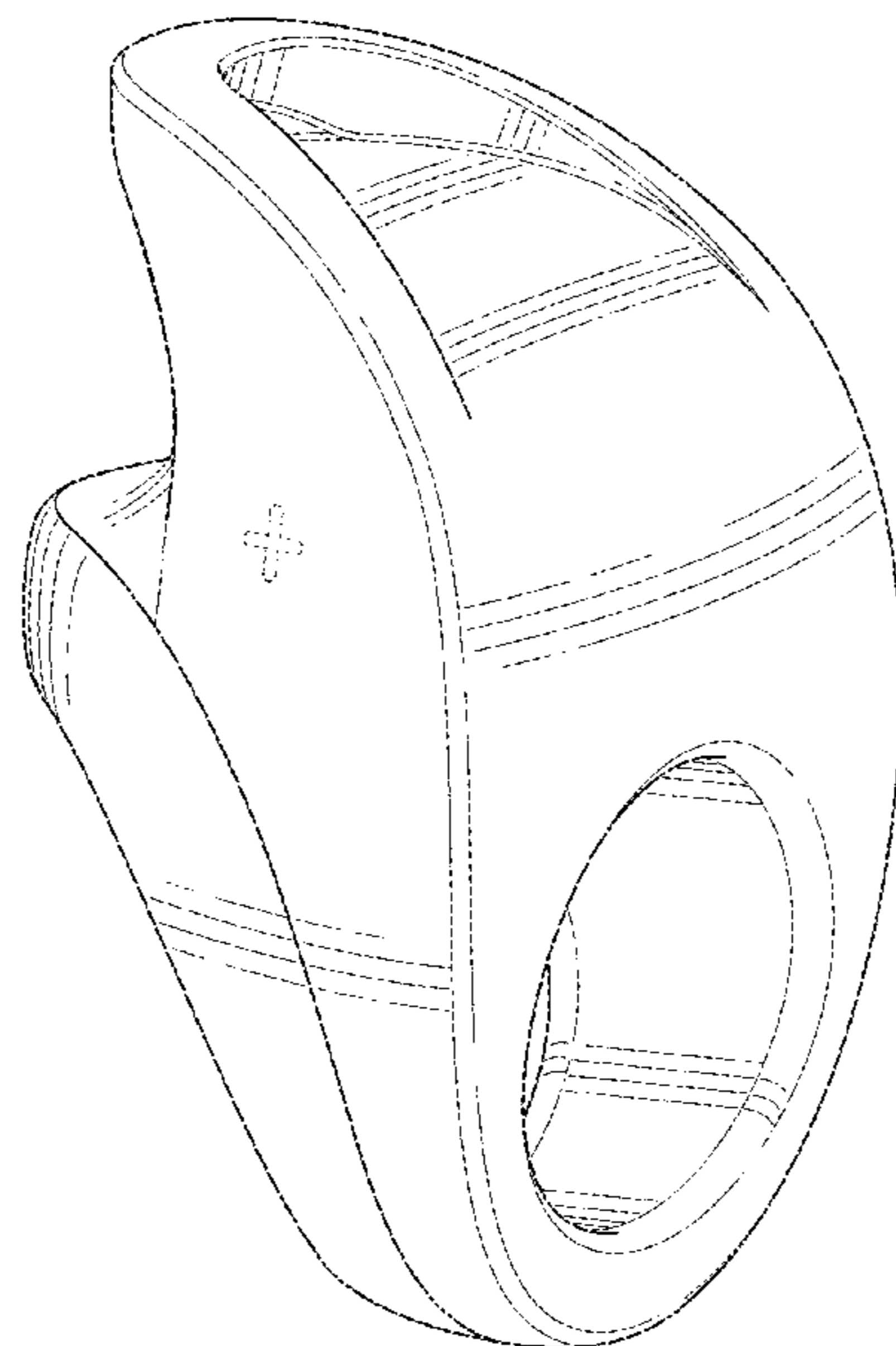
FIG. 1 is a front, top and left side perspective view of a couple’s massager showing our new design according to a first embodiment;  
 FIG. 2 is a left side elevational view thereof;  
 FIG. 3 is a right side elevational view thereof;  
 FIG. 4 is a top plan view thereof;  
 FIG. 5 is a bottom plan view thereof;  
 FIG. 6 is a front elevational view thereof; and,  
 FIG. 7 is a rear elevational view thereof.  
 The broken lines in the drawings showing portions of the couple’s massager are included for the purpose of illustrating environmental structure and form no part of the claimed design.

**1 Claim, 7 Drawing Sheets**

(56) **References Cited**

U.S. PATENT DOCUMENTS

D291,341	S	*	8/1987	Keating et al.	.....	D21/684
D496,458	S	*	9/2004	Lin	.....	D24/143
D523,958	S	*	6/2006	Fang	.....	D24/143
D552,748	S	*	10/2007	Gromosaik et al.	.....	D24/215
D552,749	S	*	10/2007	Gromosaik et al.	.....	D24/215
D557,806	S	*	12/2007	Gromosaik et al.	.....	D24/143
D566,289	S	*	4/2008	Tasker et al.	.....	D24/215
D581,544	S	*	11/2008	Adams	.....	D24/215
D643,129	S	*	8/2011	Talbot et al.	.....	D24/215
D648,861	S	*	11/2011	Chong et al.	.....	D24/215
D652,943	S	*	1/2012	Chong et al.	.....	D24/215
D653,349	S	*	1/2012	Chong et al.	.....	D24/215
D694,897	S	*	12/2013	Small	.....	D24/215
8,641,600	B2	*	2/2014	Nelson	.....	600/38
D704,346	S	*	5/2014	Tai	.....	D24/215



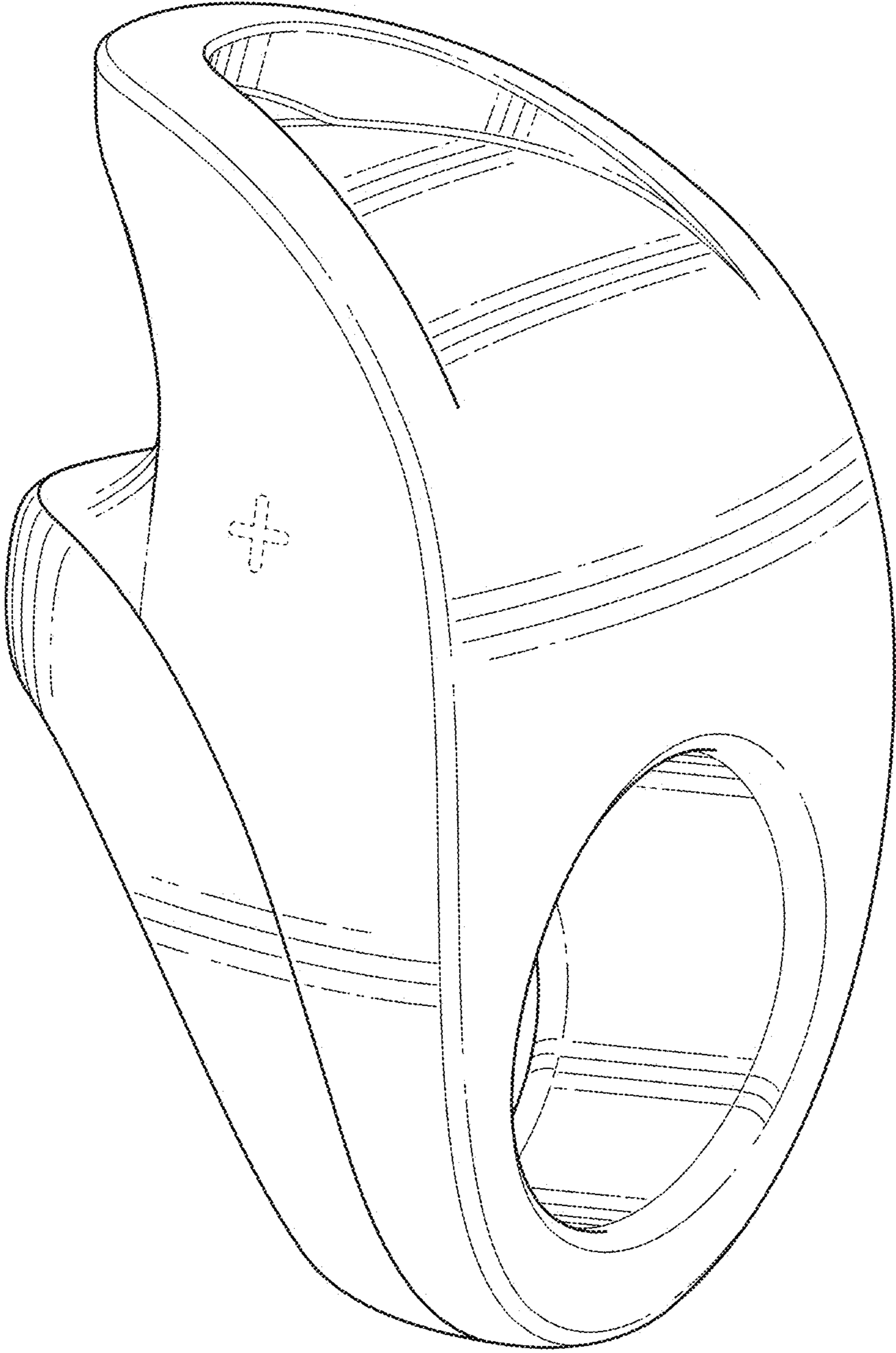


FIG. 1

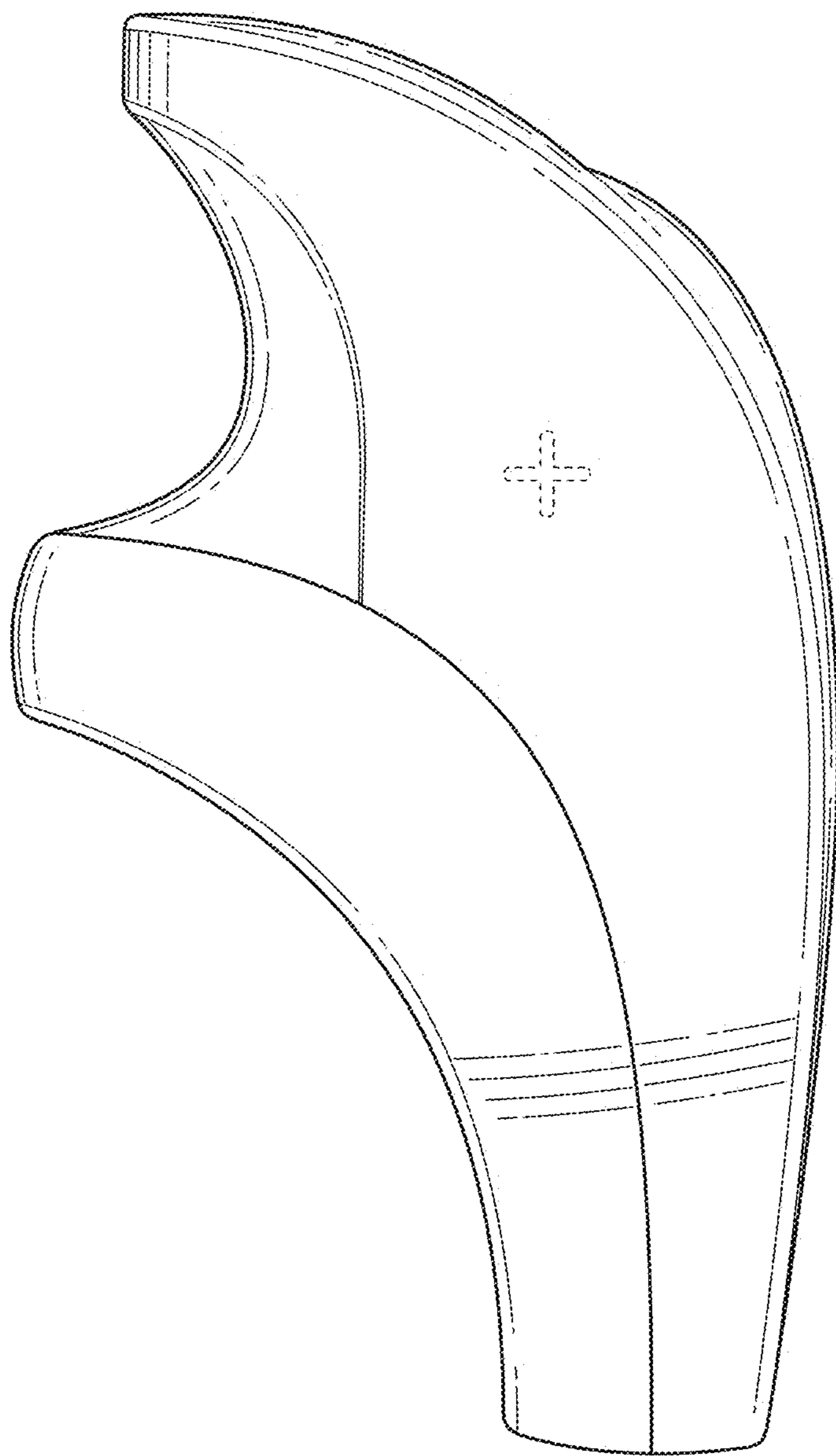


FIG. 2

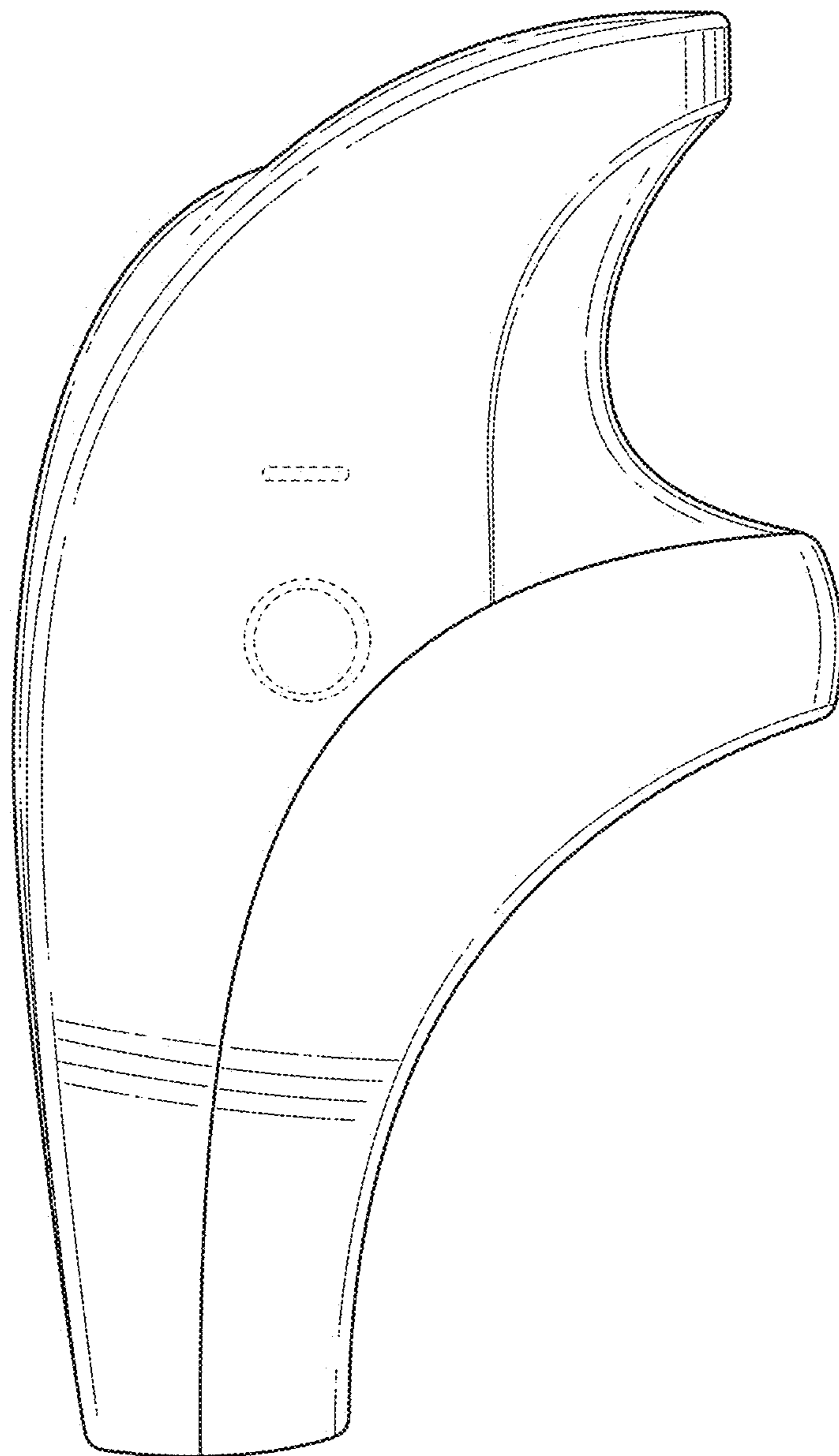


FIG. 3

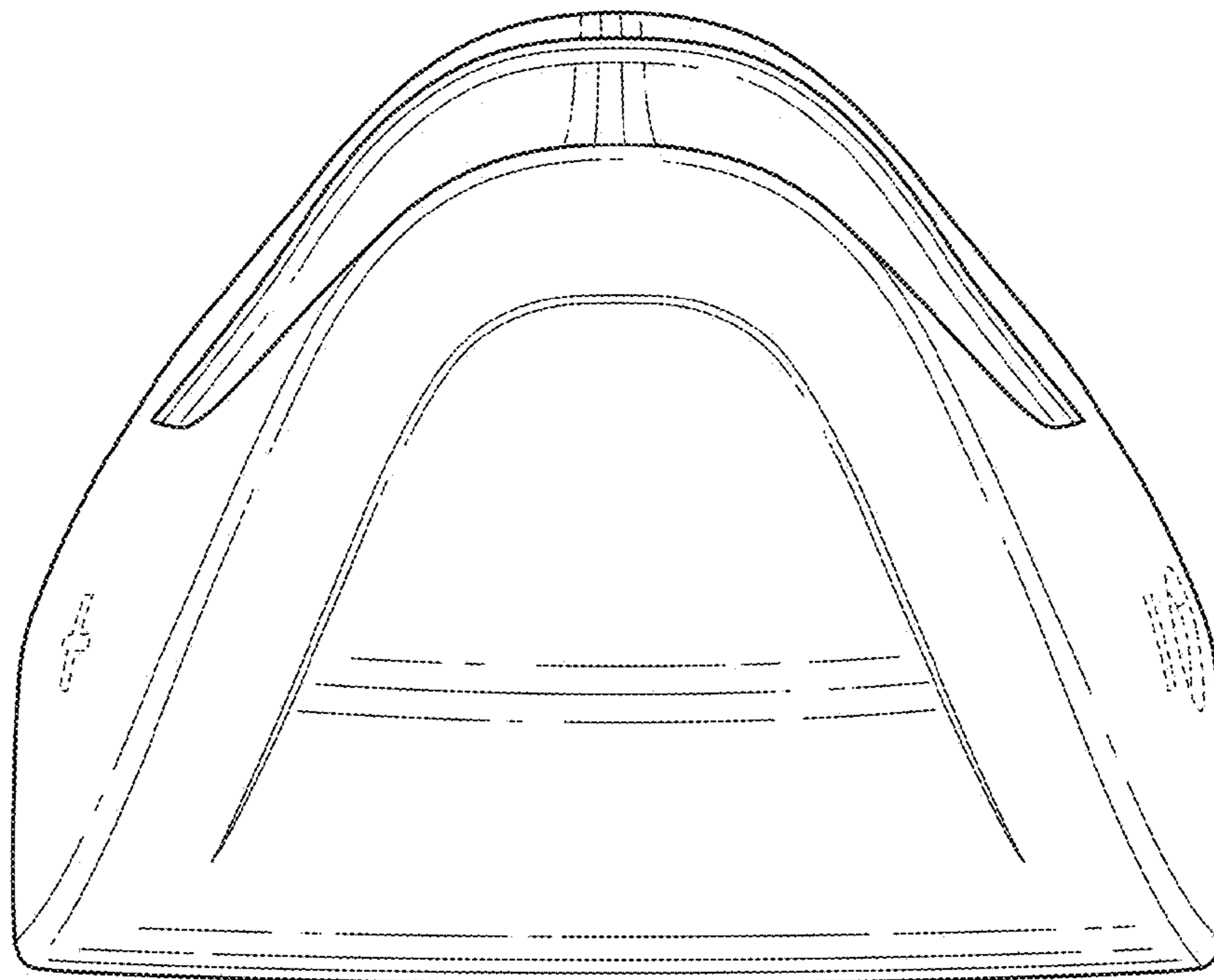


FIG. 4

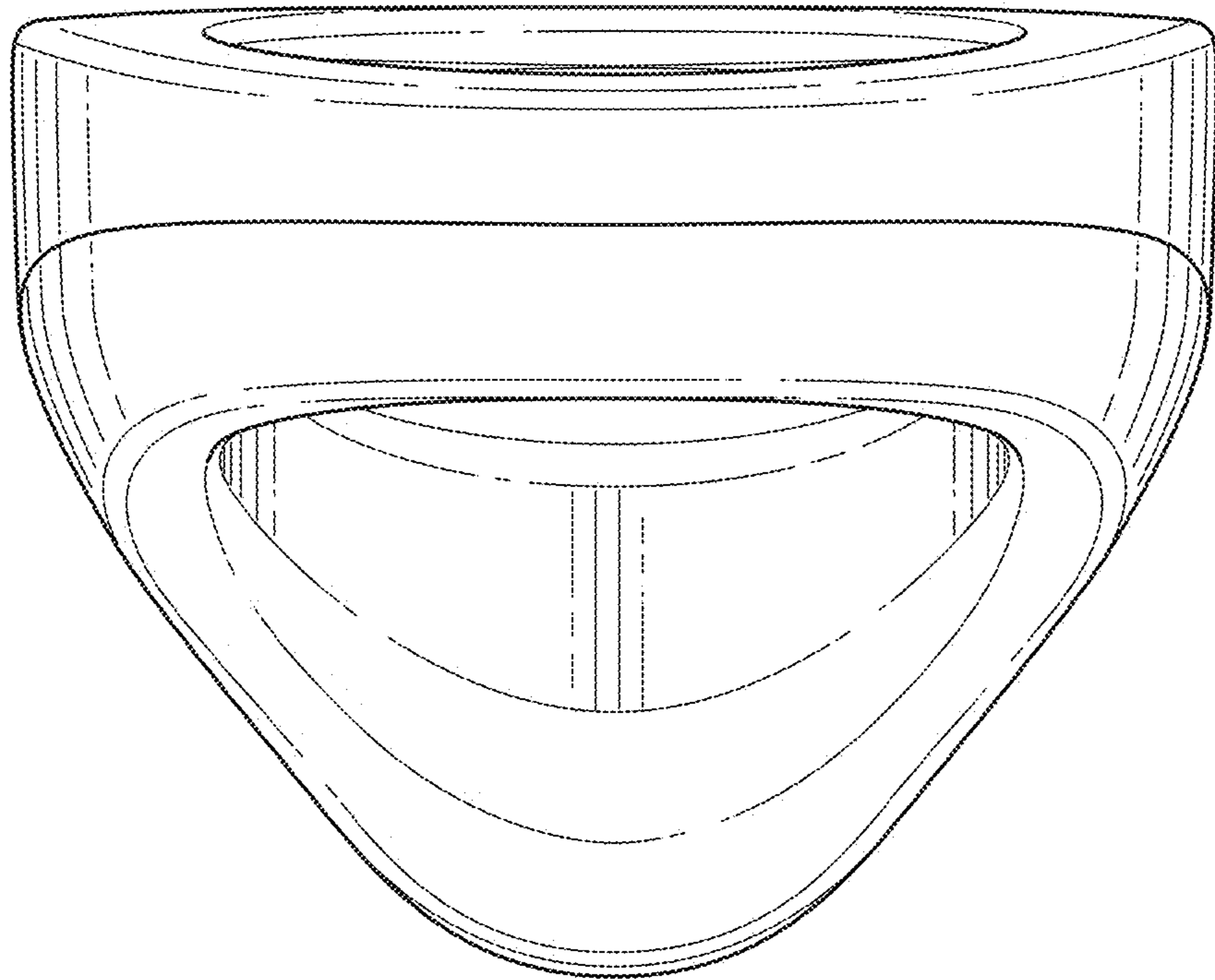


FIG. 5

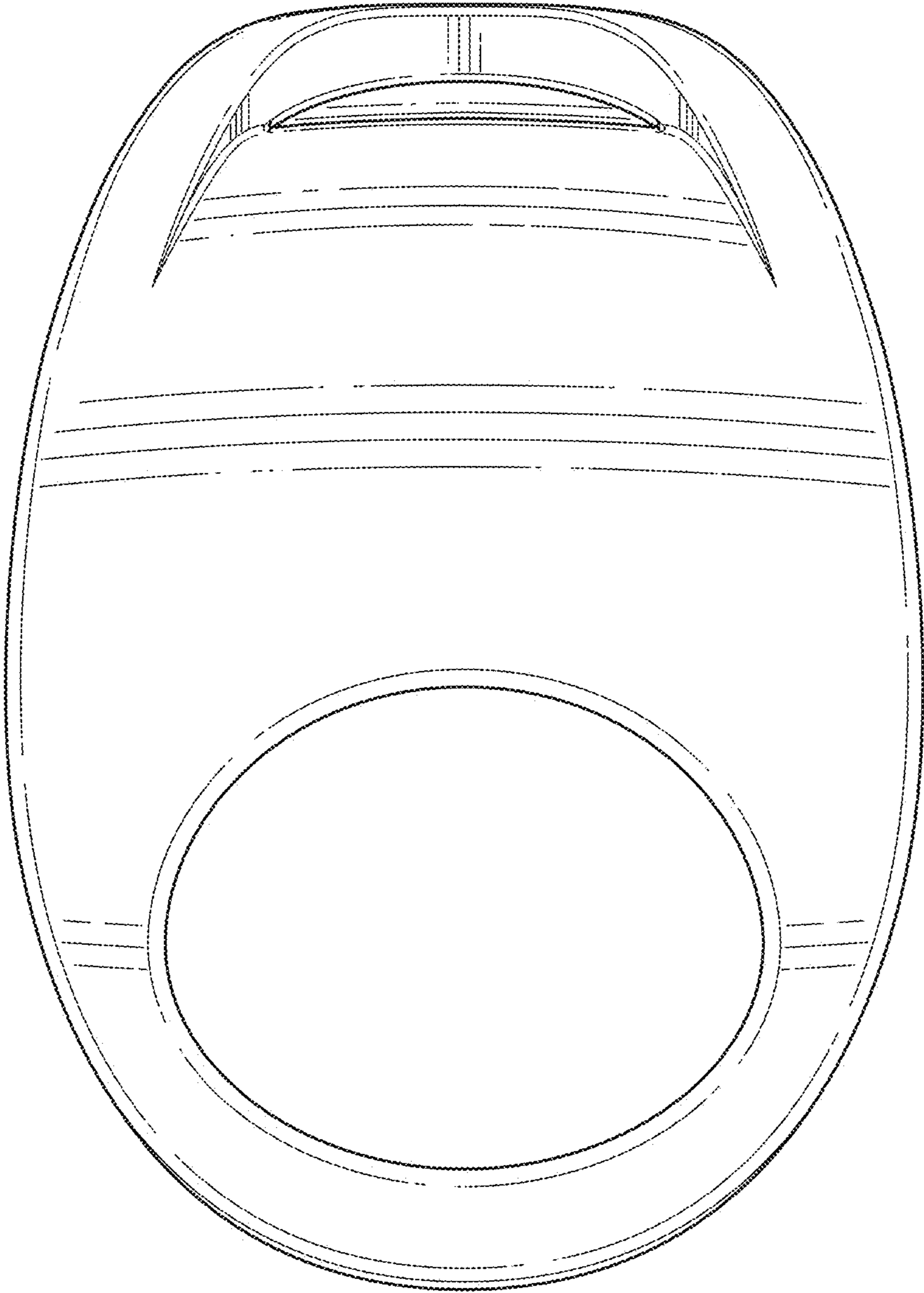


FIG. 6

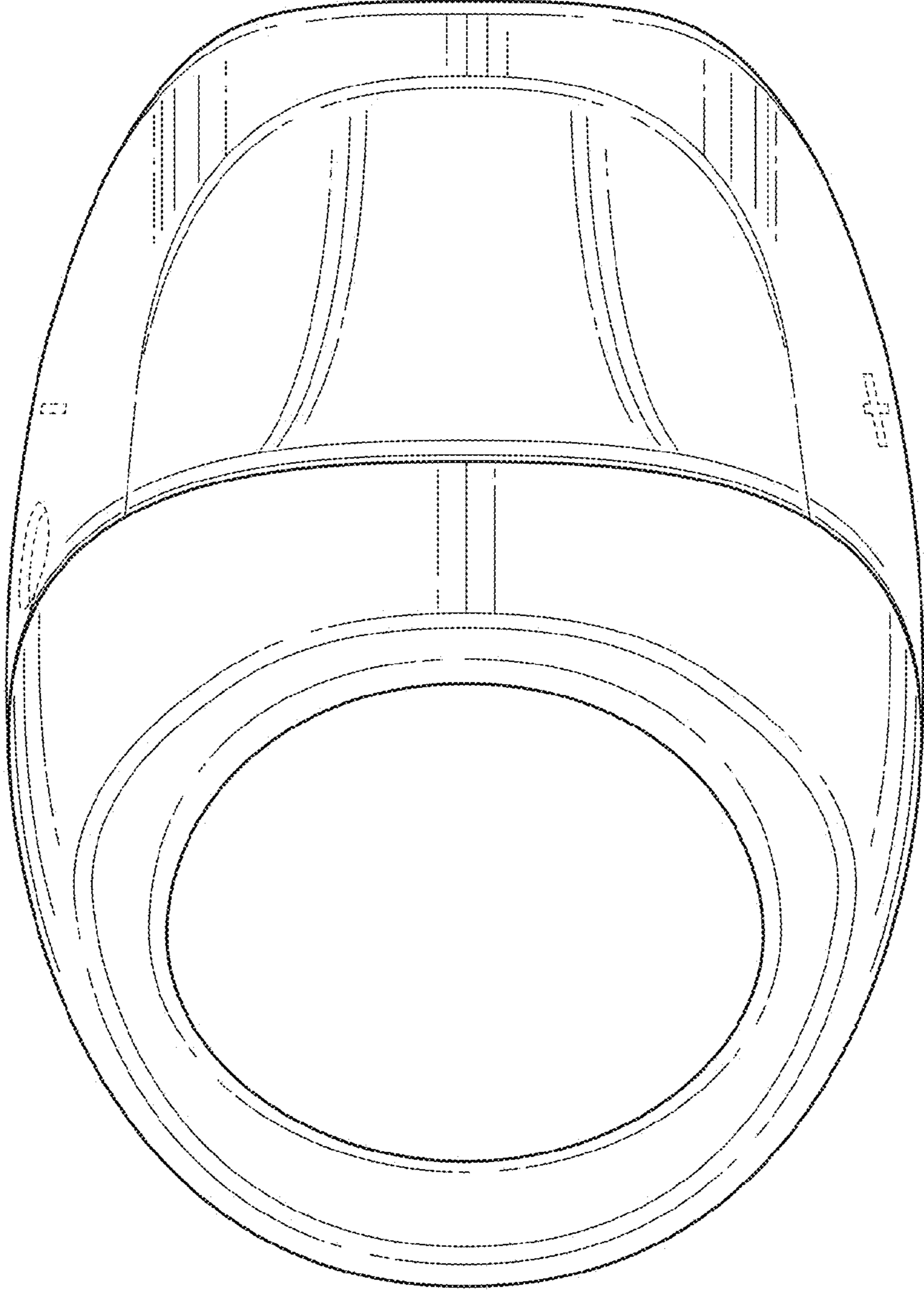


FIG. 7