



US00D728114S

(12) **United States Design Patent**
Collings et al.

(10) **Patent No.:** **US D728,114 S**
(45) **Date of Patent:** **** Apr. 28, 2015**

(54) **NURSING BOTTLE**

(71) Applicants: **Simon Collings**, London (GB); **Michal Sadowski**, Łódź (PL)

(72) Inventors: **Simon Collings**, London (GB); **Michal Sadowski**, Łódź (PL)

(73) Assignee: **My Feed Limited**, Loughborough (GB)

(**) Term: **14 Years**

(21) Appl. No.: **29/499,996**

(22) Filed: **Aug. 20, 2014**

(30) **Foreign Application Priority Data**

Feb. 20, 2014 (EM) 002408799-0001

(51) **LOC (10) Cl.** **24-04**

(52) **U.S. Cl.**
USPC **D24/197**

(58) **Field of Classification Search**
CPC A61J 9/00
USPC D24/127, 128, 129, 193, 196, 197, 198,
D24/199, 207; D9/444, 452; 220/227, 235,
220/694, 703, 714, 727, 745; 215/11.1,
215/11.2, 11.3, 11.4, 11.5, 11.6; D7/510,
D7/511

See application file for complete search history.

(56) **References Cited**

U.S. PATENT DOCUMENTS

2,310,515	A *	2/1943	Chester	215/12.1
3,112,837	A *	12/1963	Manoyian	215/11.1
D201,336	S *	6/1965	Nelson	D24/198
D288,362	S *	2/1987	Simmons	D24/198
D311,581	S *	10/1990	Mosley	D24/197
D340,771	S *	10/1993	Levy et al.	D24/197
D351,656	S *	10/1994	Collins	D24/198
5,794,802	A	8/1998	Caola		
D518,596	S *	4/2006	Angeletta	D28/7
D564,665	S *	3/2008	Kim	D24/197
D594,335	S *	6/2009	Voss et al.	D9/519
D702,556	S *	4/2014	Quasters	D9/519

D712,535	S *	9/2014	Du	D24/115
2002/0000392	A1	1/2002	Searle		
2008/0073307	A1	3/2008	Sweeney et al.		
2008/0156763	A1	7/2008	Murphy		
2010/0181277	A1*	7/2010	Brown et al.	215/11.5
2010/0200437	A1	8/2010	Coon		

FOREIGN PATENT DOCUMENTS

KR	100897150	B1	5/2009
TW	200823113	A	6/2008

* cited by examiner

Primary Examiner — George D Kirschbaum

Assistant Examiner — Kendra L Hamilton

(74) *Attorney, Agent, or Firm* — Reinhart Boerner Van Deuren P.C.

(57) **CLAIM**

We claim the ornamental design for the nursing bottle, as shown and described.

DESCRIPTION

FIG. 1 is a side view of the nursing bottle, the other side view opposite the side shown in FIG. 1 and the front and back views of the nursing bottle are identical to FIG. 1;

FIG. 2 is a top view thereof;

FIG. 3 is a bottom view thereof;

FIG. 4 is a perspective view thereof;

FIG. 5 is a perspective assembly view thereof, illustrating a cap of the nursing bottle removed from a body thereof;

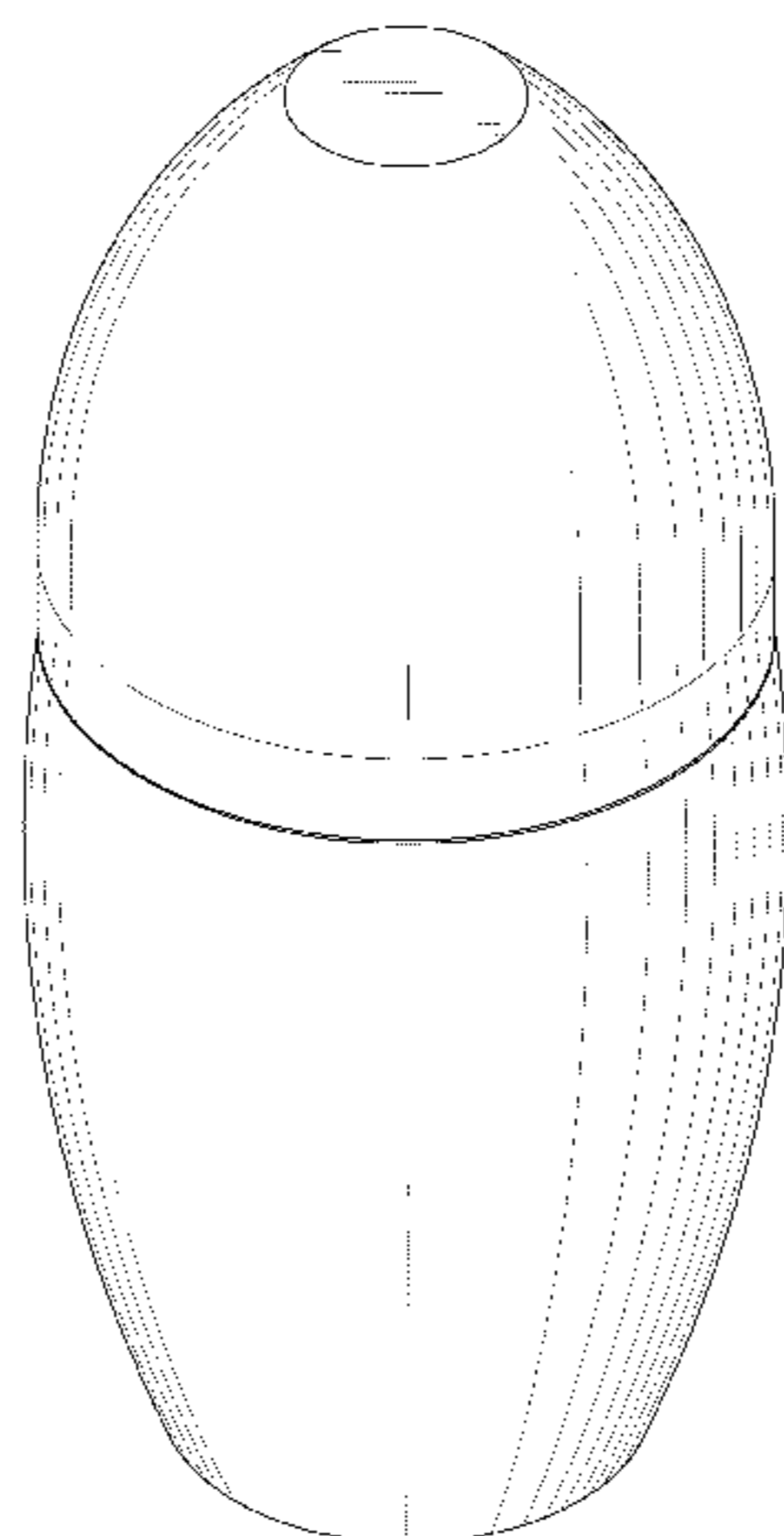
FIG. 6 is a perspective assembly view of an intermediary member of the nursing bottle removed from the body shown; and,

FIG. 7 is a perspective view of the intermediary member of the nursing bottle, illustrating sides thereof opposite those shown in the perspective view of the intermediary member shown in FIGS. 5 and 6.

The claim is directed to the collective appearance of the nursing bottle shown.

The broken lines illustrate portions of the nursing bottle which form no part of the claimed design.

1 Claim, 7 Drawing Sheets



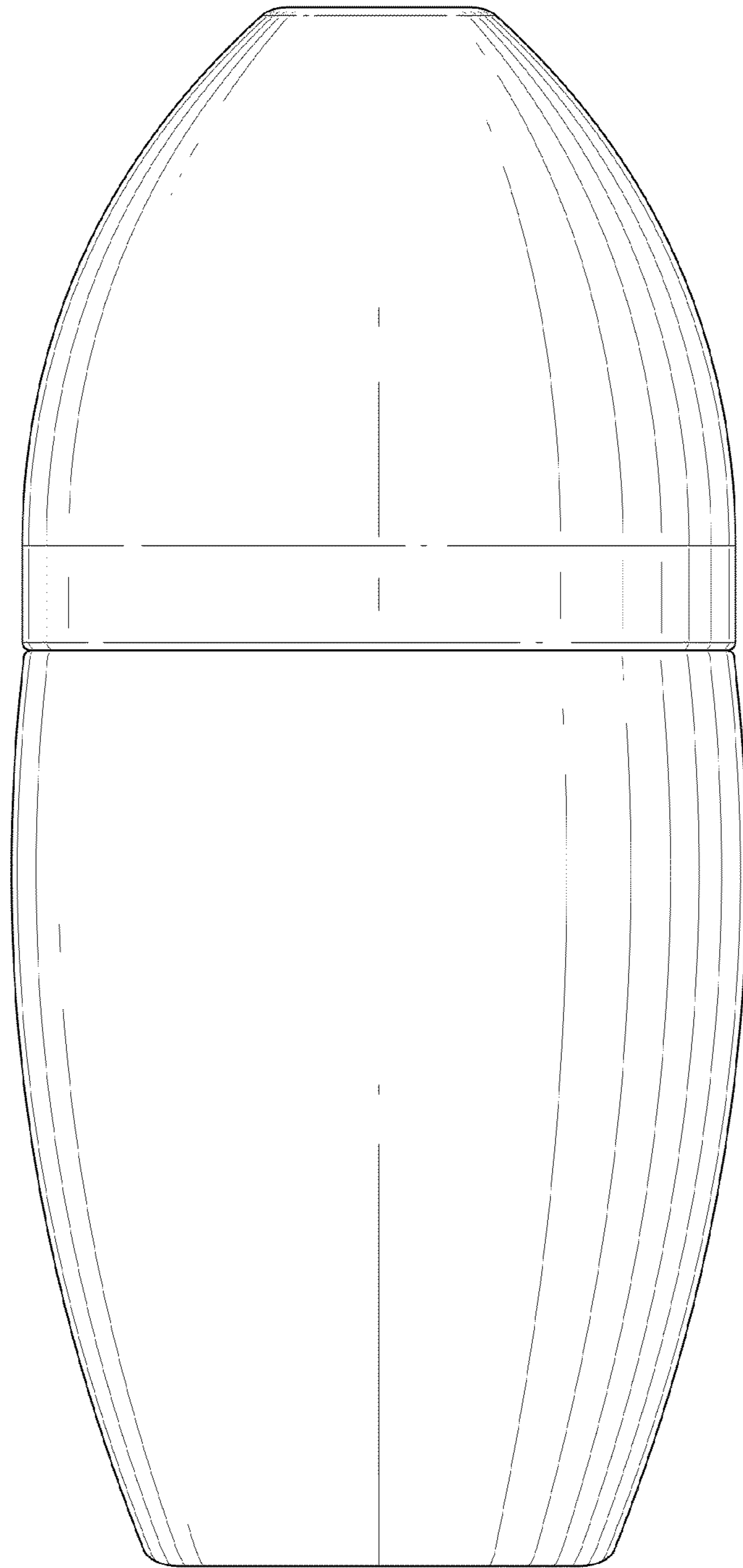


FIG. 1

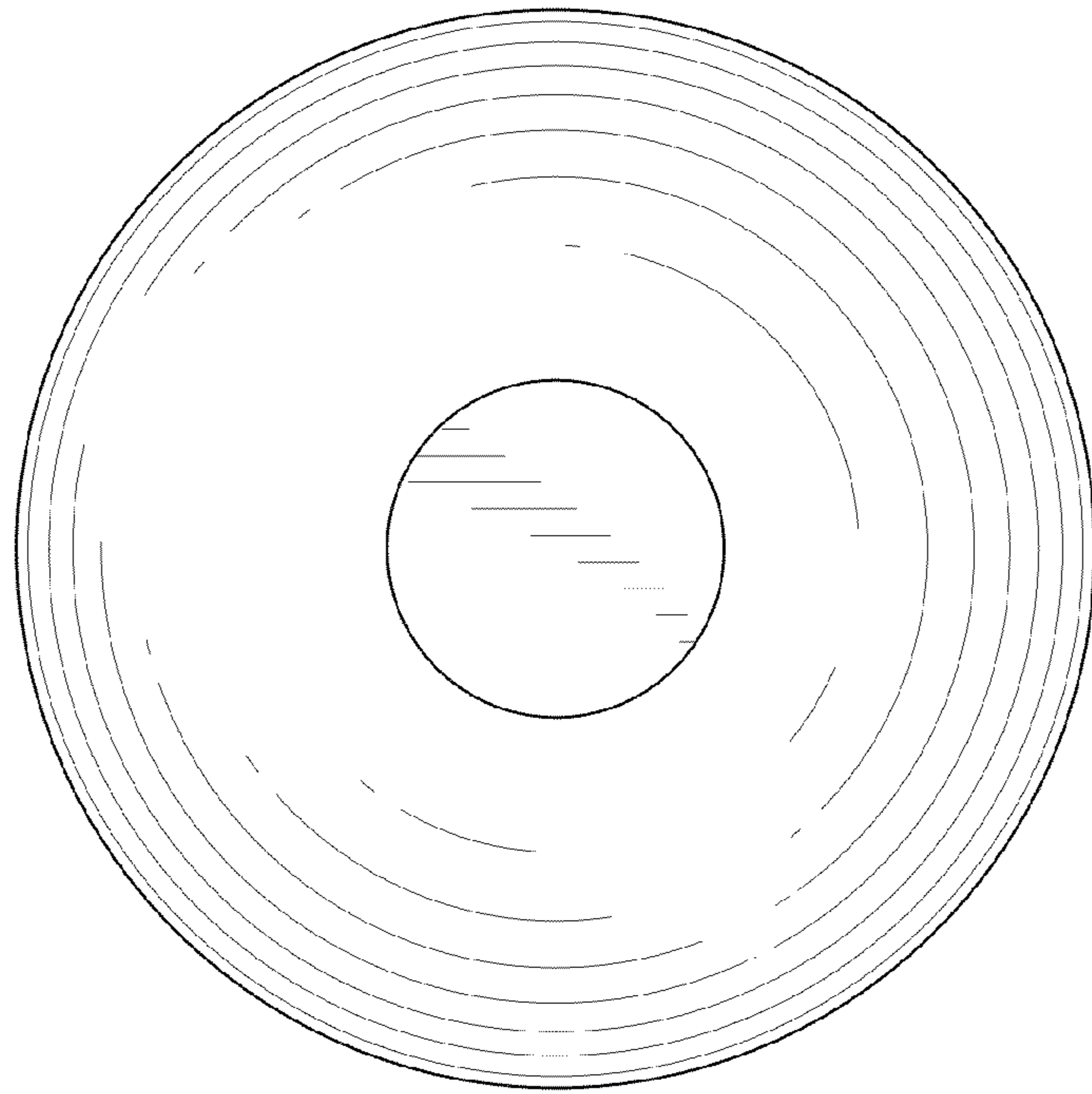


FIG. 2

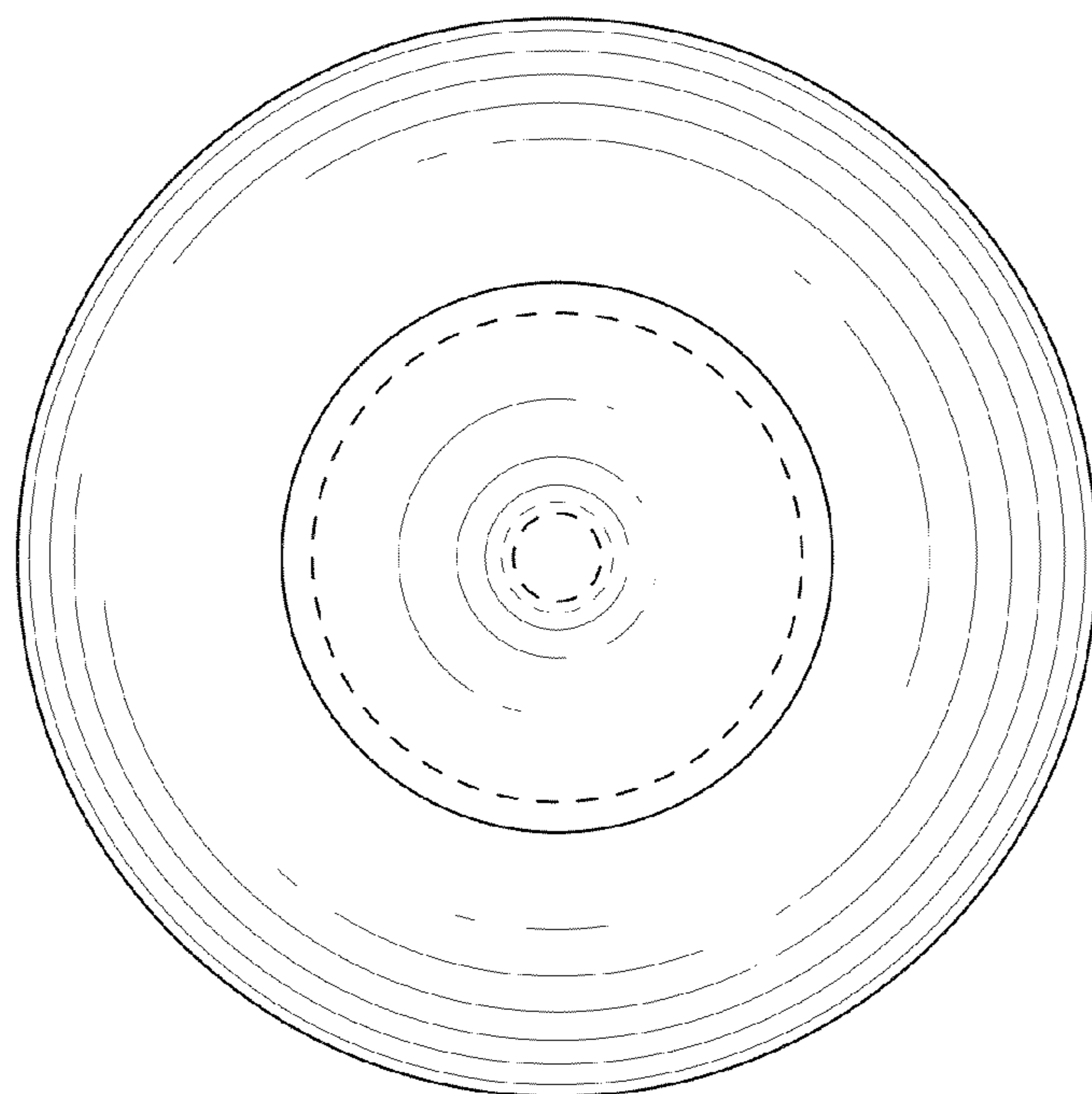


FIG. 3

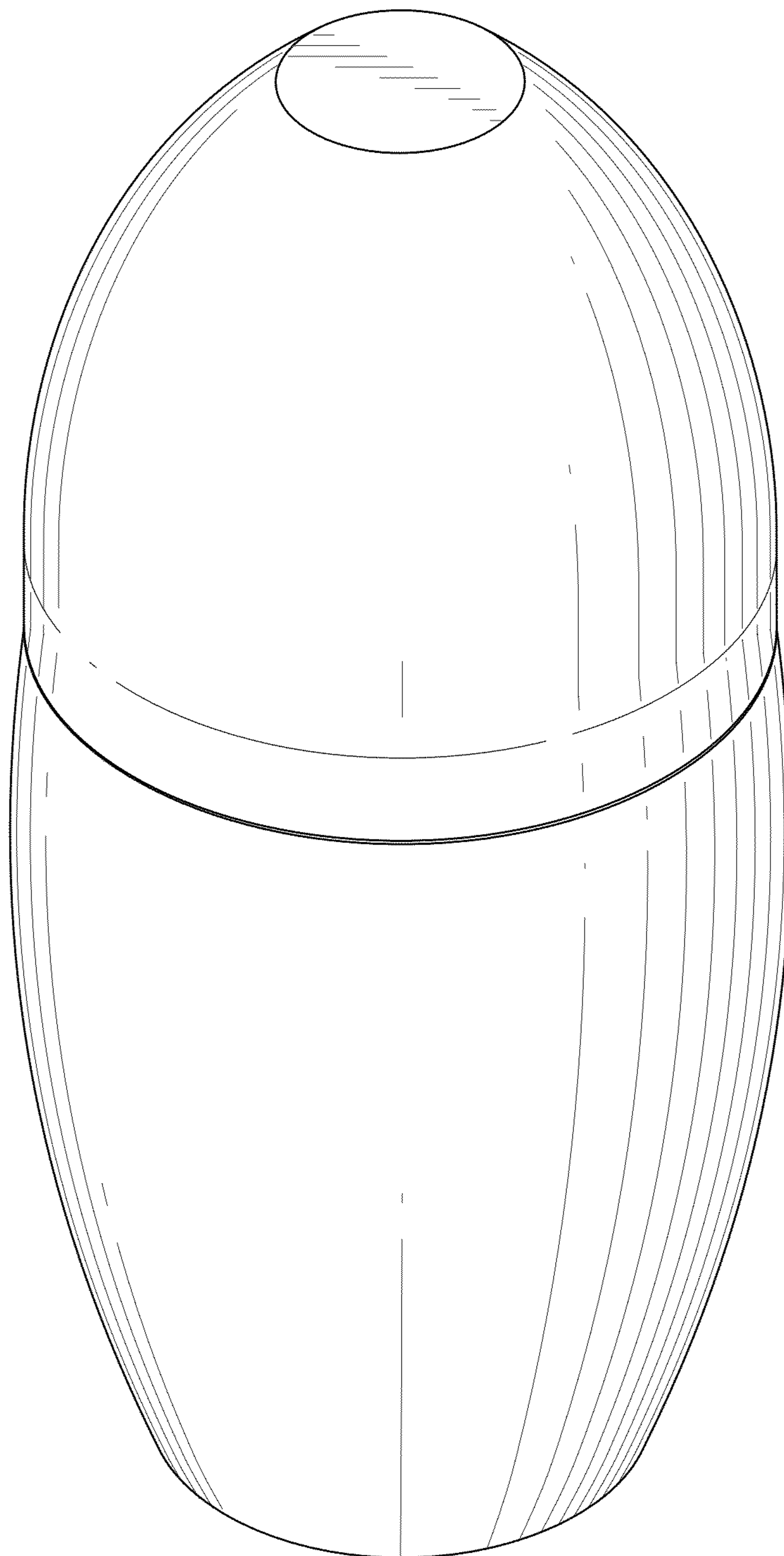


FIG. 4

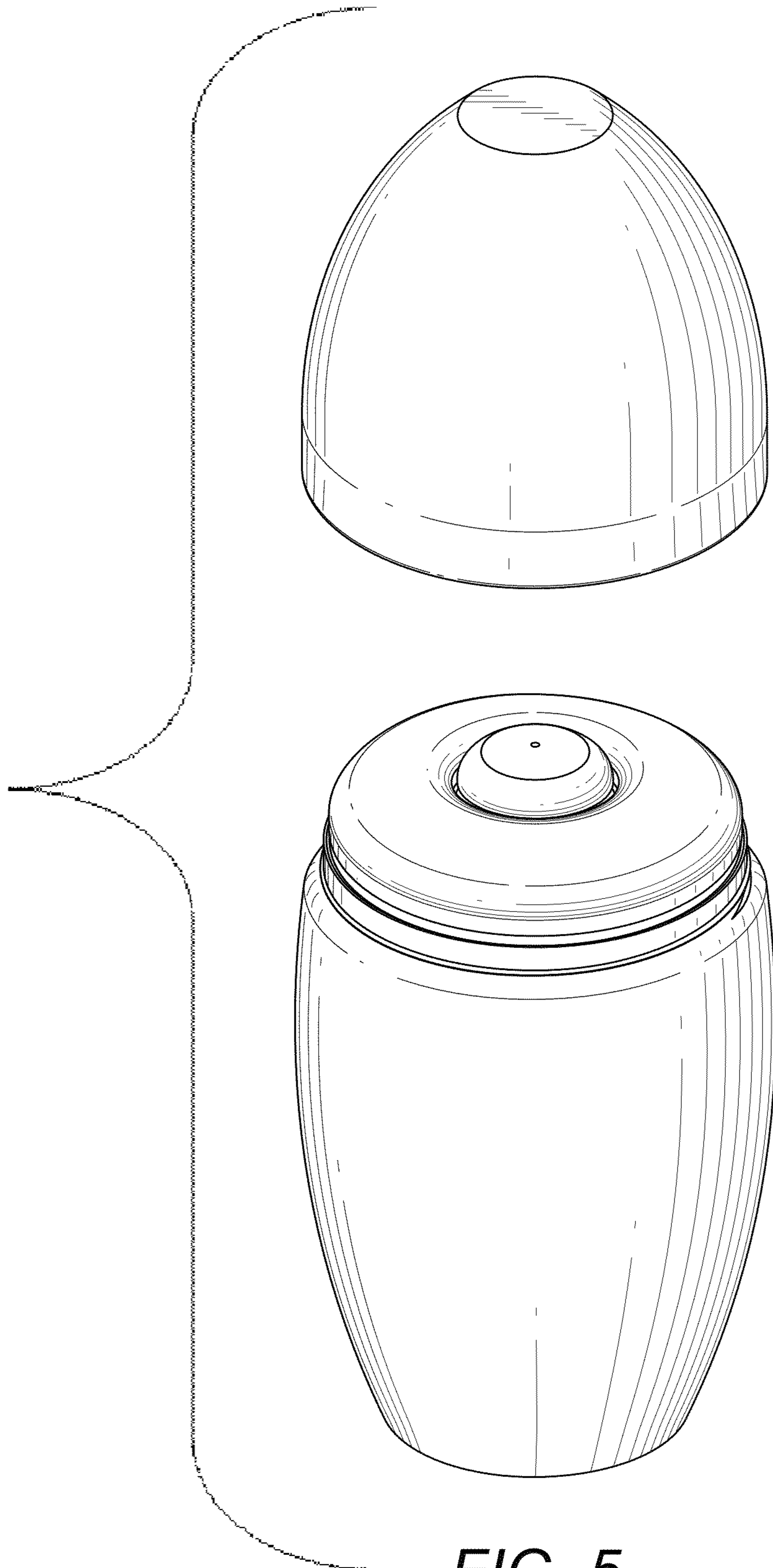


FIG. 5

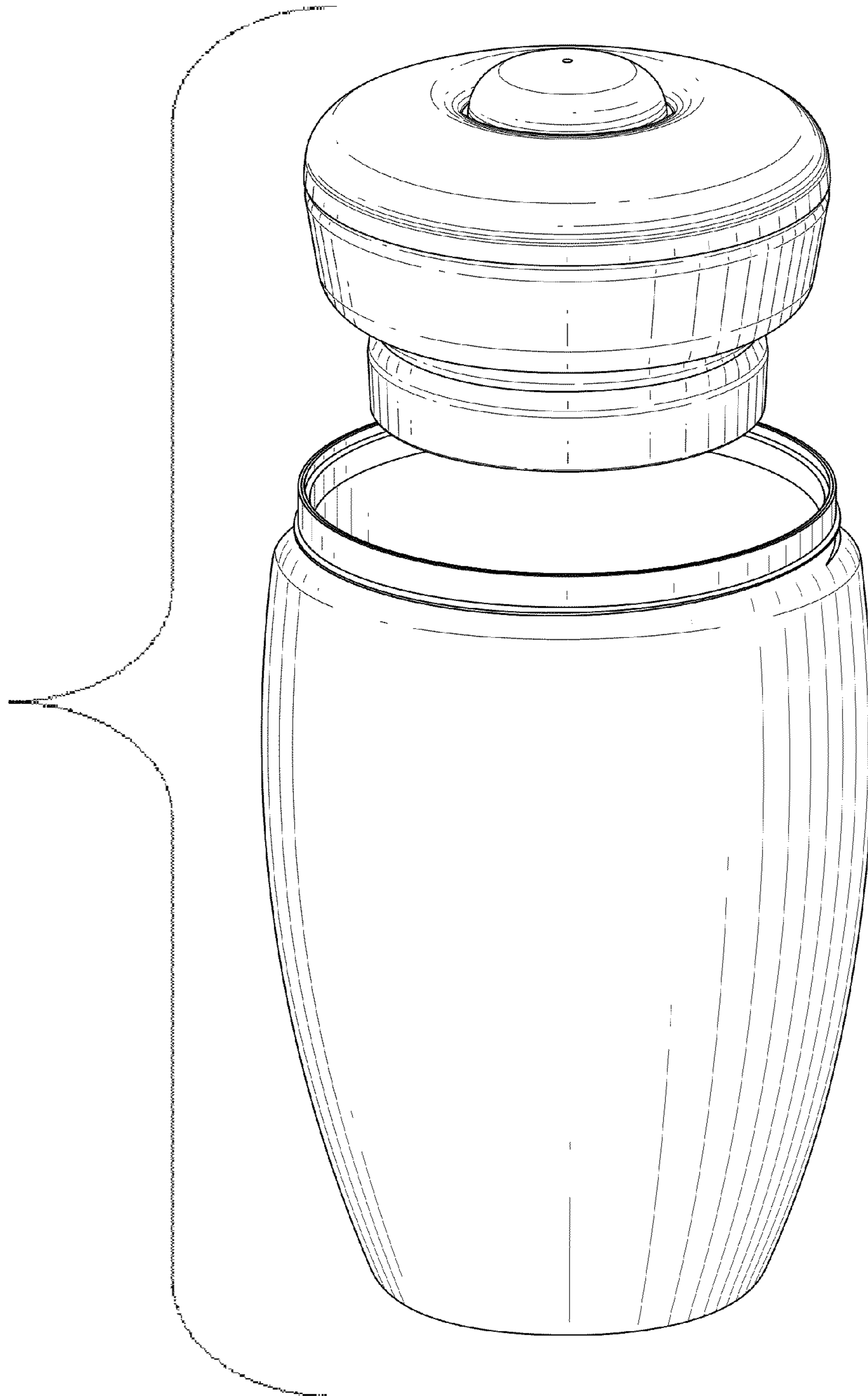


FIG. 6

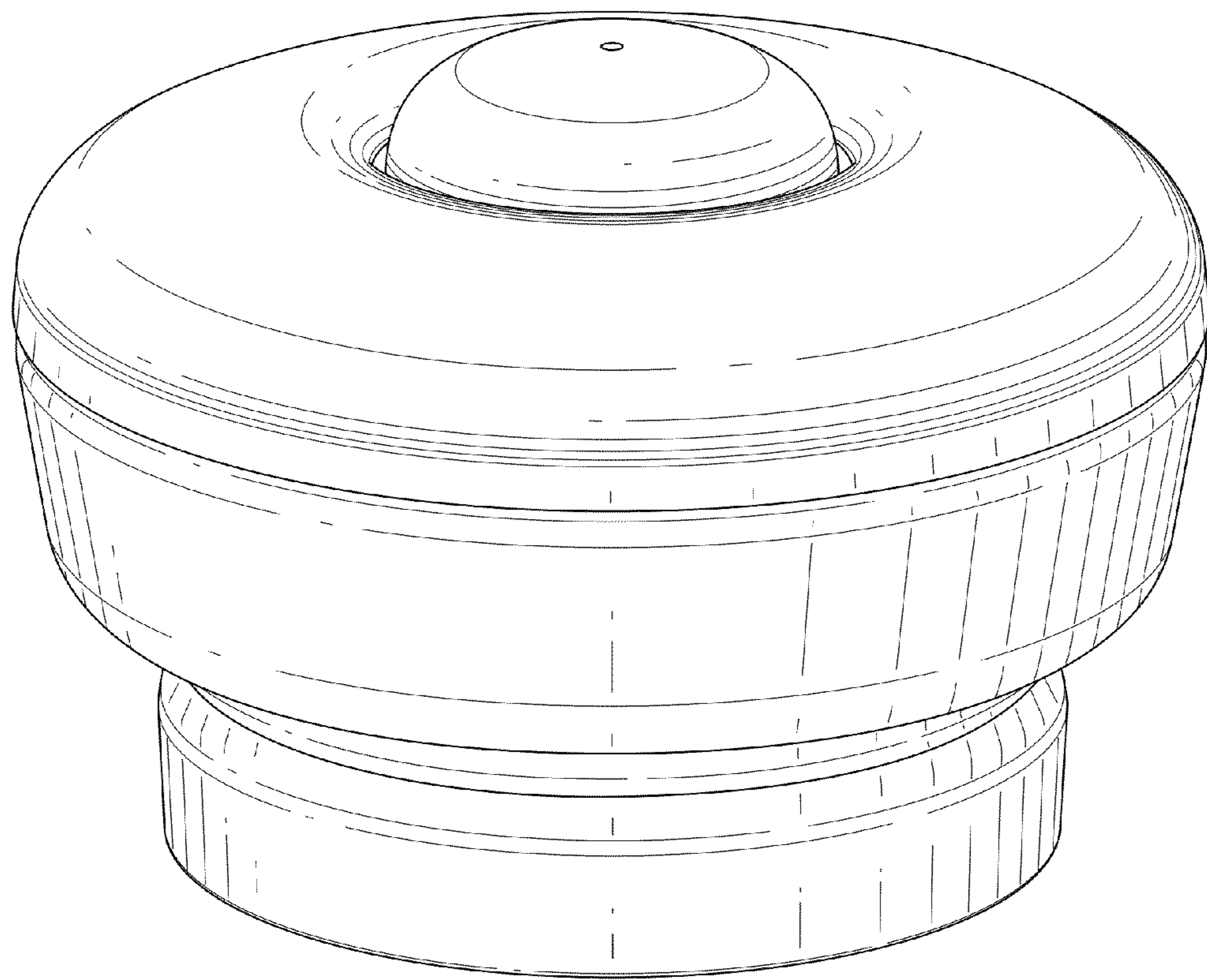


FIG. 7