



US00D728113S

(12) **United States Design Patent**
Wampold

(10) **Patent No.:** **US D728,113 S**
(45) **Date of Patent:** **** Apr. 28, 2015**

(54) **MUTE BUTTON DECORATION FOR PACIFIER**

(71) Applicant: **Bigmouth, Inc.**, Glastonbury, CT (US)

(72) Inventor: **Stephen Wampold**, Glastonbury, CT (US)

(73) Assignee: **Bigmouth, Inc.**, Glastonbury, CT (US)

(**) Term: **14 Years**

(21) Appl. No.: **29/511,160**

(22) Filed: **Dec. 8, 2014**

Related U.S. Application Data

(62) Division of application No. 29/486,693, filed on Apr. 1, 2014, now Pat. No. Des. 721,182.

(51) **LOC (10) Cl.** **24-04**

(52) **U.S. Cl.**
USPC **D24/195**

(58) **Field of Classification Search**
CPC A61J 2017/008; A61J 2017/001
USPC 606/234, 235, 236; D24/193, 194, 195, D24/196, 117, 199; D21/659
See application file for complete search history.

(56) **References Cited**

U.S. PATENT DOCUMENTS

D337,386 S *	7/1993	Bierend	D24/194
D340,525 S *	10/1993	Rohrig	D24/194
D351,233 S *	10/1994	Spence, Jr.	D24/195
D356,159 S *	3/1995	Harrison et al.	D24/195
D362,073 S *	9/1995	Hsieh	D24/194
D453,379 S *	2/2002	Roehrig	D24/194

D501,256 S *	1/2005	Roehrig	D24/194
D548,847 S *	8/2007	Dunn et al.	D24/194
D558,354 S *	12/2007	Roehrig	D24/194
D626,653 S *	11/2010	Roehrig et al.	D24/194
D659,253 S *	5/2012	Valderrama et al.	D24/194
D674,496 S *	1/2013	Roehrig et al.	D24/194
2011/0130790 A1 *	6/2011	Hezari et al.	606/234

OTHER PUBLICATIONS

“The mute button pacifier: The ultimate geeky baby gift.” coolmomtech.com. Web. Apr. 19, 2014.*

“Big Mouth Toys Mute Button Pacifier: Baby.” amazon.com. Web. Jul. 7, 2014.*

* cited by examiner

Primary Examiner — Robert M Spear

Assistant Examiner — Kendra L Hamilton

(74) *Attorney, Agent, or Firm* — Epstein Drangel LLP; Robert L. Epstein

(57) **CLAIM**

The ornamental design for a mute button decoration for a pacifier, substantially as shown and described.

DESCRIPTION

FIG. 1 is an isometric view showing the front, top and one side of my design;

FIG. 2 is a front elevation view of my design;

FIG. 3 is an elevation view of one side of my design, the opposite side being a mirror image thereof; and,

FIG. 4 is an elevation view of the top of my design, the bottom being a mirror image thereof.

The portions shown in the drawings in broken lines are unclaimed environmental structures; the broken lines form no part of the claimed design.

1 Claim, 2 Drawing Sheets

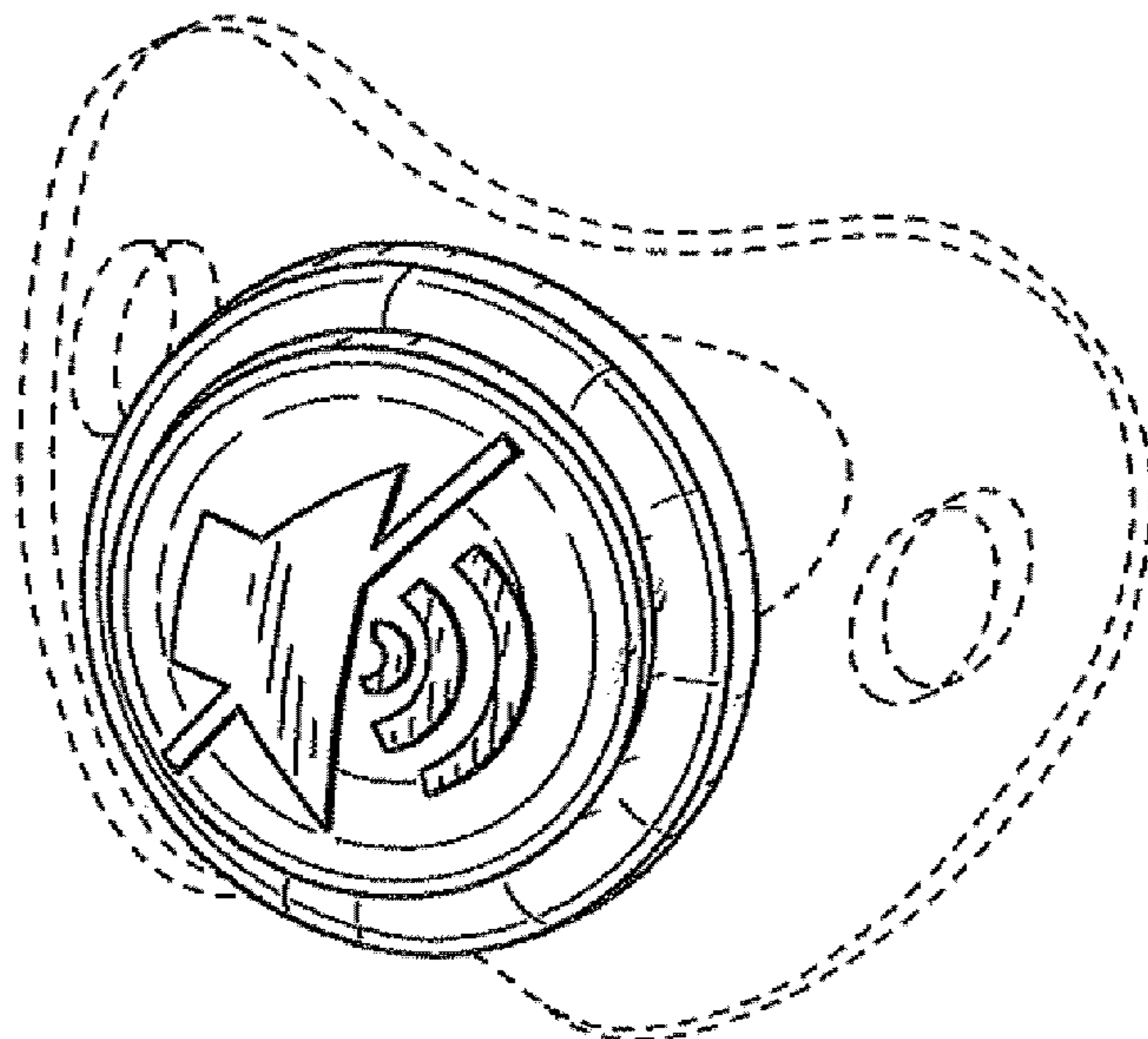
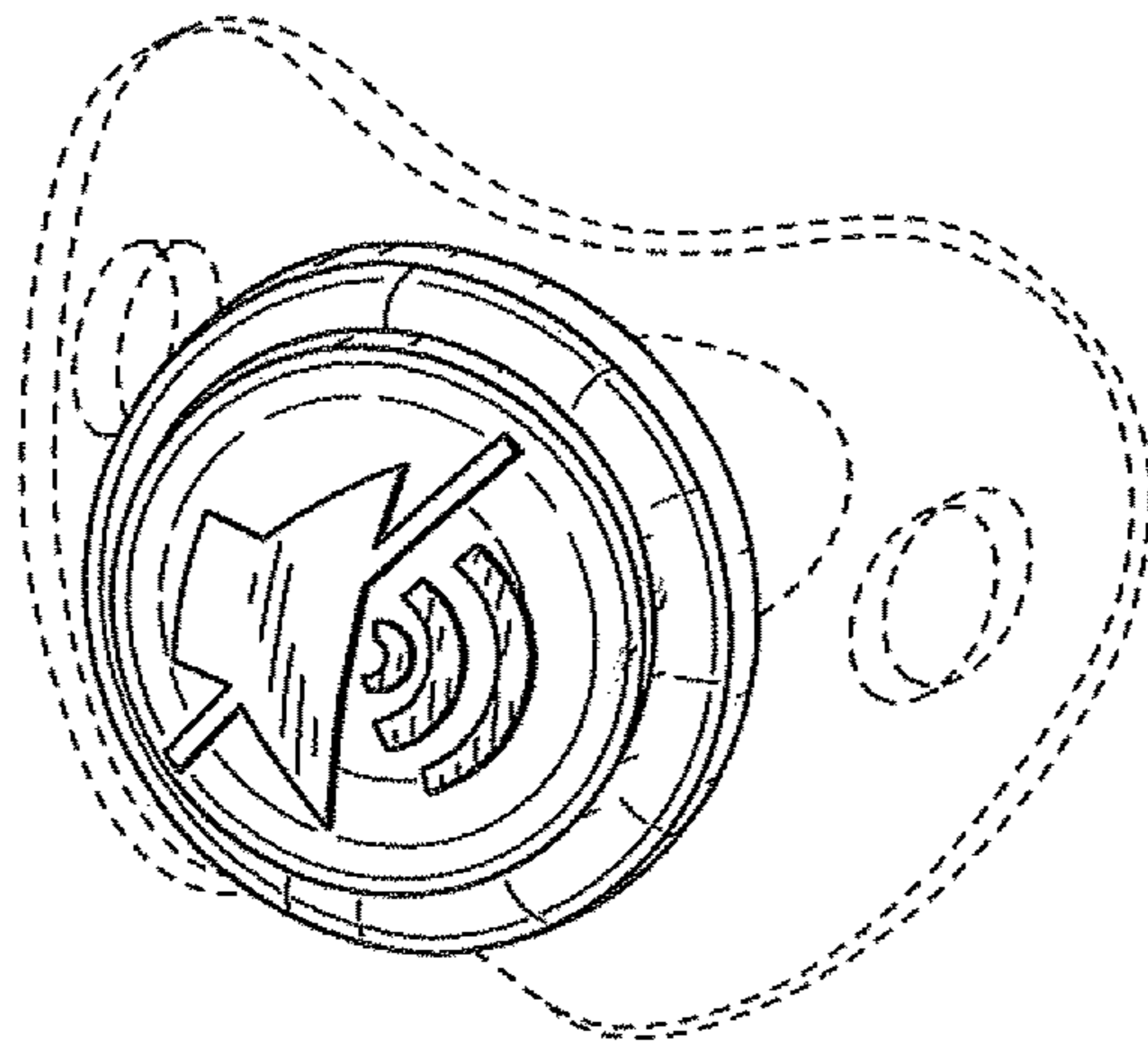


FIG. 1



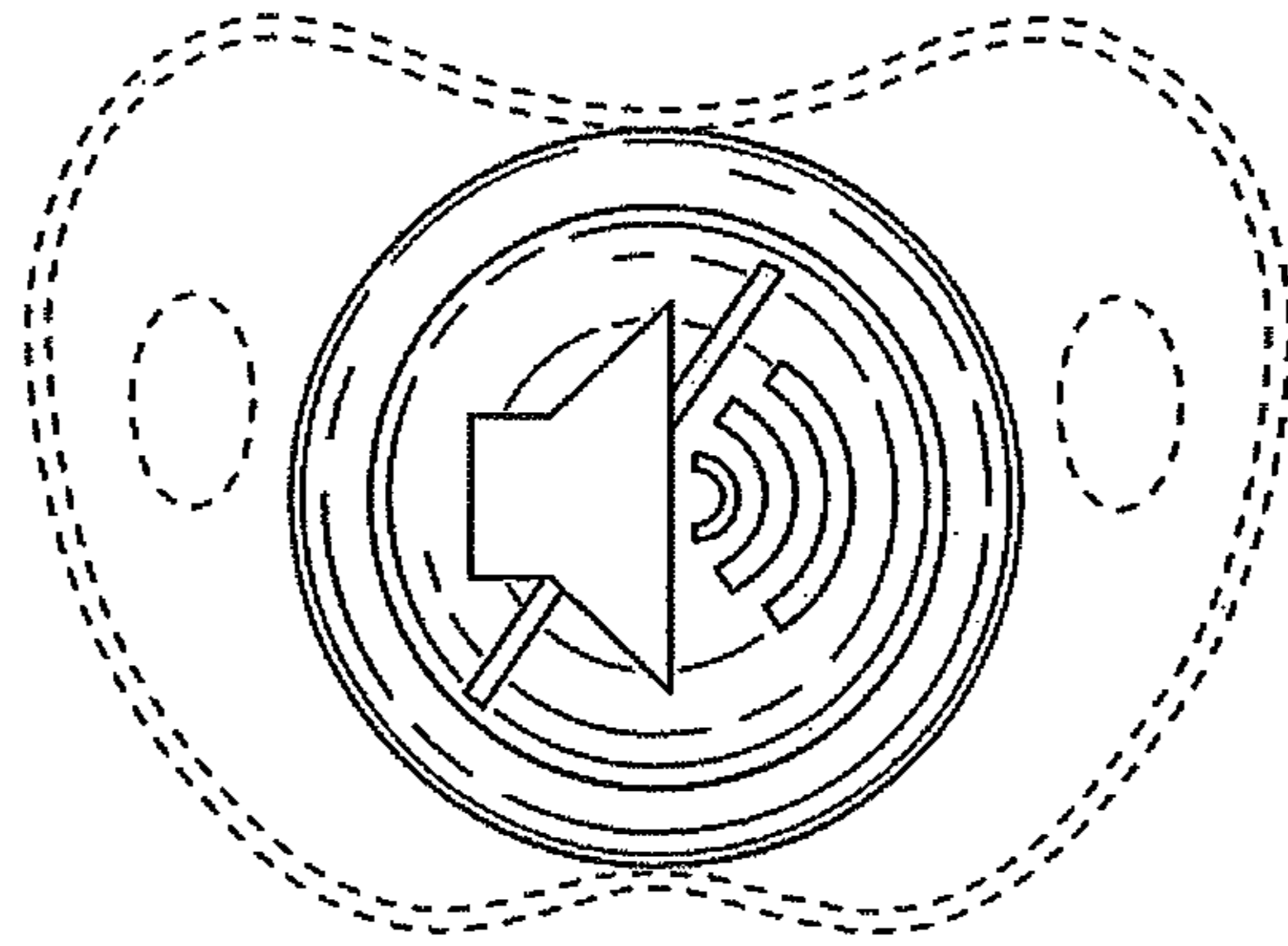


FIG. 2

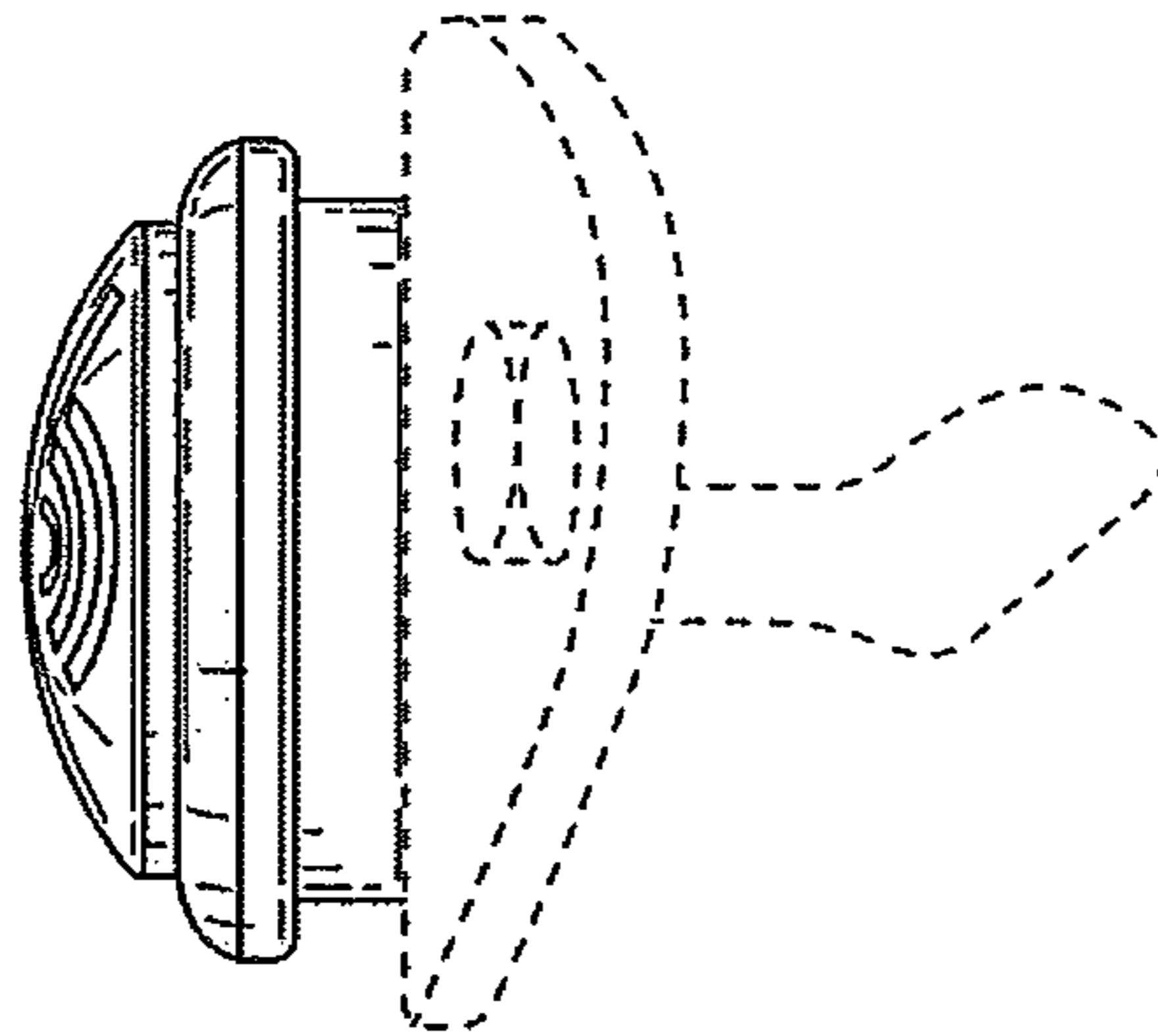


FIG. 3

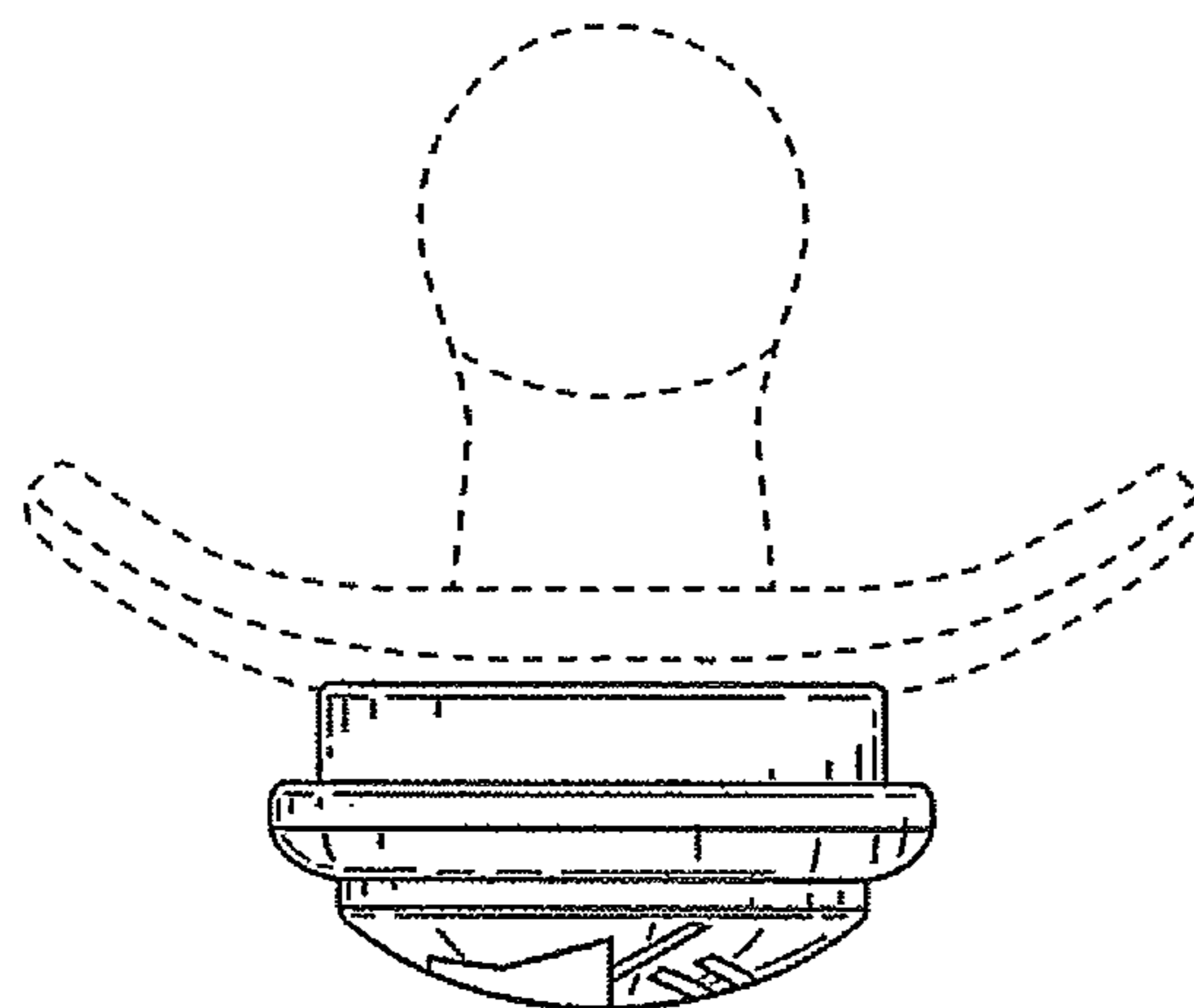


FIG. 4