



US00D728110S

(12) **United States Design Patent**  
**Corbett, III et al.**

(10) **Patent No.:** **US D728,110 S**

(45) **Date of Patent:** **\*\* Apr. 28, 2015**

(54) **STERILE SHEATH FOR WEARABLE  
MEDICAL IMAGING INSTRUMENT**

(71) Applicant: **Sonivate Medical, Inc.**, Beaverton, OR  
(US)

(72) Inventors: **Scott Sutherland Corbett, III**, Portland,  
OR (US); **Martin Baumer**, Carlton, OR  
(US); **Alan Vernon Andresen**, Portland,  
OR (US); **William McDonough**,  
Portland, OR (US)

(73) Assignee: **Sonivate Medical, Inc.**, Beaverton, OR  
(US)

(\*\*) Term: **14 Years**

(21) Appl. No.: **29/484,607**

(22) Filed: **Mar. 11, 2014**

(51) **LOC (10) Cl.** ..... **24-01**

(52) **U.S. Cl.**  
USPC ..... **D24/187**; D24/105

(58) **Field of Classification Search**  
USPC ..... D24/112-114, 127-131, 133, 186, 187,  
D24/143, 224-225, 137, 147, 138; 606/181,  
606/185, 198; 604/232, 187, 158, 164.08,  
604/192, 263, 163, 181, 184, 198, 227;  
600/101, 139, 143, 554, 920, 549,  
600/122-125; 128/200.24, 207.14, 207.15;  
206/212, 305-306, 363, 438, 466, 365,  
206/320; D10/60

See application file for complete search history.

(56) **References Cited**

**U.S. PATENT DOCUMENTS**

3,215,265	A *	11/1965	Welin-Berger	.....	206/212
3,282,409	A *	11/1966	Hidding	.....	206/306
3,416,651	A *	12/1968	Jarund	.....	206/306
3,552,558	A *	1/1971	Poncy	.....	206/306
3,752,309	A *	8/1973	Hopkins et al.	.....	206/363
3,759,370	A *	9/1973	Blatz	.....	206/466

4,051,950	A *	10/1977	Jarund	.....	206/438
4,136,776	A *	1/1979	Poncy	.....	206/484
D252,104	S *	6/1979	Nagy et al.	.....	D10/60
4,164,285	A *	8/1979	Dorman	.....	206/306
D277,938	S *	3/1985	Knute	.....	D10/60
4,684,018	A *	8/1987	Jarund	.....	206/306
D295,219	S *	4/1988	Scanlan	.....	D24/143
D297,570	S *	9/1988	Ambrose et al.	.....	D24/130
D300,609	S *	4/1989	Leverly	.....	D10/60
5,088,178	A *	2/1992	Stolk	.....	600/920
D331,807	S *	12/1992	Sodergren	.....	D24/224
5,332,092	A *	7/1994	Fischer	.....	206/365
5,401,100	A *	3/1995	Thackston et al.	.....	600/549
D379,504	S *	5/1997	Crews et al.	.....	D24/137
5,667,068	A *	9/1997	Weaver	.....	600/125
5,795,632	A *	8/1998	Buchalter	.....	206/305
6,051,293	A *	4/2000	Weilandt	.....	206/363
D441,079	S *	4/2001	Tipp	.....	D24/147
6,224,543	B1 *	5/2001	Gammons et al.	.....	600/124
6,305,536	B1 *	10/2001	Tanaka	.....	600/122
D506,548	S *	6/2005	Andrews et al.	.....	D24/130
7,147,105	B2 *	12/2006	Gammons	.....	206/320
7,611,010	B2 *	11/2009	Gammons	.....	206/320
D620,107	S *	7/2010	Bartlett et al.	.....	D24/138
D635,668	S *	4/2011	Bartlett et al.	.....	D24/112

(Continued)

*Primary Examiner* — T. Chase Nelson

*Assistant Examiner* — Mark Cavanna

(74) *Attorney, Agent, or Firm* — Schwabe, Williamson &  
Wyatt, P.C.

(57) **CLAIM**

The ornamental design for a sterile sheath for wearable medi-  
cal imaging instrument, as shown and described.

**DESCRIPTION**

FIG. 1 is a front perspective view of a sterile sheath for  
wearable medical imaging instrument showing our new  
design;

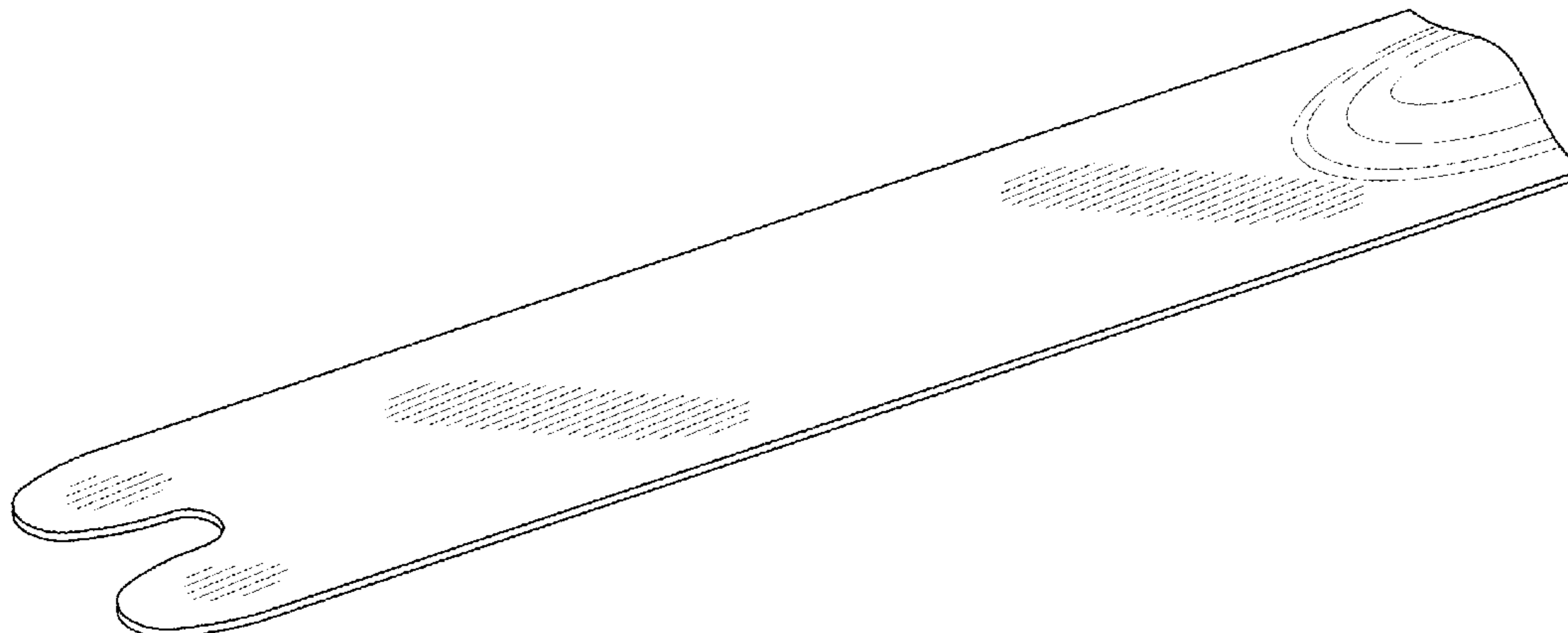
FIG. 2 is a top plan view thereof.

FIG. 3 is a side elevational view thereof.

FIG. 4 is a rear elevational view thereof; and,

FIG. 5 is a front elevational view thereof.

**1 Claim, 1 Drawing Sheet**



**US D728,110 S**

Page 2

---

(56)

**References Cited**

U.S. PATENT DOCUMENTS

D687,950 S \* 8/2013 Gitman ..... D24/133  
D707,354 S \* 6/2014 Seitz, III ..... D24/127

D639,976 S \* 6/2011 Francis et al. .... D24/225 \* cited by examiner

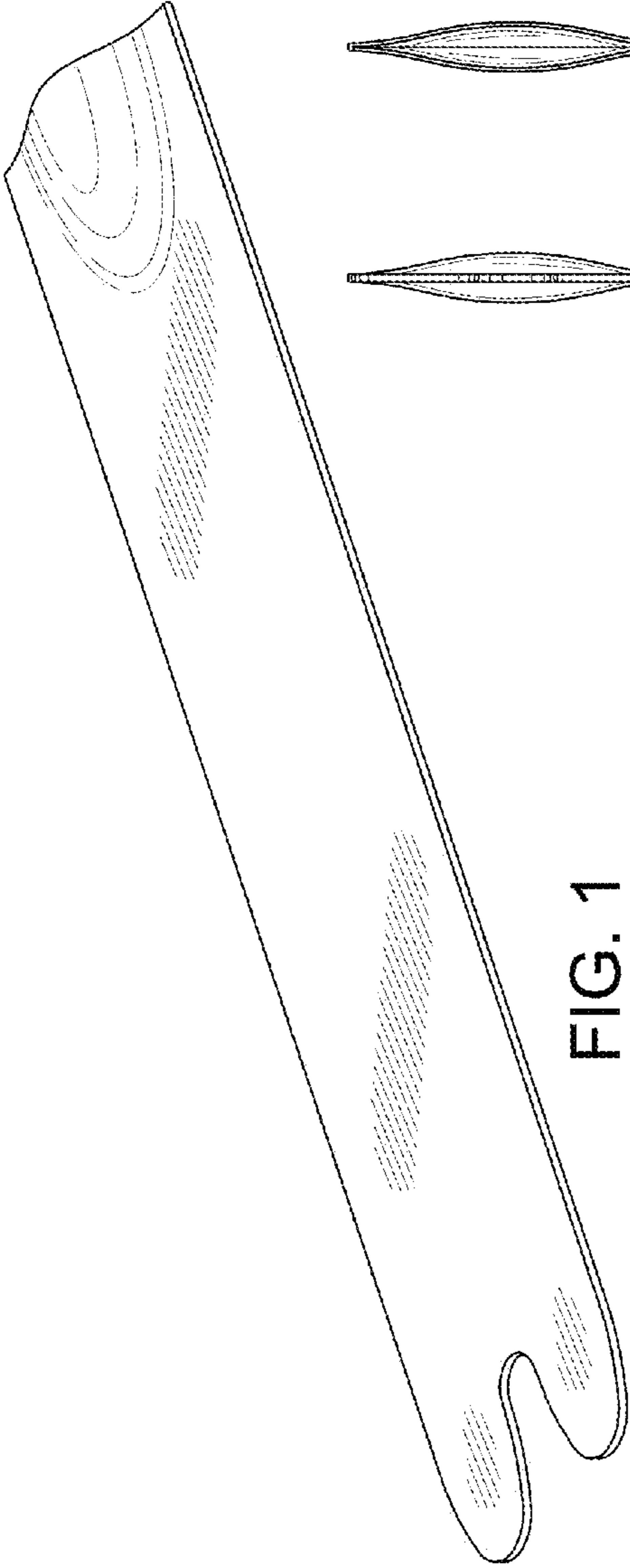


FIG. 1

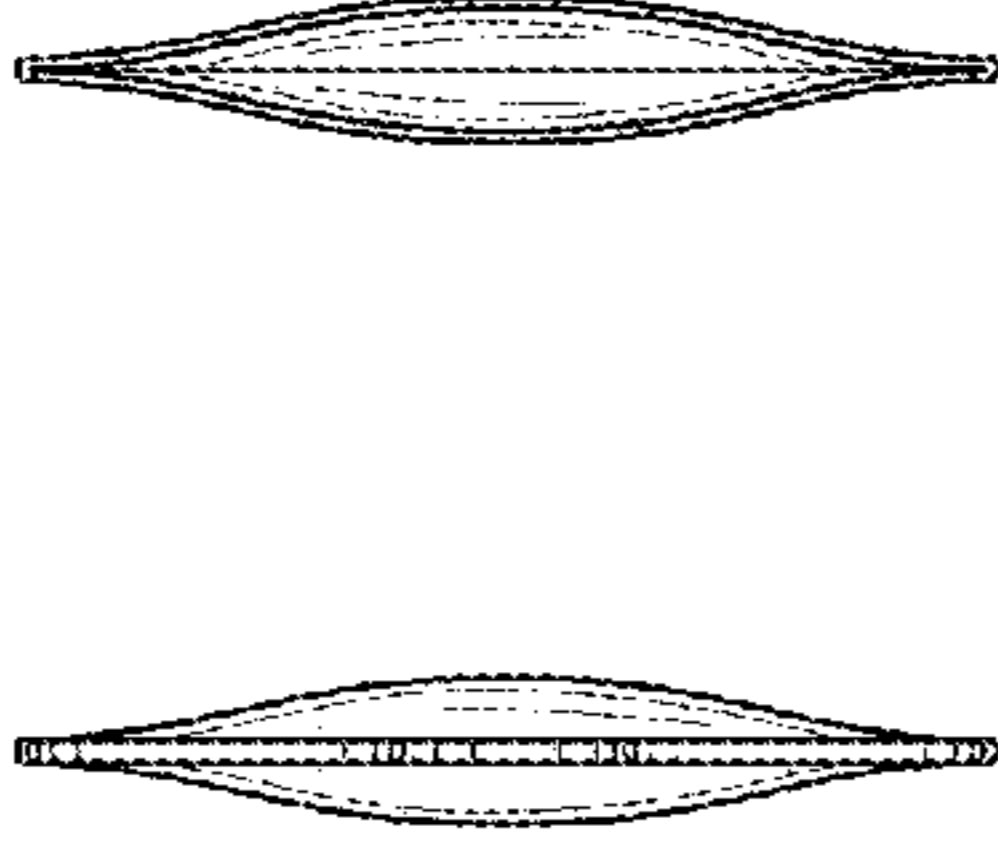


FIG. 4 FIG. 5

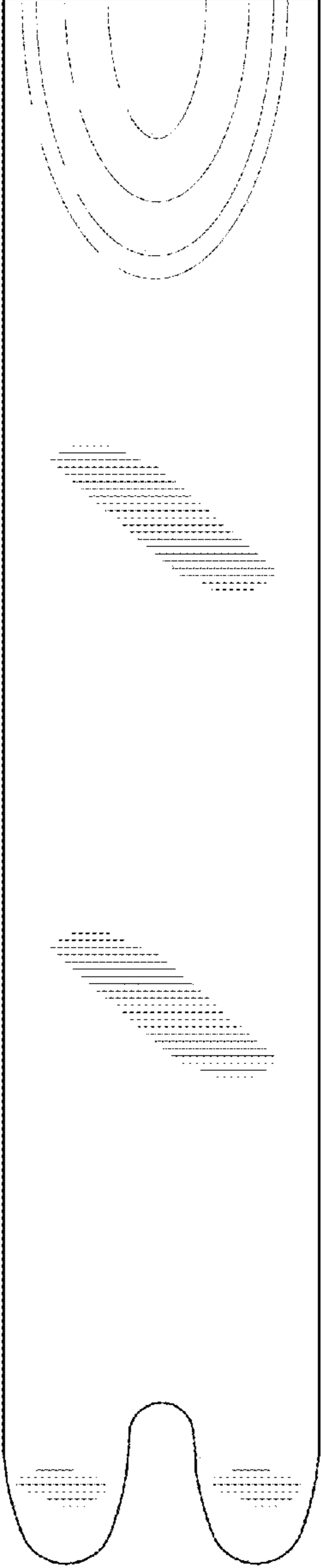


FIG. 2

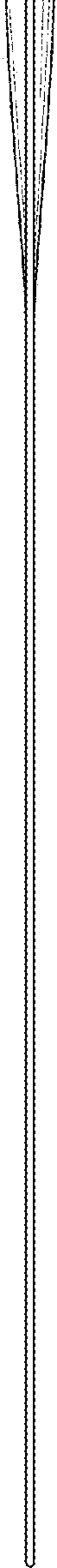


FIG. 3