



US00D728106S

(12) **United States Design Patent**
Laukkanen

(10) **Patent No.:** **US D728,106 S**

(45) **Date of Patent:** **** Apr. 28, 2015**

(54) **DIGITAL BREAST TOMOSYNTHESIS MACHINE**

(71) Applicant: **Tapio Laukkanen**, Espoo (FI)

(72) Inventor: **Tapio Laukkanen**, Espoo (FI)

(73) Assignee: **Planmed Oy**, Helsinki (FI)

(**) Term: **14 Years**

(21) Appl. No.: **29/491,908**

(22) Filed: **May 27, 2014**

(30) **Foreign Application Priority Data**

Nov. 27, 2013 (EM) 002352492-0001

(51) **LOC (10) Cl.** **24-01**

(52) **U.S. Cl.**
USPC **D24/158**

(58) **Field of Classification Search**
USPC D24/158-161, 185, 186, 183, 184;
378/4, 15, 17, 21, 23-27, 62, 68,
378/196-198, 37, 204, 208; 600/407, 409,
600/410, 415, 421, 422, 425

See application file for complete search history.

(56) **References Cited**

U.S. PATENT DOCUMENTS

D331,110	S	*	11/1992	Virta et al.	D24/158
7,302,031	B2	*	11/2007	Hjarn	378/37
D563,553	S	*	3/2008	Saito et al.	D24/158
7,978,812	B2	*	7/2011	Thaler	378/37
D659,833	S	*	5/2012	Ogura	D24/158
D669,989	S	*	10/2012	Boudier	D24/158
D691,723	S	*	10/2013	Patil et al.	D24/158
2011/0087132	A1	*	4/2011	DeFreitas et al.	378/37

* cited by examiner

Primary Examiner — Anhdao Doan

(74) *Attorney, Agent, or Firm* — Fay Sharpe LLP

(57) **CLAIM**

The ornamental design for a digital breast tomosynthesis machine, as shown and described.

DESCRIPTION

FIG. 1 is a perspective view of a digital breast tomosynthesis machine;

FIG. 2 is a front plan view thereof;

FIG. 3 is a first side plan view thereof;

FIG. 4 is a rear plan view thereof;

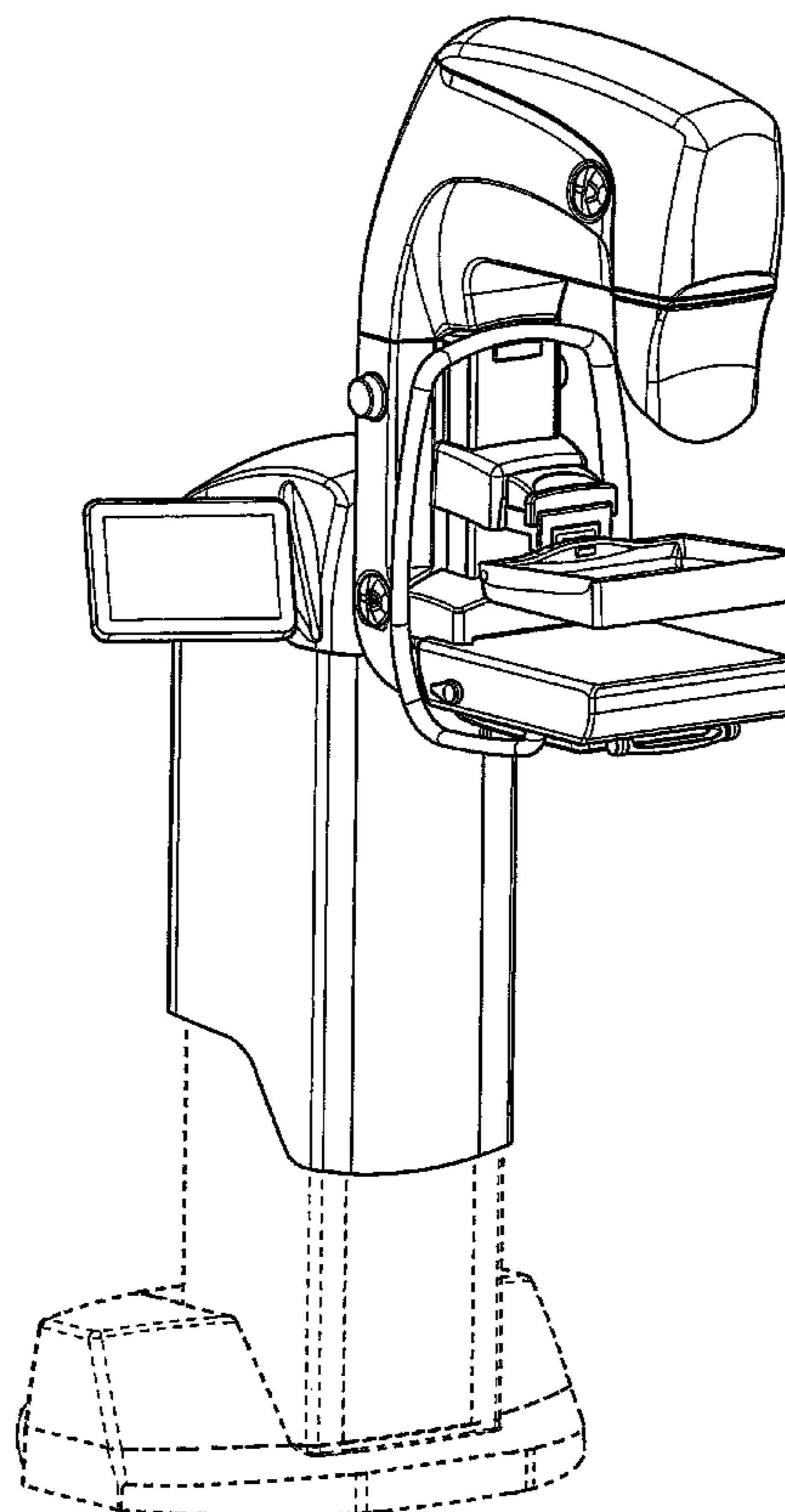
FIG. 5 is the other side plan view thereof;

FIG. 6 is a top end view thereof; and,

FIG. 7 is a bottom end view thereof.

The broken lines in the drawing views are included for the purpose of illustrating portions of the digital breast tomosynthesis machine that form no part of the claimed design.

1 Claim, 7 Drawing Sheets



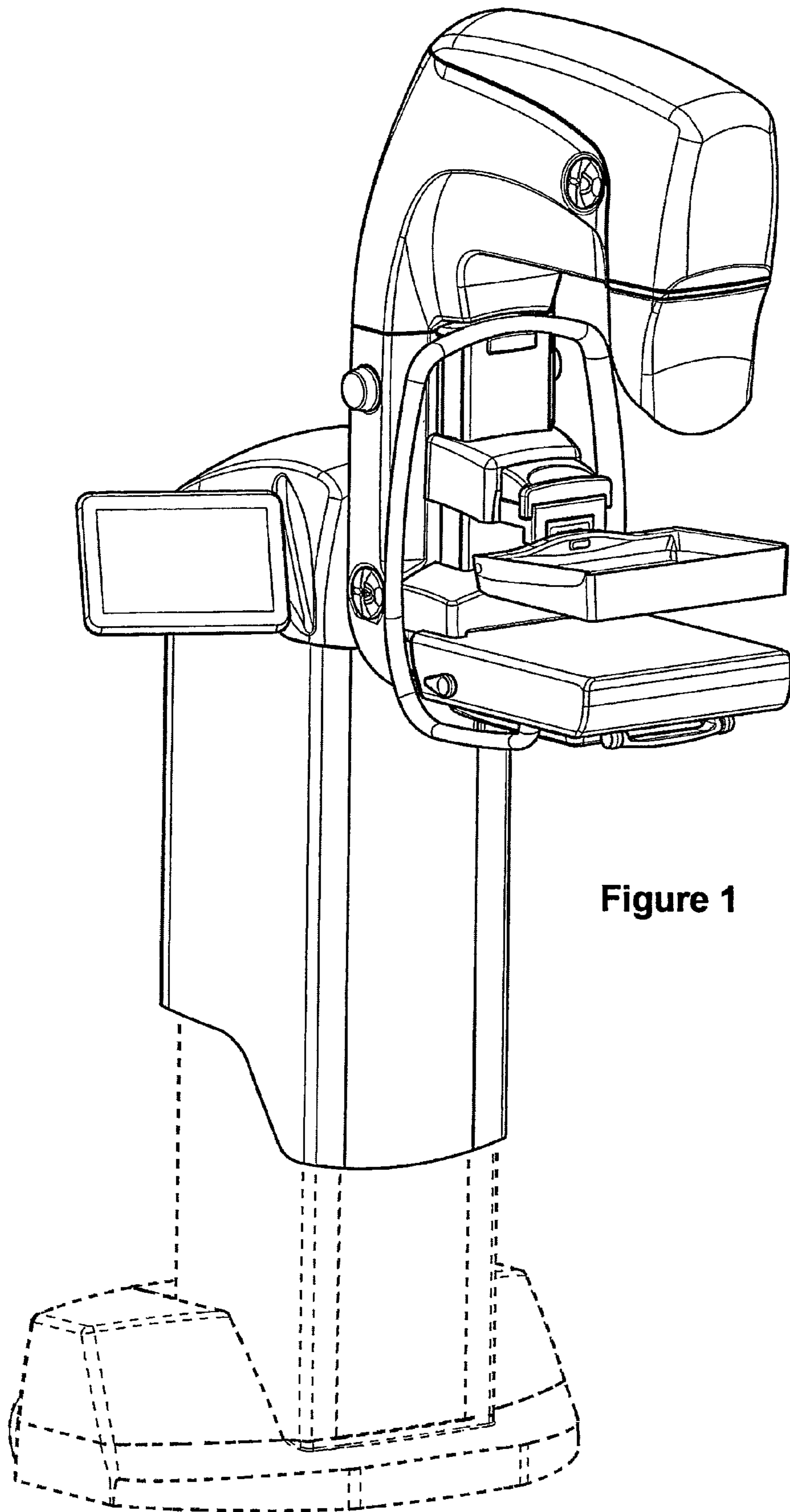


Figure 1

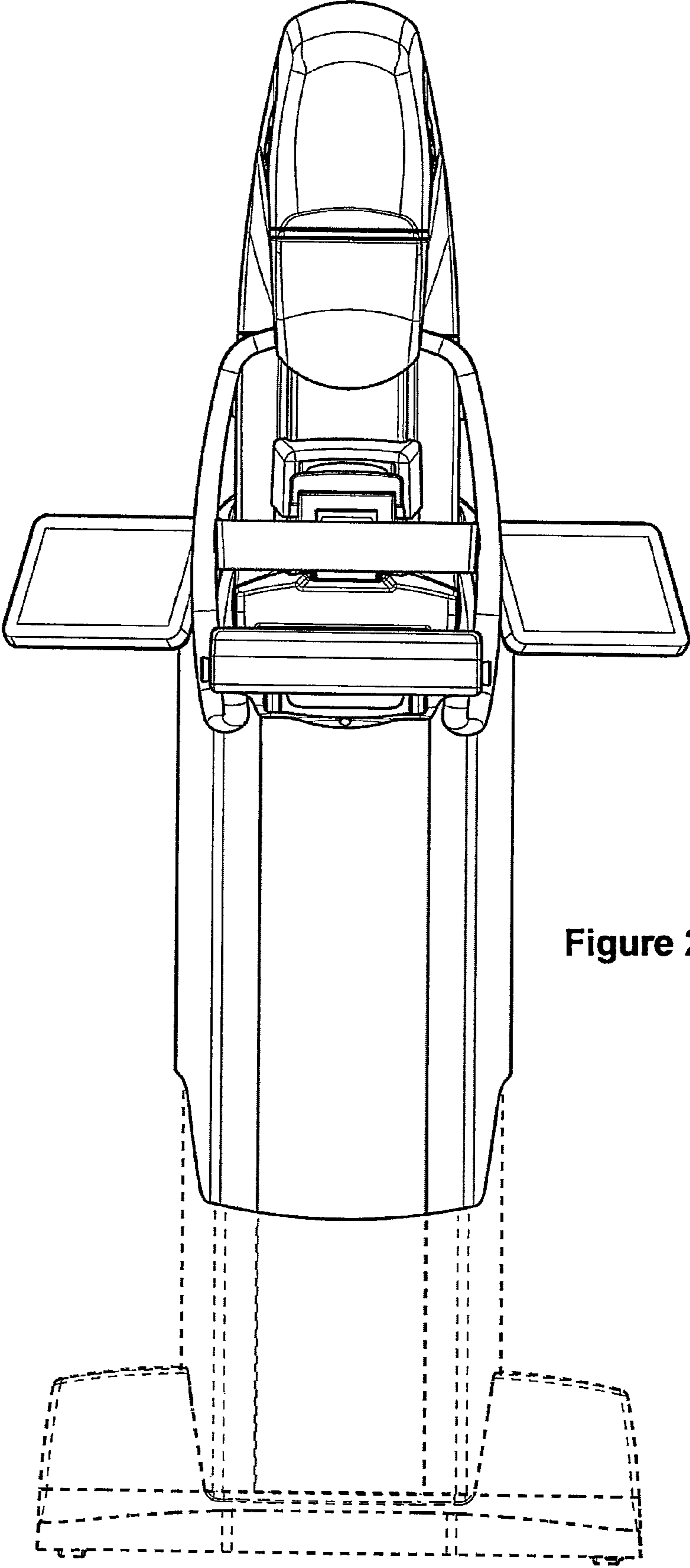


Figure 2

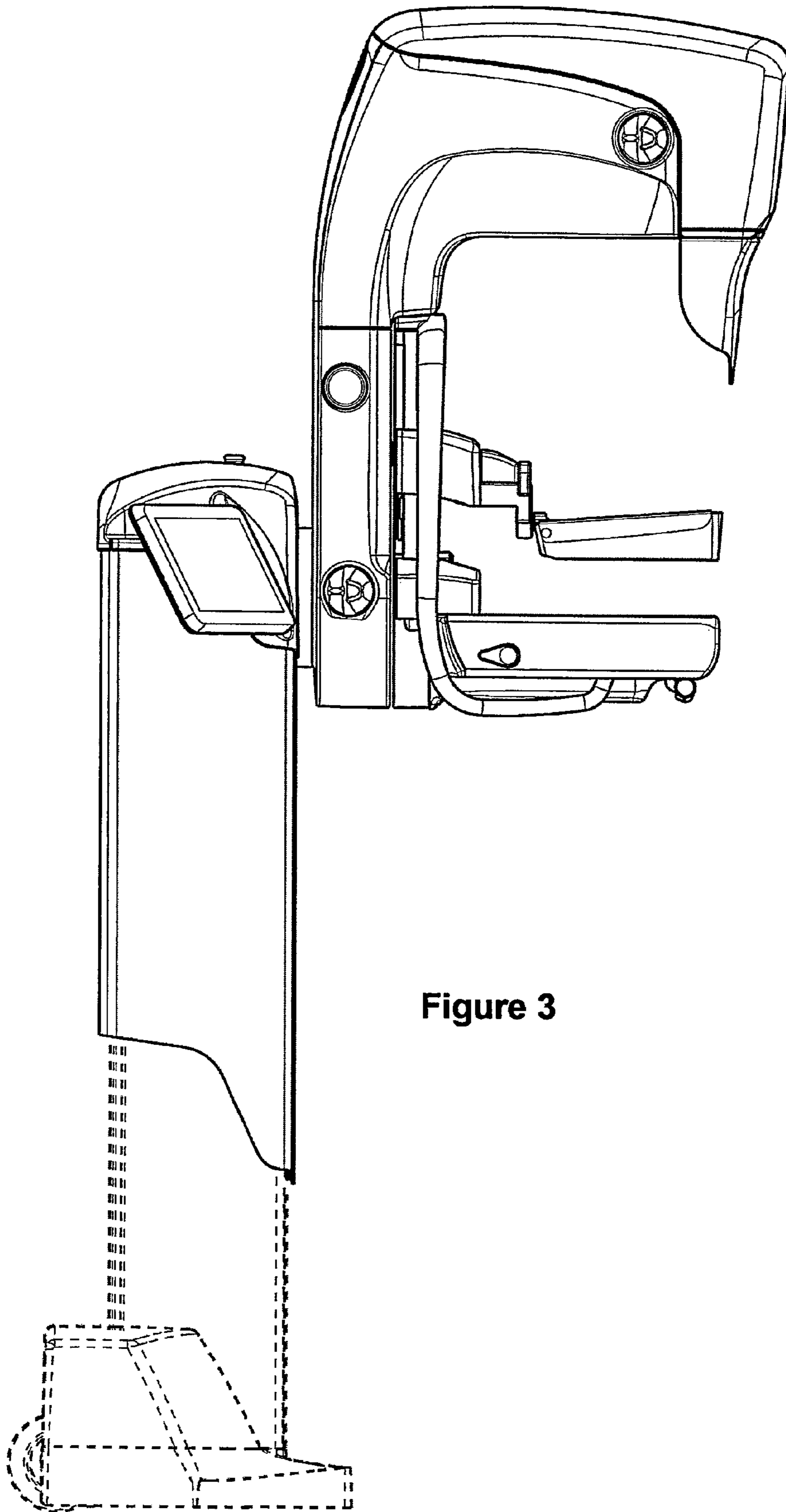


Figure 3

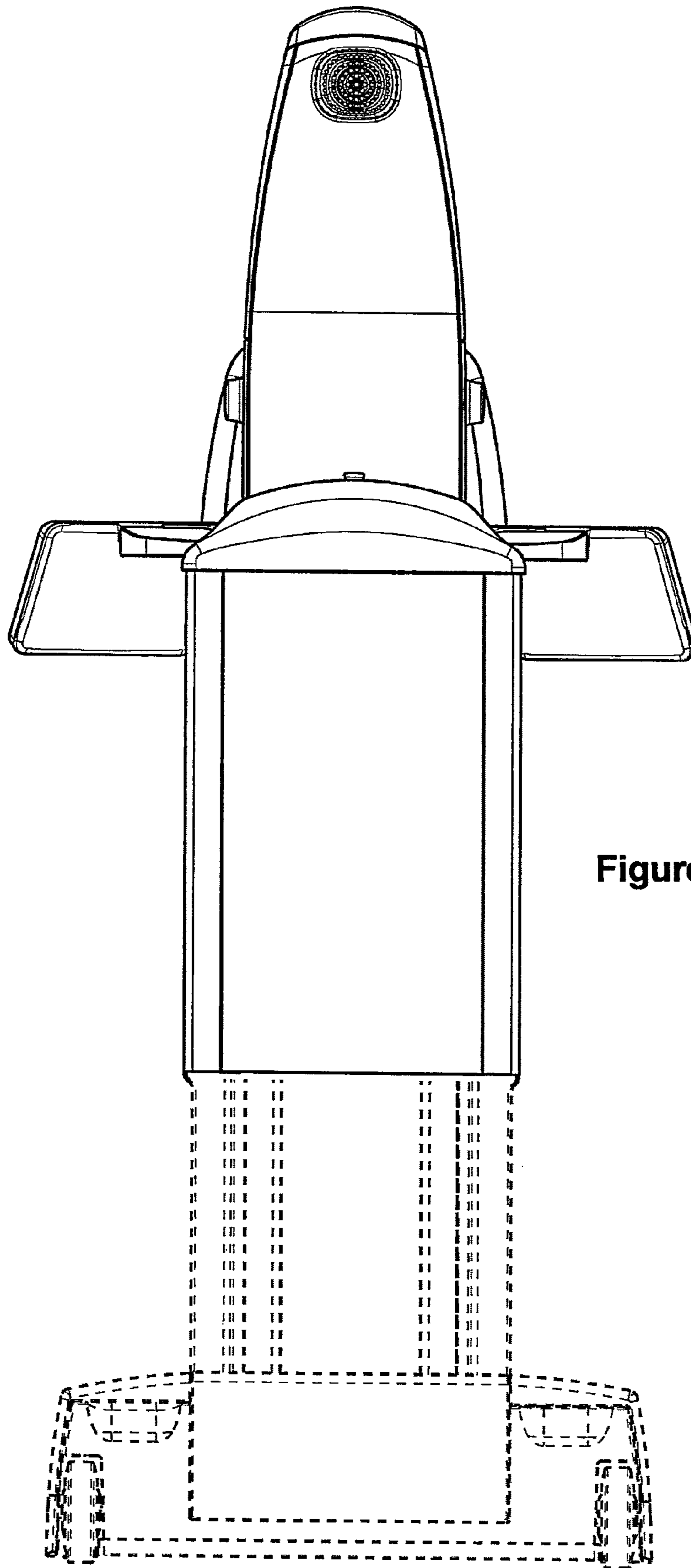


Figure 4

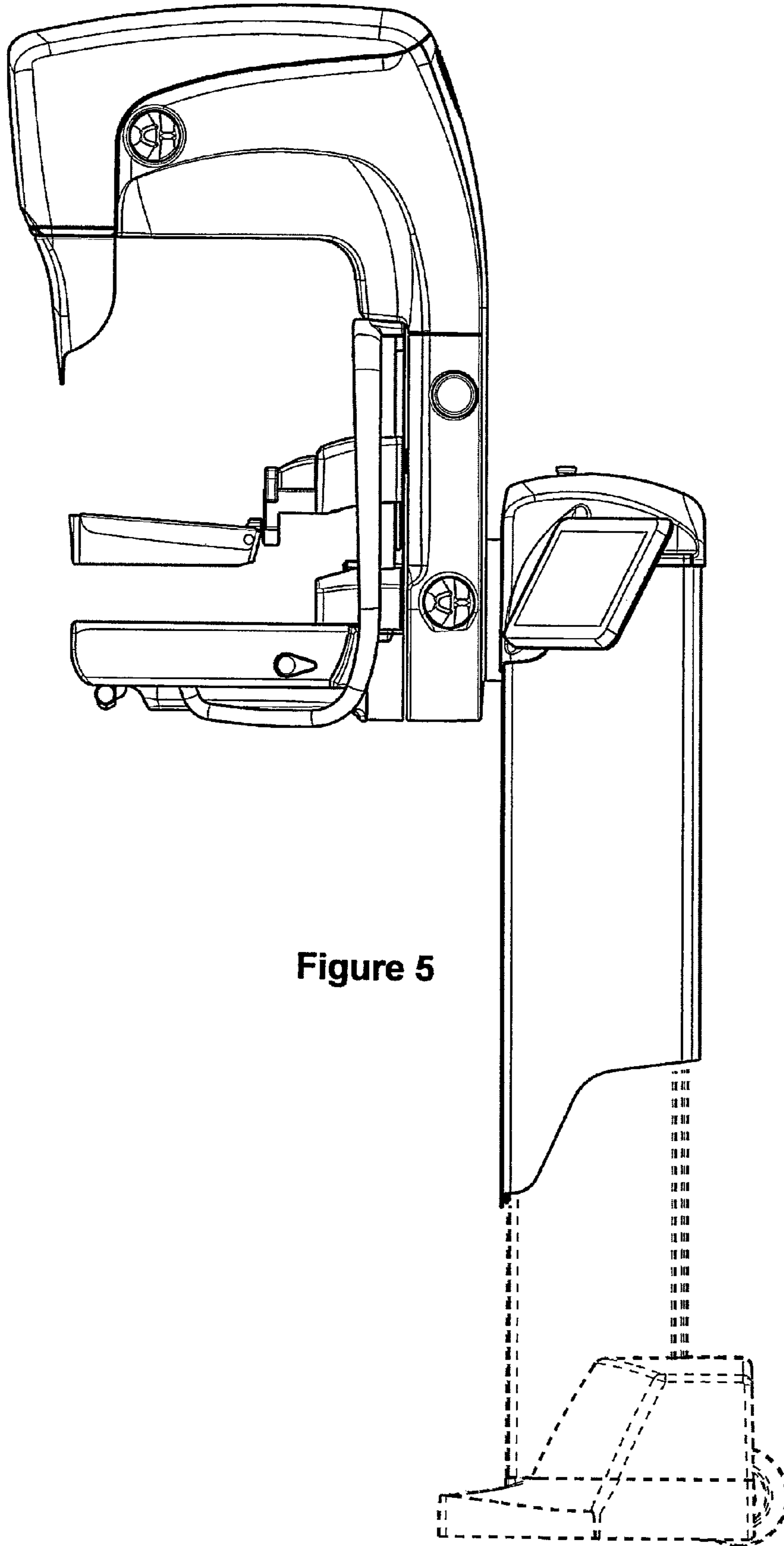


Figure 5

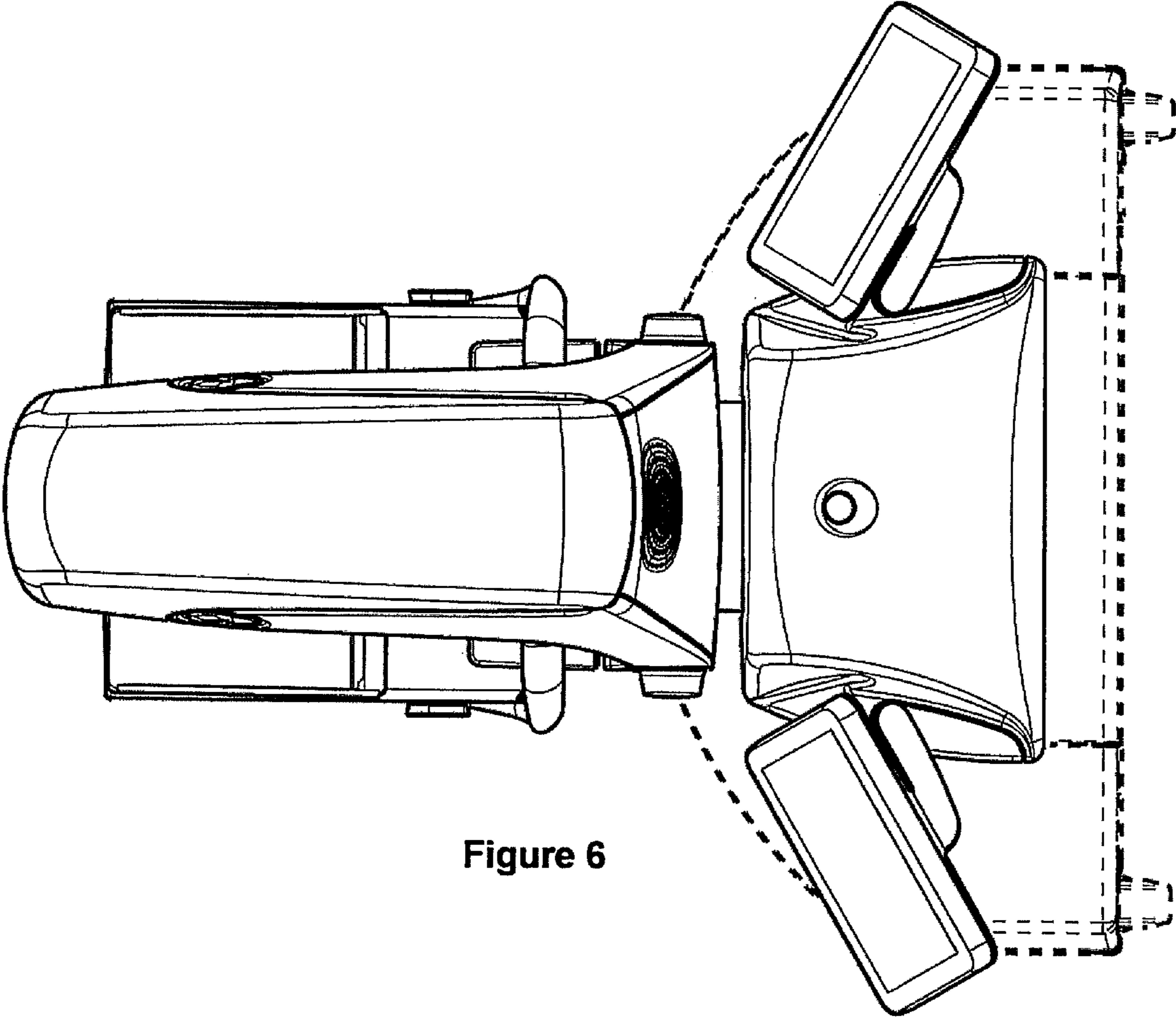


Figure 6

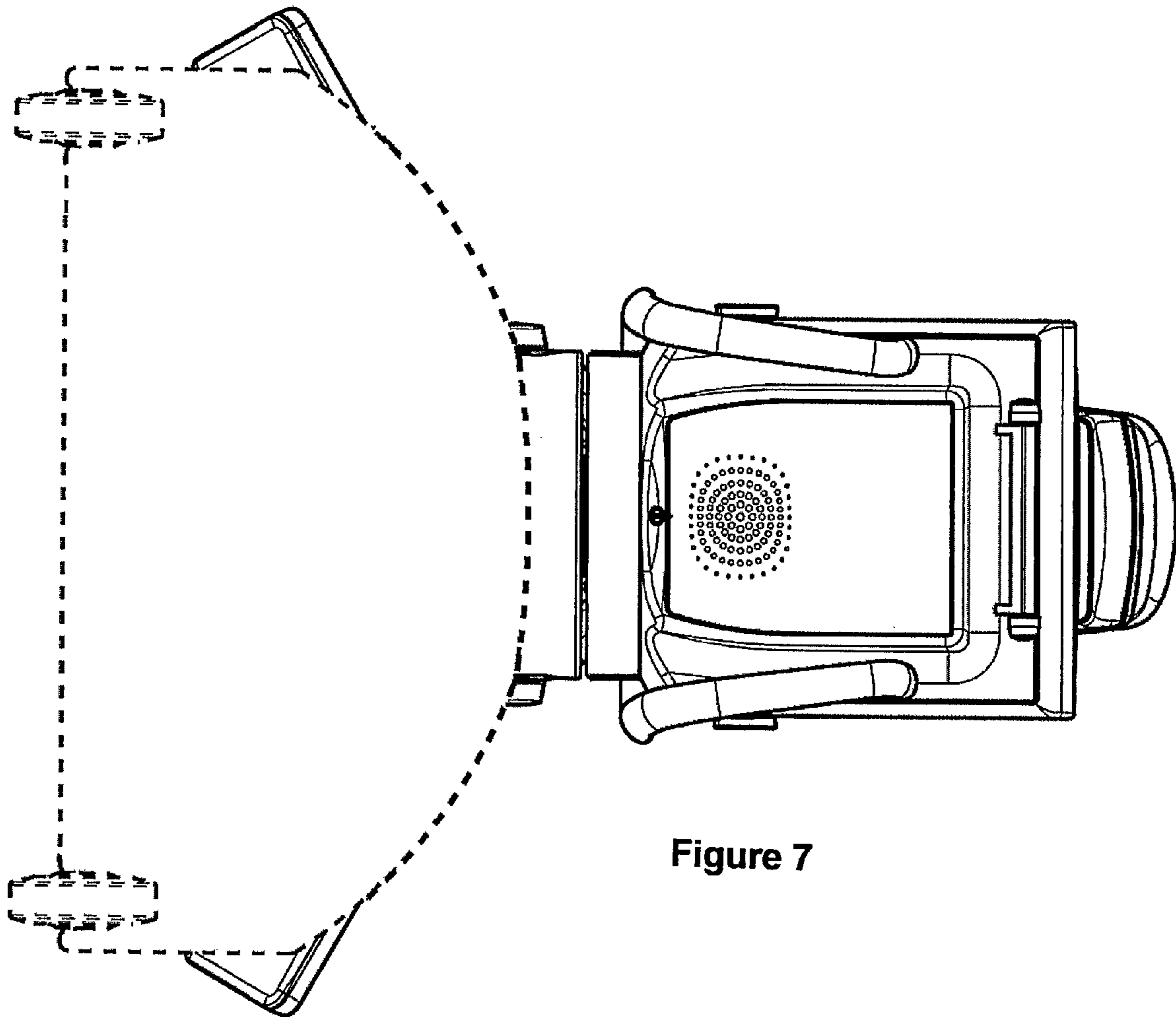


Figure 7