



US00D728105S

(12) **United States Design Patent**
Kim et al.

(10) **Patent No.:** **US D728,105 S**
(45) **Date of Patent:** **** Apr. 28, 2015**

(54) **COMPUTER TOMOGRAPHY APPARATUS**

(56) **References Cited**

(71) Applicant: **Samsung Electronics Co., Ltd.**,
Suwon-Si, Gyeonggi-Do (KR)
(72) Inventors: **Yun-Su Kim**, Seoul (KR); **Euisik Kim**,
Seoul (KR); **Yeonmoo Chung**, Seoul
(KR)
(73) Assignee: **Samsung Electronics Co., Ltd.**,
Gyeonggi-Do (KR)

U.S. PATENT DOCUMENTS

D414,868 S *	10/1999	Baars	D24/158
D420,134 S *	2/2000	Kitayama	D24/159
D557,418 S *	12/2007	Onuma et al.	D24/158
D625,416 S *	10/2010	Kasai et al.	D24/158
D683,023 S *	5/2013	Andersson et al.	D24/158
D697,073 S *	1/2014	Andersson et al.	D14/485
D715,943 S *	10/2014	Zhang et al.	D24/159
D715,944 S *	10/2014	Yao et al.	D24/159

* cited by examiner

(**) Term: **14 Years**

Primary Examiner — Anhdao Doan

(21) Appl. No.: **29/482,731**

(74) *Attorney, Agent, or Firm* — Harness, Dickey & Pierce

(22) Filed: **Feb. 21, 2014**

(57) **CLAIM**

We claim, the ornamental design for a computer tomography apparatus, as shown and described.

(30) **Foreign Application Priority Data**

DESCRIPTION

Aug. 28, 2013 (KR) 30-2013-0044199

(51) **LOC (10) Cl.** **24-01**

(52) **U.S. Cl.**
USPC **D24/158**

(58) **Field of Classification Search**
USPC D24/158-161, 185, 186; 378/4, 15, 17,
378/21, 23-27, 62, 68, 196-198; 600/407,
600/409, 410, 415, 421, 422, 425
See application file for complete search history.

FIG. 1 is the front perspective view of a computer tomography apparatus showing my new design; FIG. 2 is a front elevation view thereof; FIG. 3 is a rear elevation view thereof; FIG. 4 is a side elevation view thereof; FIG. 5 is another side elevation view thereof; FIG. 6 is a top plan view thereof; and, FIG. 7 is a bottom plan view thereof.

1 Claim, 7 Drawing Sheets

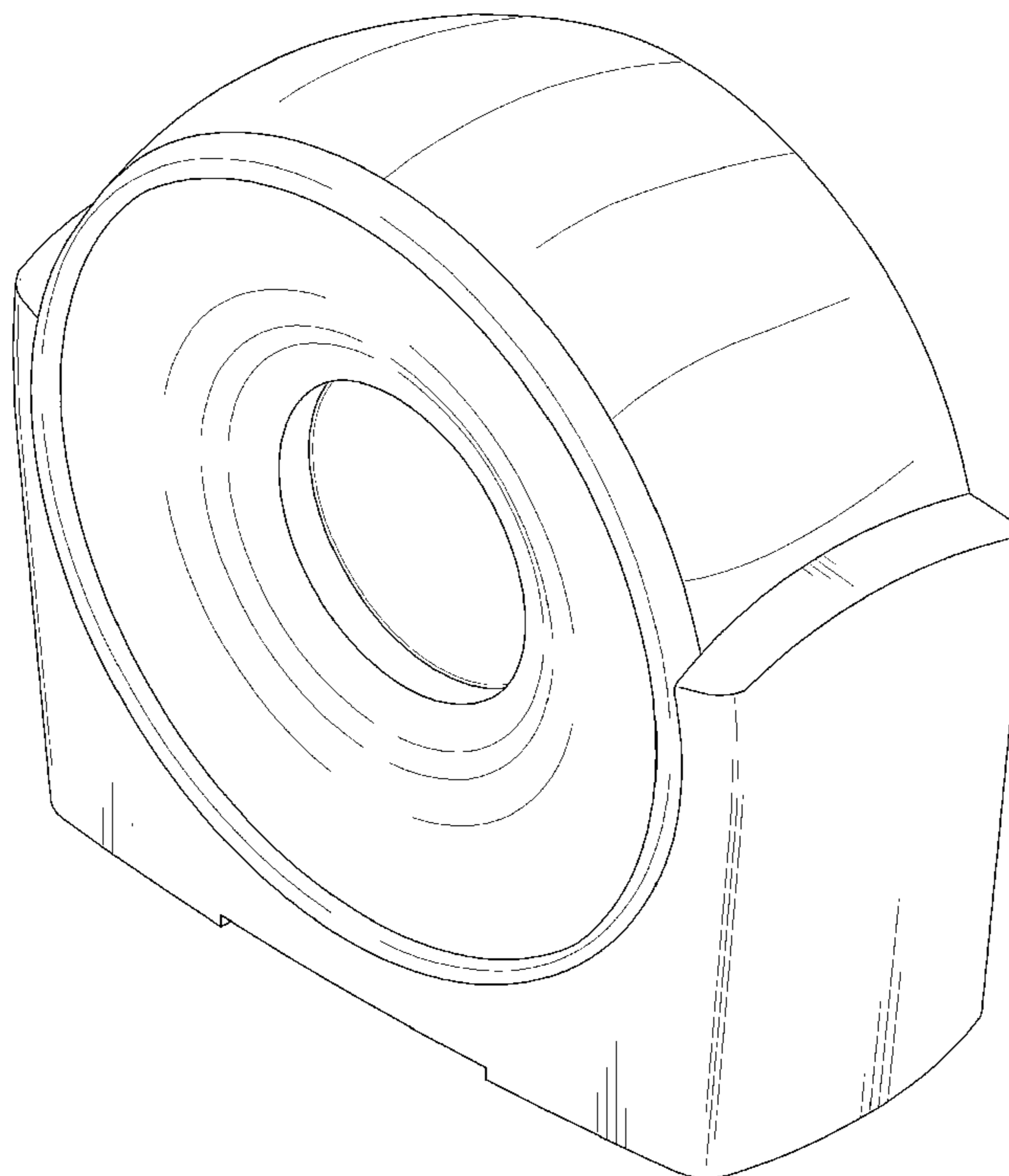


FIG. 1

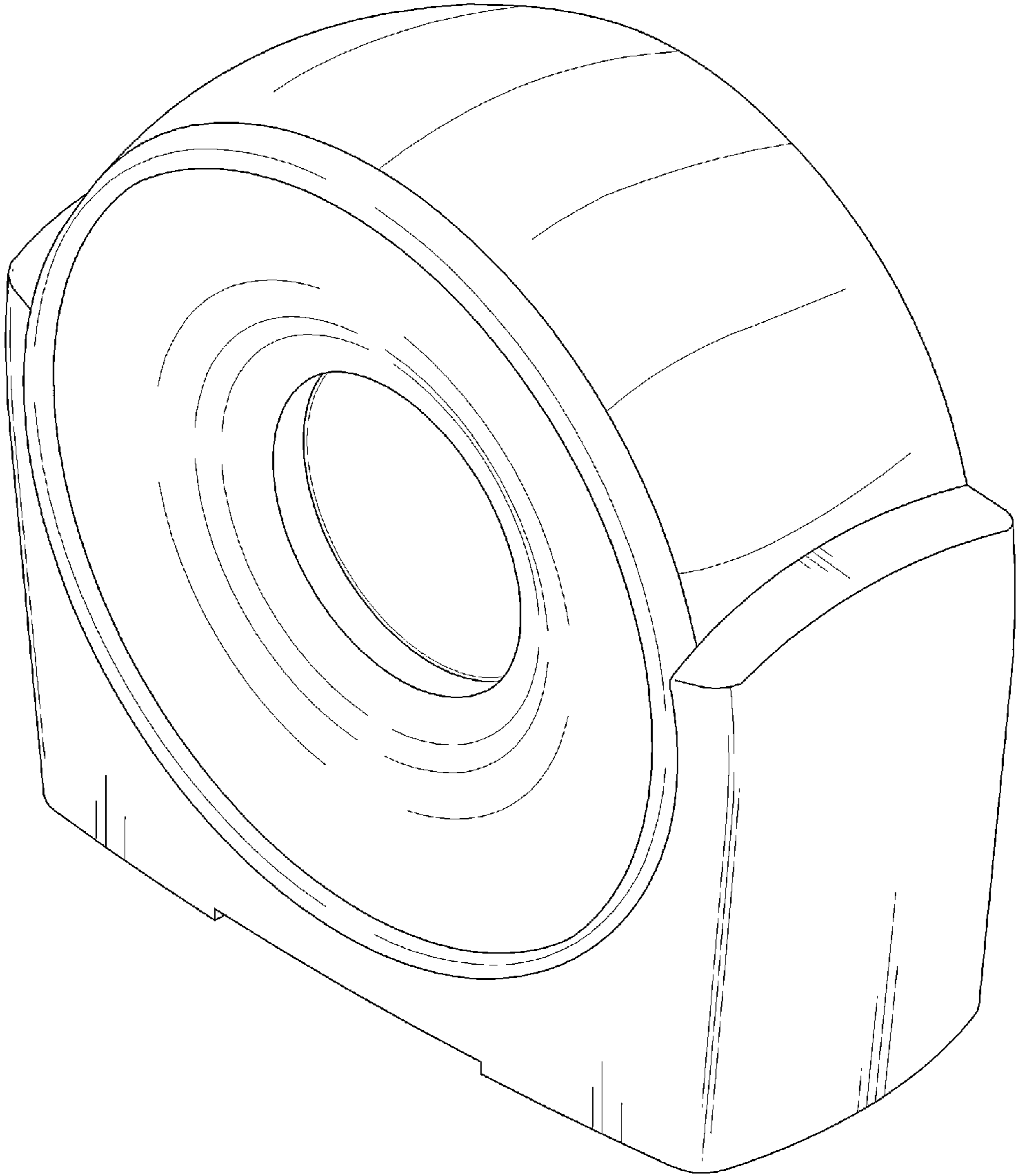


FIG. 2

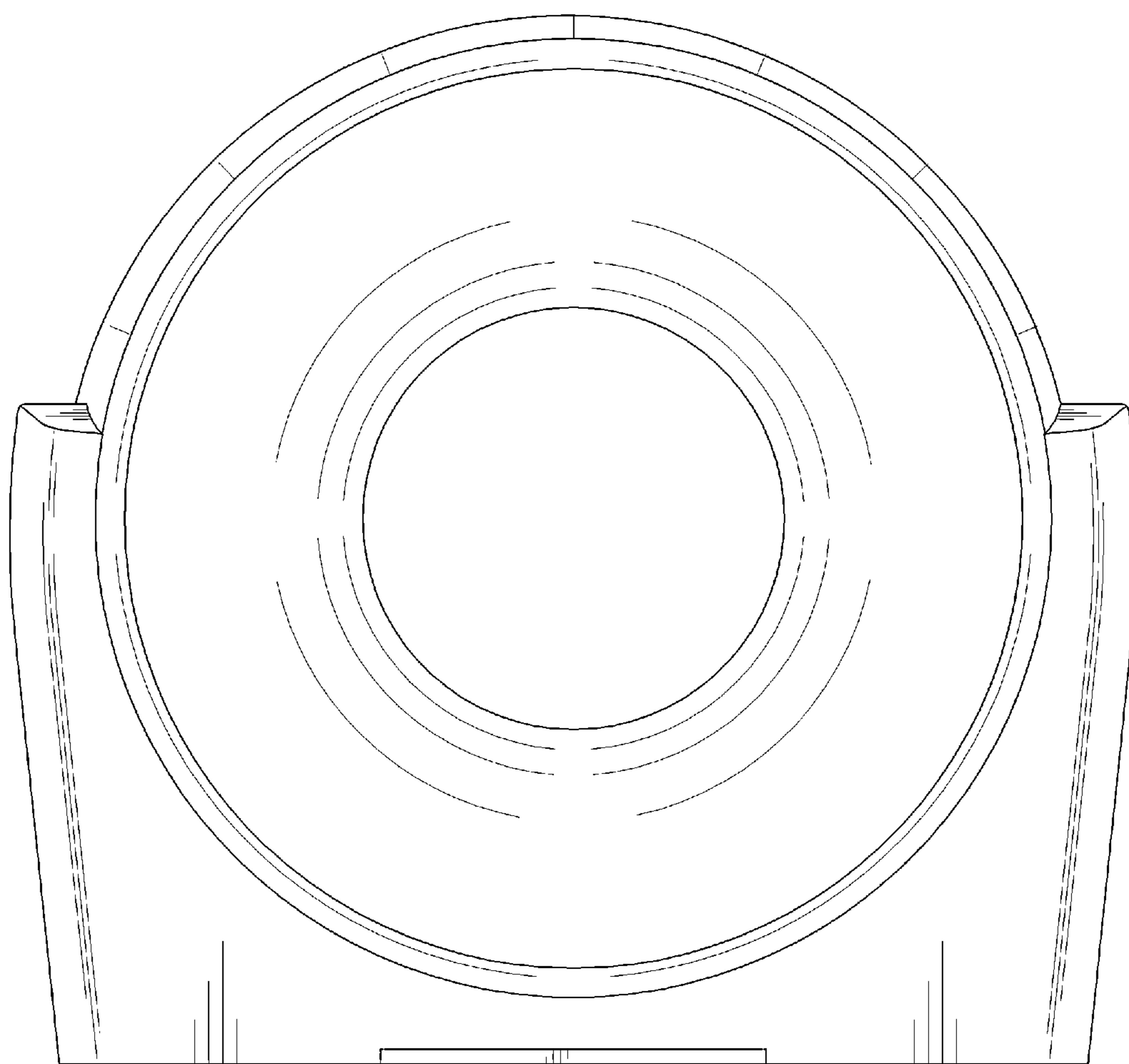


FIG. 3

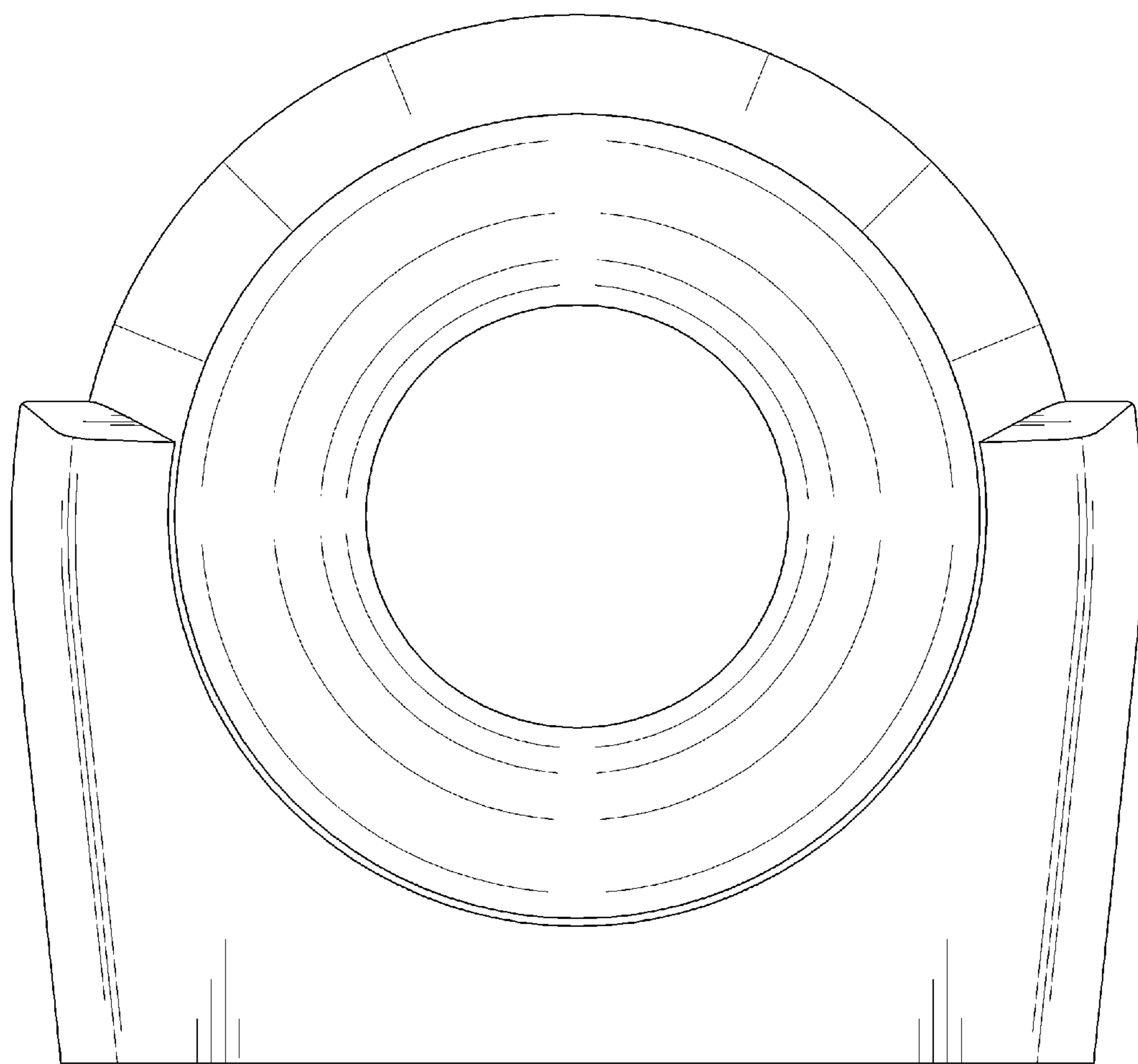


FIG. 4

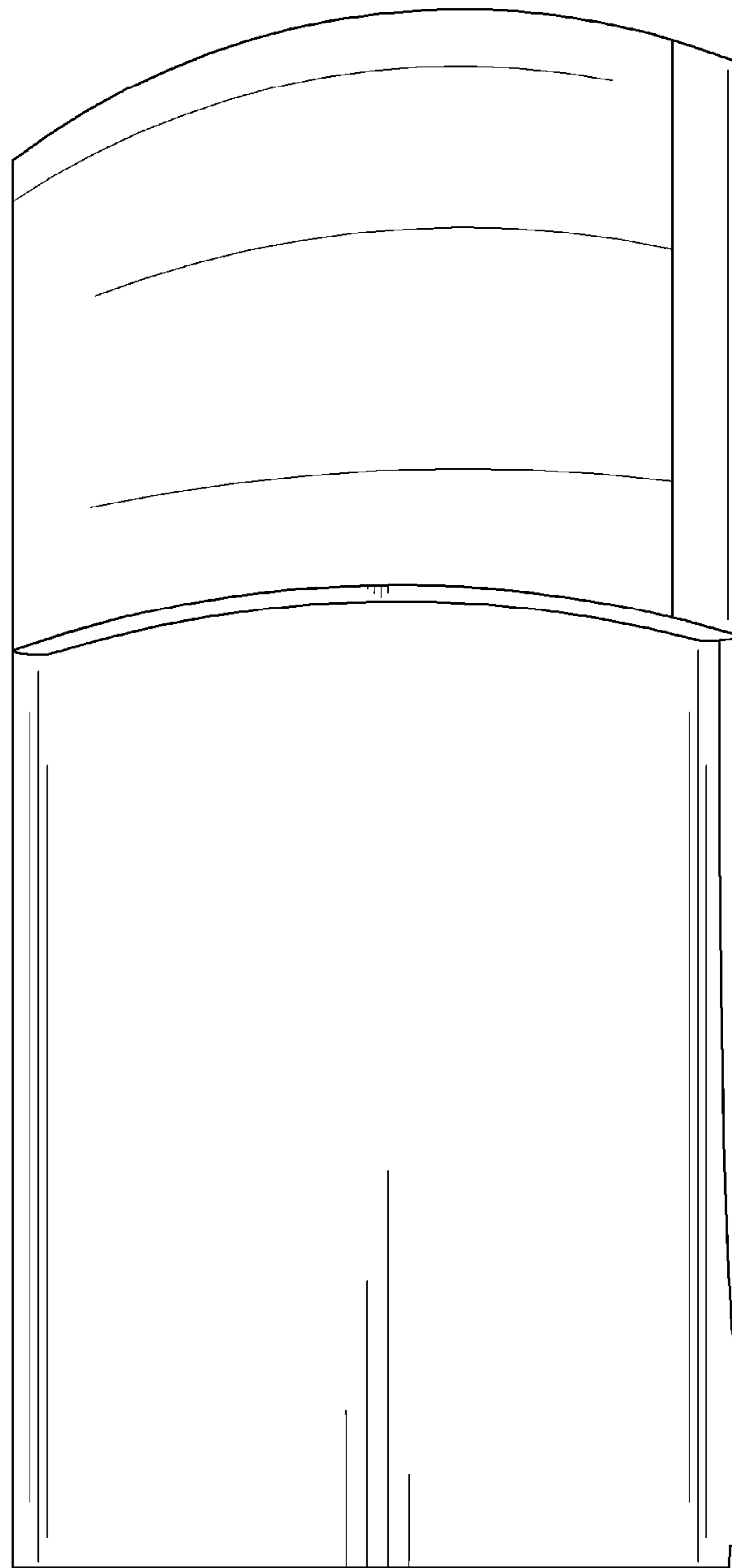


FIG. 5

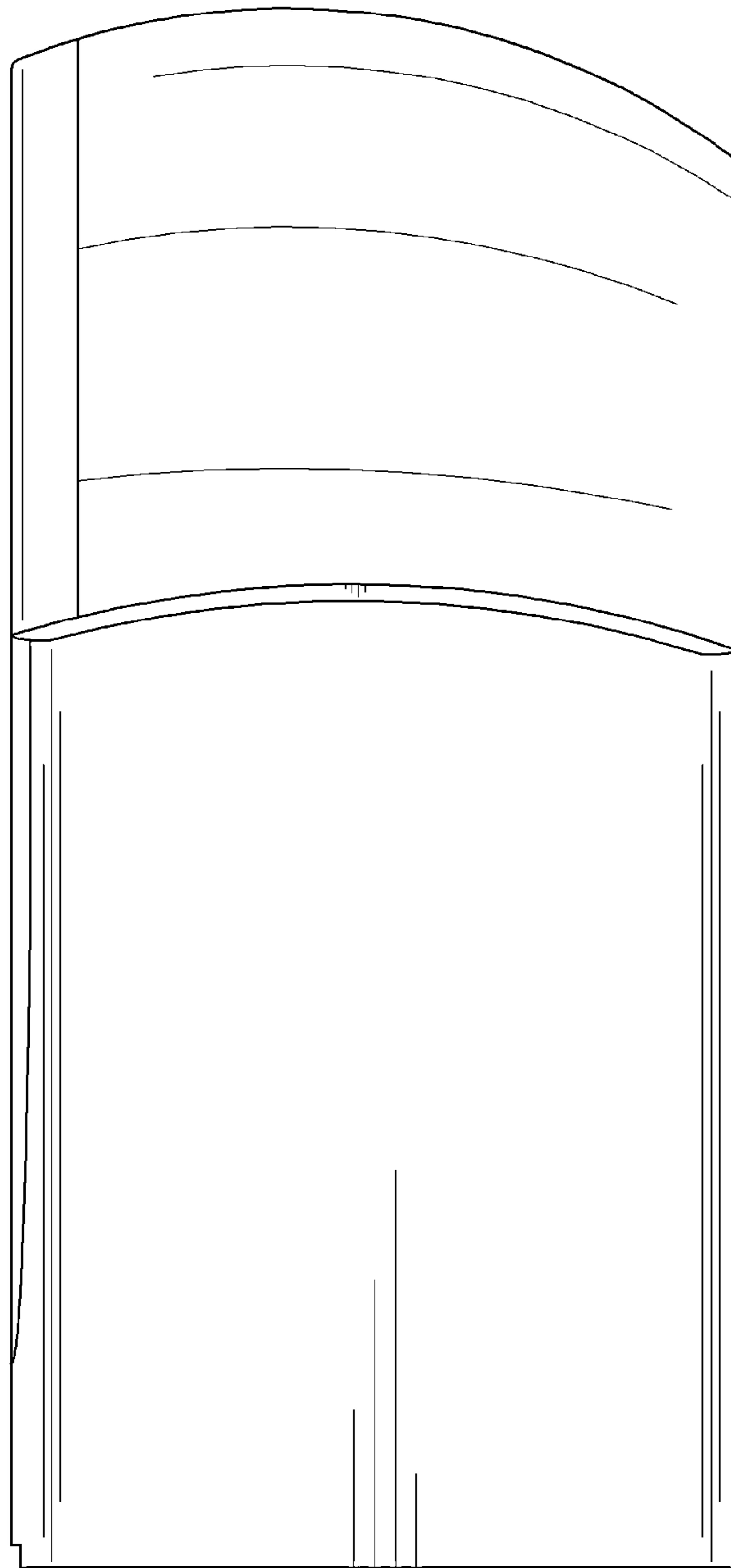


FIG. 6

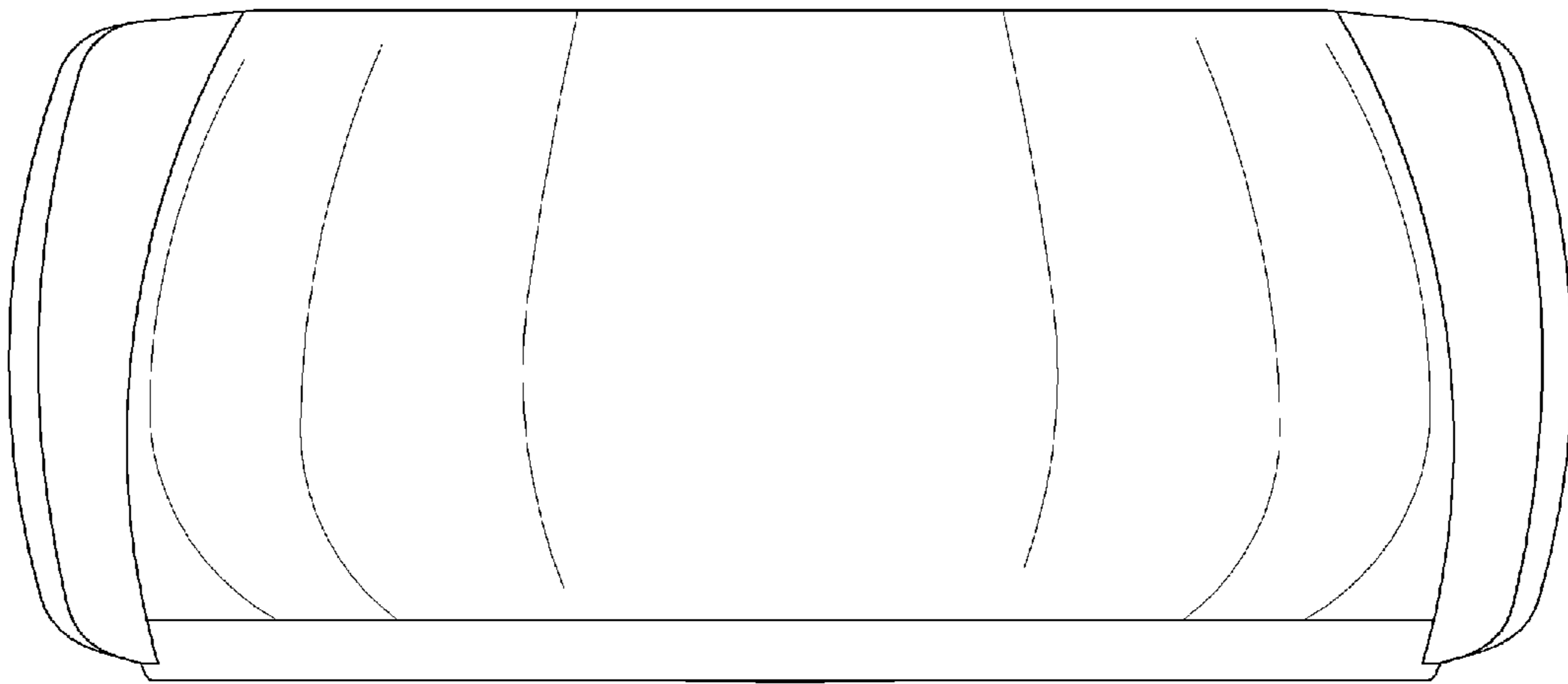


FIG. 7

