



US00D728103S

(12) **United States Design Patent**
Katchis et al.

(10) **Patent No.:** **US D728,103 S**
(45) **Date of Patent:** **** Apr. 28, 2015**

(54) **BONE FUSION IMPLANT**
(71) Applicant: **Nextremity Solutions, Inc.**, Red Bank, NJ (US)
(72) Inventors: **Stuart D. Katchis**, Scarsdale, NY (US); **Lon S. Weiner**, Rumson, NJ (US); **John R. Pepper**, Cheshire, CT (US)
(73) Assignee: **Nextremity Solutions, Inc.**, Red Bank, NJ (US)
(**) Term: **14 Years**

(21) Appl. No.: **29/462,898**
(22) Filed: **Aug. 9, 2013**
(51) **LOC (10) Cl.** **24-02**
(52) **U.S. Cl.**
USPC **D24/155**
(58) **Field of Classification Search**
USPC D24/155, 156, 145; 606/75, 86 R, 248, 606/282, 293, 297; 623/11, 16, 17.11, 623/17.13, 19.11; D8/391-393, 367; 227/902
See application file for complete search history.

(56) **References Cited**
U.S. PATENT DOCUMENTS
D281,814 S * 12/1985 Pratt et al. D24/145
5,454,814 A * 10/1995 Comte 606/75
D364,462 S * 11/1995 Michelson D24/145
D378,409 S * 3/1997 Michelson D24/145
5,779,707 A * 7/1998 Bertholet et al. 606/75
6,187,009 B1 * 2/2001 Herzog et al. 606/75
D586,915 S * 2/2009 Grim D24/145
D587,370 S * 2/2009 Coillard-Lavirotte et al. D24/155

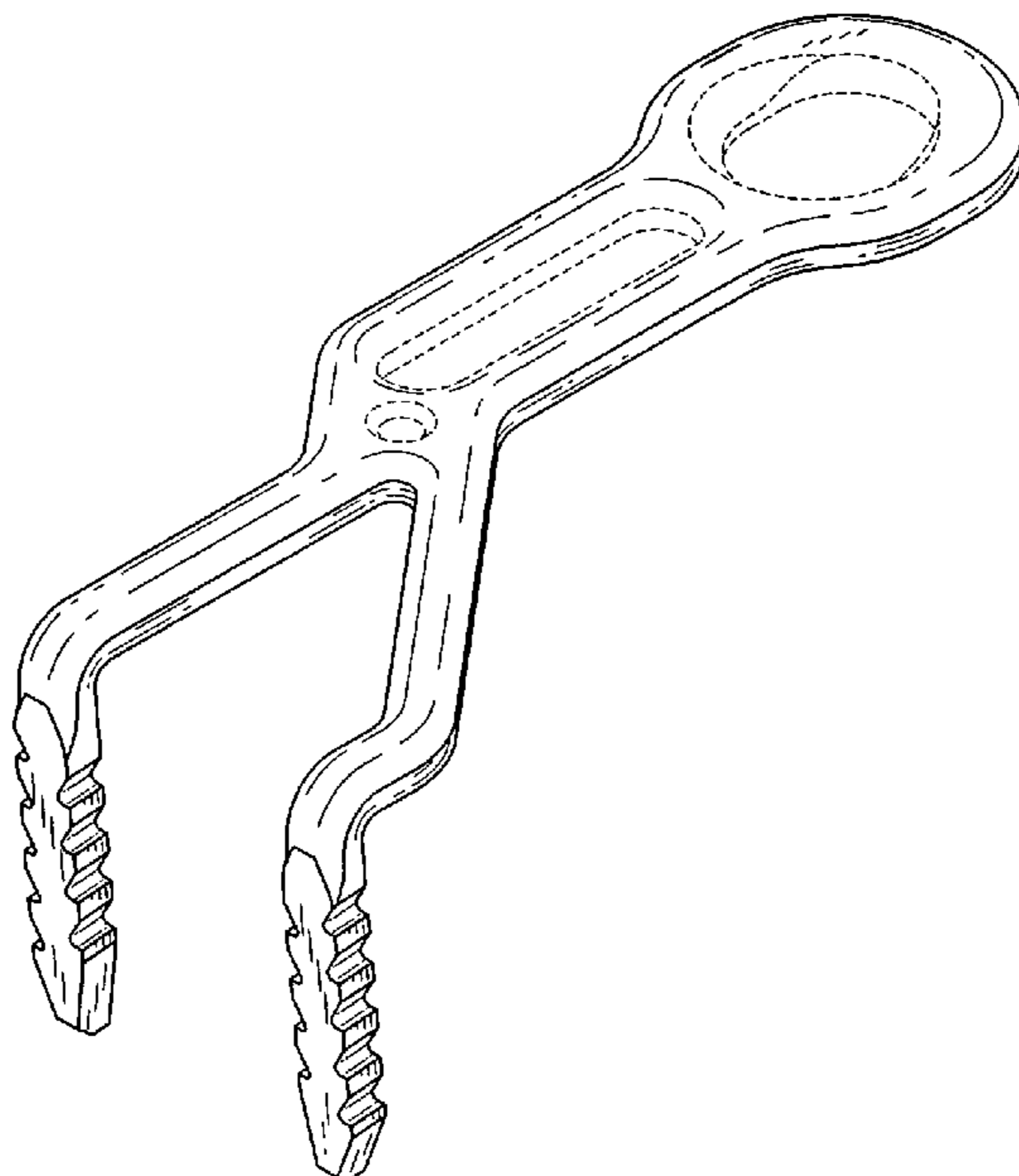
D596,294 S * 7/2009 Coillard-Lavirotte et al. D24/155
8,518,089 B2 * 8/2013 Gabele 606/282
D691,720 S * 10/2013 Cheney et al. D24/145
2004/0127902 A1 * 7/2004 Suzuki et al. 606/69
2010/0174328 A1 * 7/2010 Seaton et al. 606/86 R
2014/0039561 A1 * 2/2014 Weiner et al. 606/282

* cited by examiner
Primary Examiner — Ian Simmons
Assistant Examiner — Charles Hanson
(74) *Attorney, Agent, or Firm* — Heslin Rothenberg Farley & Mesiti P.C.

(57) **CLAIM**
The ornamental design for the bone fusion implant, as shown and described.

DESCRIPTION
FIG. 1 is a top perspective view of the bone fusion implant comprising our new design;
FIG. 2 is a bottom perspective view of the design of FIG. 1;
FIG. 3 is a top plan view of the design of FIG. 1;
FIG. 4 is a bottom plan view of the design of FIG. 1;
FIG. 5 is a front elevational view of the design of FIG. 1;
FIG. 6 is a back elevational view of the design of FIG. 1;
FIG. 7 is a left side elevational view of the design of FIG. 1; and,
FIG. 8 is a right side elevational view of the design of FIG. 1. The broken lines immediately adjacent to the claimed areas represent the bounds of the claimed design while all other broken lines are directed to the environment and are for illustrative purposes only; the broken lines form no part of the claimed design.

1 Claim, 3 Drawing Sheets



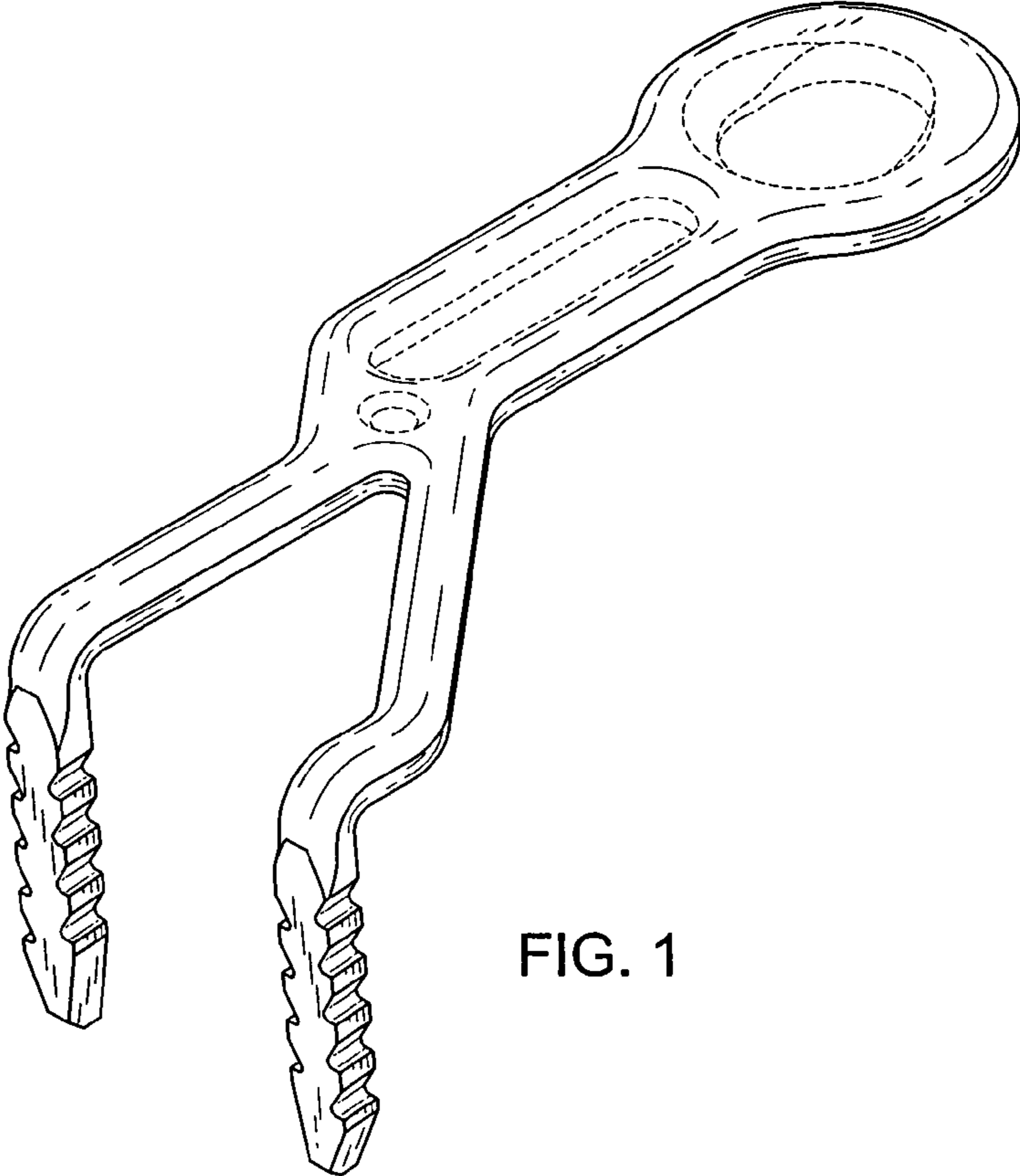


FIG. 1

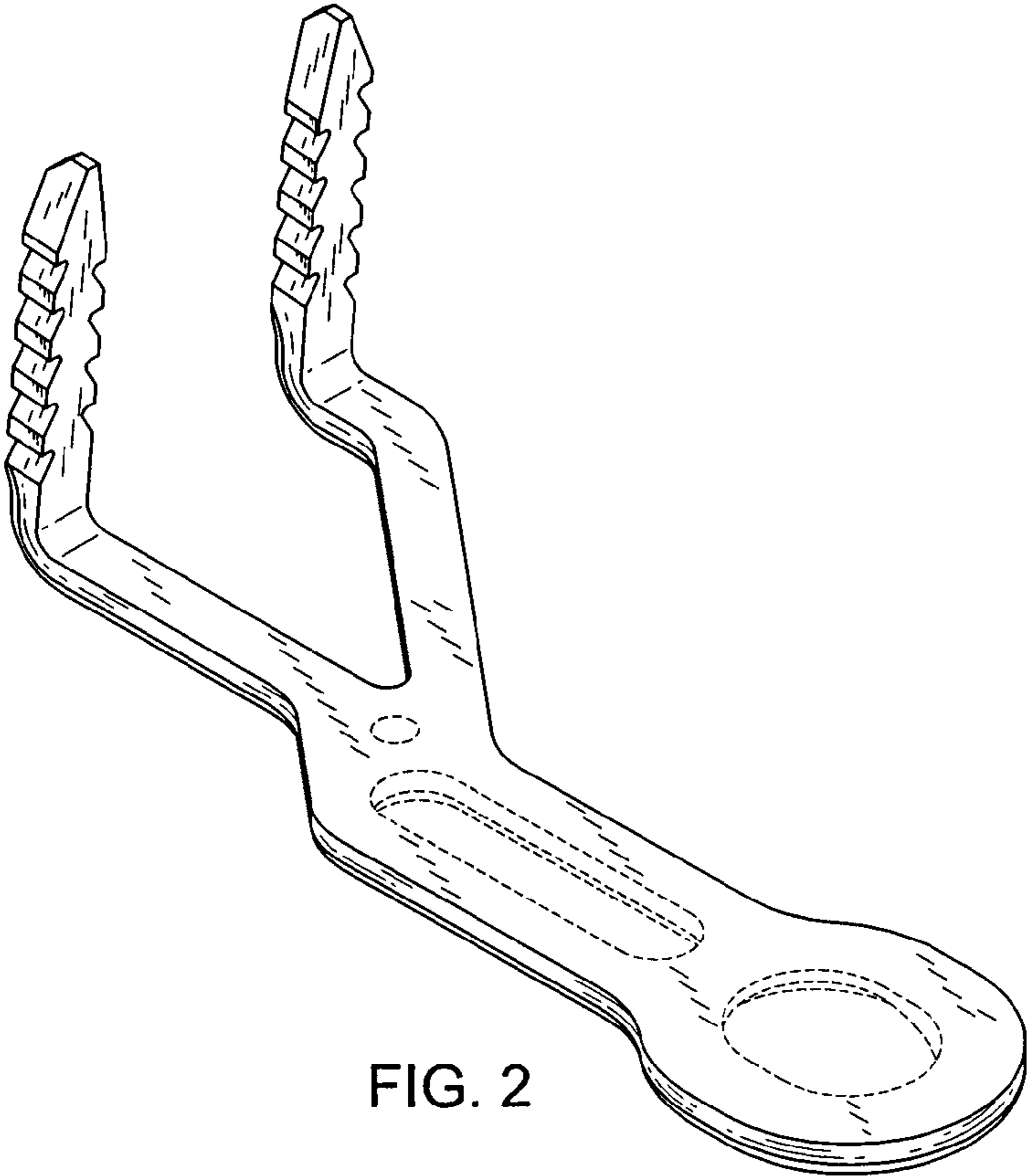
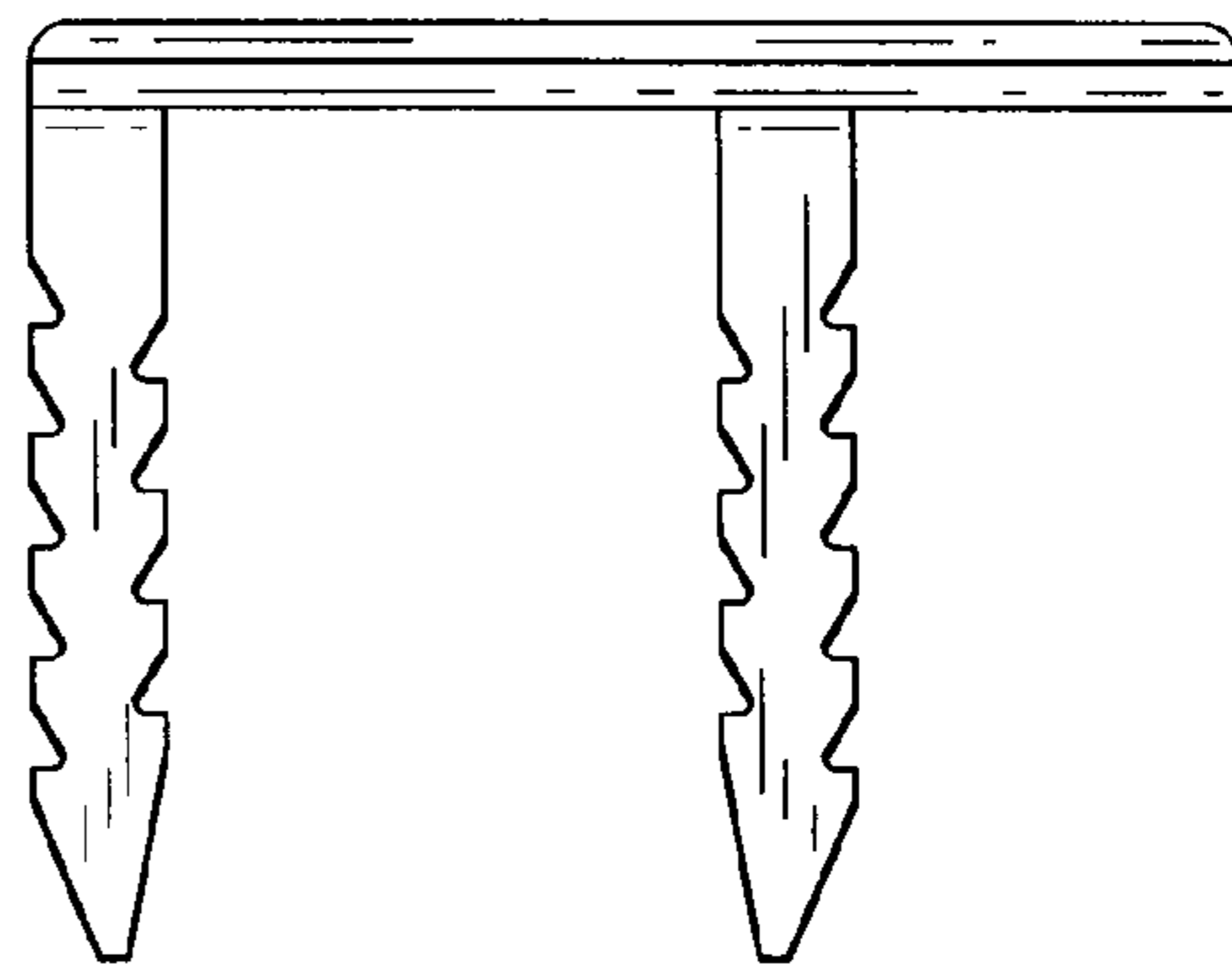
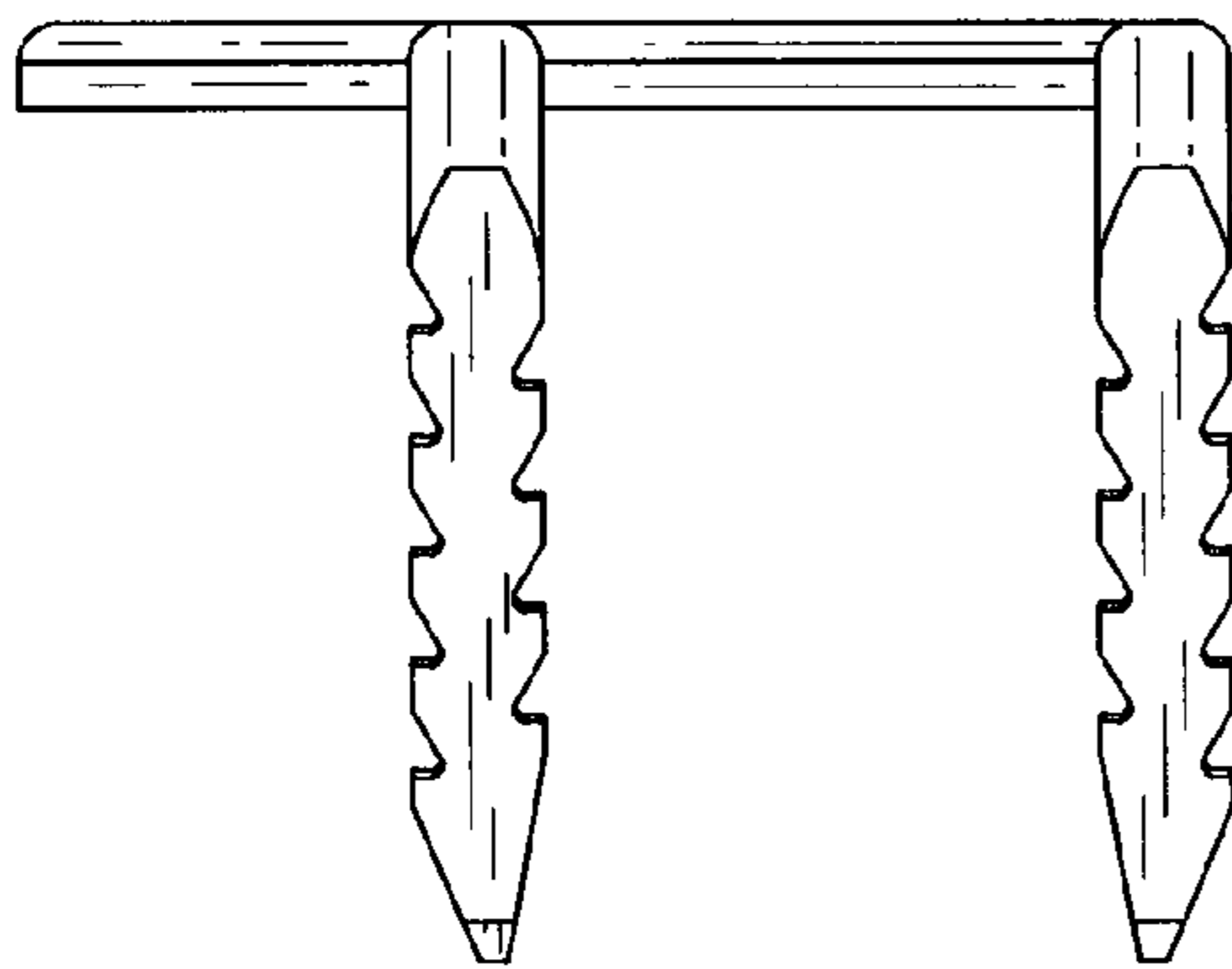
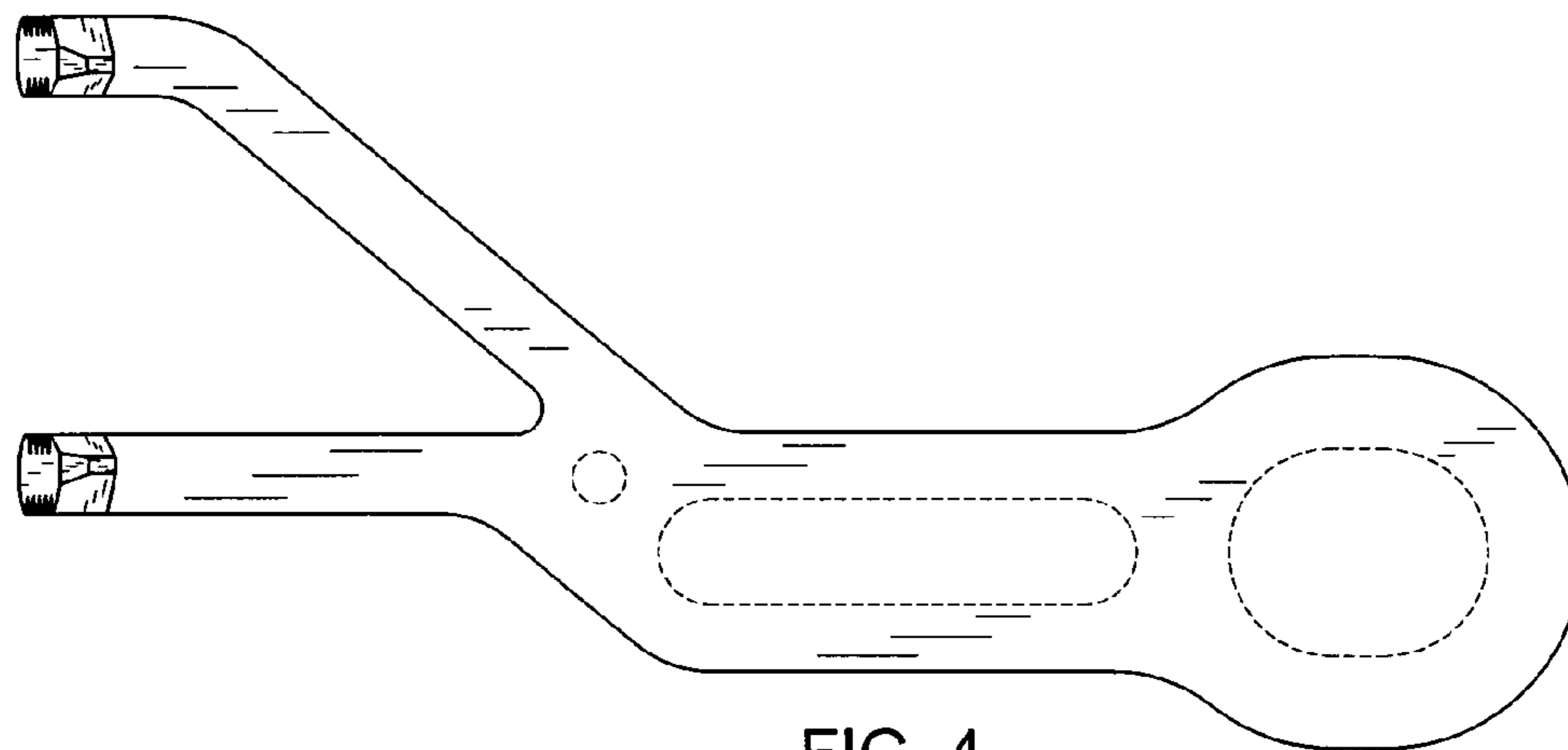
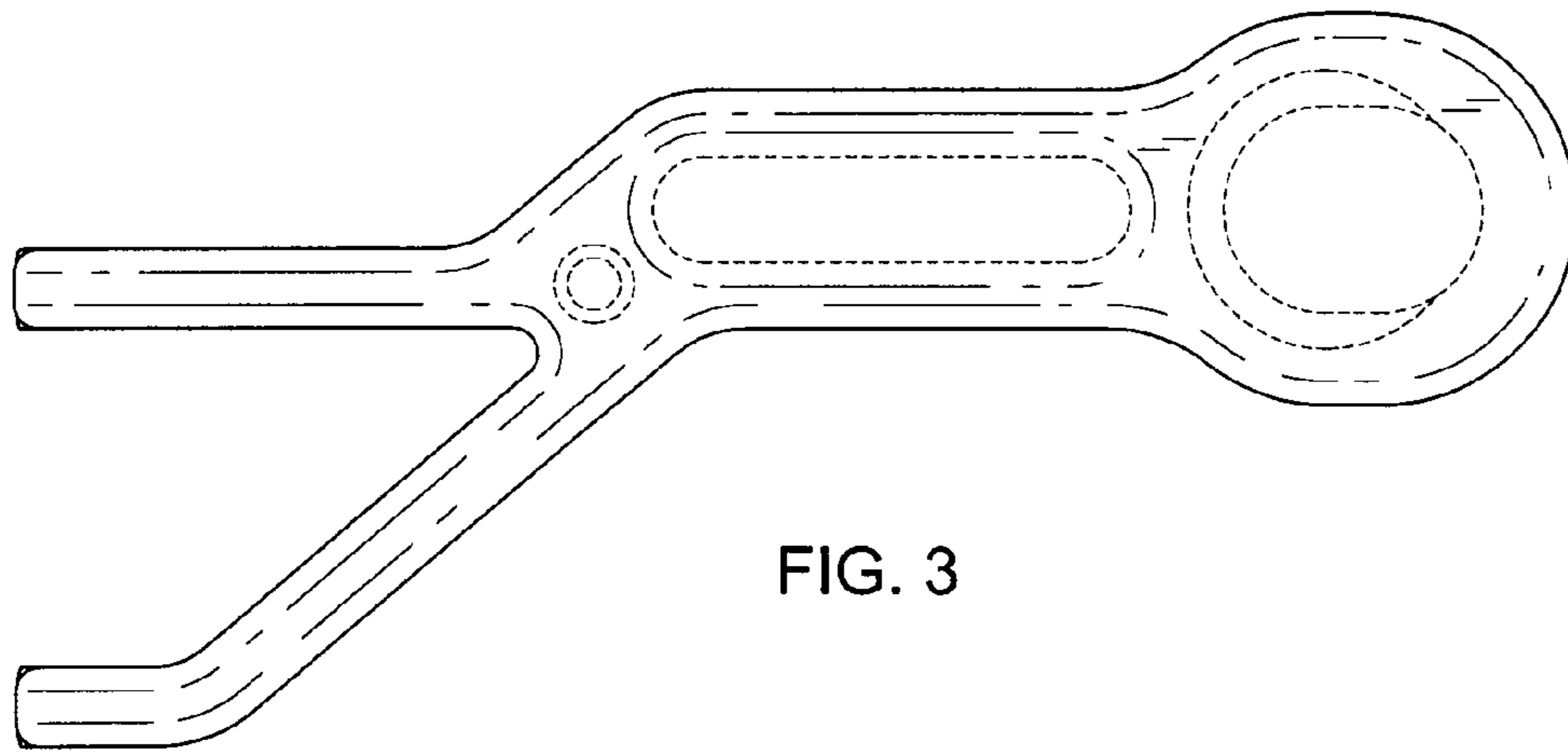


FIG. 2



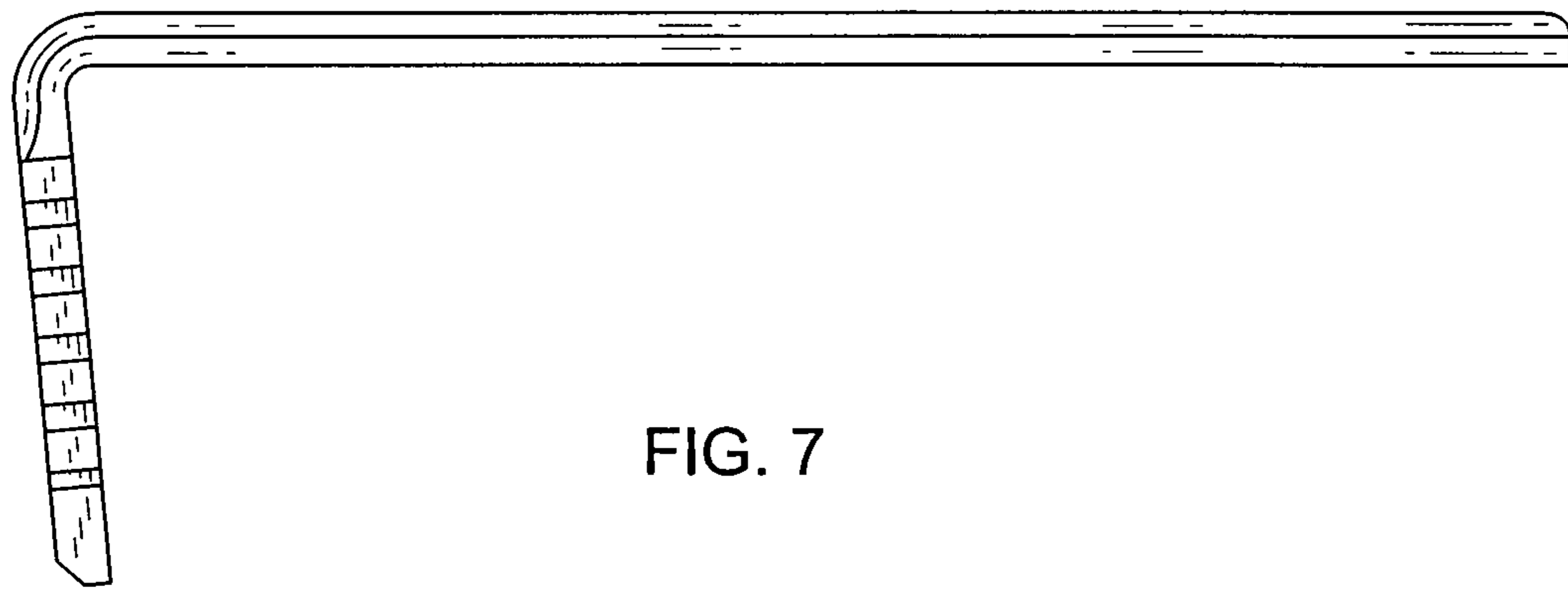


FIG. 7

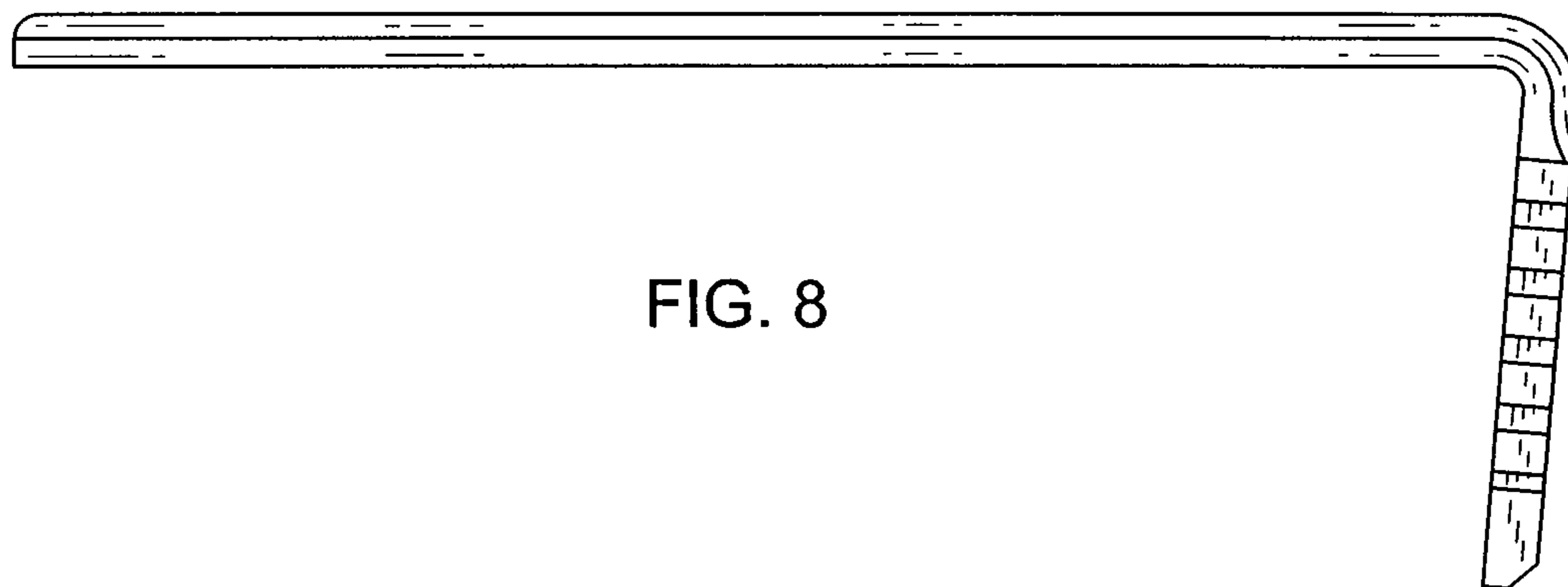


FIG. 8