



US00D728101S

(12) **United States Design Patent**
Shimoo

(10) **Patent No.:** **US D728,101 S**

(45) **Date of Patent:** **** Apr. 28, 2015**

(54) **DENTAL DRILL EXTENDER**

(71) Applicant: **Klad Corporation**, Yokohama-shi,
Kanagawa-ken (JP)

(72) Inventor: **Yoshiaki Shimoo**, Tokyo (JP)

(**) Term: **14 Years**

(21) Appl. No.: **29/479,416**

(22) Filed: **Jan. 15, 2014**

Related U.S. Application Data

(63) Continuation of application No. 13/071,471, filed on
Mar. 24, 2011, now abandoned.

(51) **LOC (10) Cl.** **24-02**

(52) **U.S. Cl.**
USPC **D24/152**

(58) **Field of Classification Search**
USPC D24/152, 146, 155–156, 176; 433/82,
433/172, 128, 165, 146–147
See application file for complete search history.

(56) **References Cited**

U.S. PATENT DOCUMENTS

4,205,444	A *	6/1980	Weissman	433/165
4,820,156	A *	4/1989	Ross	433/165
5,098,293	A *	3/1992	Loof et al.	433/165
5,261,818	A *	11/1993	Shaw	433/165

D351,908	S *	10/1994	Shaw	D24/152
D355,487	S *	2/1995	Broberg	D24/156
5,569,035	A *	10/1996	Balfour et al.	433/165
5,816,807	A *	10/1998	Matsutani et al.	433/165
6,106,292	A *	8/2000	Hollander et al.	433/165
7,887,326	B2 *	2/2011	Danger	433/165
2009/0004625	A1 *	1/2009	Esposti et al.	433/165
2013/0224683	A1 *	8/2013	Zacharia et al.	433/165

* cited by examiner

Primary Examiner — Wan Laymon

(74) *Attorney, Agent, or Firm* — Jonathan Garfinkel; Steven
Gong; D. Bommi Bommannan

(57) **CLAIM**

The ornamental design for a dental drill extender, substan-
tially as shown and described.

DESCRIPTION

FIG. 1 is a top perspective view of a dental drill extender in
accordance with the present design.

FIG. 2 is a bottom perspective view thereof.

FIG. 3 is a side view thereof.

FIG. 4 is a side view thereof.

FIG. 5 is a top view thereof.

FIG. 6 is a bottom view thereof.

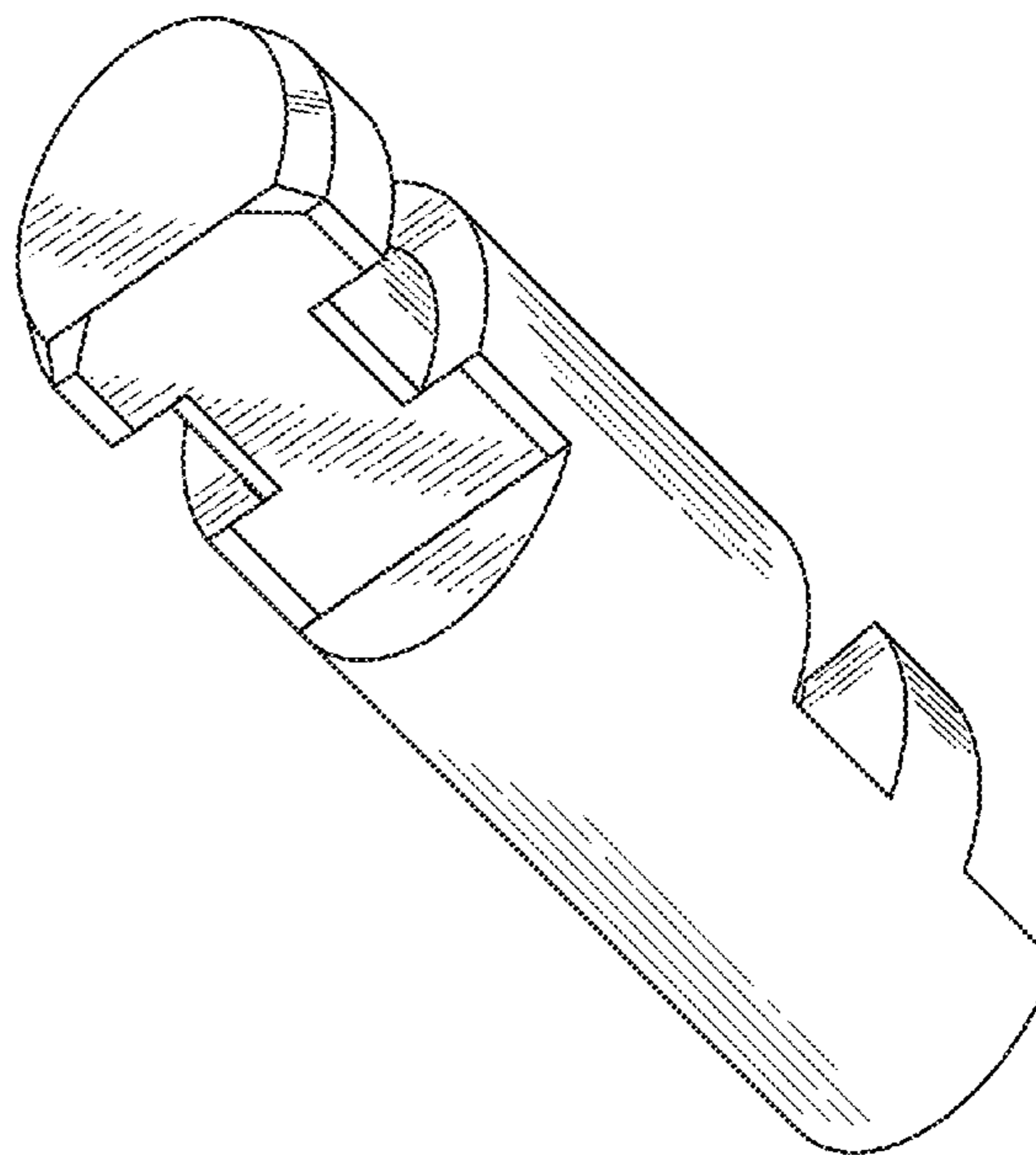
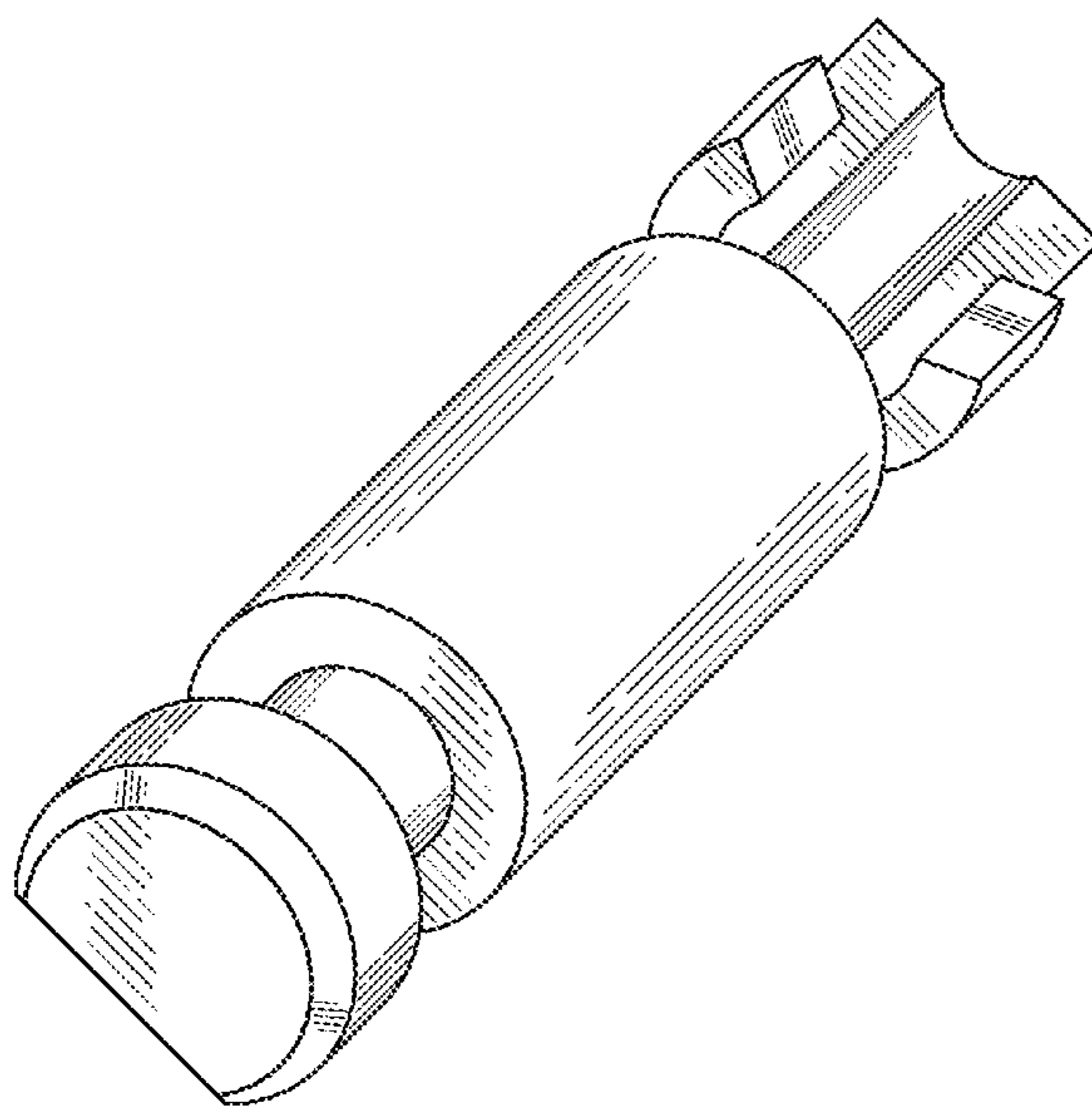
FIG. 7 is a front view thereof.

FIG. 8 is a rear view thereof; and,

FIG. 9 is a side view shown the dental drill extender con-
nected to another dental drill extender and a dental drill bit.

The broken lines shown in FIG. 9 represent portions of the
dental drill extender that form no part of the claimed design.

1 Claim, 5 Drawing Sheets



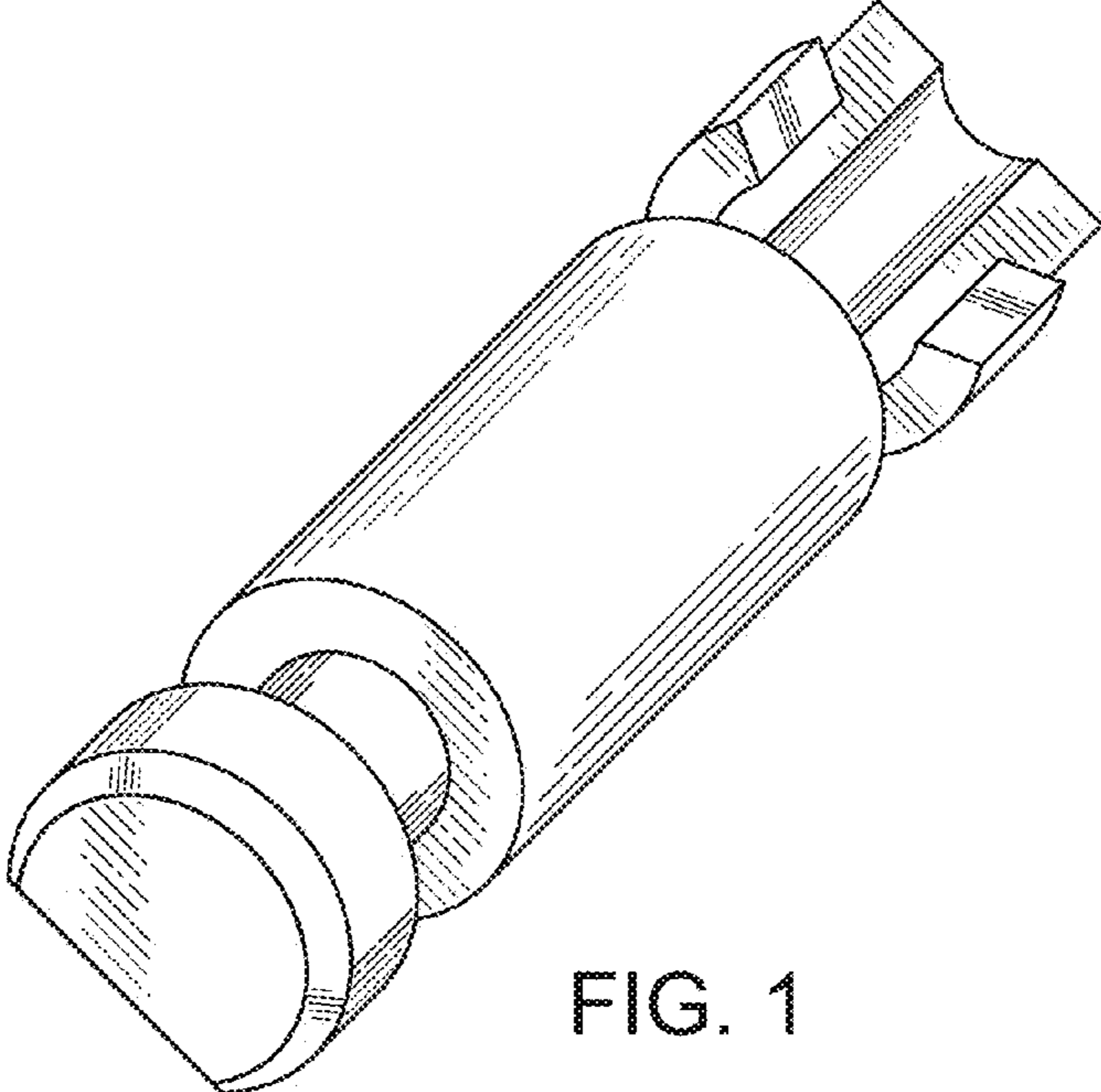


FIG. 1

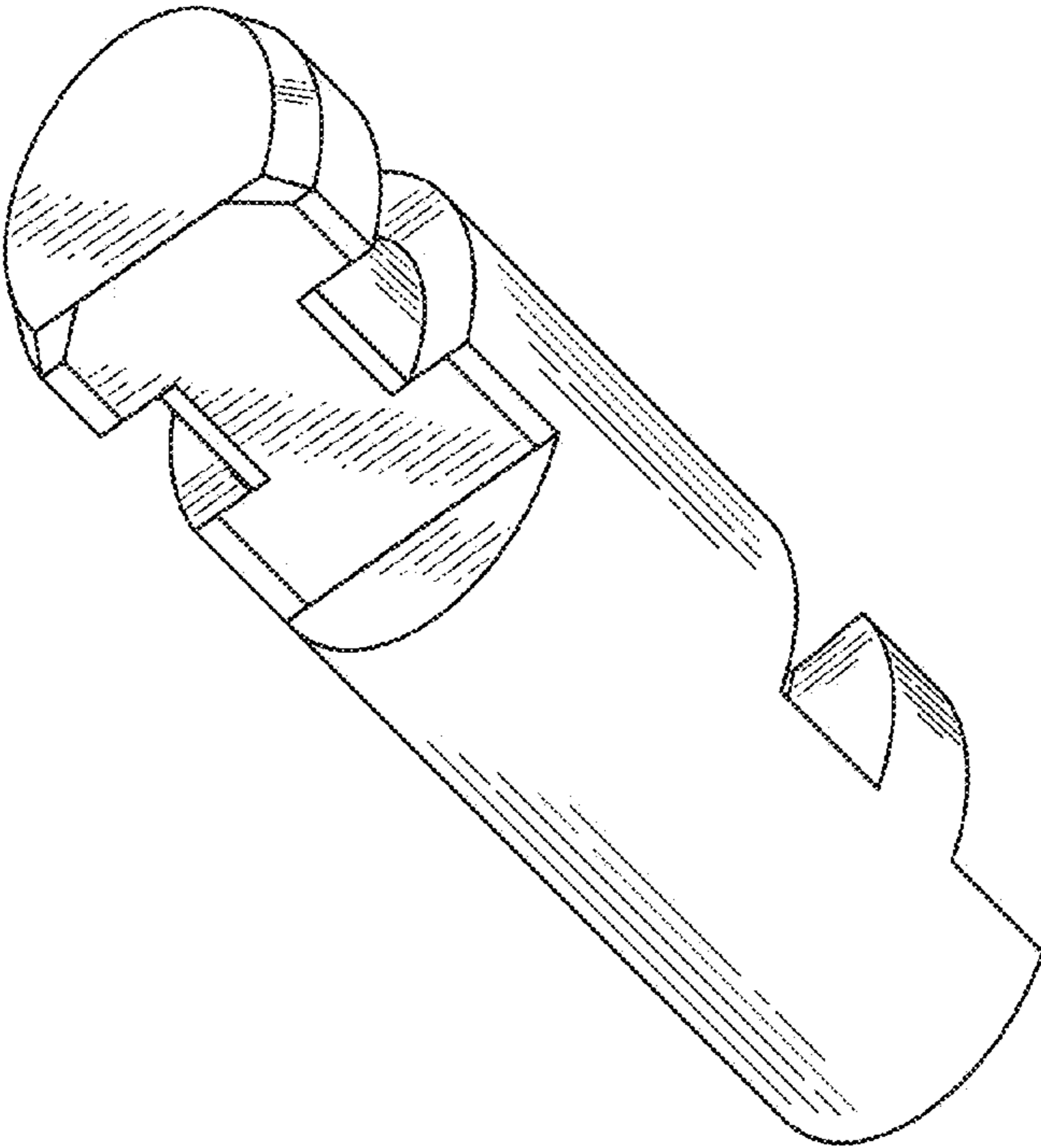


FIG. 2

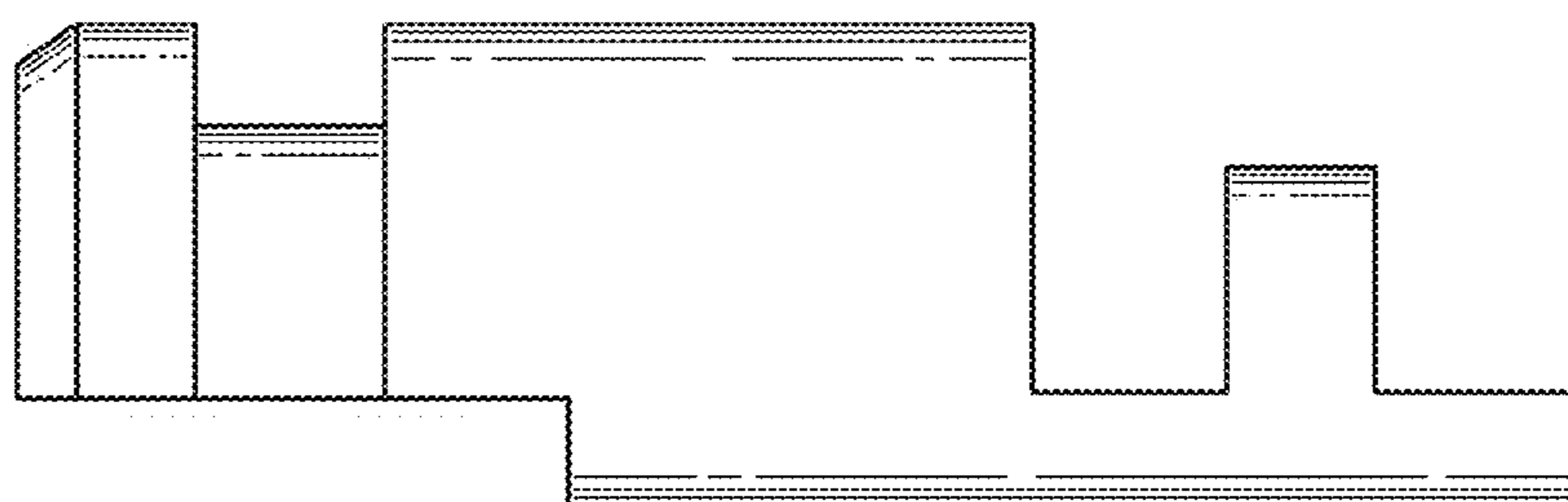


FIG. 3

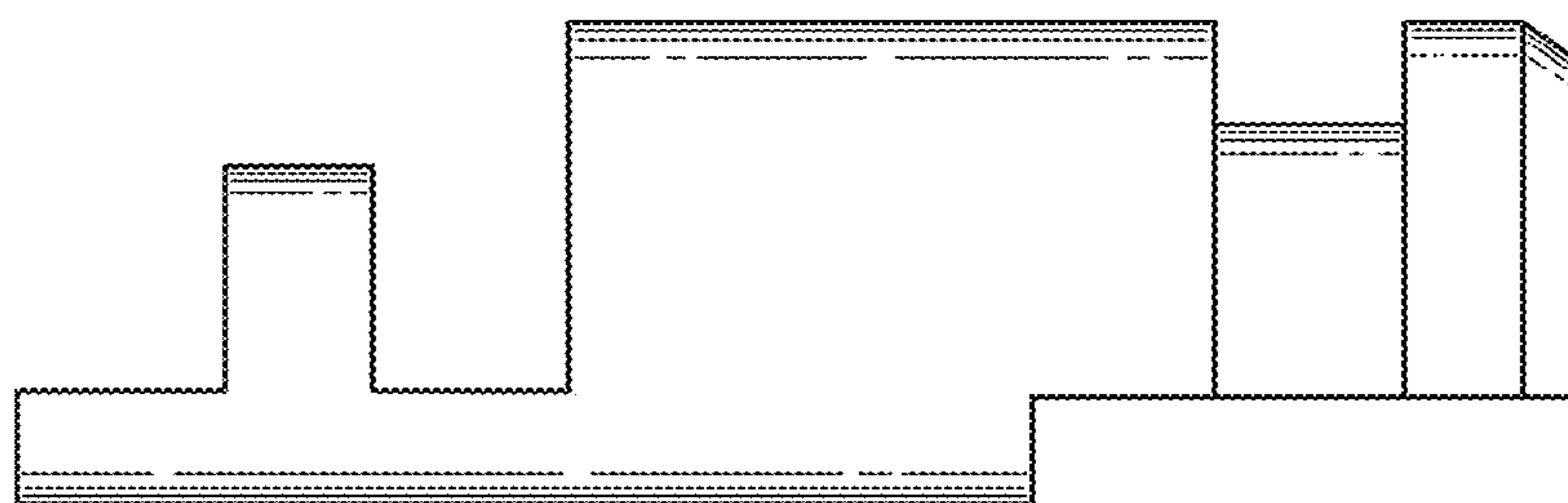


FIG. 4

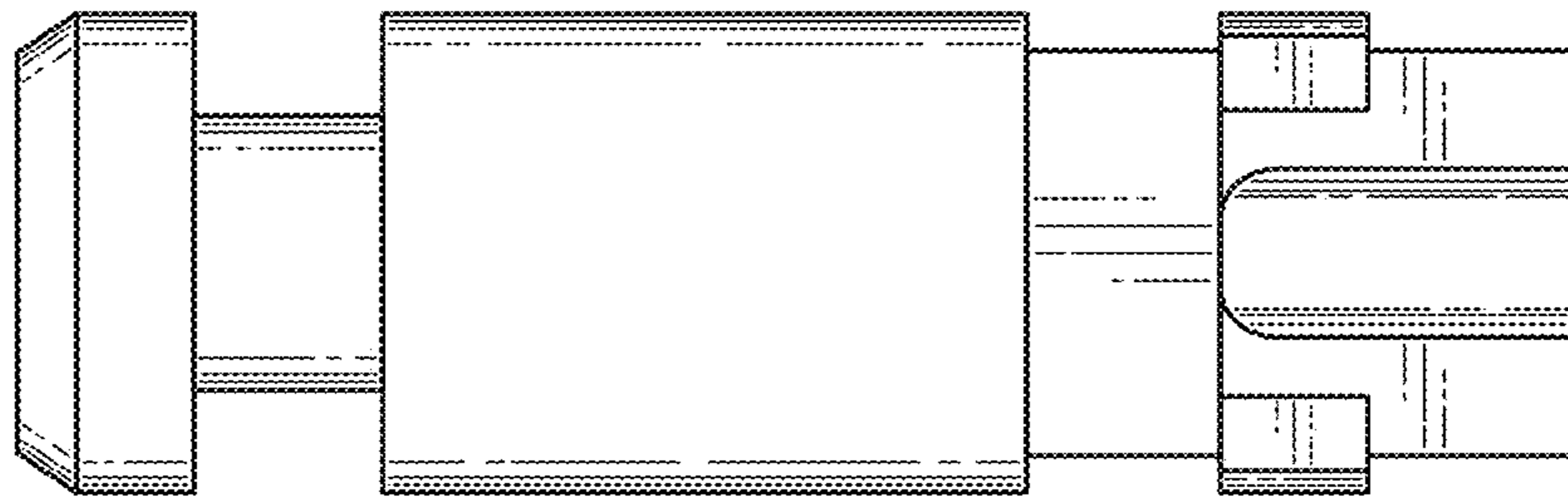


FIG. 5

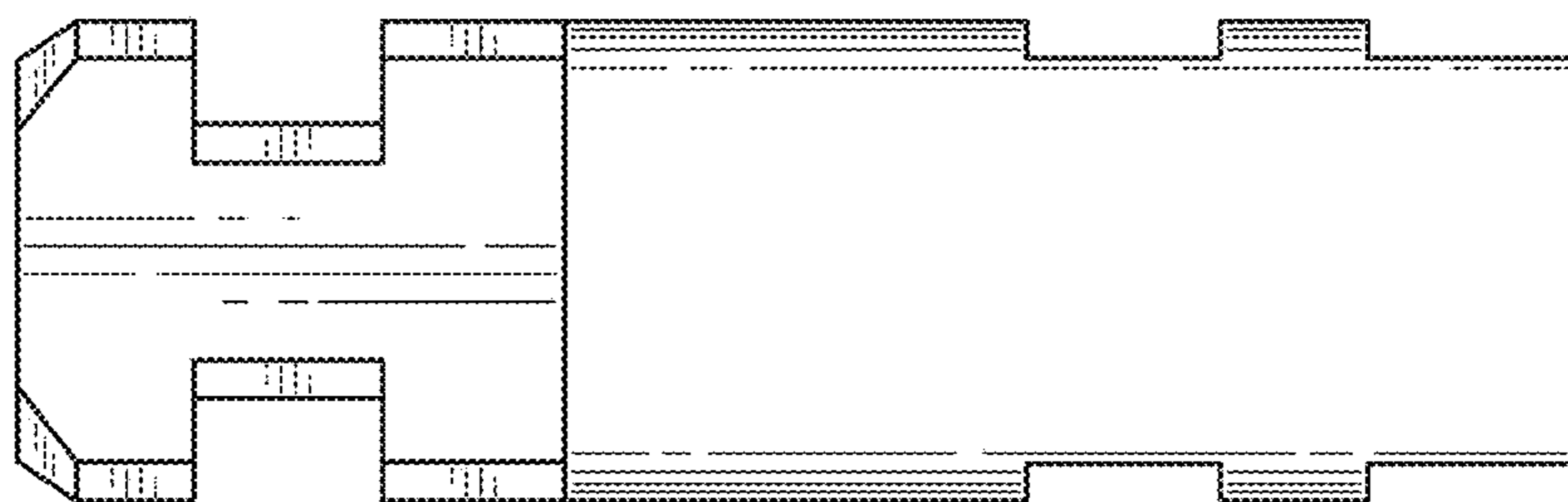


FIG. 6

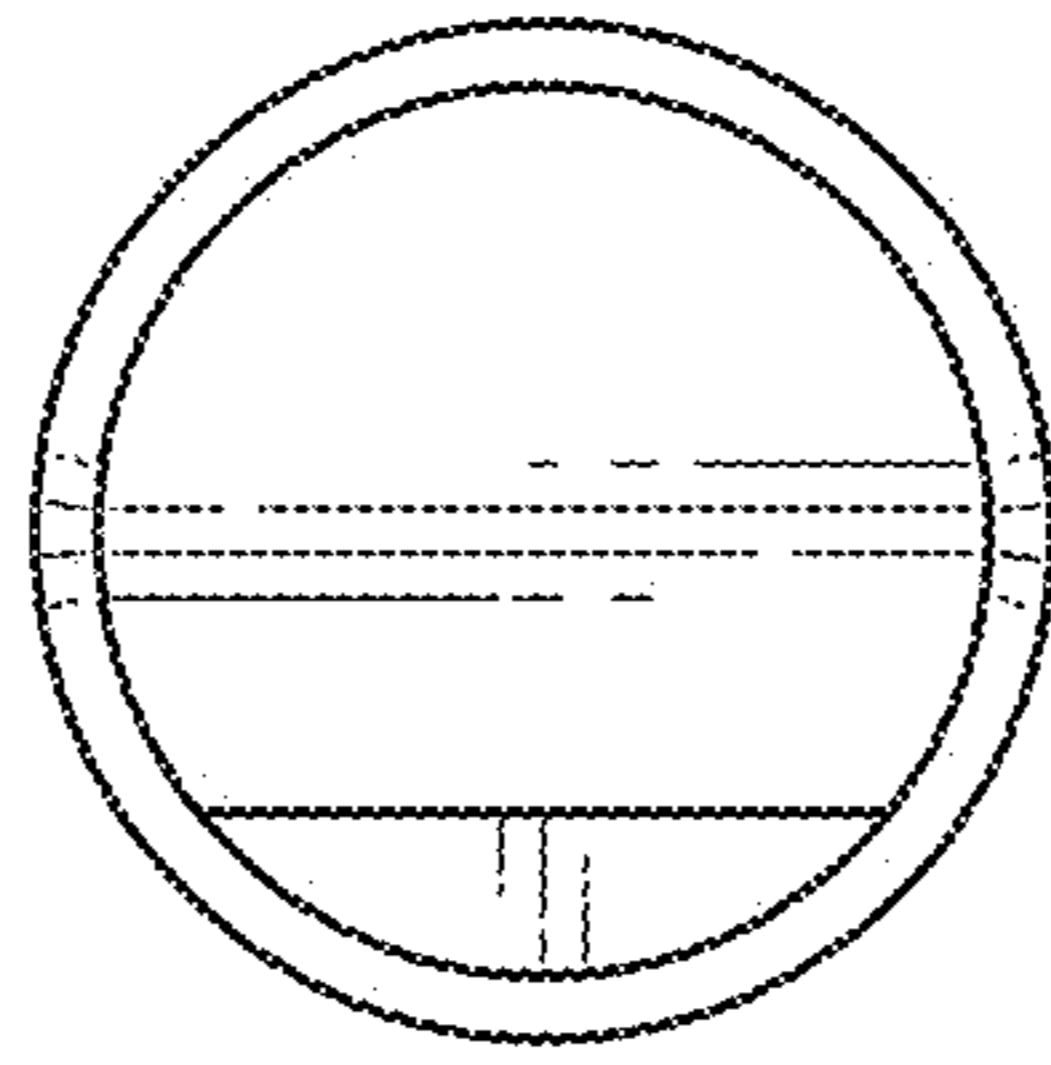


FIG. 7

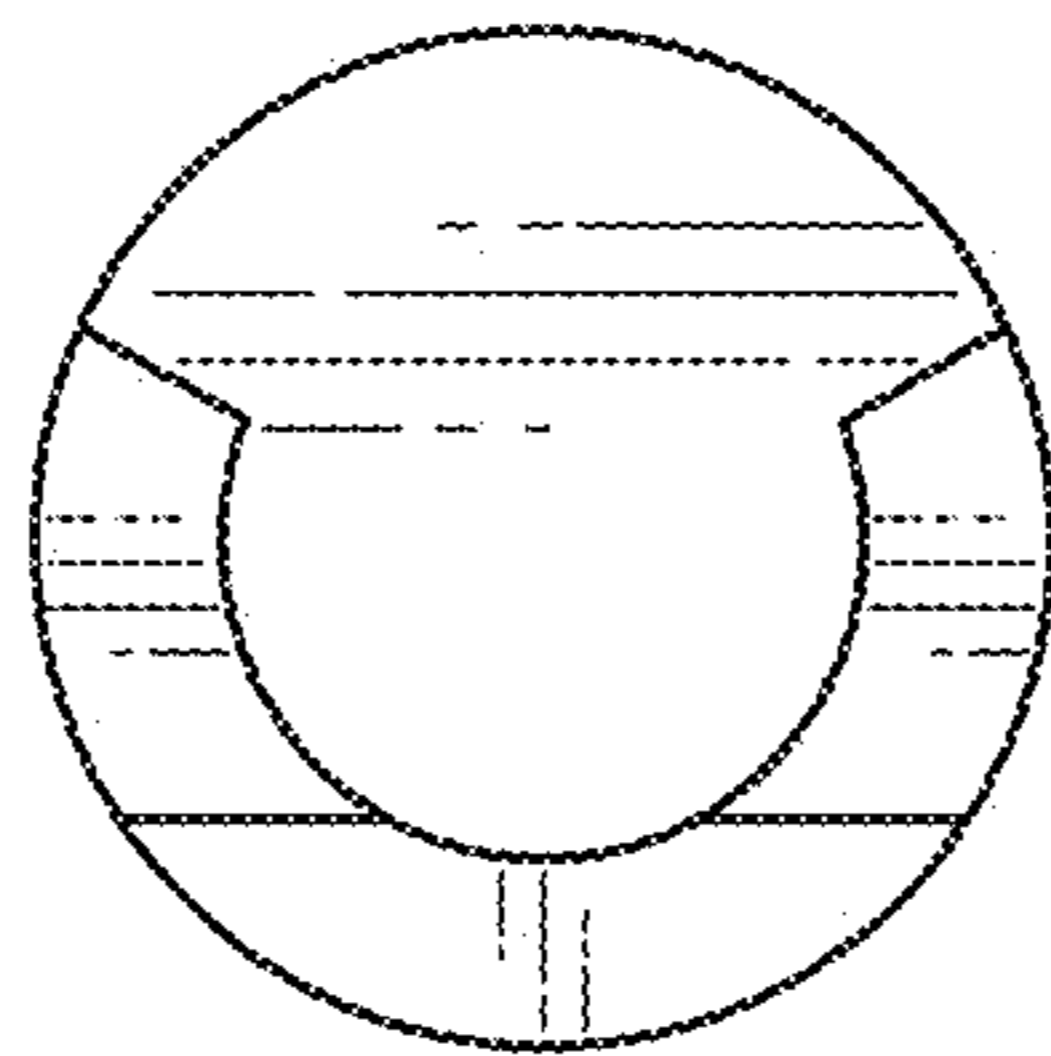


FIG. 8

