



US00D728100S

(12) **United States Design Patent**  
**Hasebe**

(10) **Patent No.:** **US D728,100 S**  
(45) **Date of Patent:** **\*\* Apr. 28, 2015**

(54) **SURGICAL KNIFE**

FOREIGN PATENT DOCUMENTS

(75) Inventor: **Kazuyuki Hasebe, Seki (JP)**

JP 1404730 1/2011  
JP 1413382 5/2011

(73) Assignee: **Kai R&D Center Co., Ltd., Gifu-ken (JP)**

\* cited by examiner

(\*\*) Term: **14 Years**

*Primary Examiner* — Robert M Spear  
*Assistant Examiner* — Marissa J Cash

(21) Appl. No.: **29/427,427**

(74) *Attorney, Agent, or Firm* — Fish & Richardson P.C.

(22) Filed: **Jul. 18, 2012**

(57) **CLAIM**

The ornamental design for a surgical knife, as shown and described.

(30) **Foreign Application Priority Data**

Jan. 24, 2012 (JP) ..... 2012-001215

(51) **LOC (10) Cl.** ..... **24-02**

(52) **U.S. Cl.**  
USPC ..... **D24/147**

(58) **Field of Classification Search**  
USPC ..... D7/649; D8/14.1, 29.1, 92, 93, 95, 97,  
D8/98, 99; D19/110, 115; D24/130, 133,  
D24/146, 147, 150, 151; 30/151, 162, 338,  
30/339; 606/4, 5, 6, 44, 107, 166  
See application file for complete search history.

(56) **References Cited**

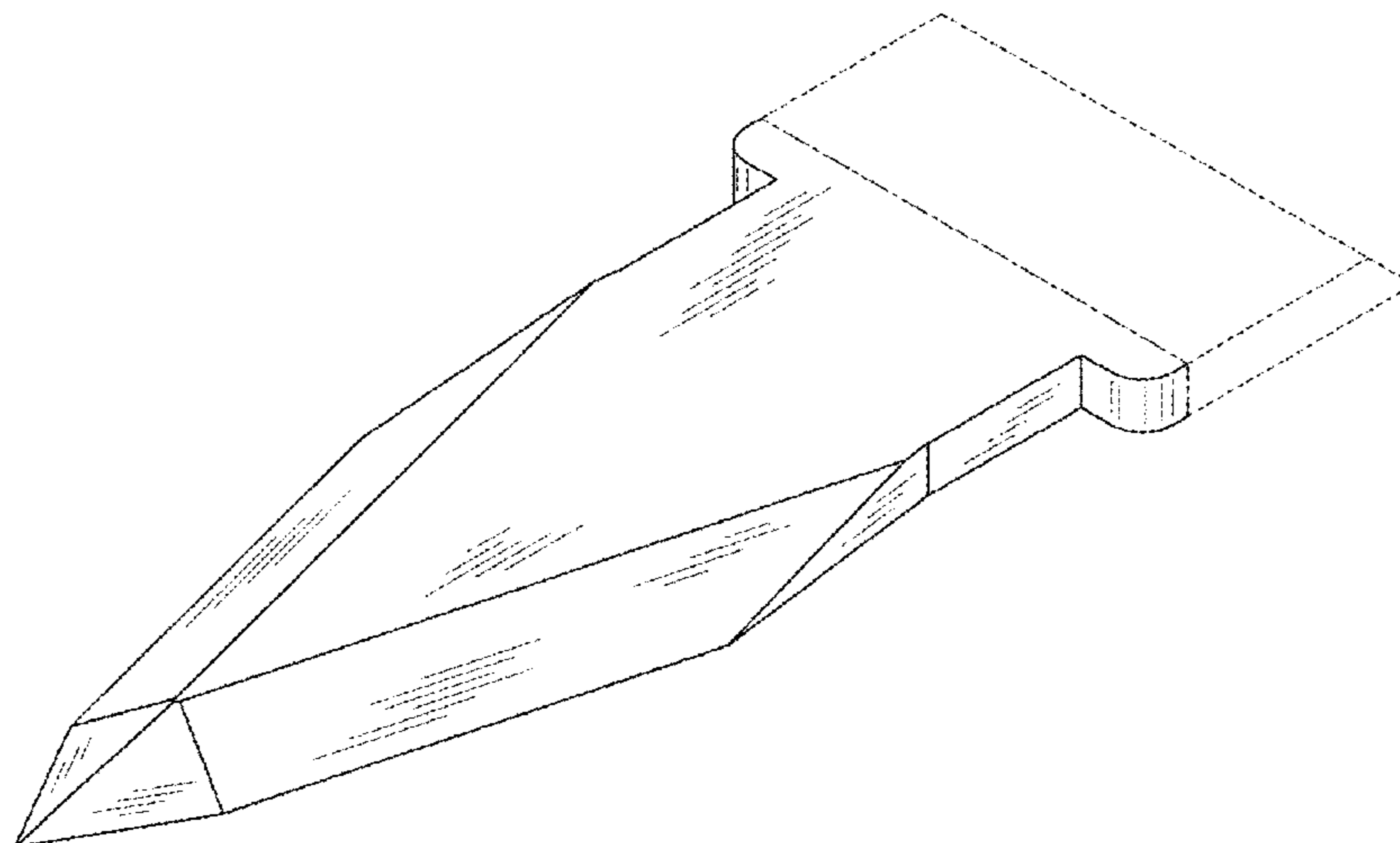
U.S. PATENT DOCUMENTS

D234,214 S *	1/1975	McEvoy	.....	D8/98
5,352,233 A *	10/1994	Anis	.....	606/167
D370,532 S	6/1996	Epstein et al.		
D405,178 S	2/1999	Dykes		
6,099,543 A *	8/2000	Smith	.....	606/167
D483,489 S *	12/2003	Scheller et al.	.....	D24/146
D483,871 S *	12/2003	Endo	.....	D24/147
D535,747 S *	1/2007	Isogimi	.....	D24/146
D669,988 S *	10/2012	Packard et al.	.....	D24/147
D679,397 S *	4/2013	Packard et al.	.....	D24/146
2003/0004527 A1 *	1/2003	Matsutani et al.	.....	606/167
2005/0070941 A1 *	3/2005	Isogimi	.....	606/166
2010/0005665 A1 *	1/2010	Elliott et al.	.....	30/123

**DESCRIPTION**

FIG. 1 is a front perspective view of a surgical knife showing my new design;  
 FIG. 2 is a front view thereof, the rear view being a mirror image of FIG. 2;  
 FIG. 3 is a top plan view thereof;  
 FIG. 4 is a bottom plan view thereof;  
 FIG. 5 is a left side view thereof;  
 FIG. 6 is an enlarged view of the portion indicated by line 6-6 in FIG. 1;  
 FIG. 7 is an enlarged view of the portion indicated by line 7-7 in FIG. 2;  
 FIG. 8 is an enlarged view of the portion indicated by line 8-8 in FIG. 3;  
 FIG. 9 is an enlarged view of the portion indicated by line 9-9 in FIG. 4; and,  
 FIG. 10 is an enlarged view of the portion indicated by line 10-10 in FIG. 5.  
 The features shown in broken lines in the drawings depict environmental subject matter only and form no part of the claimed design. The dashed-dotted lines denote the boundary of the claim and form no part of the claimed design.

**1 Claim, 10 Drawing Sheets**



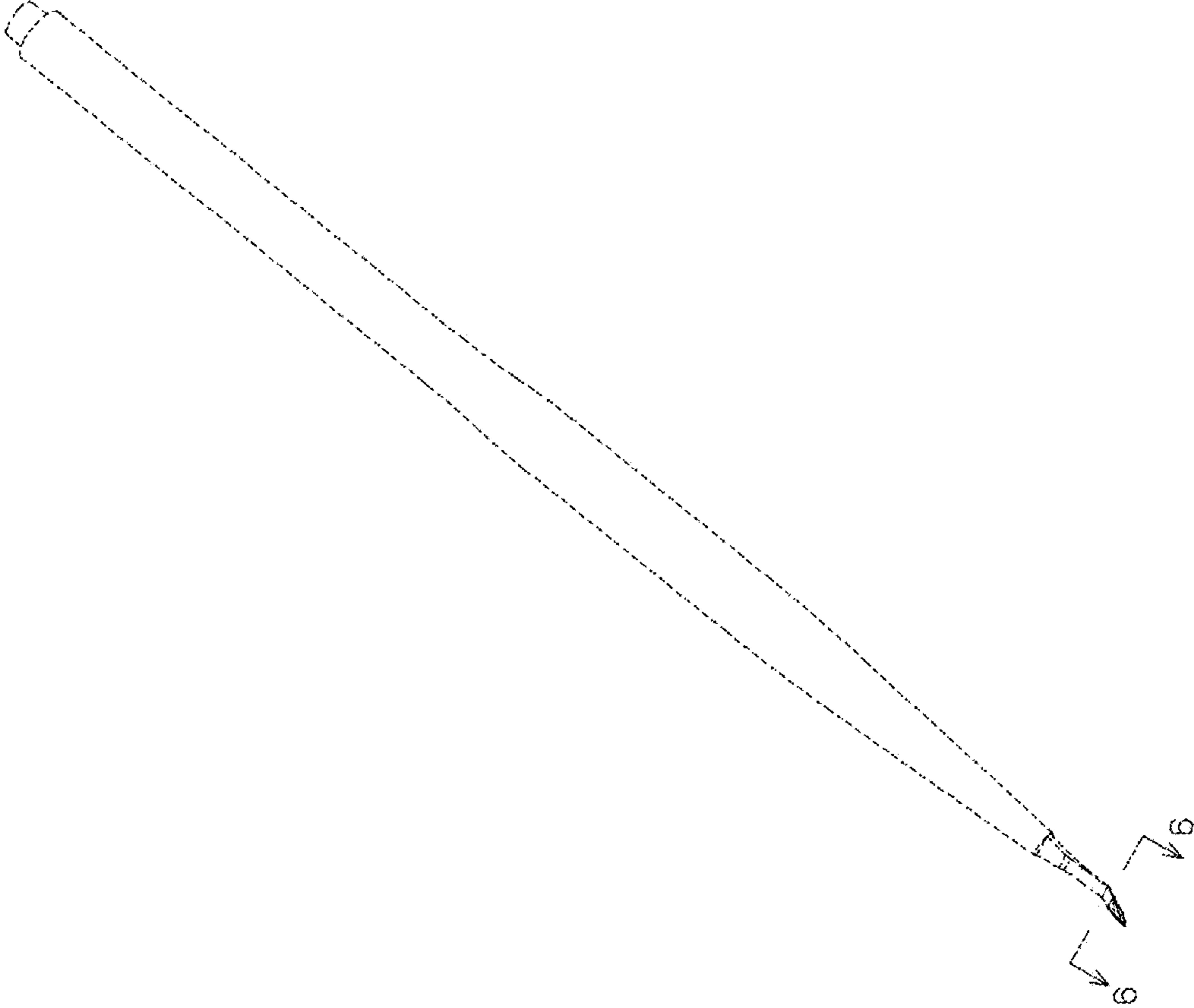


Fig. 1

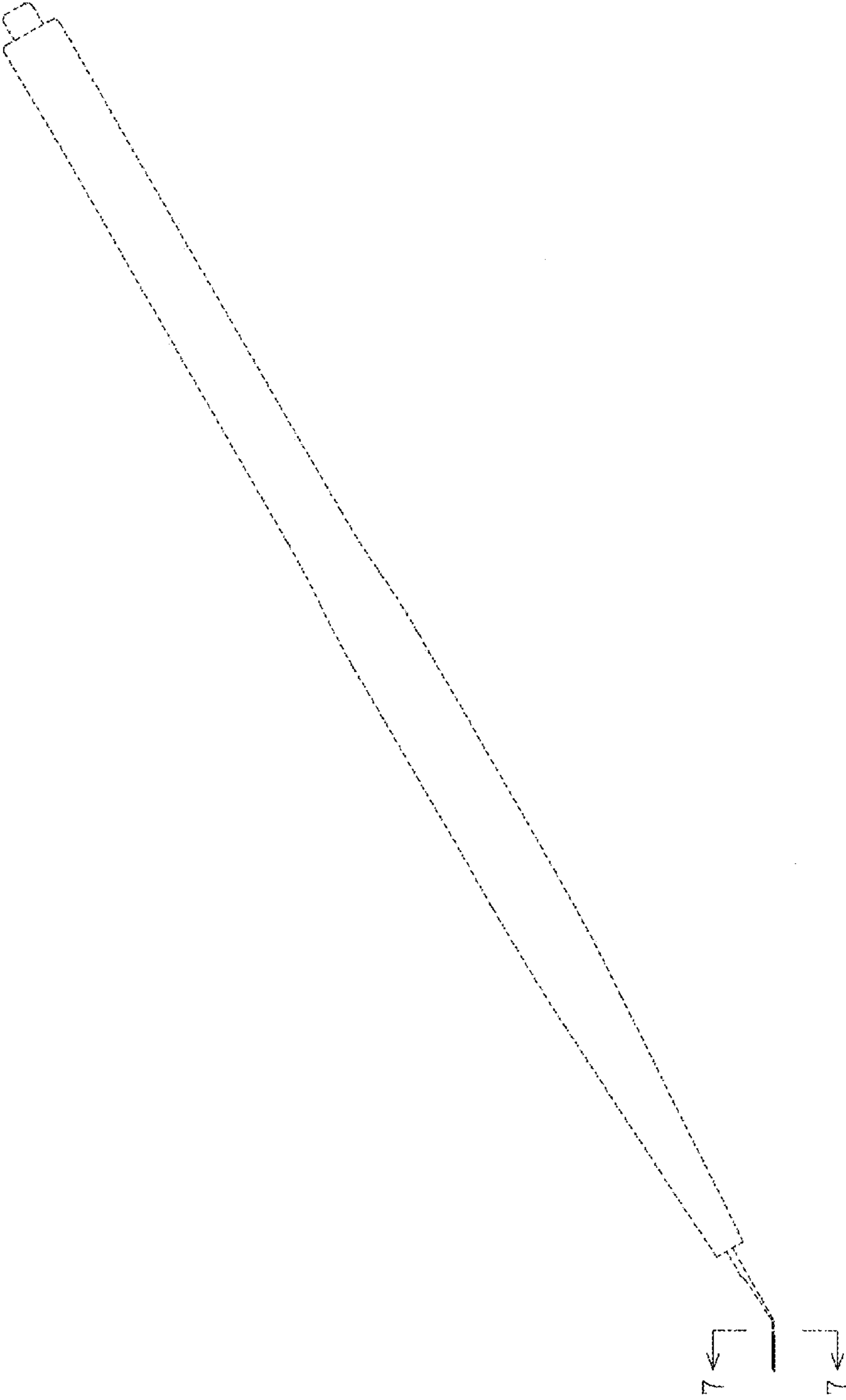


Fig. 2

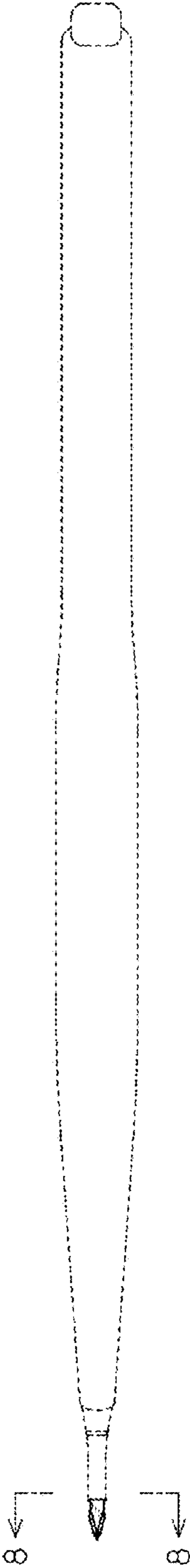
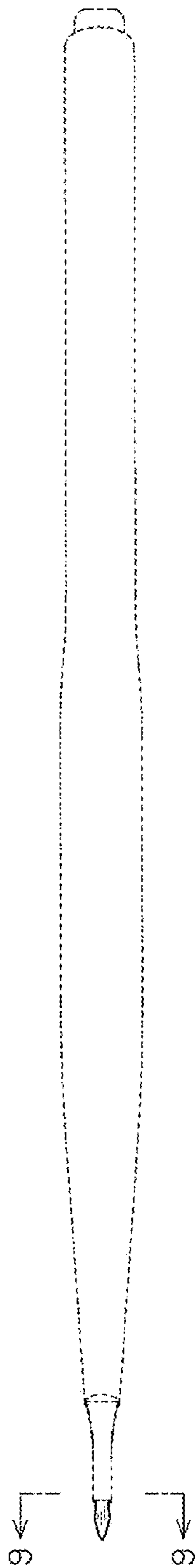


Fig. 3

Fig. 4



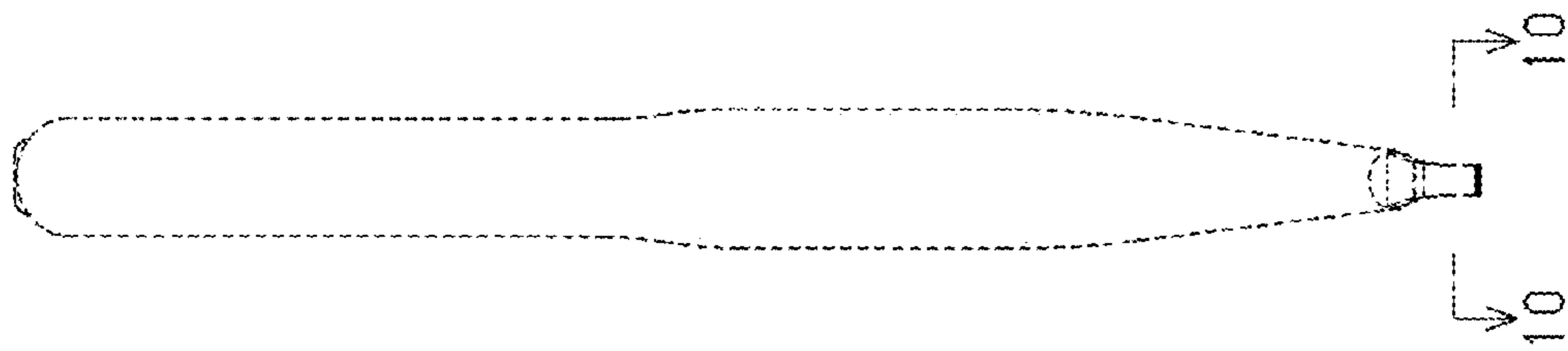


Fig. 5

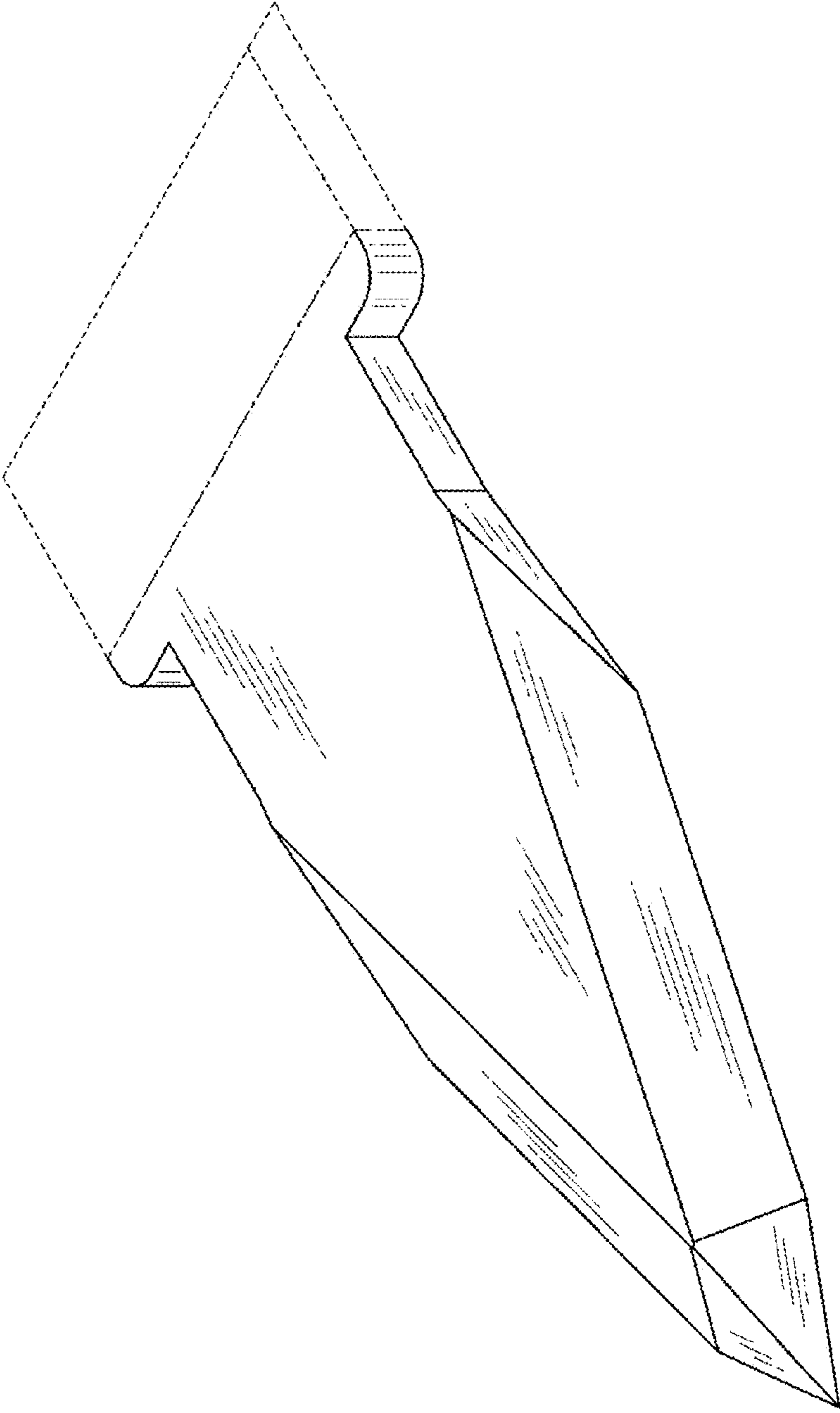


Fig. 6

Fig. 7





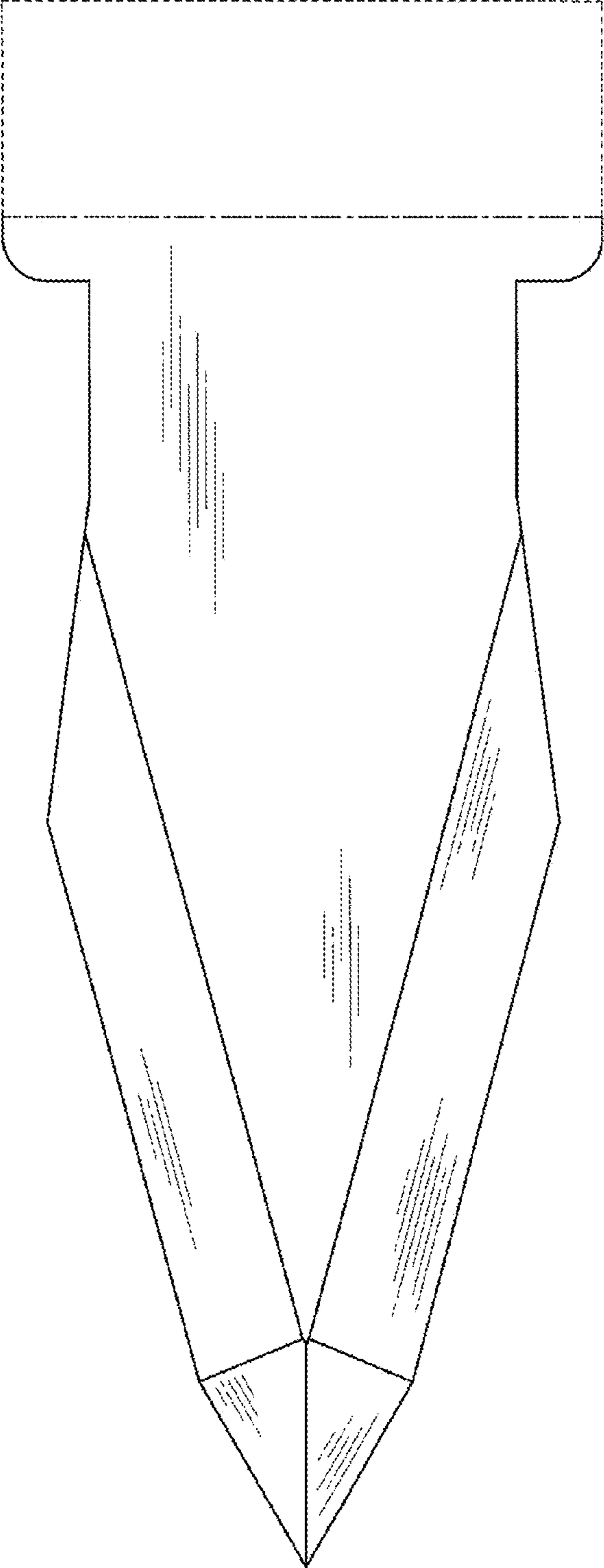


Fig. 8

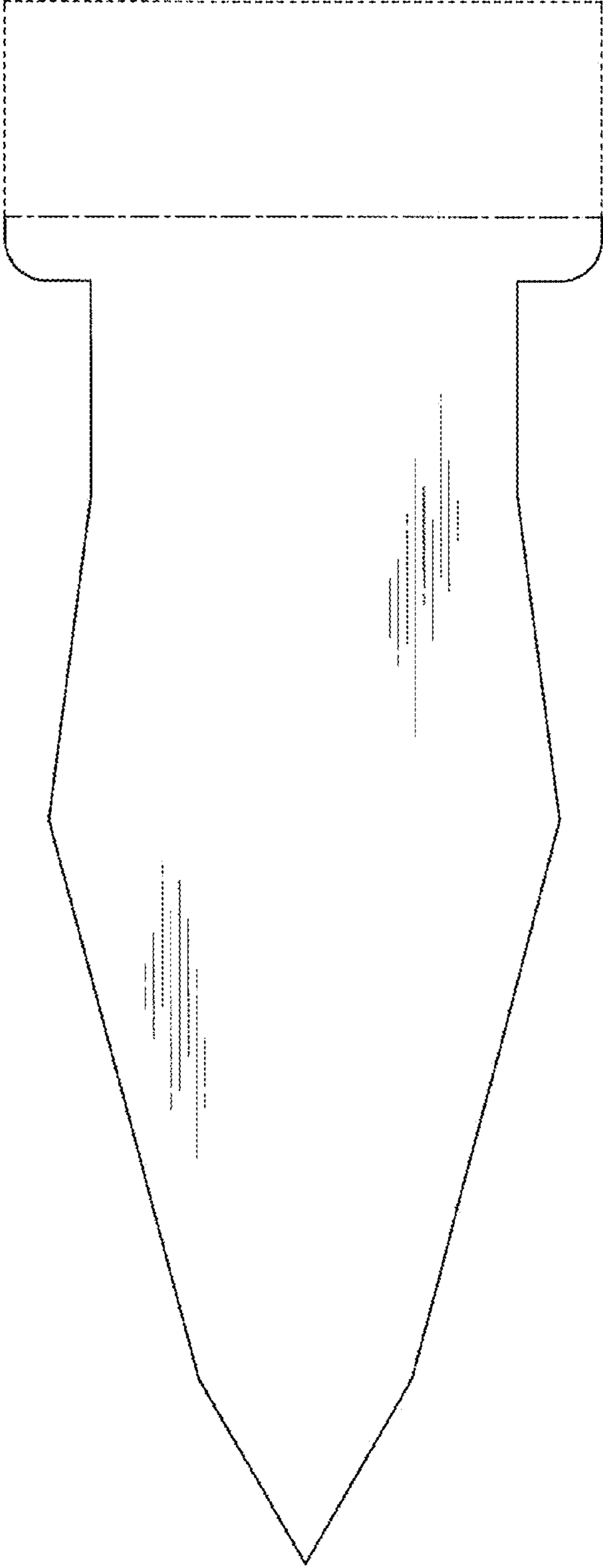


Fig. 9

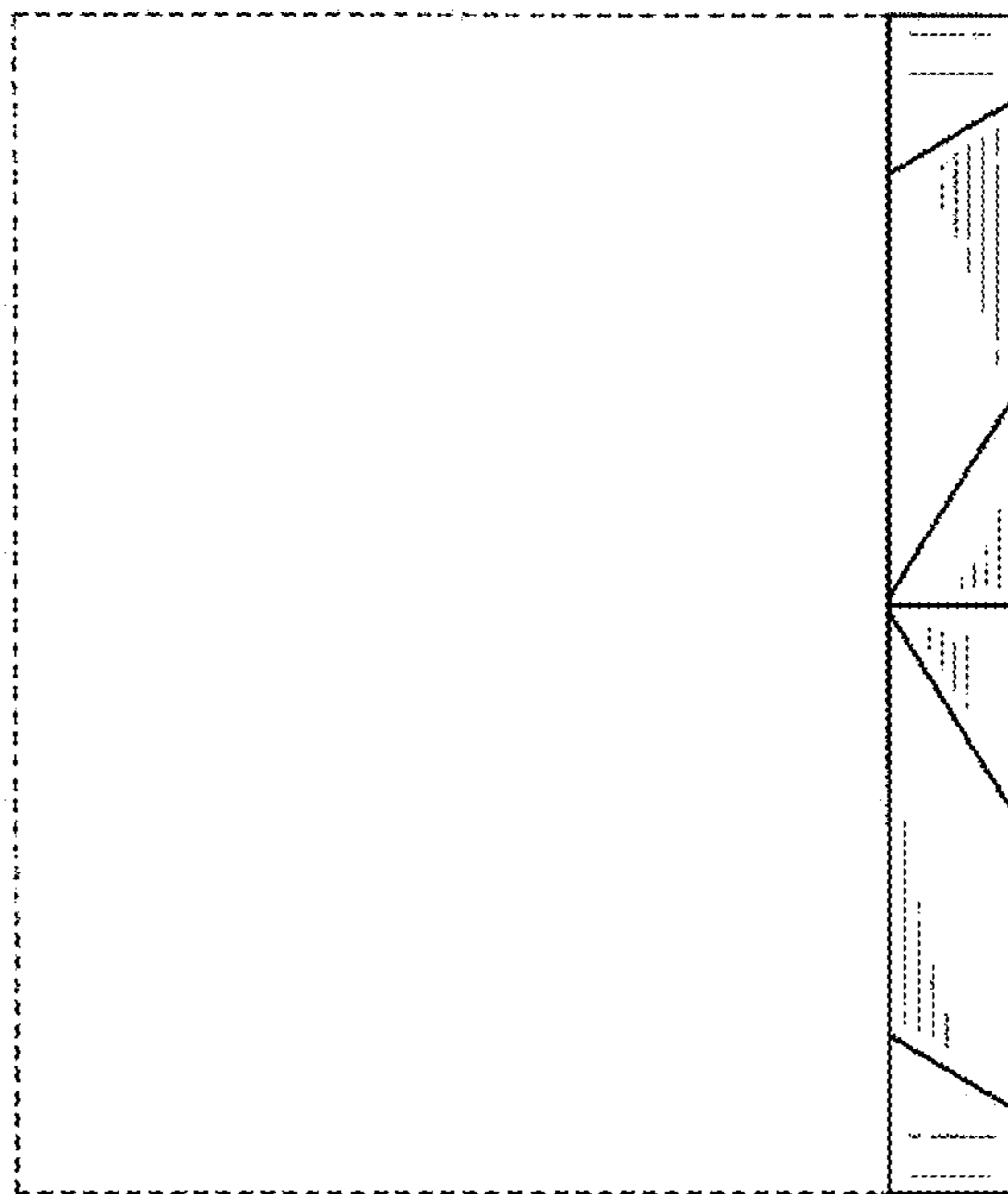


Fig. 10