



US00D728099S

(12) **United States Design Patent**
Schad et al.

(10) **Patent No.:** **US D728,099 S**
(45) **Date of Patent:** **** Apr. 28, 2015**

(54) **TROCAR**
(71) Applicant: **KARL STORZ GmbH & Co., KG**,
Tuttlingen (DE)
(72) Inventors: **Kurt Schad**, Kolbingen (DE); **Michael Sauer**,
Tuttlingen (DE); **Sabine Zahler**,
Ebersberg (DE)
(73) Assignee: **KARL STORZ GmbH & Co. KG**,
Tuttlingen (DE)

(**) Term: **14 Years**
(21) Appl. No.: **29/469,851**
(22) Filed: **Oct. 15, 2013**

(30) **Foreign Application Priority Data**
Apr. 15, 2013 (EM) 002220467-003
(51) **LOC (10) Cl.** **24-02**
(52) **U.S. Cl.**
USPC **D24/146**
(58) **Field of Classification Search**
CPC A61B 1/05; A61B 1/07; A61B 17/1671;
A61B 17/1617; A61B 5/1459
USPC D24/127, 133, 136.146-152, 172, 173,
D24/174, 176; 600/325, 110, 180; 606/79,
606/80
See application file for complete search history.

(56) **References Cited**
U.S. PATENT DOCUMENTS
D142,358 S * 9/1945 Turkel D24/147
D250,544 S * 12/1978 Leonard D24/147

D496,998 S * 10/2004 Pajunk et al. D24/146
D517,694 S * 3/2006 Wilshire et al. D24/146
7,229,406 B2 * 6/2007 Kehr et al. 600/172
D587,369 S * 2/2009 Hickok D24/152
D590,945 S * 4/2009 Berberich D24/146
D600,806 S * 9/2009 Horton et al. D24/133
D606,193 S * 12/2009 Oberlaender et al. D24/146
D624,653 S * 9/2010 Boillat D24/146
D700,322 S * 2/2014 Kleiner D24/133
8,690,832 B2 * 4/2014 Racz 604/164.07
2008/0234713 A1 * 9/2008 Bernardini 606/170

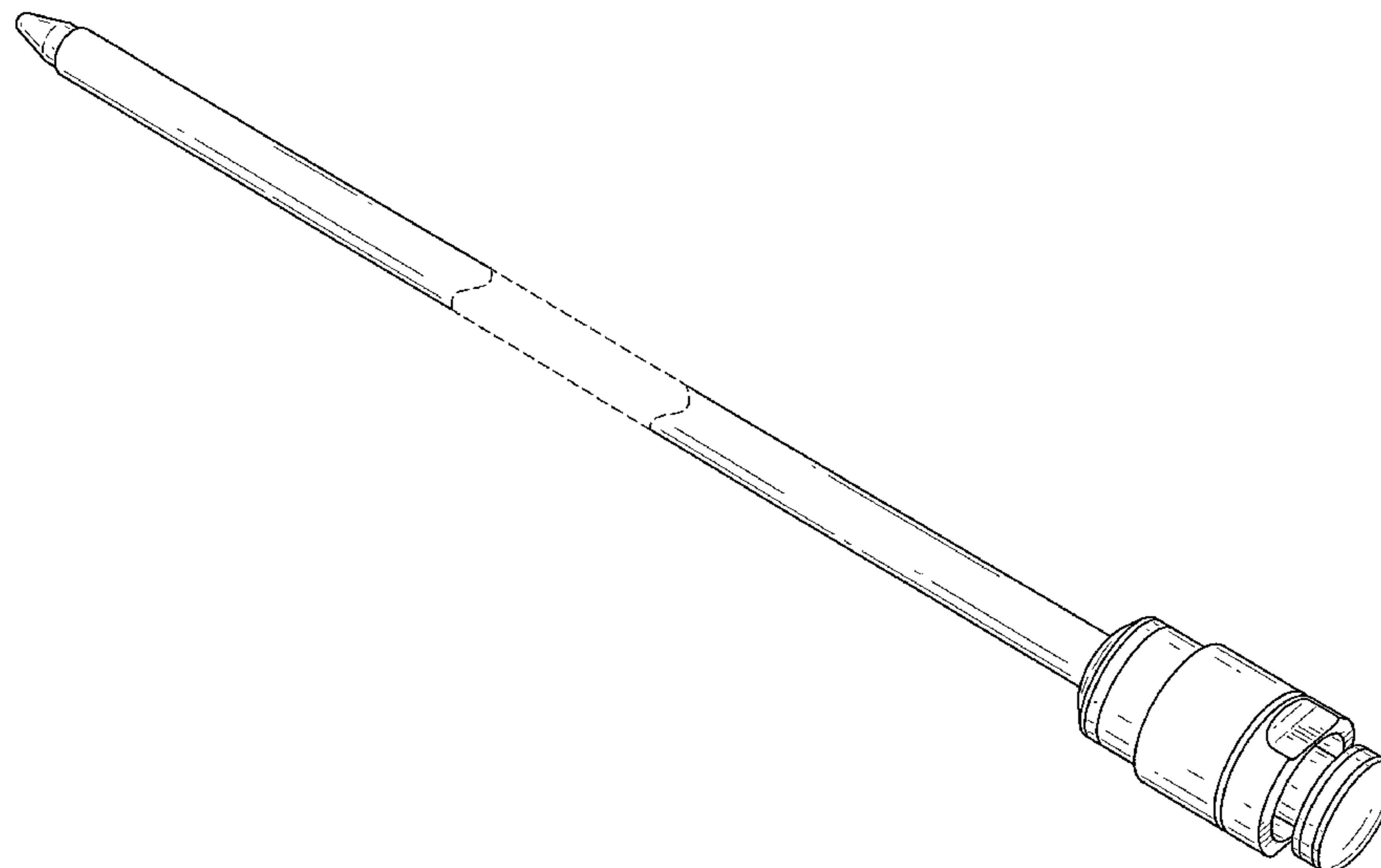
* cited by examiner

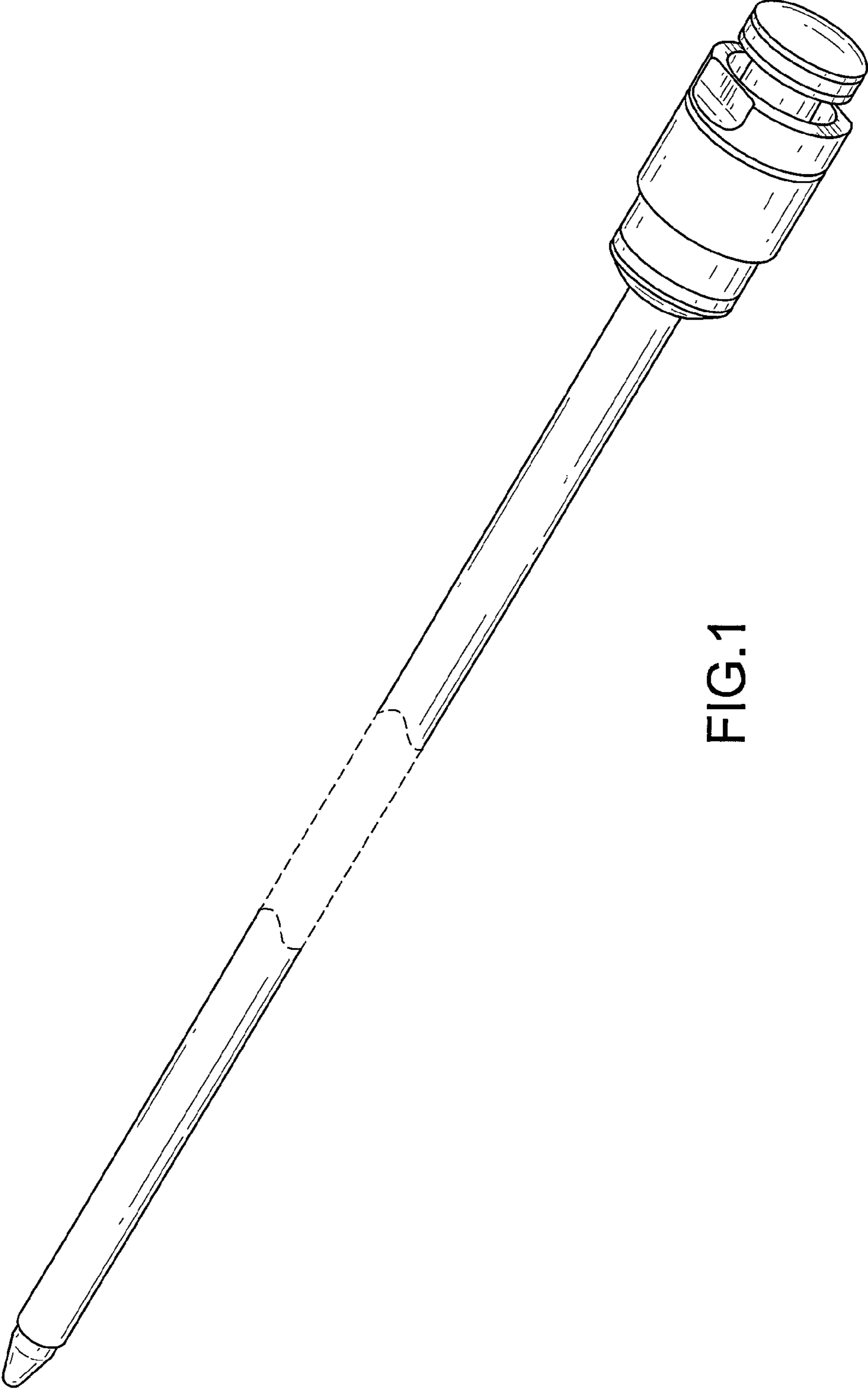
Primary Examiner — Robert M Spear
Assistant Examiner — Marissa J Cash
(74) *Attorney, Agent, or Firm* — Muncy, Geissler, Olds &
Lowe, P.C.

(57) **CLAIM**
The ornamental design for a trocar, as shown and described.

DESCRIPTION
FIG. 1 is a rear perspective view of a trocar according to the present invention.
FIG. 2 is a top view of the trocar of FIG. 1.
FIG. 3 is a top view of the trocar that is partially rotated of FIG. 1.
FIG. 4 is a bottom view of the trocar of FIG. 1.
FIG. 5 is a bottom view of the trocar that is partially rotated of FIG. 1.
FIG. 6 is a rear elevational view of the trocar of FIG. 1; and, FIG. 7 is a front perspective view of the trocar of FIG. 1.
The dashed lines illustrate environment that does not form a part of the present invention, and no claim is made to the material illustrated with dashed lines.

1 Claim, 5 Drawing Sheets





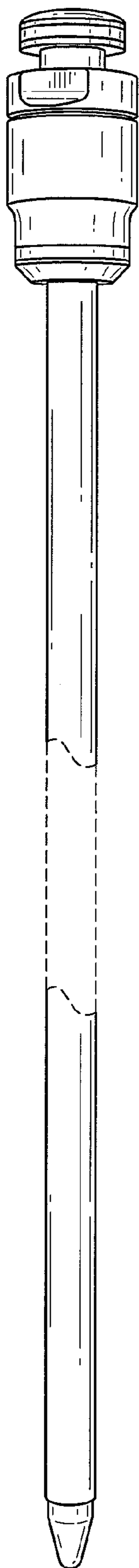


FIG. 2



FIG. 3

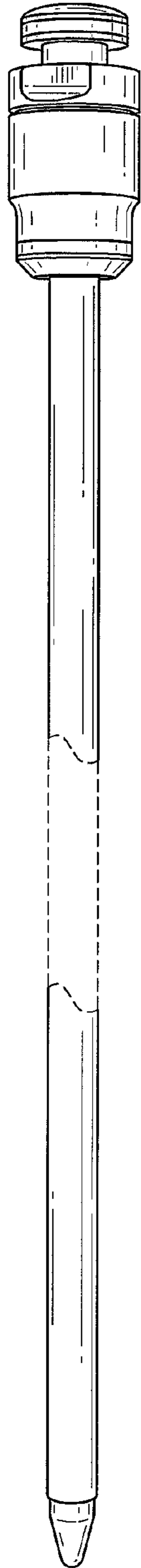


FIG. 4

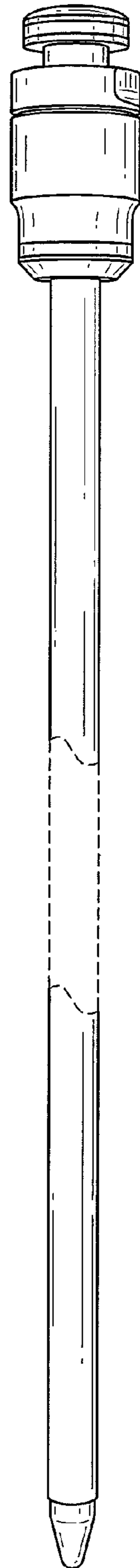


FIG. 5

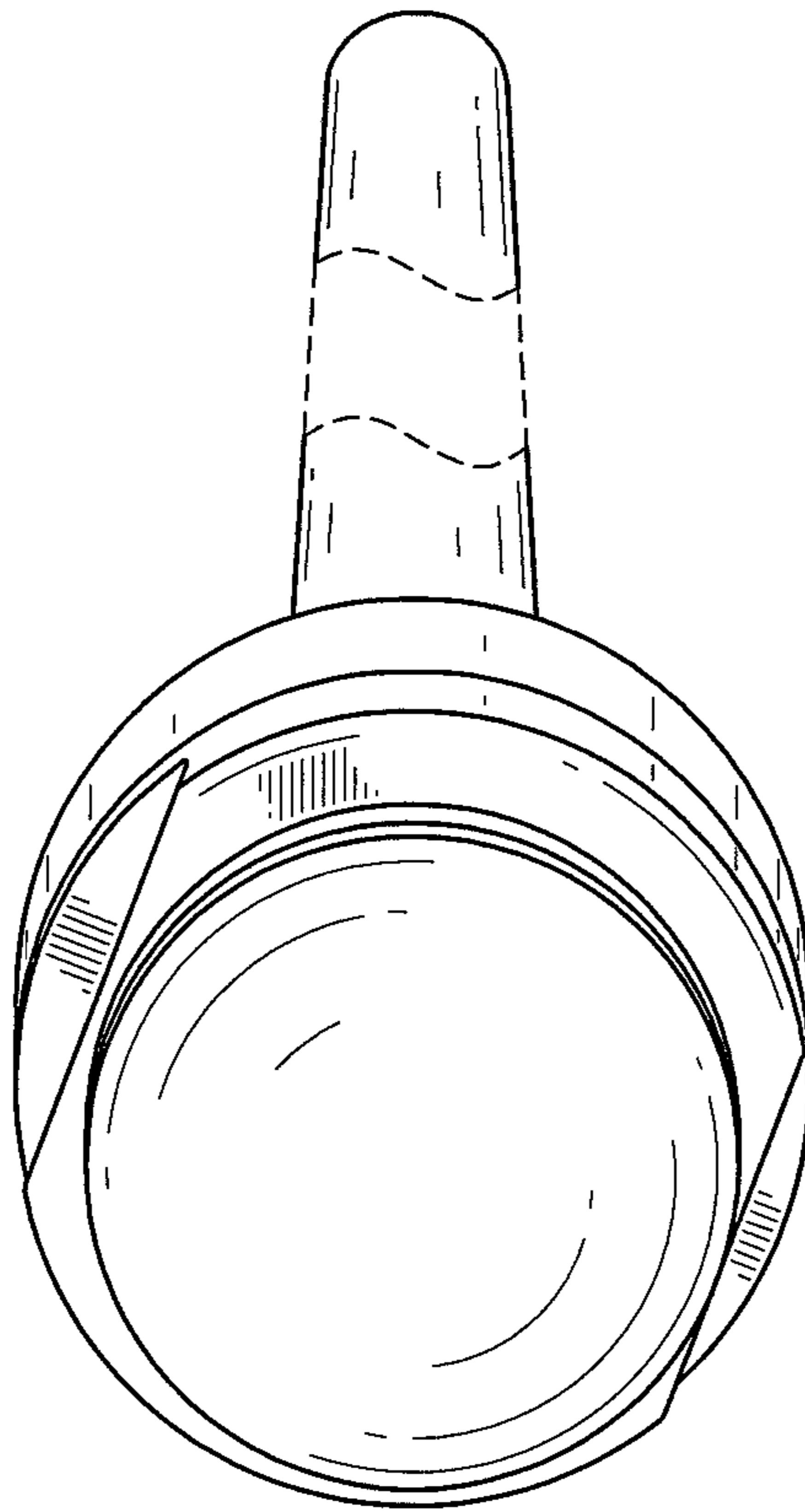


FIG.6

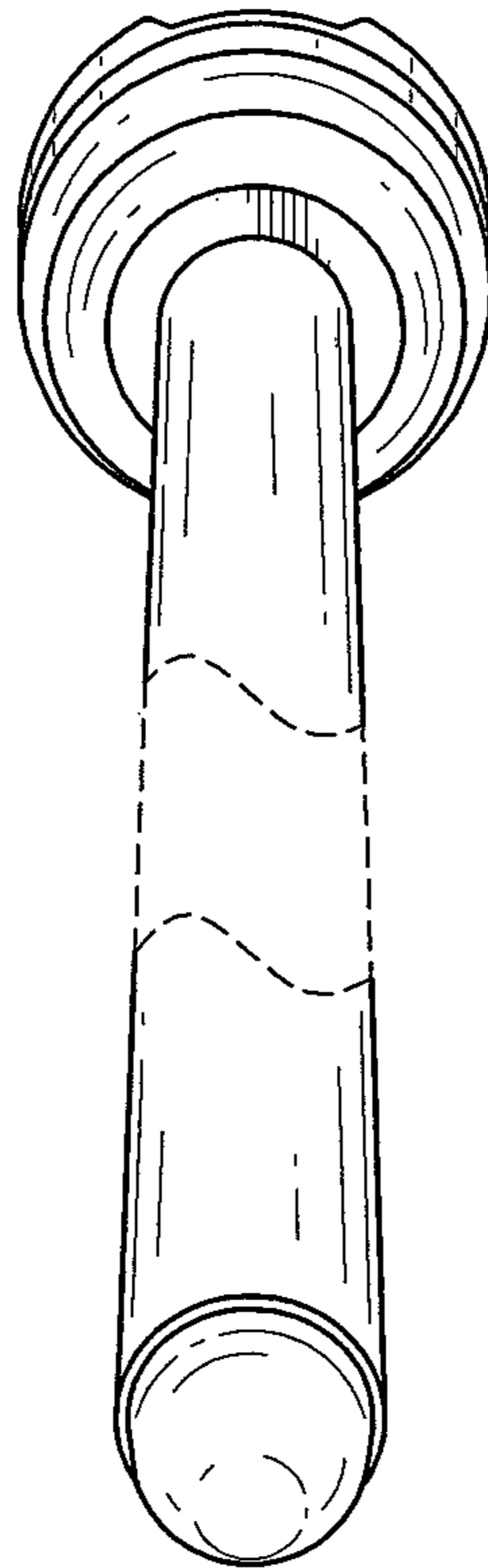


FIG.7