



US00D728098S

(12) **United States Design Patent**
Schad et al.

(10) **Patent No.:** **US D728,098 S**
(45) **Date of Patent:** **** Apr. 28, 2015**

- (54) **TROCAR**
- (71) Applicant: **KARL STORZ GmbH & Co. KG**,
Tuttlingen (DE)
- (72) Inventors: **Kurt Schad**, Kolbingen (DE); **Michael Sauer**, Tuttlingen (DE); **Sabine Zahler**, Ebersberg (DE)
- (73) Assignee: **KARL STORZ GmbH & Co. KG**,
Tuttlingen (DE)
- (**) Term: **14 Years**
- (21) Appl. No.: **29/469,844**
- (22) Filed: **Oct. 15, 2013**
- (30) **Foreign Application Priority Data**
Apr. 15, 2013 (EM) 002220467-0001
- (51) **LOC (10) Cl.** **24-02**
- (52) **U.S. Cl.**
USPC **D24/146; D24/147**
- (58) **Field of Classification Search**
CPC A61B 1/05; A61B 1/07; A61B 17/1671;
A61B 17/1617; A61B 5/1459; A61B 17/3417;
A61M 25/0662
USPC D24/127, 133, 136.146-152, 172, 173,
D24/174, 176; 600/325, 110, 180; 606/79,
606/80; D8/89, 388, 391, 397, 399;
604/164.03, 164.06
See application file for complete search history.

- (56) **References Cited**
U.S. PATENT DOCUMENTS
1,867,624 A * 7/1932 Hoffman 600/567
D139,216 S * 10/1944 Spanholtz D8/391
D142,358 S * 9/1945 Turkel D24/147
D250,544 S * 12/1978 Leonard D24/147

- D351,022 S * 9/1994 Saito D24/146
- D456,078 S * 4/2002 Peterson et al. D24/152
- D517,694 S * 3/2006 Wilshire et al. D24/146
- D588,697 S * 3/2009 Hickok D24/152
- D590,945 S * 4/2009 Berberich D24/146
- D599,015 S * 8/2009 Petersen D24/133
- D600,806 S * 9/2009 Horton et al. D24/133
- D606,193 S * 12/2009 Oberlaender et al. D24/146
- D614,302 S * 4/2010 Eisele D24/146
- D624,653 S * 9/2010 Boillat D24/146
- D684,039 S * 6/2013 Rose D8/388
- D692,133 S * 10/2013 Steinwachs et al. D24/146
- D700,322 S * 2/2014 Kleiner D24/133
- 8,690,832 B2 * 4/2014 Racz 604/164.07
- D716,644 S * 11/2014 Daniels D8/391
- D720,208 S * 12/2014 Jordan D8/397
- 2004/0087956 A1 * 5/2004 Weikel et al. 606/79
- 2008/0234713 A1 * 9/2008 Bernardini 606/170

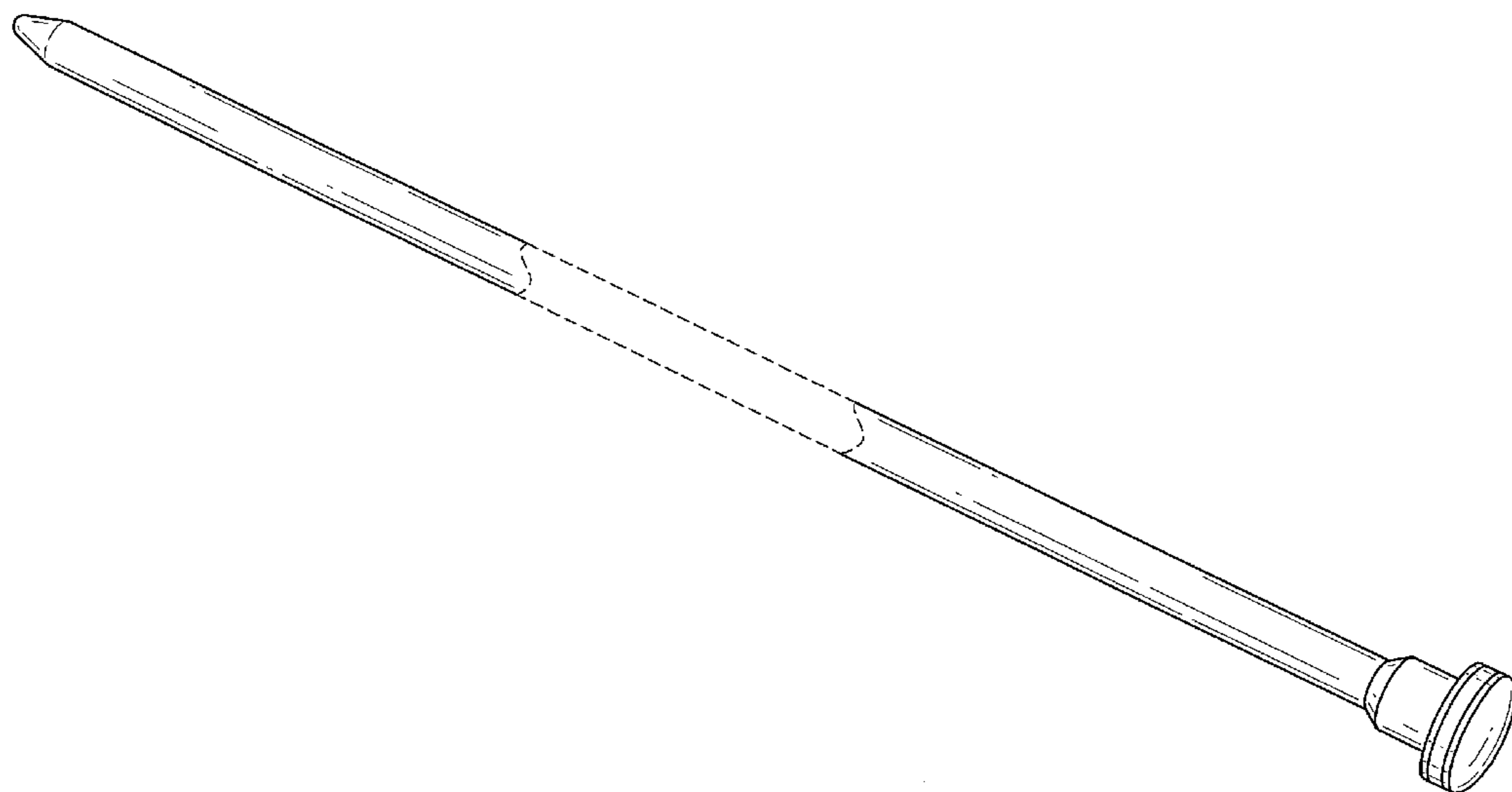
* cited by examiner

Primary Examiner — Robert M Spear
Assistant Examiner — Marissa J Cash
(74) *Attorney, Agent, or Firm* — Muncy, Geissler, Olds & Lowe, P.C.

(57) **CLAIM**
The ornamental design for a trocar, as shown and described.

DESCRIPTION
FIG. 1 is a rear perspective view of a trocar according to the present invention.
FIG. 2 is a top view of the trocar of FIG. 1.
FIG. 3 is a bottom view of the trocar of FIG. 1.
FIG. 4 is a left side view of the trocar of FIG. 1.
FIG. 5 is a right side view of the trocar of FIG. 1.
FIG. 6 is a rear elevational view of the trocar of FIG. 1; and, FIG. 7 is a front perspective view of the trocar of FIG. 1.
The dashed lines illustrate environment that does not form a part of the present invention, and no claim is made to the material illustrated with dashed lines.

1 Claim, 5 Drawing Sheets



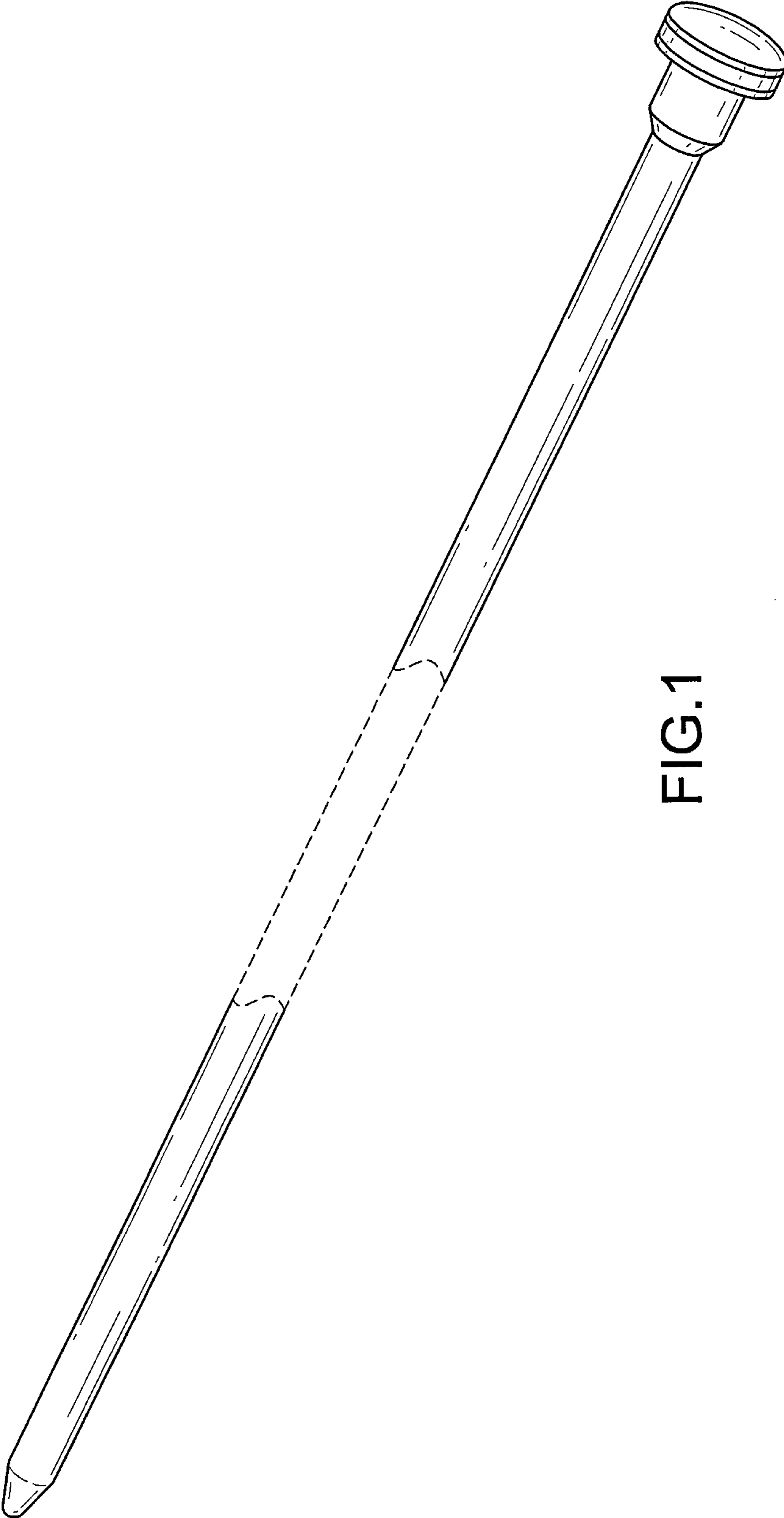


FIG.1

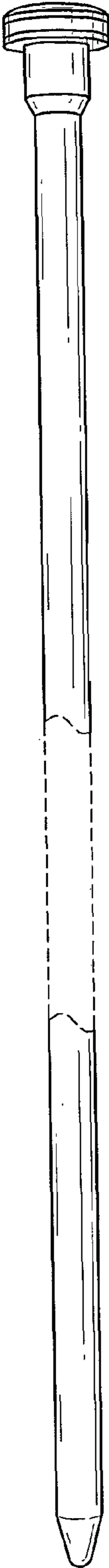


FIG.2

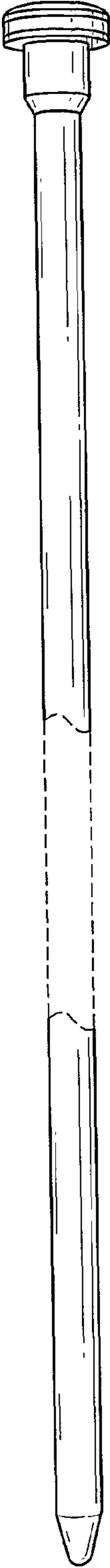


FIG.3

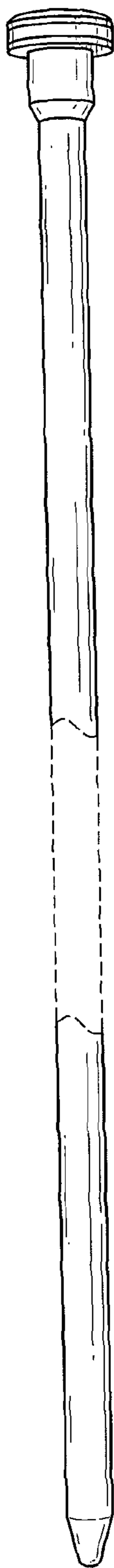


FIG.4

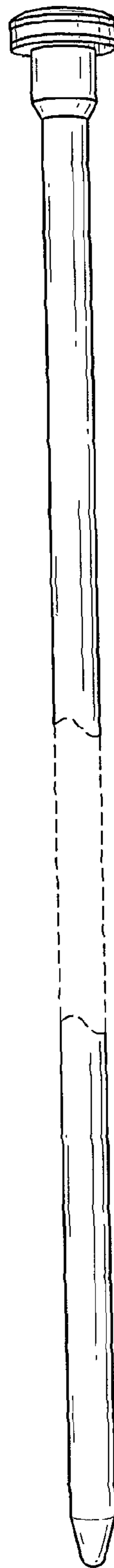


FIG.5

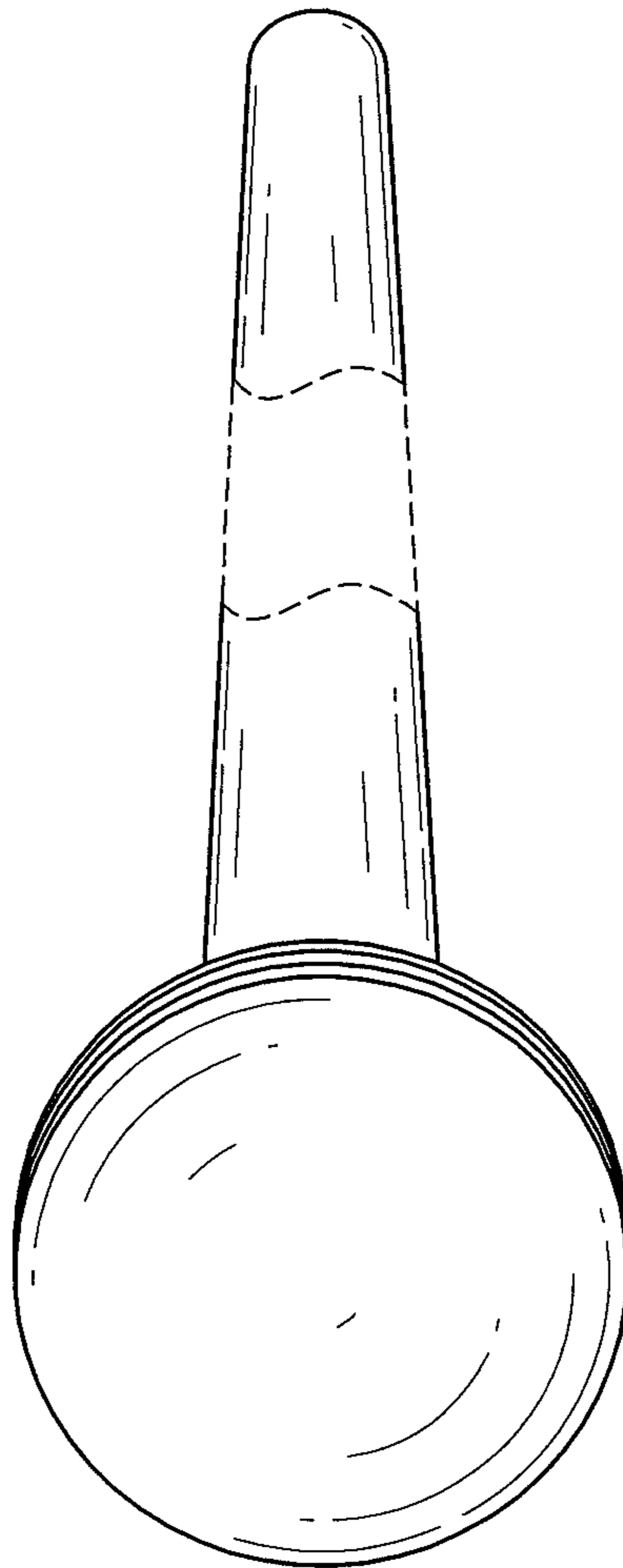


FIG.6

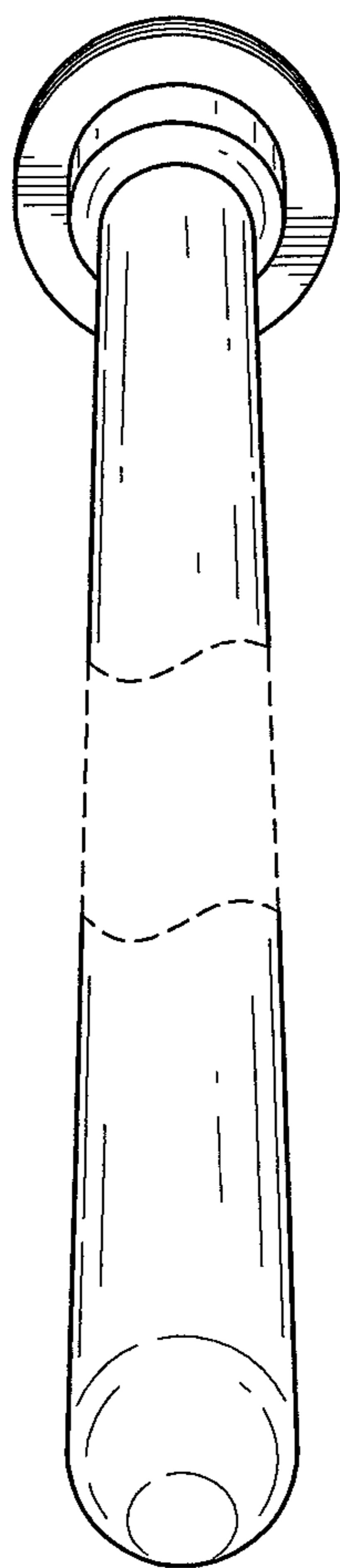


FIG.7