



US00D728097S

(12) **United States Design Patent**
Bravo

(10) **Patent No.:** **US D728,097 S**

(45) **Date of Patent:** **** Apr. 28, 2015**

(54) **DEVICE TO PREVENT ANAL LEAKAGE**

(71) Applicant: **Jorge Bravo**, Canoga Park, CA (US)

(72) Inventor: **Jorge Bravo**, Canoga Park, CA (US)

(**) Term: **14 Years**

(21) Appl. No.: **29/485,048**

(22) Filed: **Mar. 14, 2014**

(51) **LOC (10) Cl.** **24-02**

(52) **U.S. Cl.**
USPC **D24/141**

(58) **Field of Classification Search**
USPC D24/140–141, 108, 112, 114; 128/885;
600/29; 604/11, 15, 57, 60, 187, 218,
604/226, 334, 337; 606/114, 197
See application file for complete search history.

(56) **References Cited**

U.S. PATENT DOCUMENTS

2,105,946	A *	1/1938	Lewis	604/218
5,593,443	A	1/1997	Carter et al.		
5,695,484	A	12/1997	Cox		
5,749,826	A *	5/1998	Faulkner	600/29
5,817,124	A	10/1998	Karell		
6,070,588	A *	6/2000	Pham	128/885
D504,512	S *	4/2005	Fournier	D24/141
7,195,619	B2	3/2007	Manasek		
7,360,544	B2	4/2008	Levien		
D610,253	S *	2/2010	Kawamura	D24/114
8,062,277	B2	11/2011	Fleming		

D673,677	S *	1/2013	Noda et al.	D24/141
8,353,884	B2	1/2013	Hansen et al.		
8,444,546	B2	5/2013	Shalon et al.		
8,652,027	B2 *	2/2014	Hou et al.	600/29
D713,032	S *	9/2014	Fenton	D24/141
2006/0200955	A1	9/2006	Nishihara		
2007/0073099	A1	3/2007	Forsell		
2009/0247815	A1 *	10/2009	Hou et al.	600/29

* cited by examiner

Primary Examiner — Wan Laymon

(74) *Attorney, Agent, or Firm* — Law Office of Ken Dallara; Ken Dallara

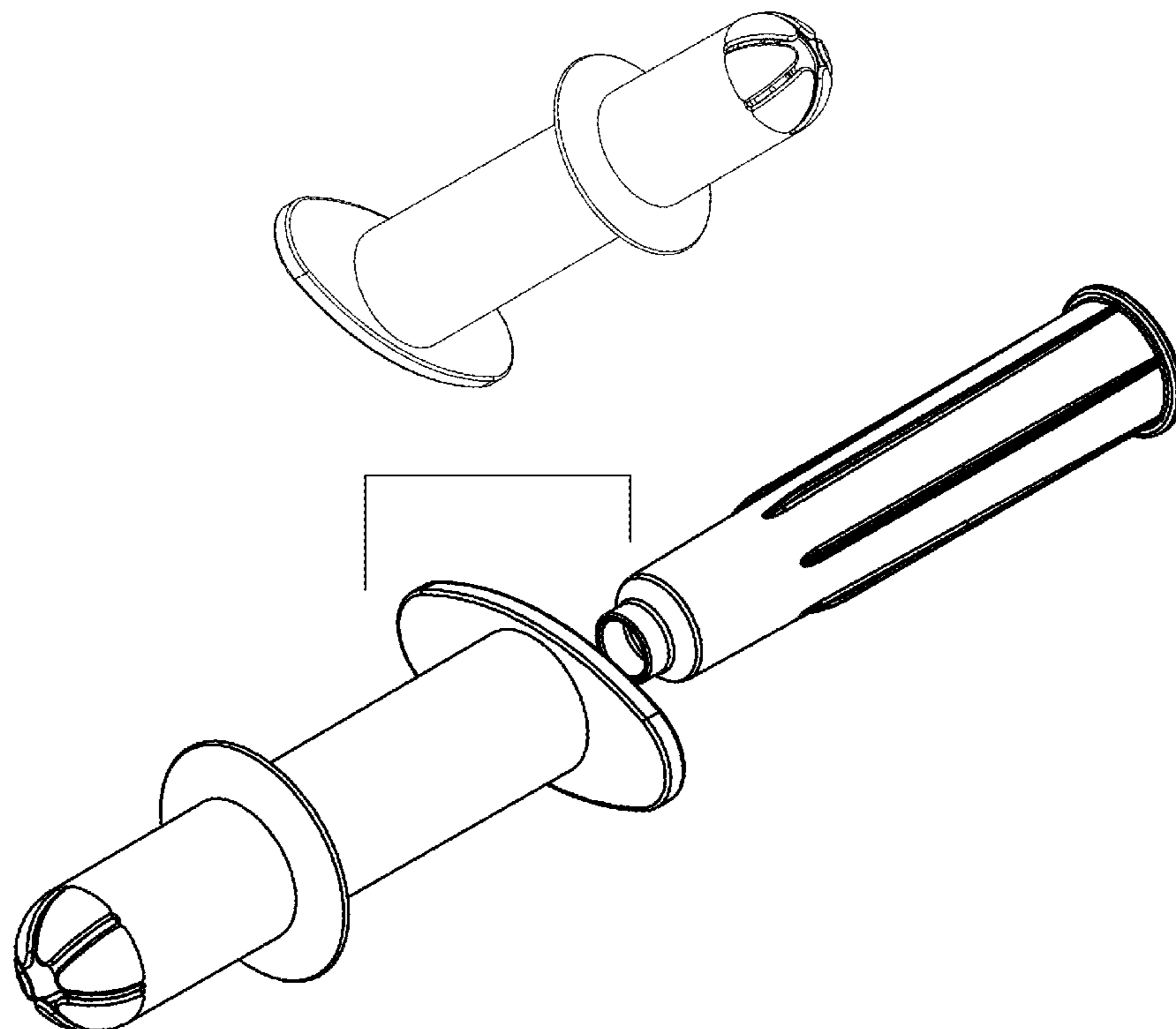
(57) **CLAIM**

The ornamental design for a device to prevent anal leakage, as shown and described.

DESCRIPTION

FIG. 1 is a front view of the device to prevent anal leakage showing my new design;
 FIG. 2 is a front and right side perspective view thereof;
 FIG. 3 is a front and left side perspective view thereof;
 FIG. 4 is a side view thereof;
 FIG. 5 is a rear view thereof;
 FIG. 6 is a bottom, rear and left side perspective view thereof;
 FIG. 7 is a bottom, rear and right side perspective view thereof;
 FIG. 8 is an exploded, unassembled front perspective view thereof; shown in an unassembled condition where the wadding material is not shown for ease of illustration; and,
 FIG. 9 is a rear partial assembled perspective view thereof.

1 Claim, 3 Drawing Sheets



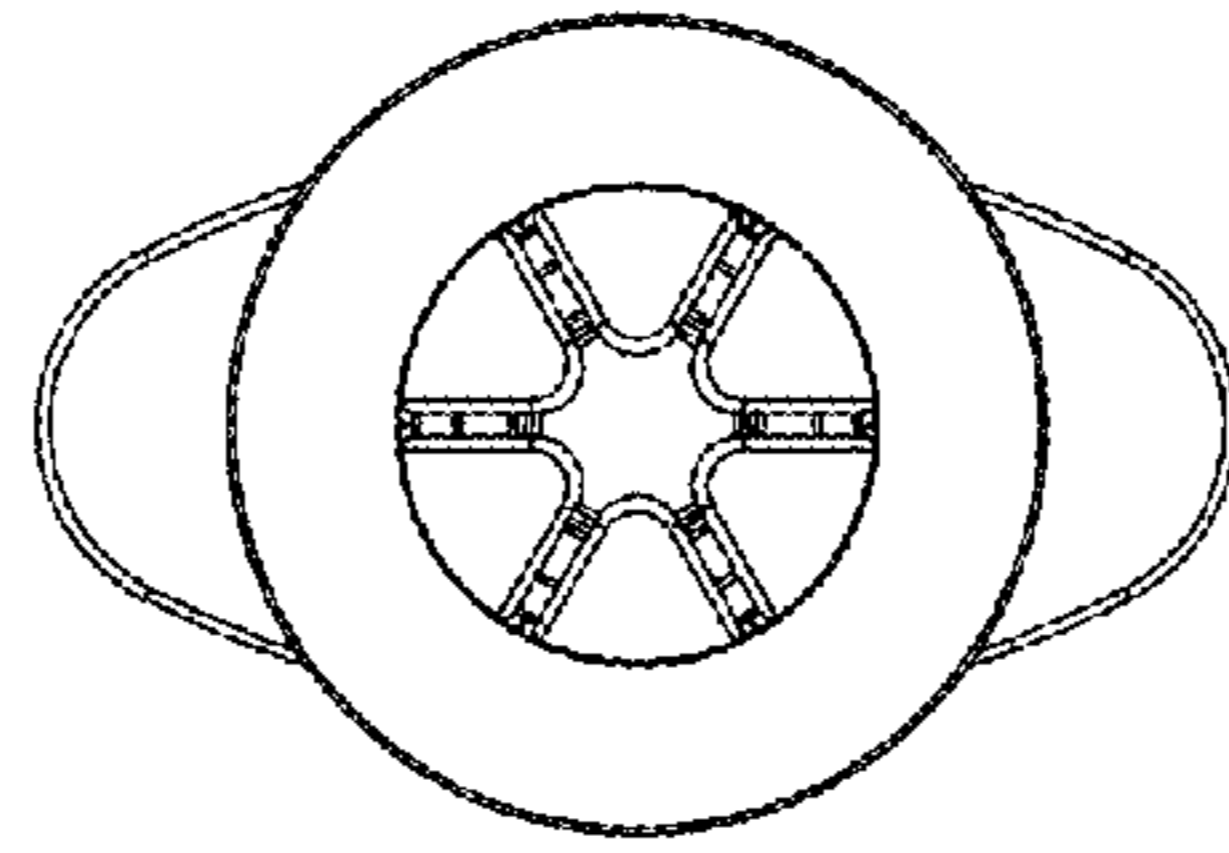


FIG. 1

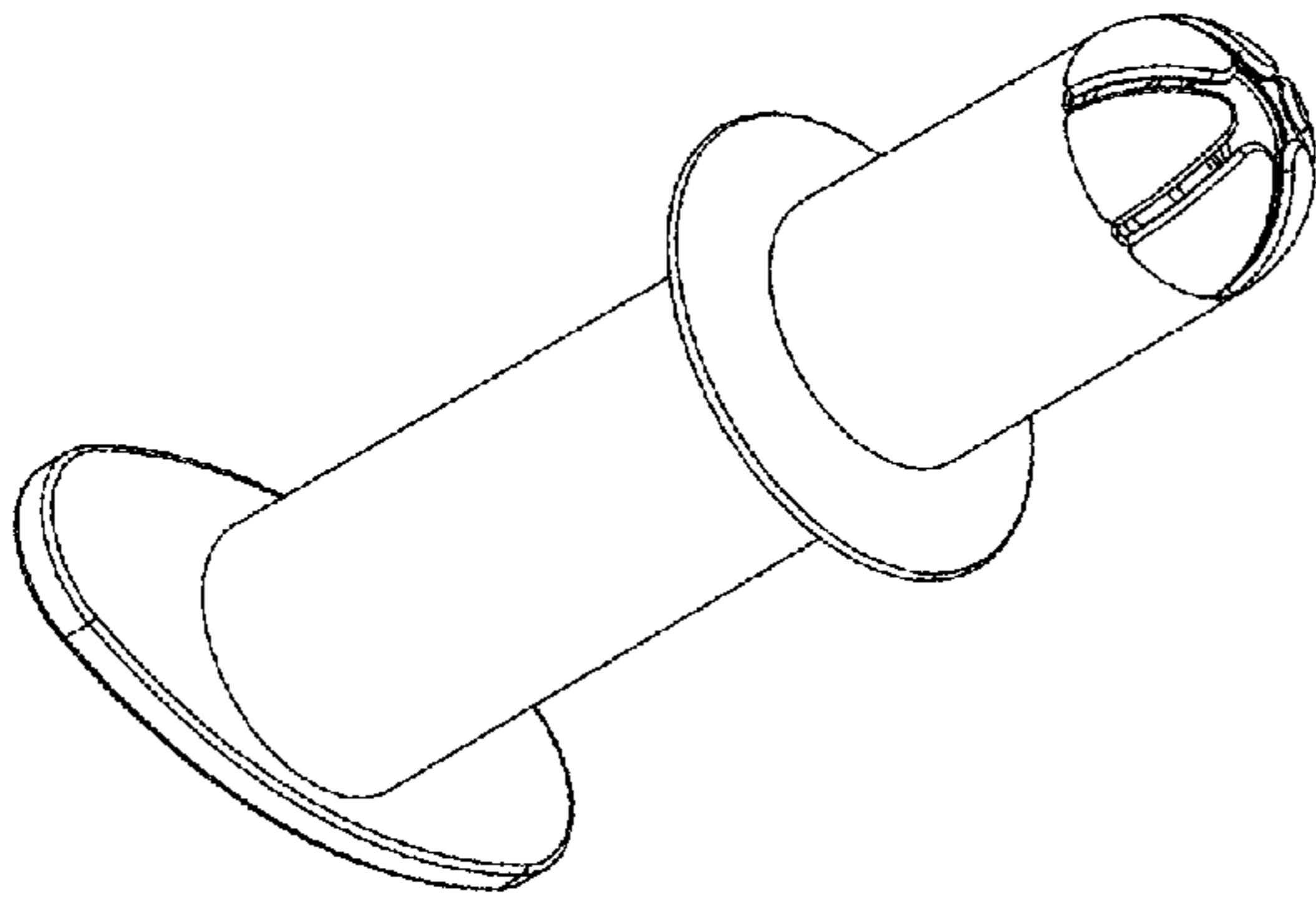


FIG. 2

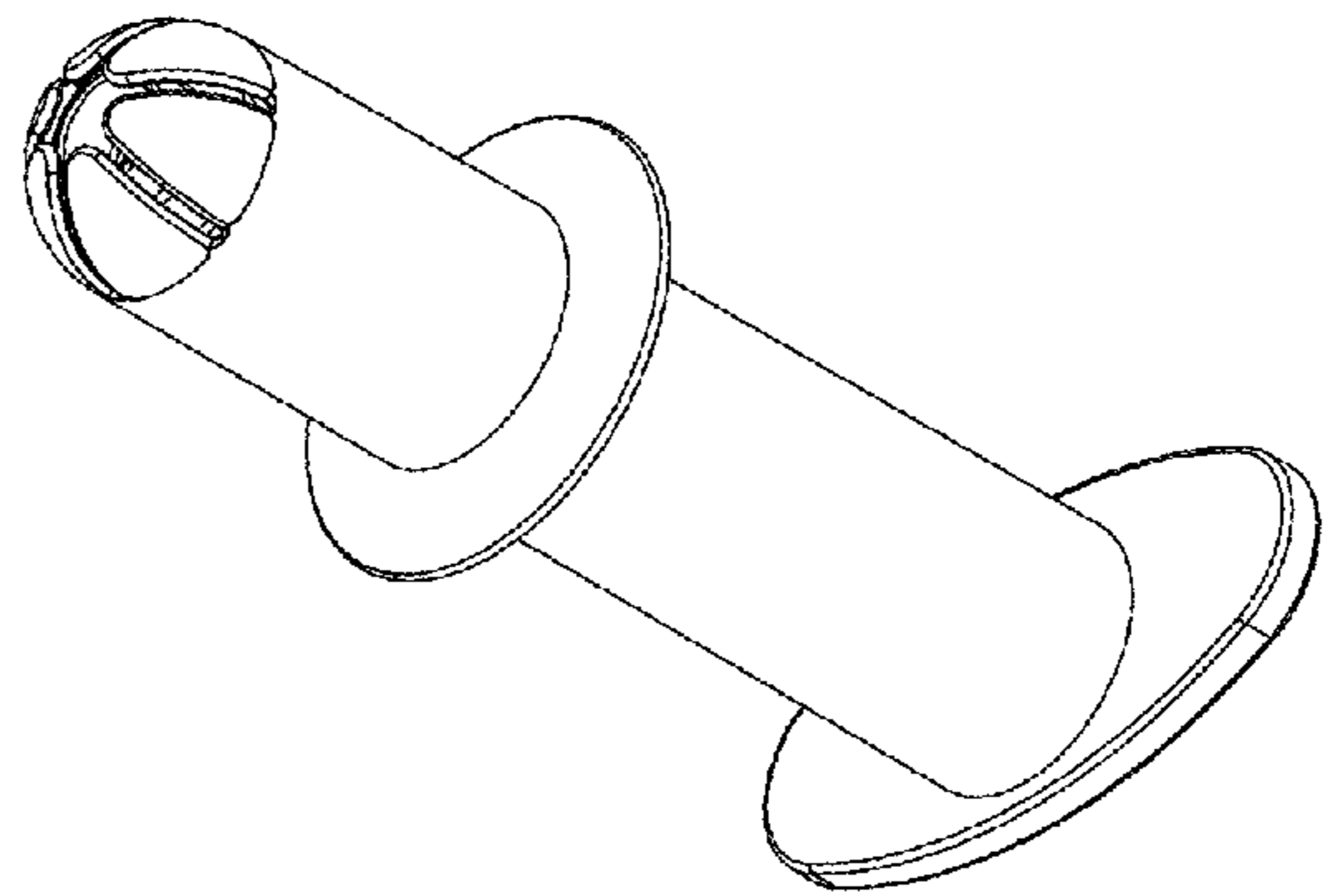


FIG. 3

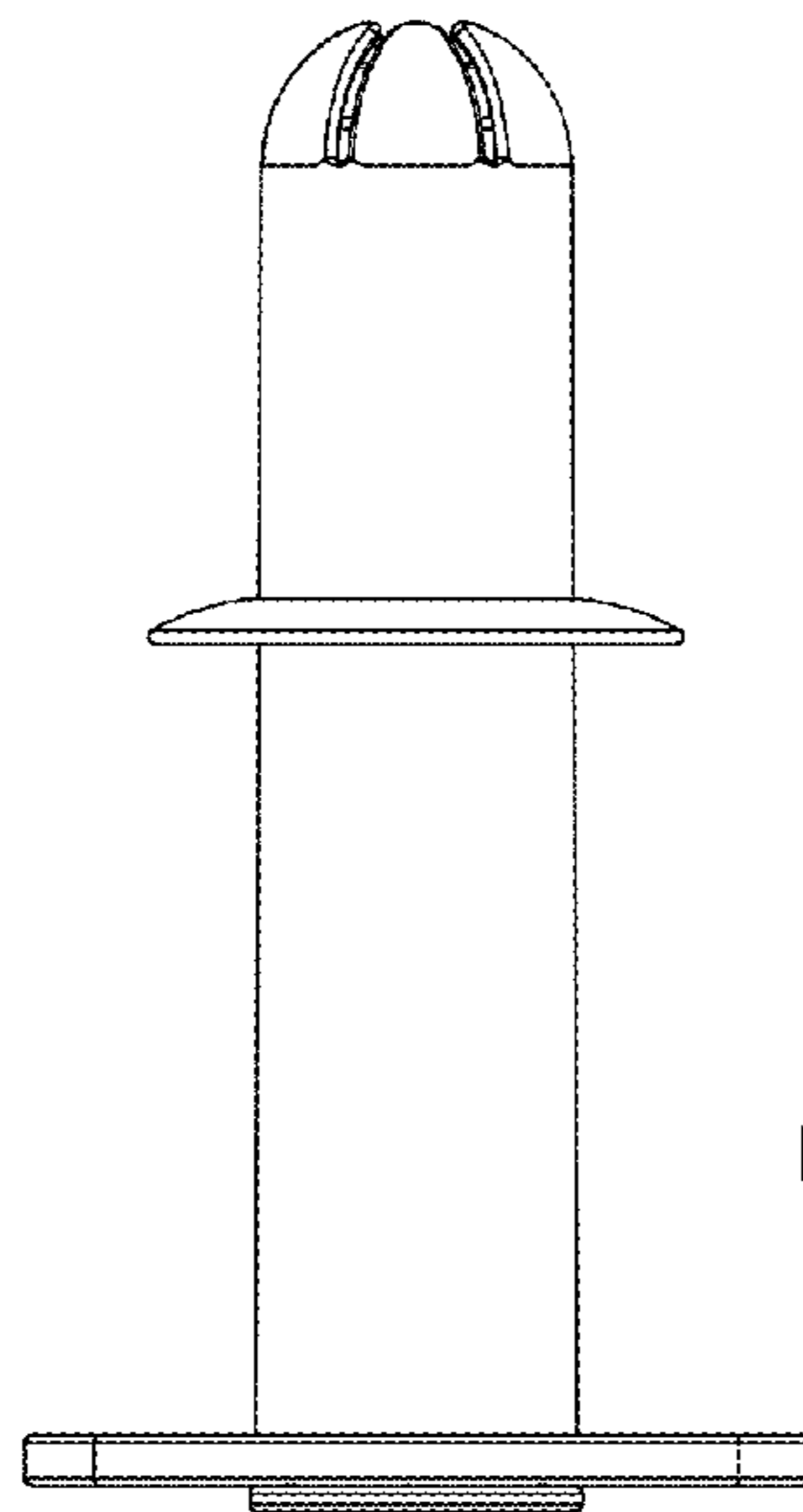


FIG. 4

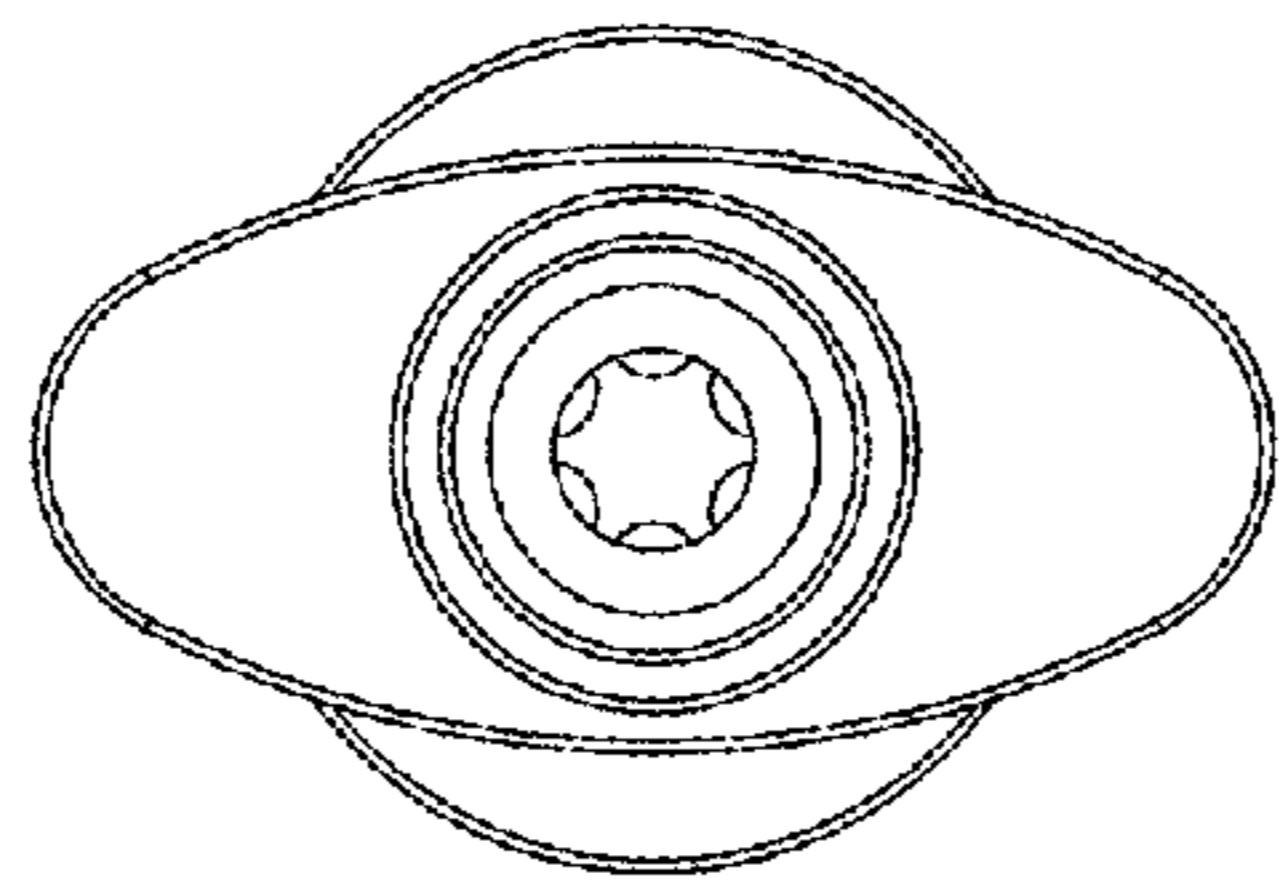


FIG. 5

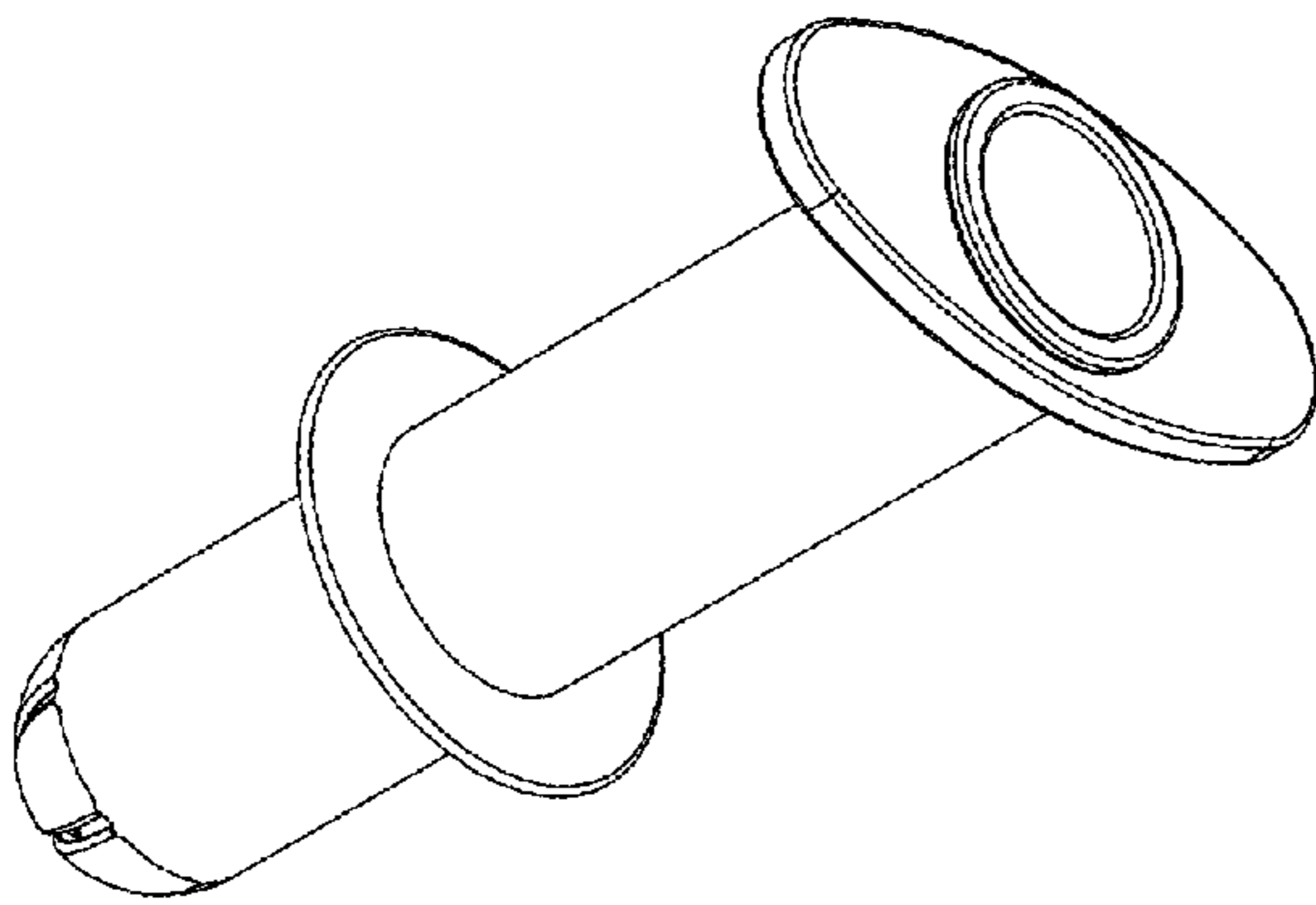


FIG. 6

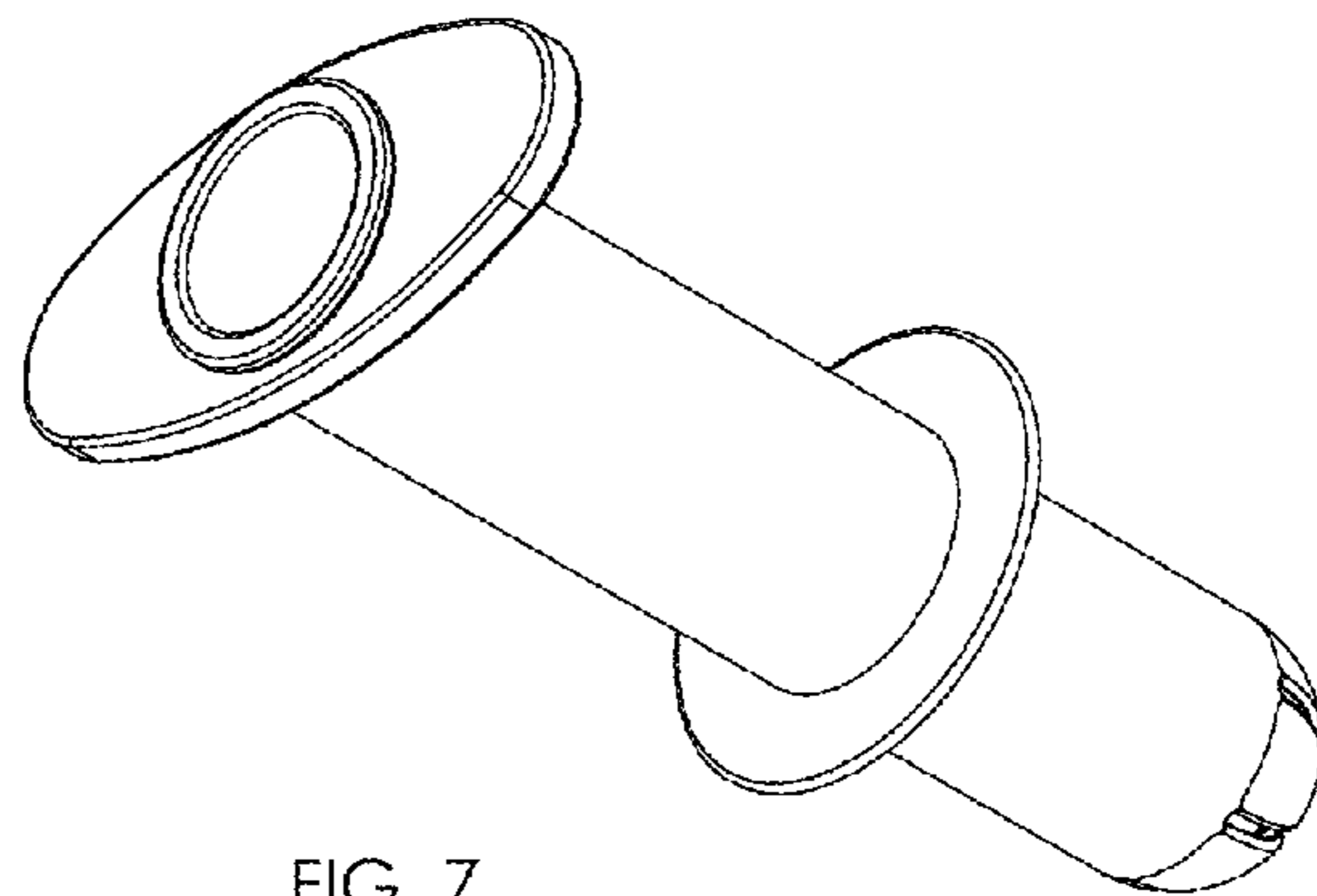


FIG. 7

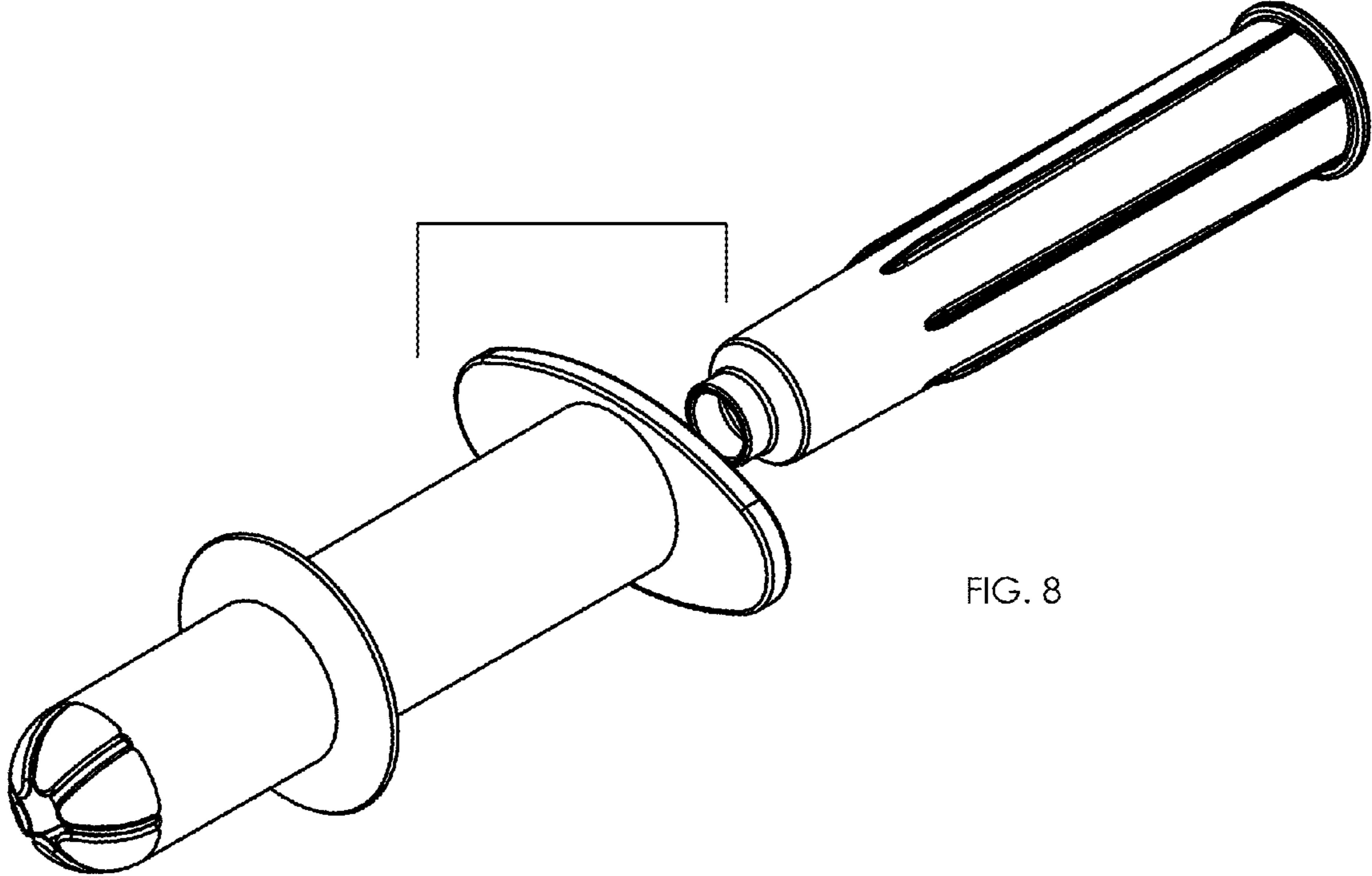


FIG. 8

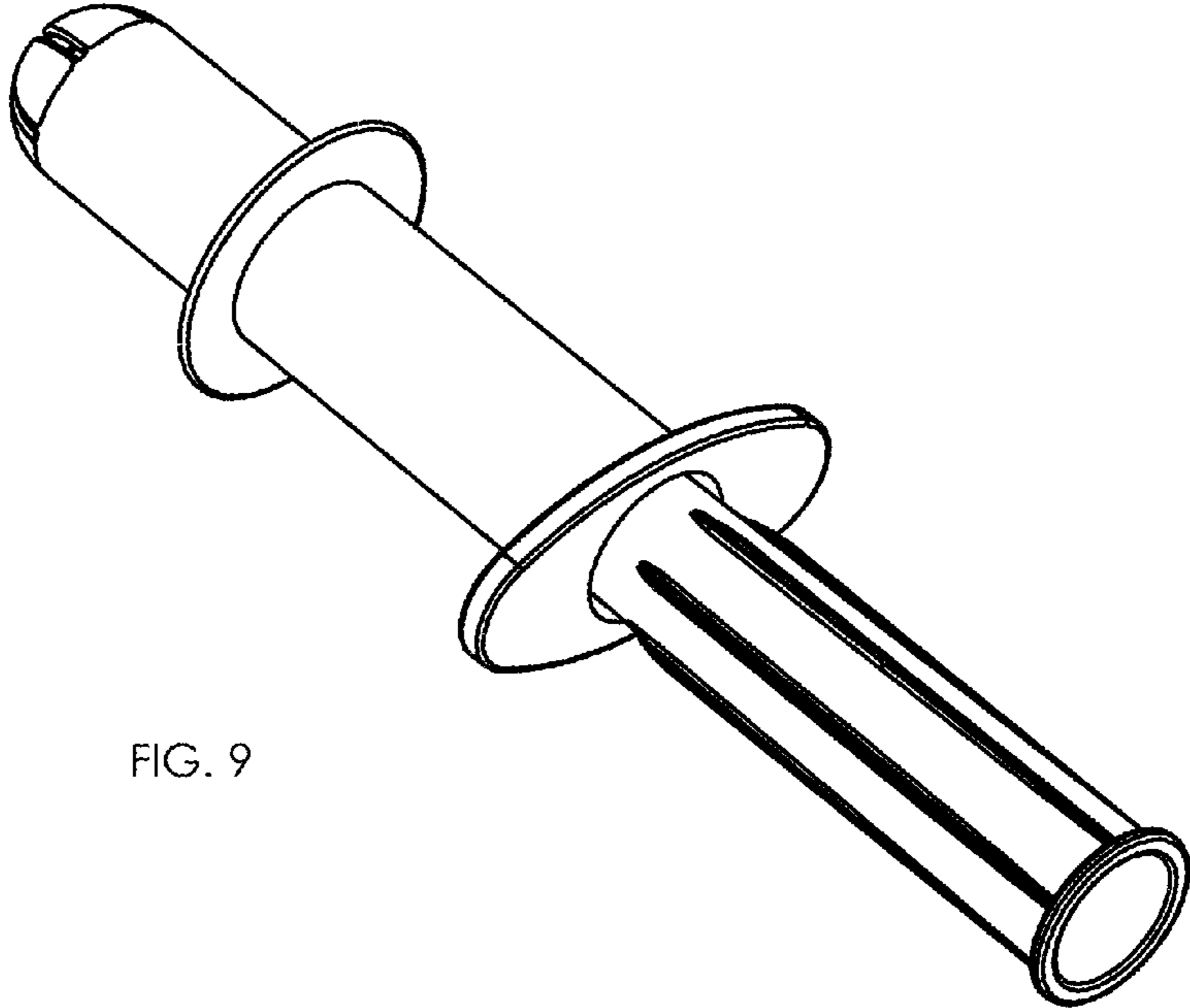


FIG. 9