



US00D728096S

(12) **United States Design Patent**
Yamamoto et al.

(10) **Patent No.:** **US D728,096 S**
(45) **Date of Patent:** **** Apr. 28, 2015**

(54) **DRIP STAND**

(71) Applicant: **Okamura Corporation**, Yokohama-shi,
Kanagawa (JP)

(72) Inventors: **Noriko Yamamoto**, Sabae (JP); **Chiaki Murata**, Toyonaka (JP); **Yoshihiro Sakakibara**, Yokohama (JP); **Naho Ono**, Yokohama (JP)

(73) Assignee: **Okamura Corporation**, Kanagawa (JP)

(**) Term: **14 Years**

(21) Appl. No.: **29/473,534**

(22) Filed: **Nov. 22, 2013**

(30) **Foreign Application Priority Data**

May 27, 2013 (JP) 2013-011570

(51) **LOC (10) Cl.** **24-02**

(52) **U.S. Cl.**
USPC **D24/128**

(58) **Field of Classification Search**
USPC D24/127-128; 248/121, 125.1, 124.1,
248/129

See application file for complete search history.

(56) **References Cited**

U.S. PATENT DOCUMENTS

3,298,367 A * 1/1967 Bergman 604/246
4,332,378 A * 6/1982 Pryor D24/128
4,725,027 A * 2/1988 Bekanich 248/125.8
4,744,536 A * 5/1988 Bancalari 248/125.8

D309,023 S * 7/1990 Johnson et al. D24/127
D419,674 S * 1/2000 Schattner D24/128
D628,691 S * 12/2010 Sung et al. D24/128
7,896,298 B2 * 3/2011 Meyers et al. 248/125.8

* cited by examiner

Primary Examiner — Robert Delehanty

(74) *Attorney, Agent, or Firm* — Sughrue Mion, PLLC

(57) **CLAIM**

The ornamental design for a drip stand, as shown and described.

DESCRIPTION

FIG. 1 is a perspective view of a drip stand.

FIG. 2 is a front elevation view thereof.

FIG. 3 is a rear elevation view thereof.

FIG. 4 is a right side elevation view thereof. A left side elevation view is a mirror image of the right side elevation view.

FIG. 5 is a top plan view thereof.

FIG. 6 is a bottom plan view thereof.

FIG. 7 is an enlarged cross-sectional view taken along the line 7-7 in FIG. 2.

FIG. 8 is an enlarged cross-sectional view taken along the line 8-8 in FIG. 2.

FIG. 9 is a cross-sectional view taken along the line 9-9 in FIG. 2.

FIG. 10 is an enlarged cross-sectional view taken along the line 10-10 in FIG. 4.

FIG. 11 is an enlarged cross-sectional view taken along the line 11-11 in FIG. 4; and,

FIG. 12 is an enlarged cross-sectional view taken along the line 12-12 in FIG. 4.

1 Claim, 12 Drawing Sheets

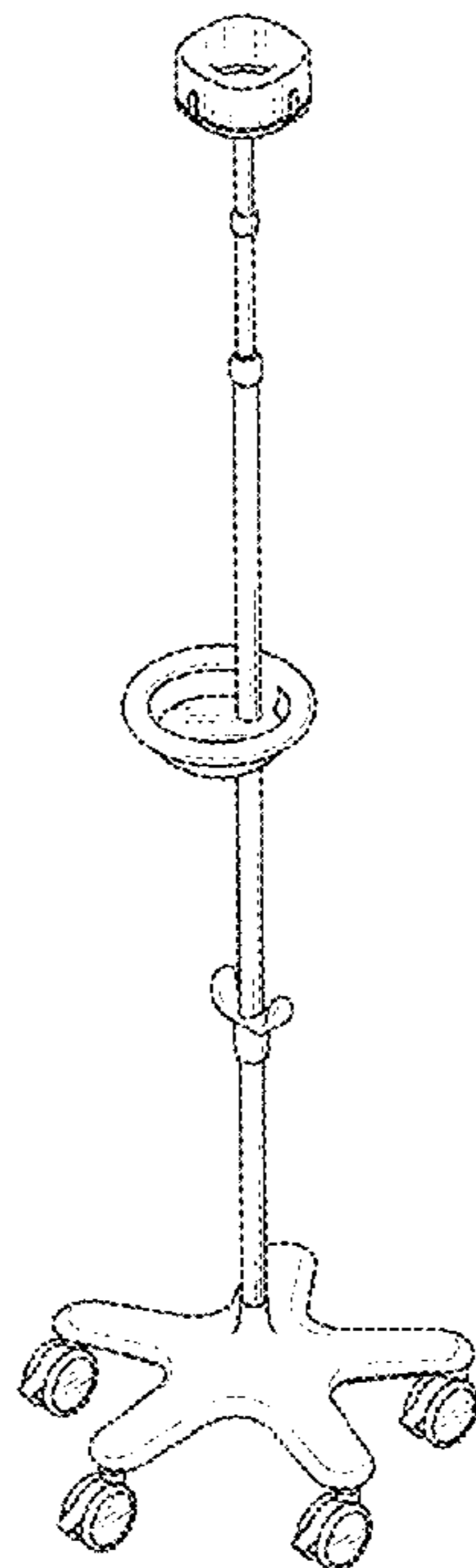


FIG. 1

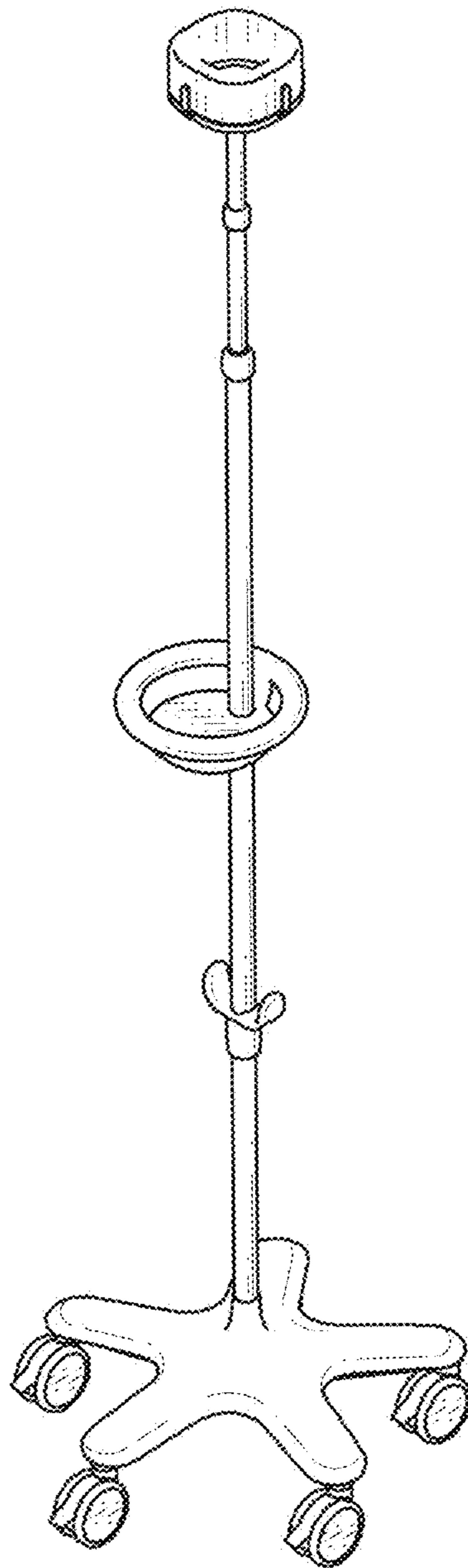


FIG. 2

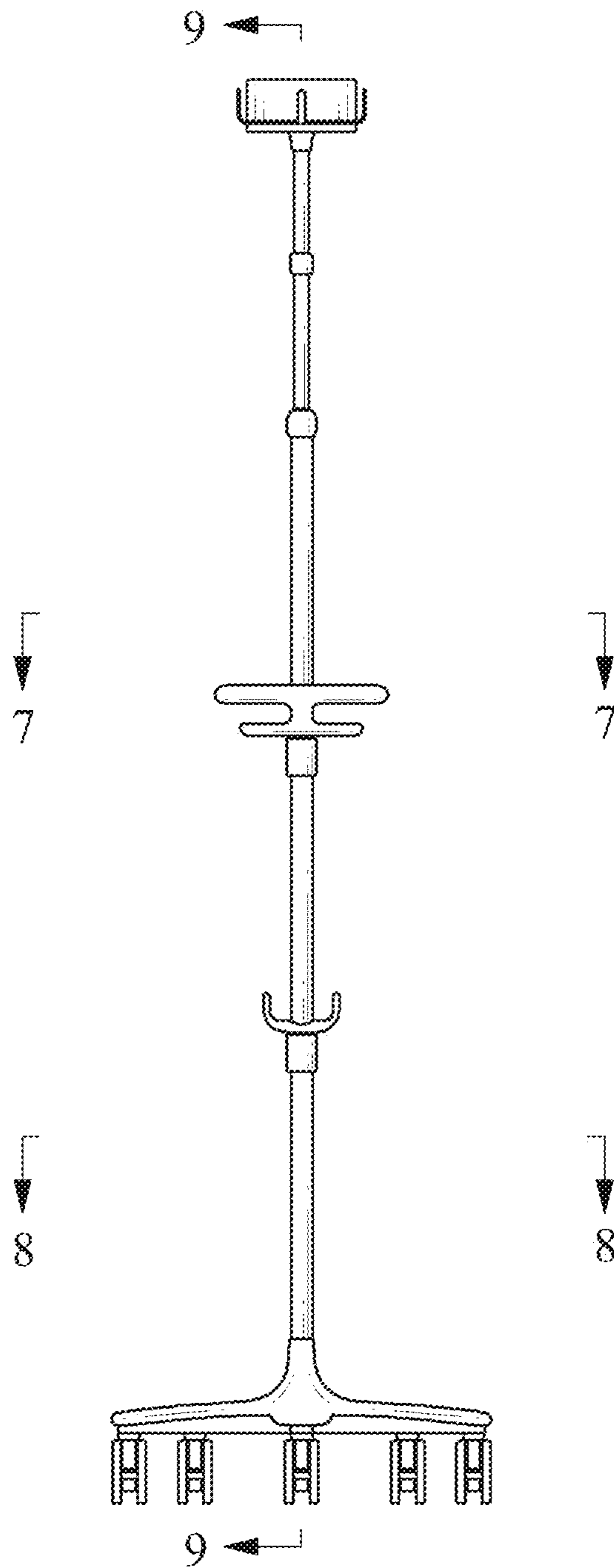


FIG. 3

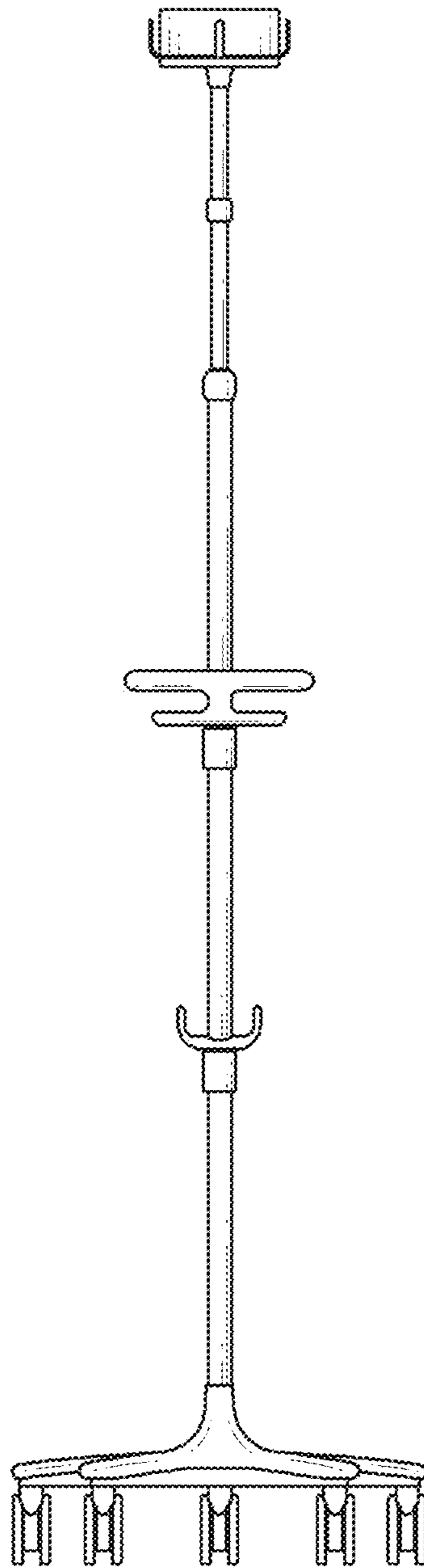


FIG. 4

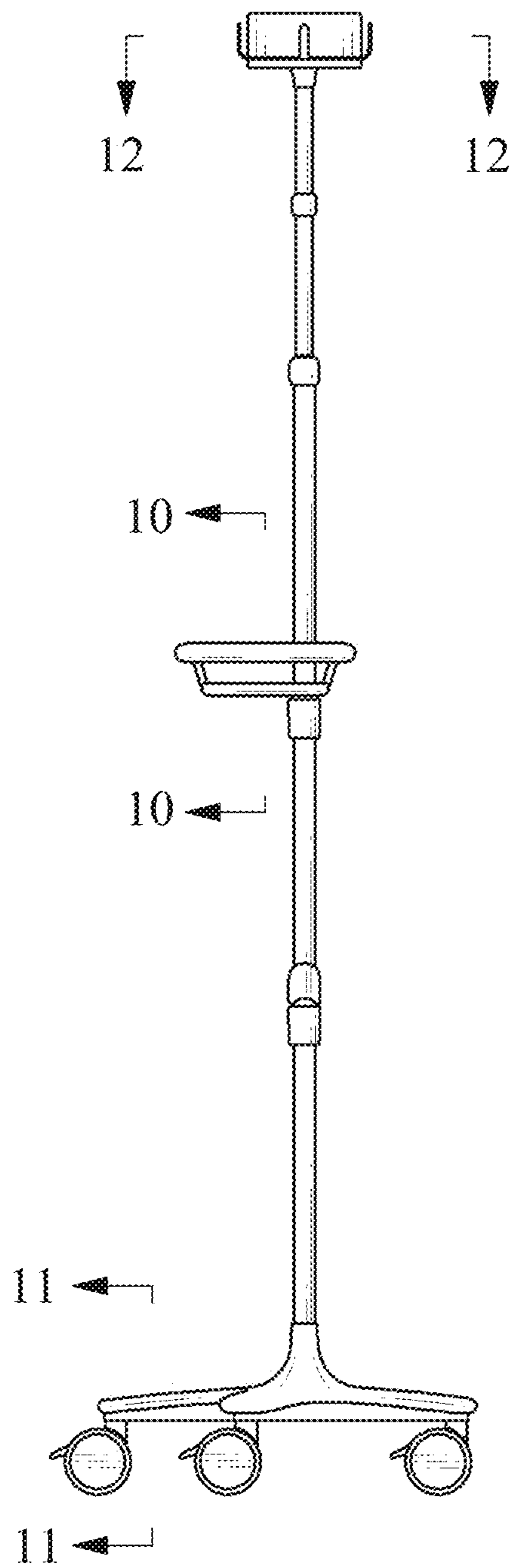


FIG. 5

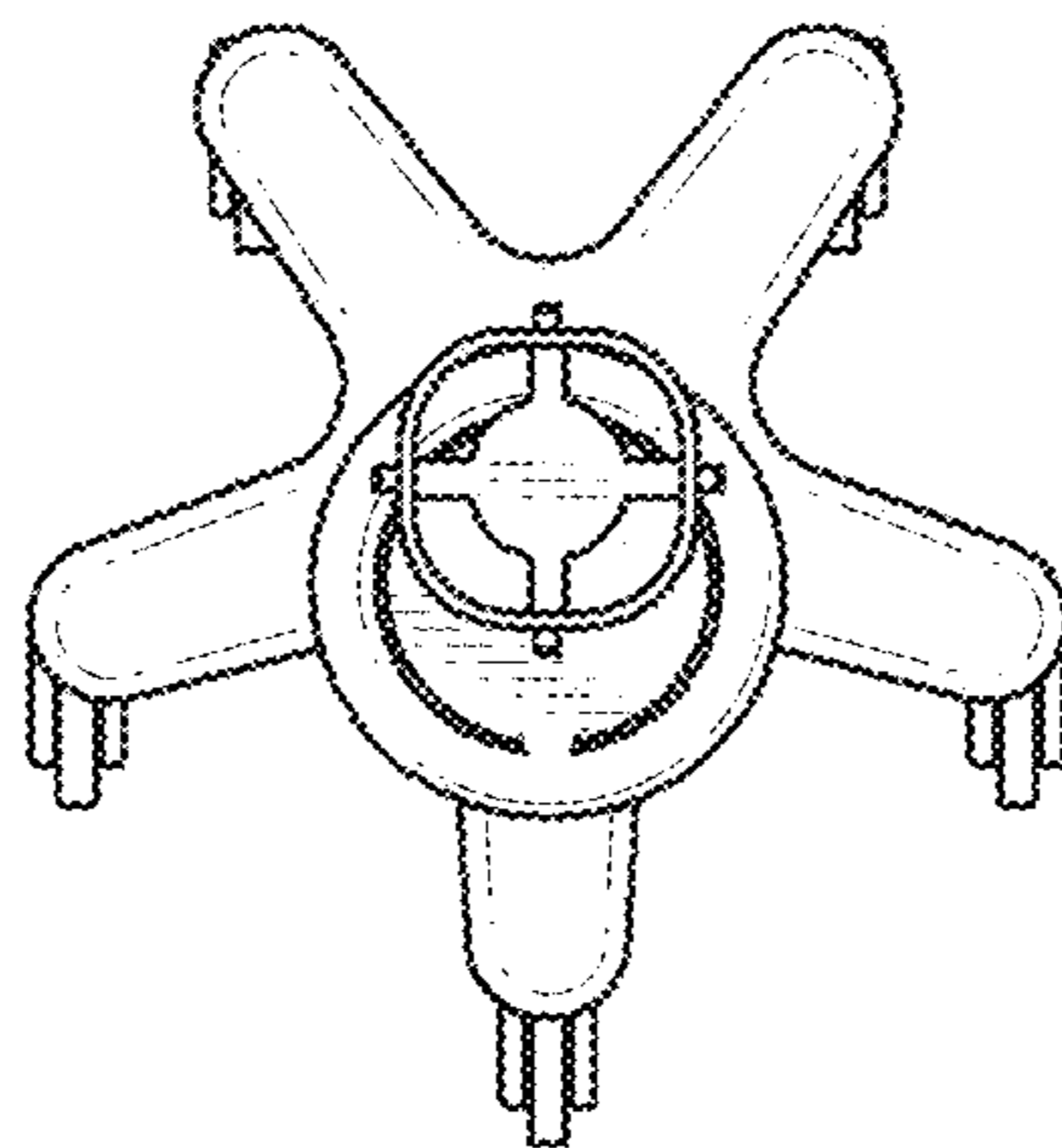


FIG. 6

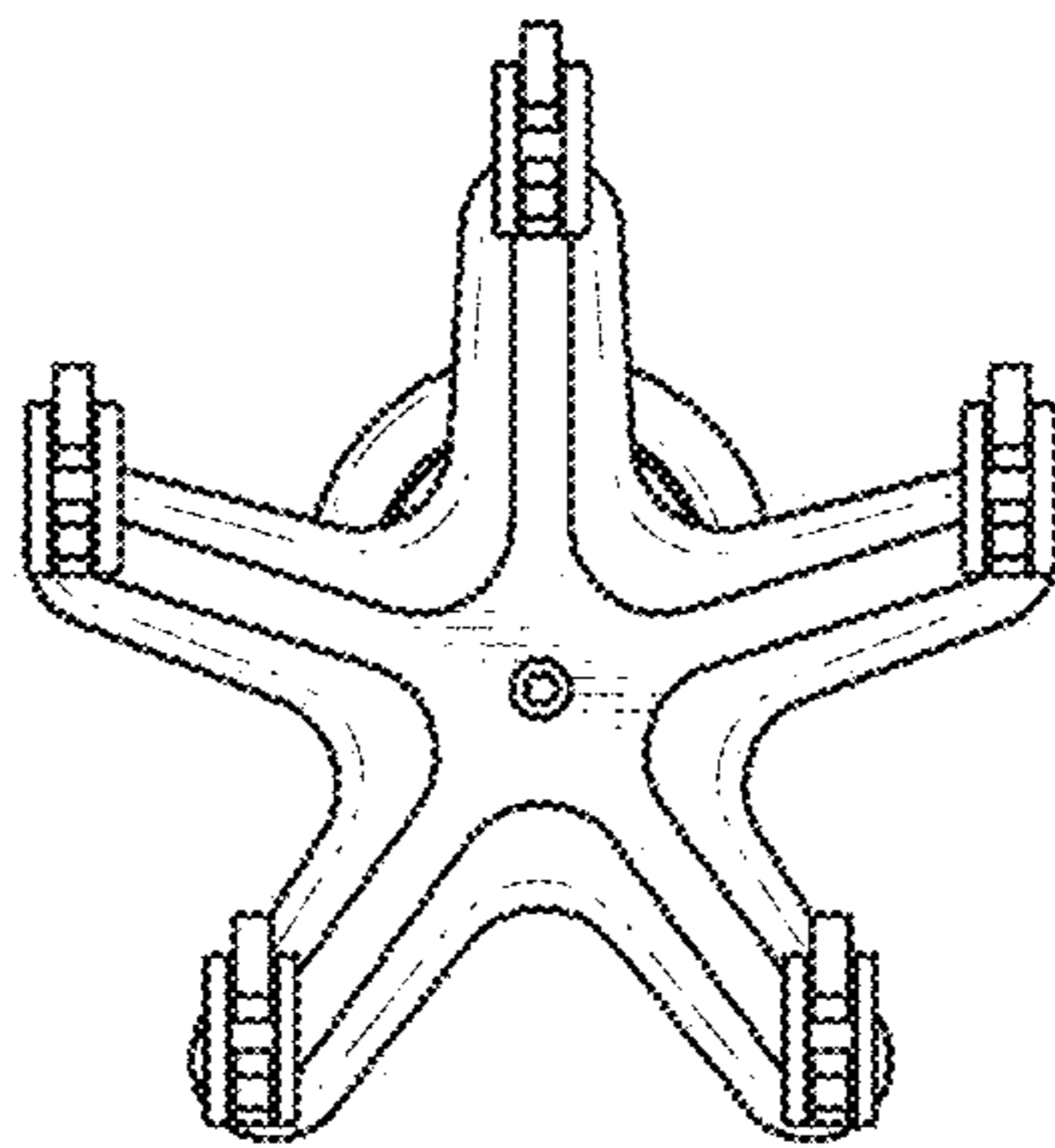


FIG. 7

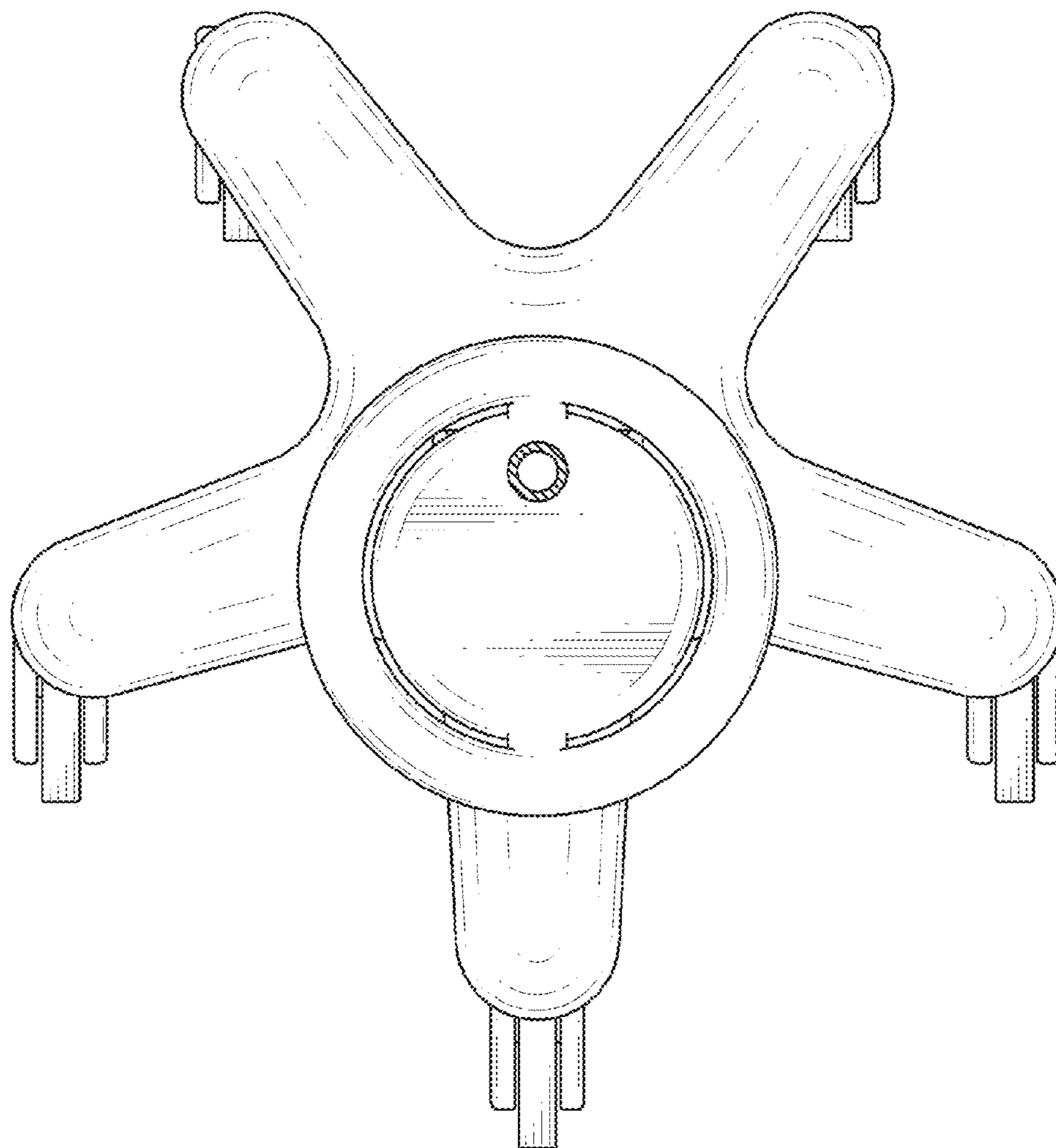


FIG. 8

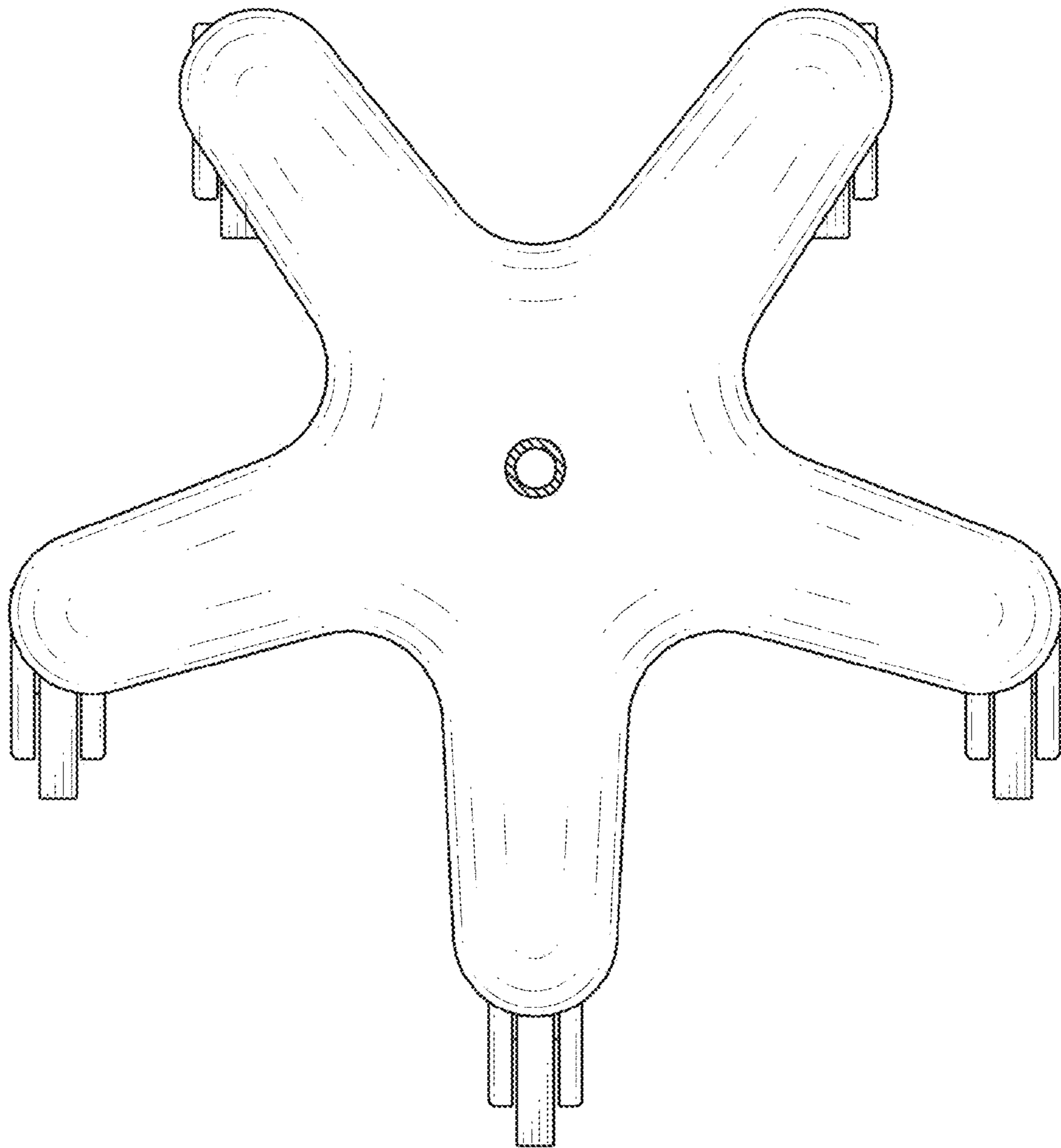


FIG. 9

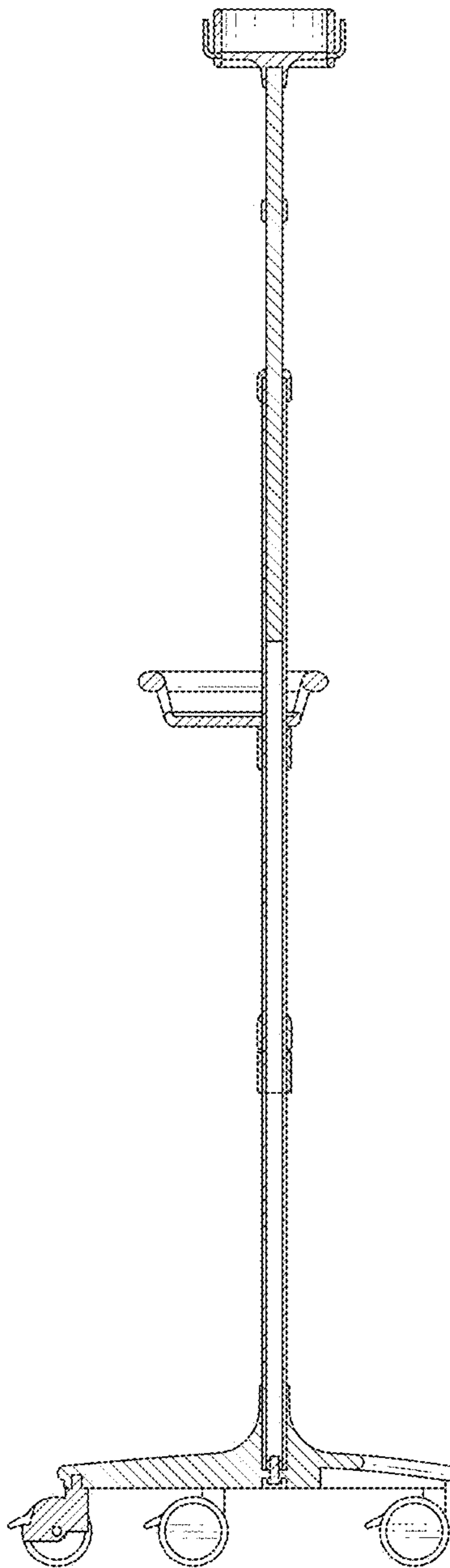


FIG. 10

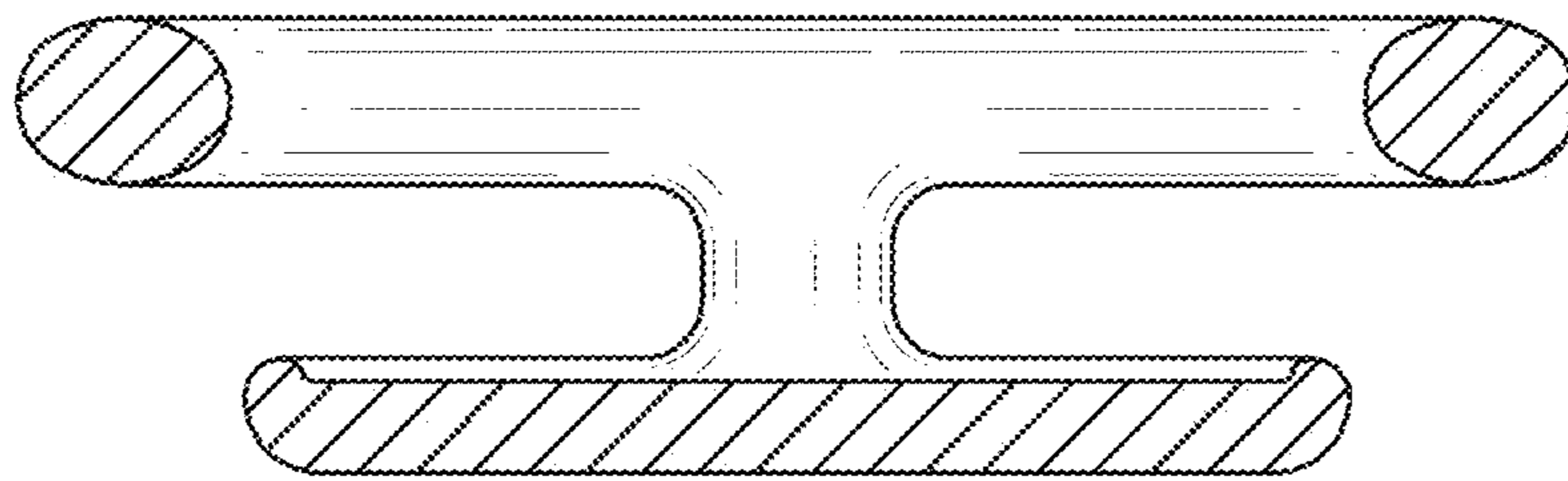


FIG. 11

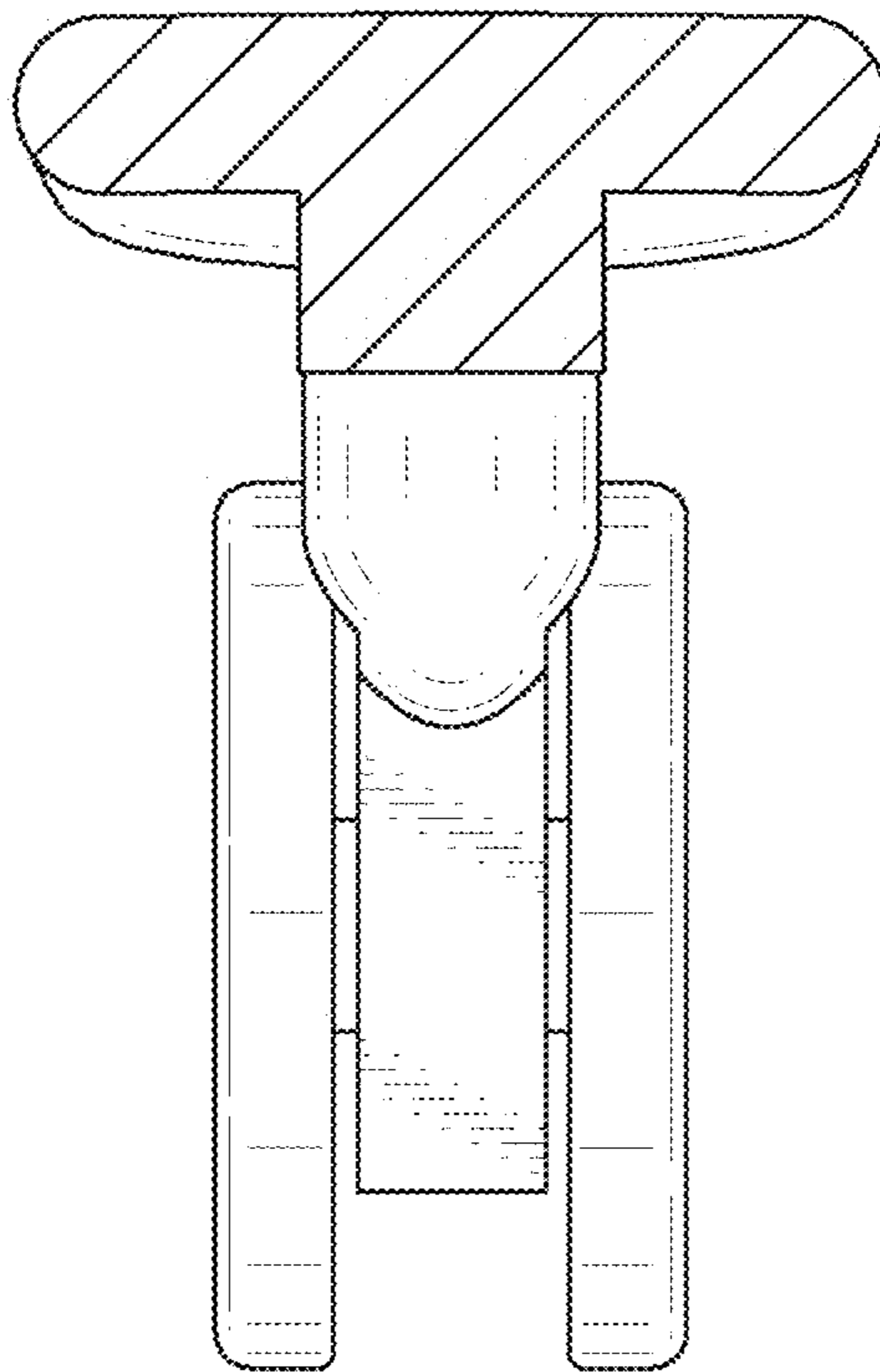


FIG. 12

