



US00D728095S

(12) **United States Design Patent**
Green

(10) **Patent No.:** **US D728,095 S**

(45) **Date of Patent:** **** Apr. 28, 2015**

(54) **CELL ENCAPSULATION DEVICE**
(75) Inventor: **Chad Green**, San Diego, CA (US)
(73) Assignee: **Viacyte, Inc.**, San Diego, CA (US)
(**) Term: **14 Years**

(21) Appl. No.: **29/408,368**
(22) Filed: **Dec. 12, 2011**
(51) **LOC (10) Cl.** **24-02**
(52) **U.S. Cl.**
USPC **D24/118**
(58) **Field of Classification Search**
USPC D24/118, 127, 108, 128, 111, 189;
604/317, 327, 408, 403, 108, 339, 92,
604/415, 410, 332, 333, 322, 323;
128/DIG. 24; 383/22, 23, 35; D9/707,
D9/709, 696; 206/219; D18/56; 623/23.72,
623/1.41, 13.17; 435/325
See application file for complete search history.

(56) **References Cited**

U.S. PATENT DOCUMENTS

2,836,329	A *	5/1958	Chenette	604/207
4,852,742	A *	8/1989	Scuorzo	206/568
5,314,471	A	5/1994	Brauker et al.	
D350,690	S *	9/1994	Herro	D9/696
D362,913	S *	10/1995	Eisenberg et al.	D24/190
D367,705	S *	3/1996	Williams	D24/132
D369,607	S *	5/1996	MacGilvary et al.	D14/250
5,545,223	A	8/1996	Neuenfeldt et al.	
5,593,440	A	1/1997	Brauker et al.	
5,713,888	A	2/1998	Neuenfeldt et al.	
5,733,336	A	3/1998	Neuenfeldt et al.	
5,759,180	A *	6/1998	Myhres	604/332
5,902,745	A *	5/1999	Butler et al.	435/297.2
5,964,261	A	10/1999	Neuenfeldt et al.	
6,060,640	A	5/2000	Pauley et al.	

D548,609 S * 8/2007 Considine et al. D9/611

* cited by examiner

Primary Examiner — David Muller

(74) *Attorney, Agent, or Firm* — Kilpatrick Townsend & Stockton LLP

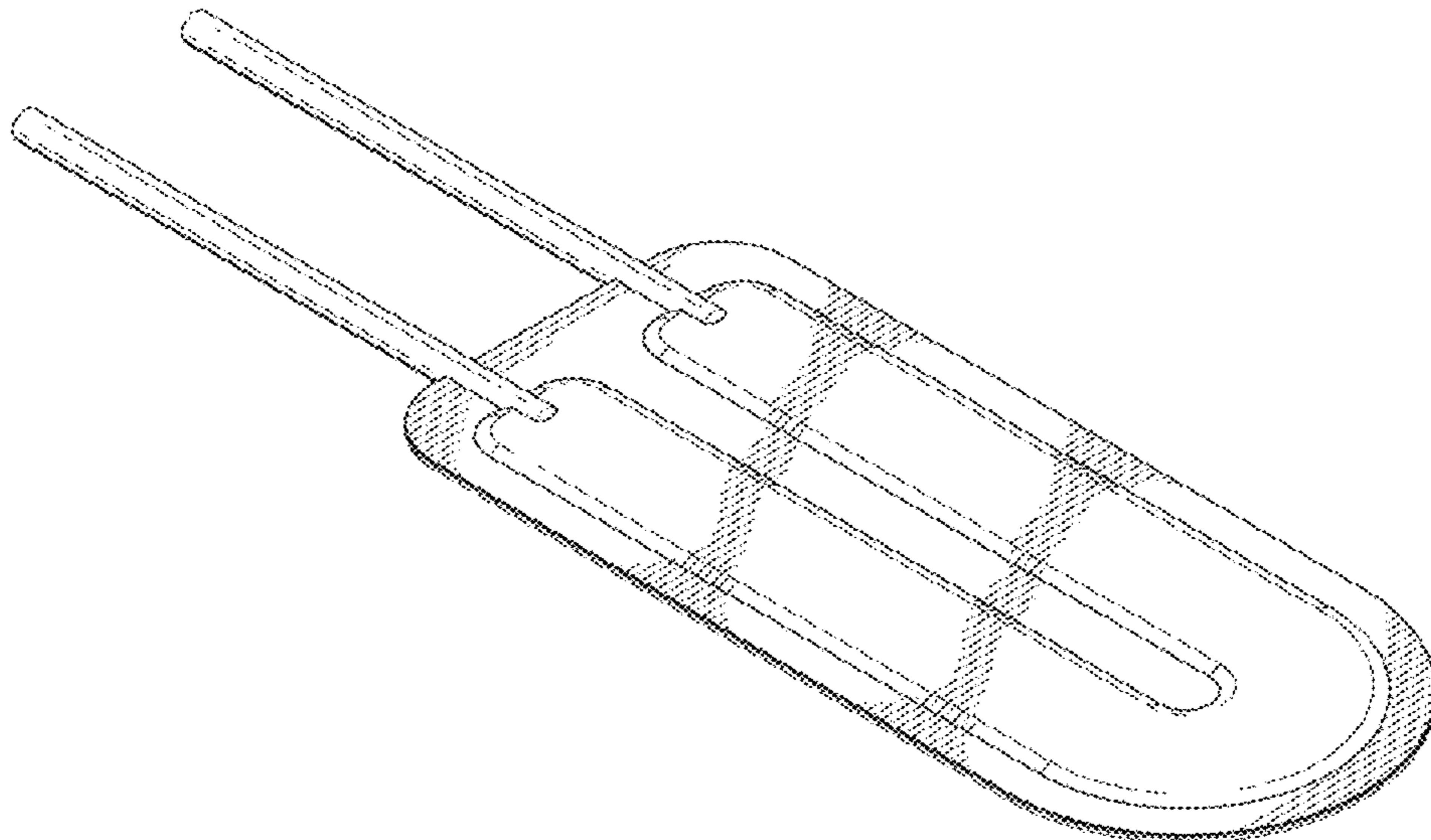
(57) **CLAIM**

The ornamental design for the cell encapsulation device, as shown.

DESCRIPTION

FIG. 1 is a perspective view of a first embodiment of the cell encapsulation device;
FIG. 2 is a top plan view thereof;
FIG. 3 is a bottom plan view thereof;
FIG. 4 is a left side elevation view thereof;
FIG. 5 is a right side elevation view thereof;
FIG. 6 is a rear elevation view thereof;
FIG. 7 is a front elevation view thereof.
FIG. 8 is a perspective view of a second embodiment of the cell encapsulation device;
FIG. 9 is a top plan view thereof;
FIG. 10 is a bottom plan view thereof;
FIG. 11 is a left side elevation view thereof;
FIG. 12 is a right side elevation view thereof;
FIG. 13 is a rear elevation view thereof;
FIG. 14 is a front elevation view thereof.
FIG. 15 is a perspective view of a third embodiment of the cell encapsulation device;
FIG. 16 is a top plan view thereof;
FIG. 17 is a bottom plan view thereof;
FIG. 18 is a left side elevation view thereof;
FIG. 19 is a right side elevation view thereof;
FIG. 20 is a rear elevation view thereof; and,
FIG. 21 is a front elevation view thereof.

1 Claim, 9 Drawing Sheets



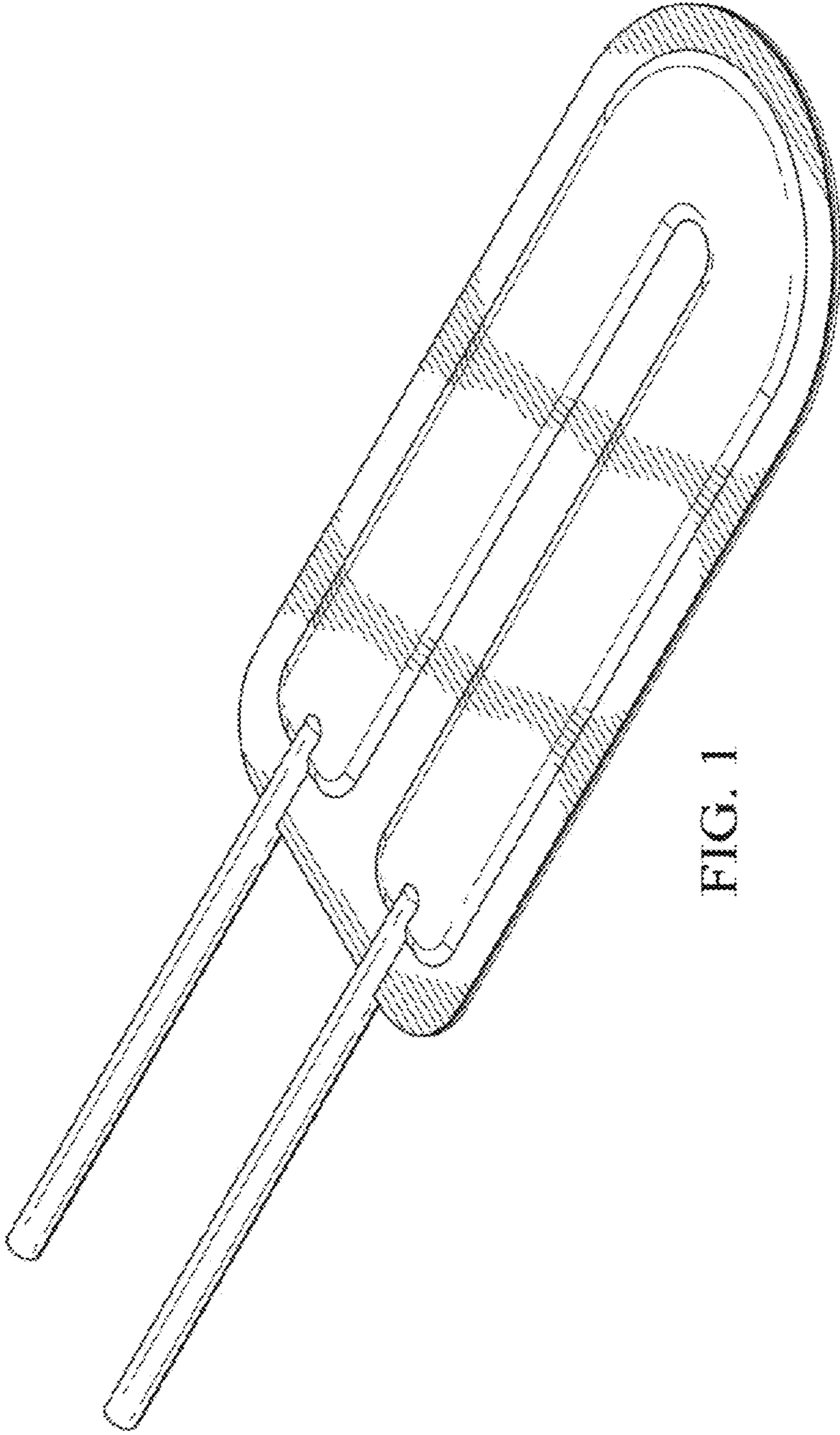


FIG. 1

FIG. 2

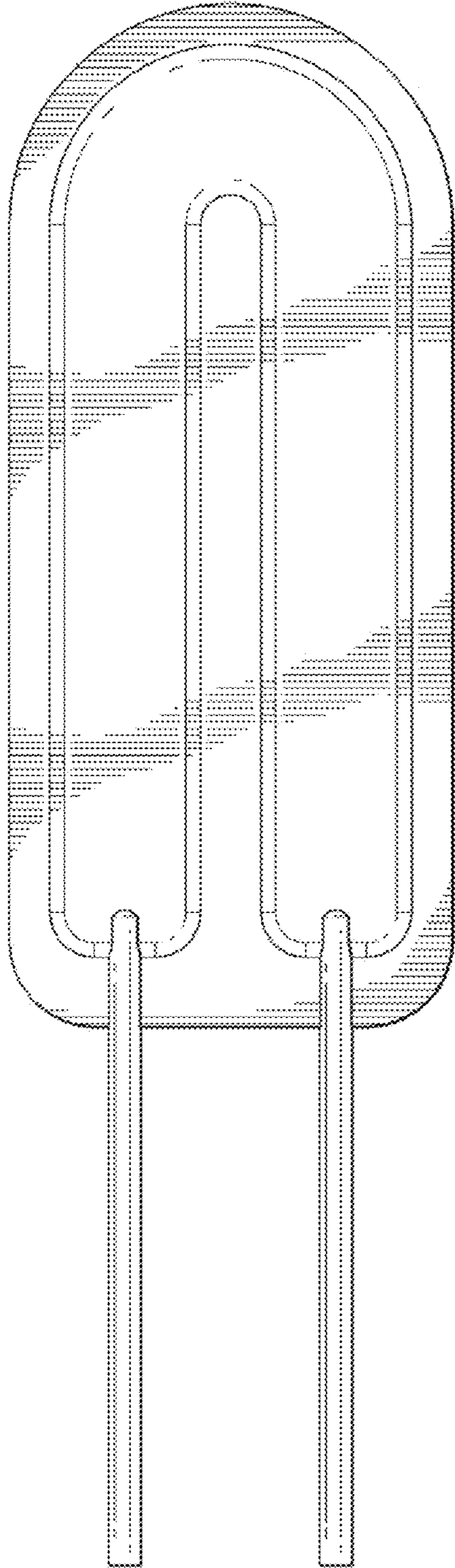


FIG. 3

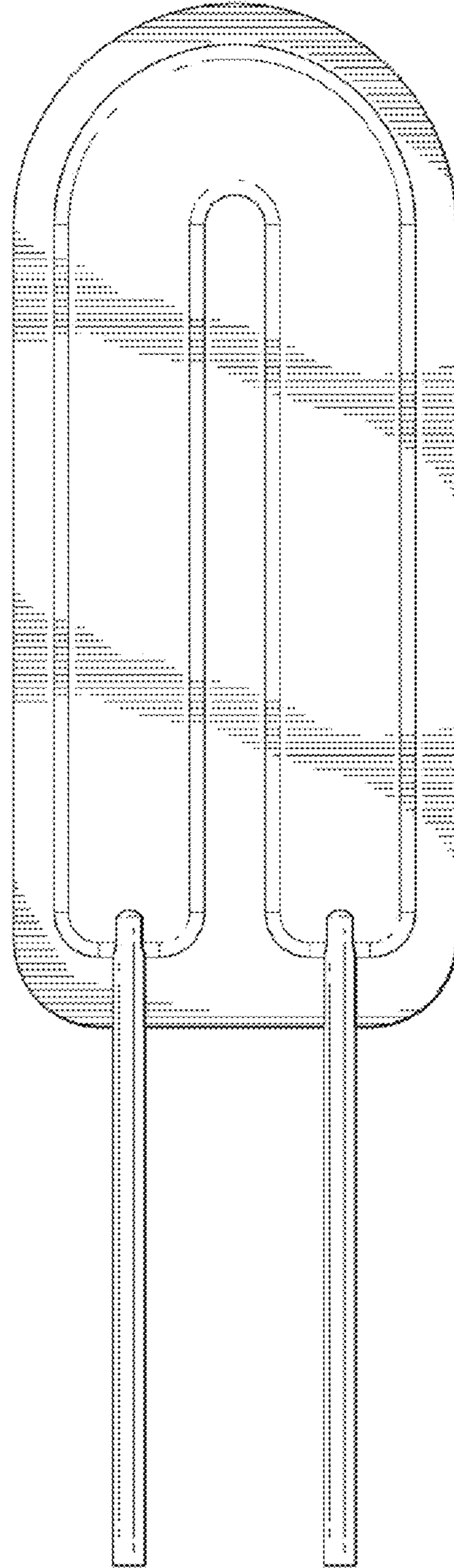


FIG. 4

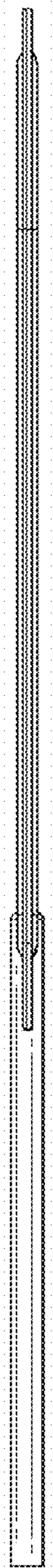


FIG. 5



FIG. 6



FIG. 7



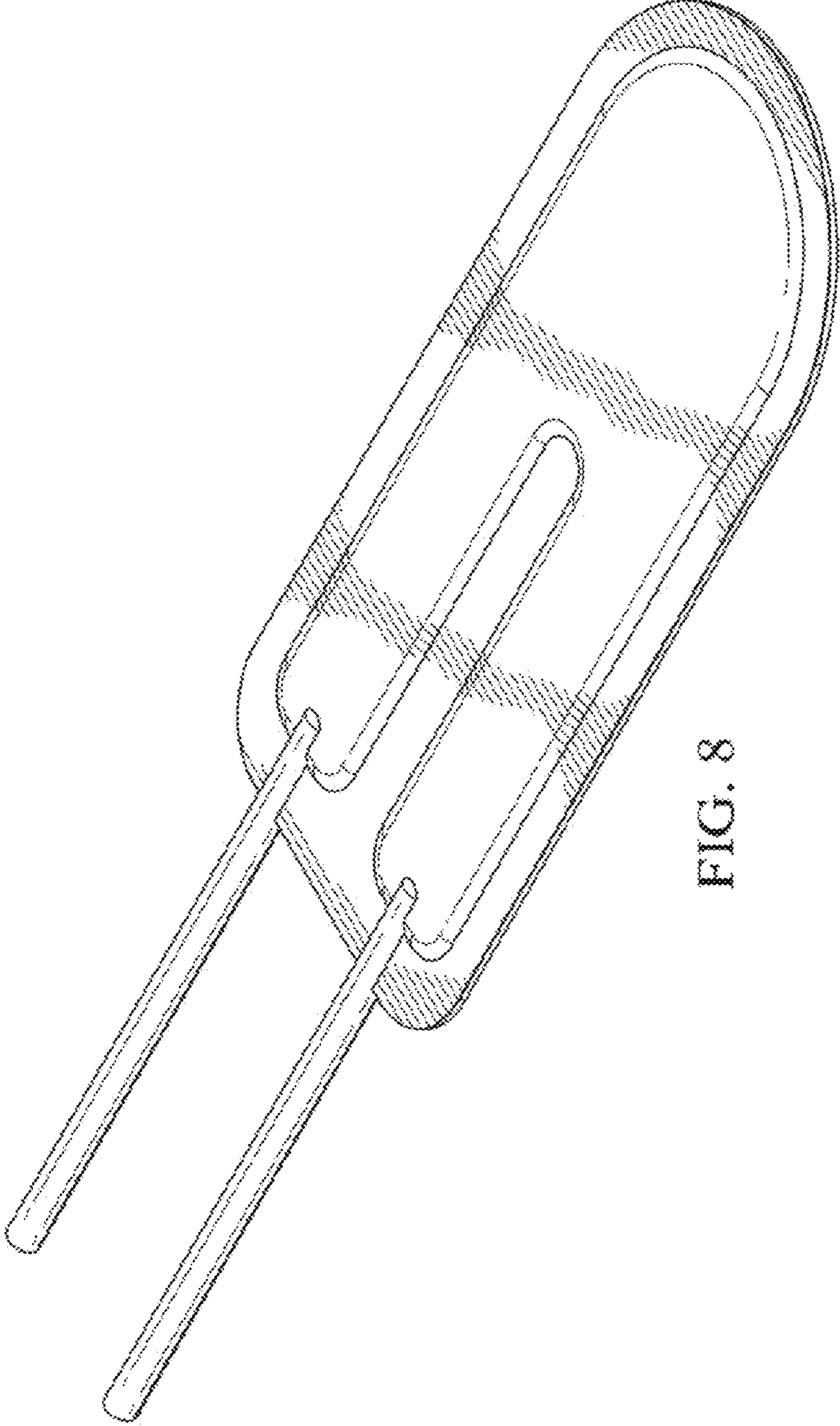


FIG. 8

FIG. 9

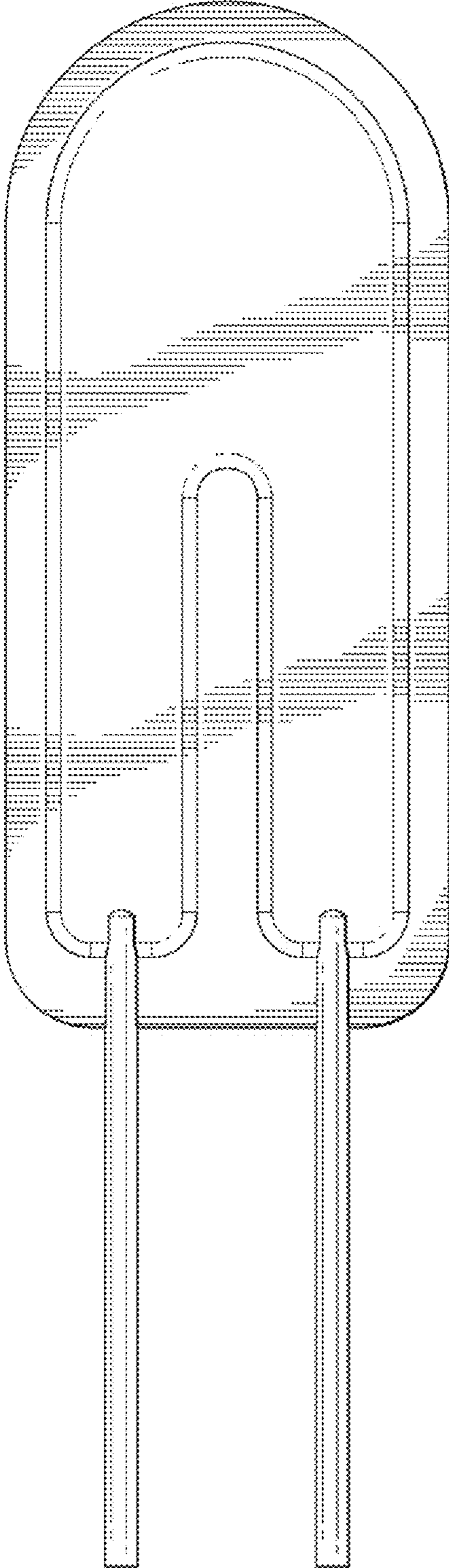


FIG. 10

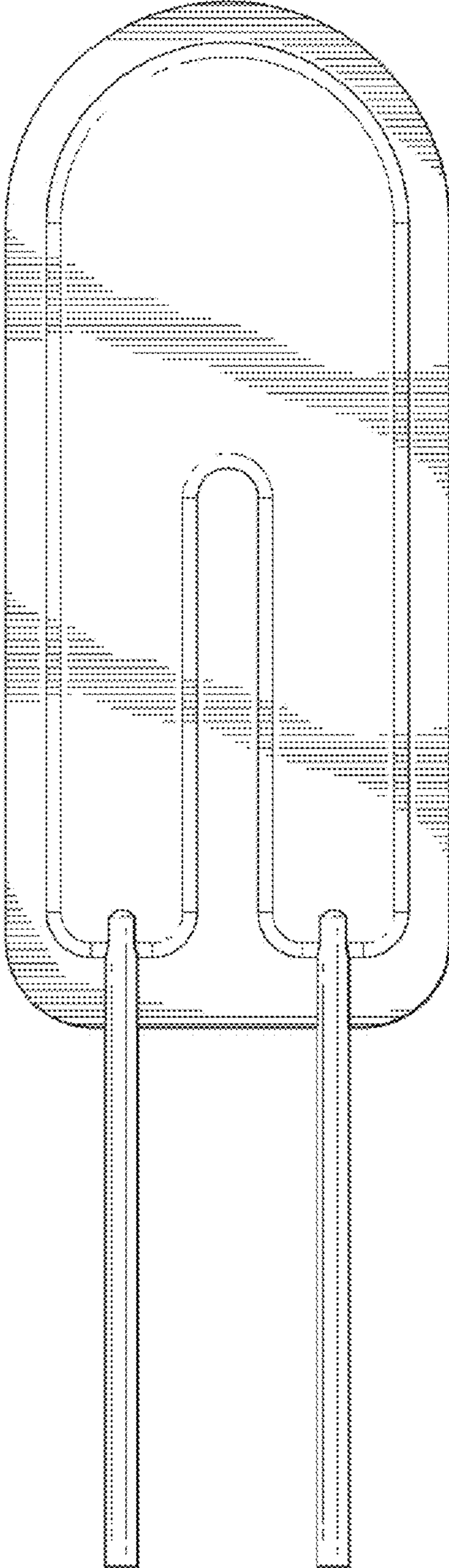


FIG. 11

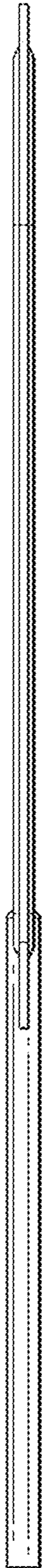


FIG. 12



FIG. 13

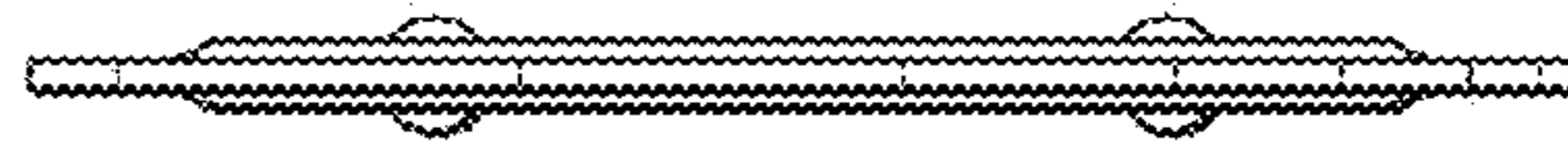
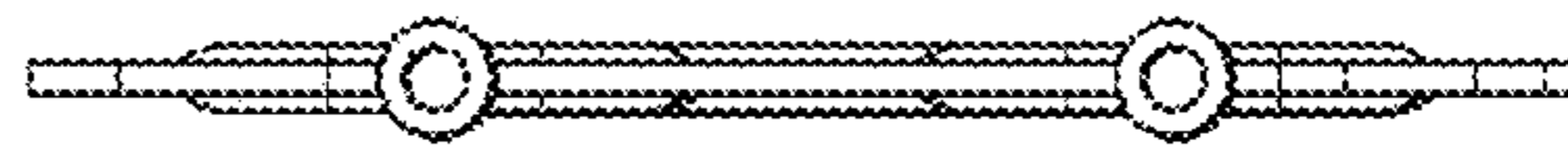


FIG. 14



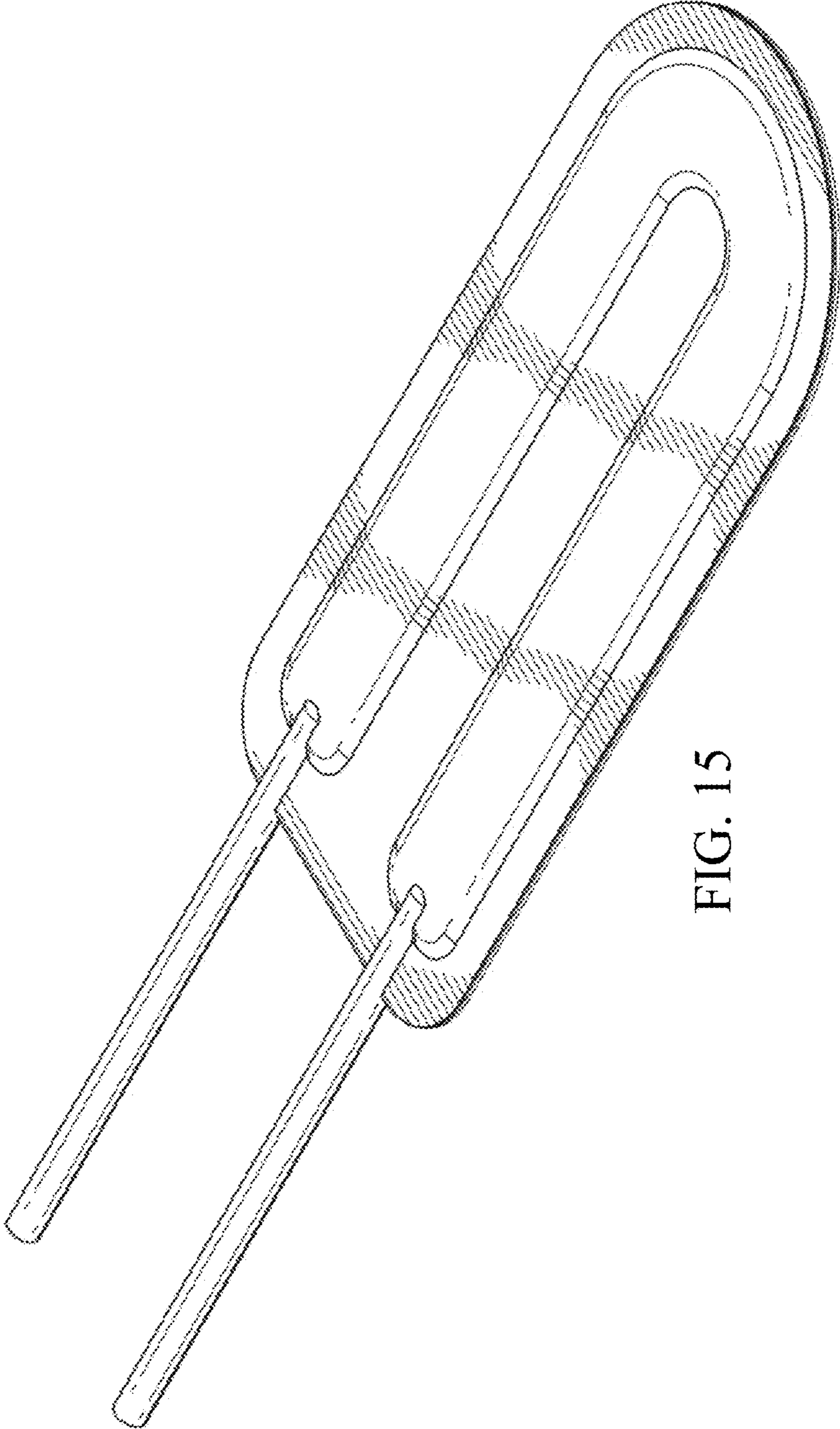


FIG. 15

FIG. 16

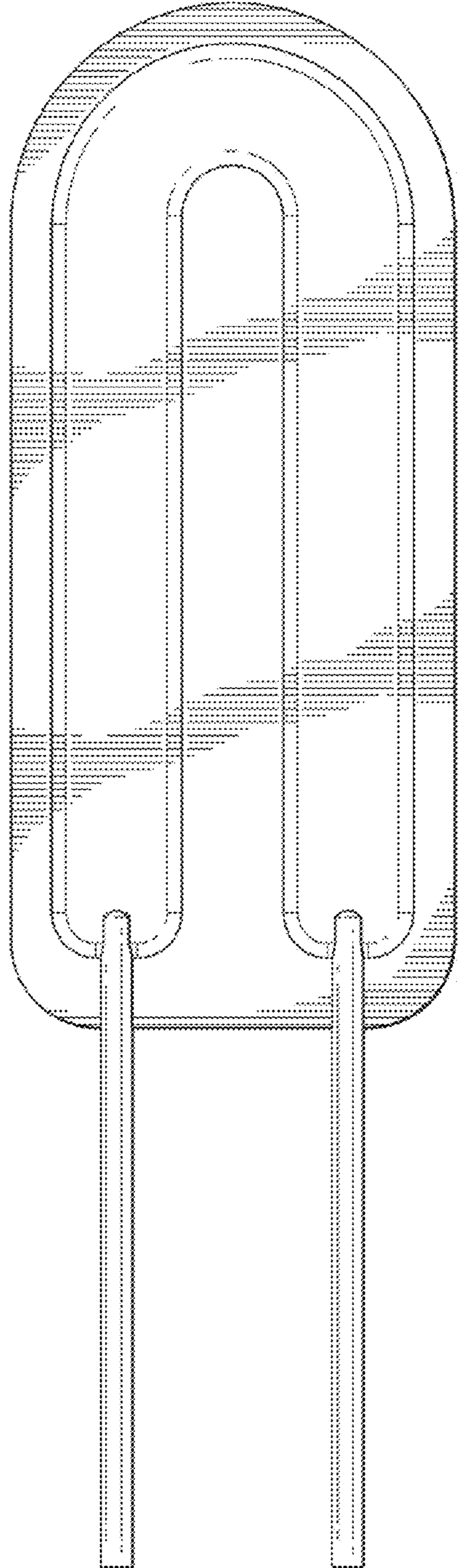


FIG. 17

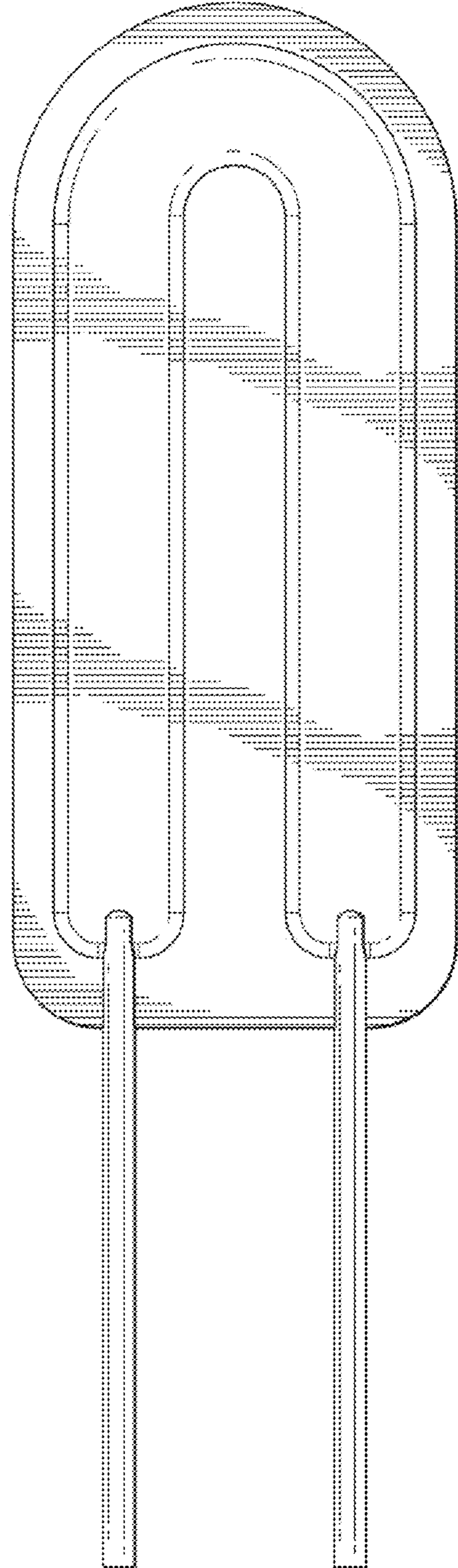


FIG. 18

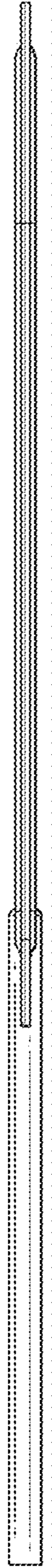


FIG. 19

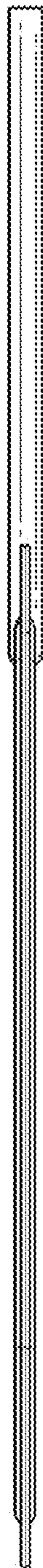


FIG. 20

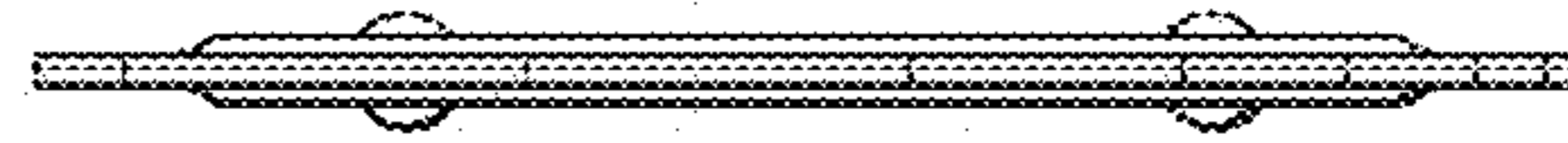


FIG. 21

