

US00D728093S

(12) **United States Design Patent**
Moomjian et al.

(10) **Patent No.:** **US D728,093 S**
(45) **Date of Patent:** **** Apr. 28, 2015**

- (54) **ENTERAL FEEDING DEVICE**
- (71) Applicant: **Xeridiam**, Tucson, AZ (US)
- (72) Inventors: **Rena Moomjian**, Tucson, AZ (US);
Karl Sprague, Tucson, AZ (US);
Michael Cusack, Tucson, AZ (US);
James Nelson, Tucson, AZ (US);
Richard Swanson, Sahuarita, AZ (US);
Lawrence Trujillo, Tucson, AZ (US)
- (73) Assignee: **Xeridiam Medical Devices Inc.**, Tucson, AZ (US)
- (**) Term: **14 Years**
- (21) Appl. No.: **29/445,254**
- (22) Filed: **Feb. 8, 2013**
- (51) **LOC (10) Cl.** **24-01**
- (52) **U.S. Cl.**
USPC **D24/108**
- (58) **Field of Classification Search**
USPC D24/107, 108, 112, 127, 129, 232;
604/151, 174, 516, 523, 533
See application file for complete search history.

- (56) **References Cited**
U.S. PATENT DOCUMENTS

5,374,254	A	12/1994	Buma
6,036,673	A	3/2000	Quinn
6,997,909	B2	2/2006	Goldberg
D561,329	S	2/2008	McMichael et al.
7,914,497	B2	3/2011	Quinn

- 8,142,394 B1 * 3/2012 Rotella et al. 604/100.03
 - 8,172,749 B2 5/2012 Melsheimer
 - 8,177,742 B1 * 5/2012 Bagwell et al. 604/100.01
 - 8,221,389 B2 7/2012 Brenner et al.
 - D679,393 S * 4/2013 Griffith et al. D24/129
 - 2011/0152762 A1 * 6/2011 Hershey et al. 604/99.02
 - 2012/0022451 A1 * 1/2012 Silver 604/151
 - 2013/0165862 A1 * 6/2013 Griffith et al. 604/174
 - 2014/0018777 A1 * 1/2014 Shams 604/533
 - 2014/0336612 A1 * 11/2014 Frydlewski et al. 604/500
- * cited by examiner

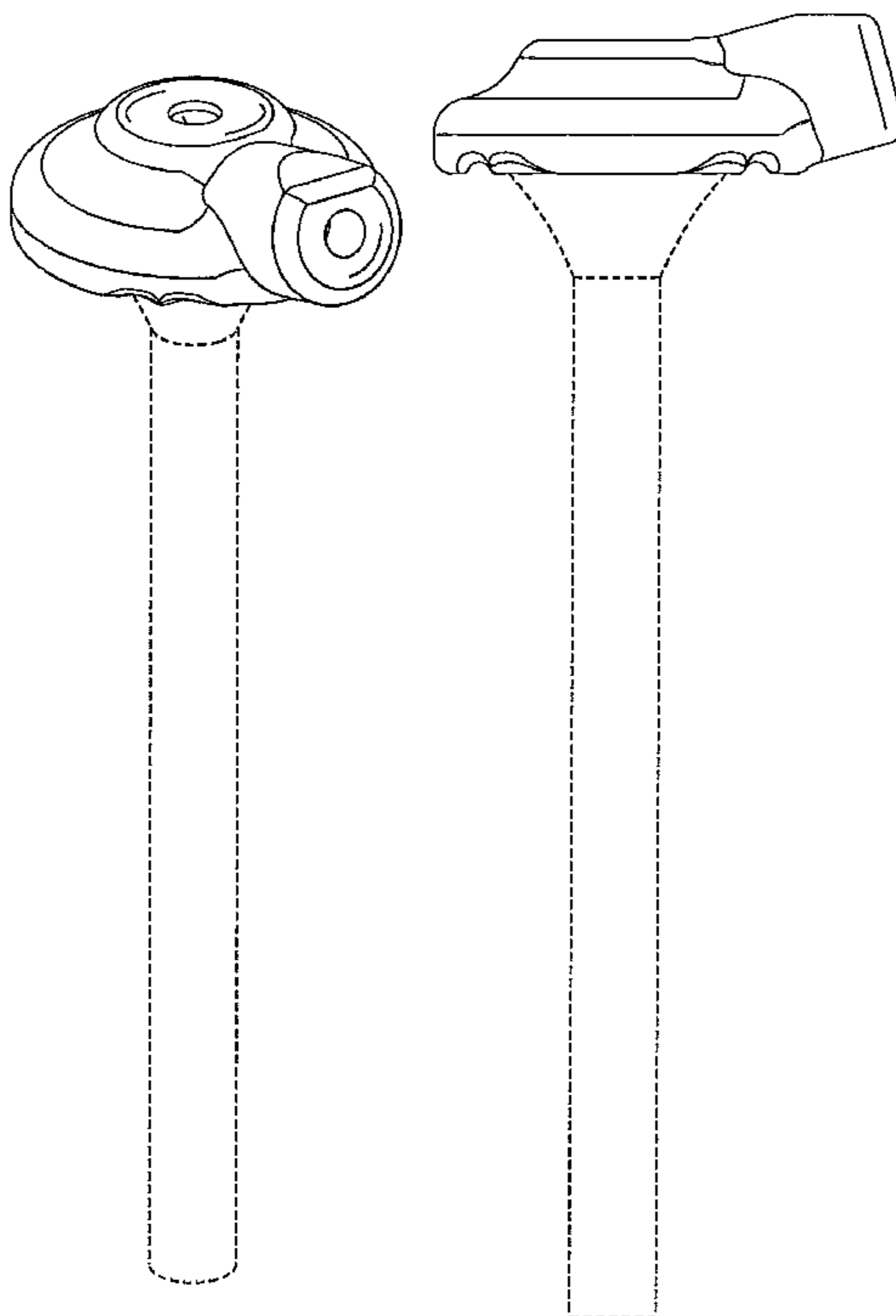
Primary Examiner — Barbara Fox
Assistant Examiner — Lilyana Bekic
 (74) *Attorney, Agent, or Firm* — Shumaker, Loop & Kendrick, LLP

(57) **CLAIM**
 We claim the ornamental design for an enteral feeding device, as shown and described.

DESCRIPTION

FIG. 1 is an isometric view of an enteral feeding device showing my new design;
 FIG. 2 is another isometric view of the enteral feeding device of FIG. 1;
 FIG. 3 is a front view thereof;
 FIG. 4 is a rear view thereof;
 FIG. 5 is a side view thereof;
 FIG. 6 is another side view of the enteral feeding device;
 FIG. 7 is a top view of the enteral feeding device; and,
 FIG. 8 is a bottom view thereof.
 The broken lines in the Figures are for the purposes of showing environment only and form no part of the claimed design.

1 Claim, 4 Drawing Sheets



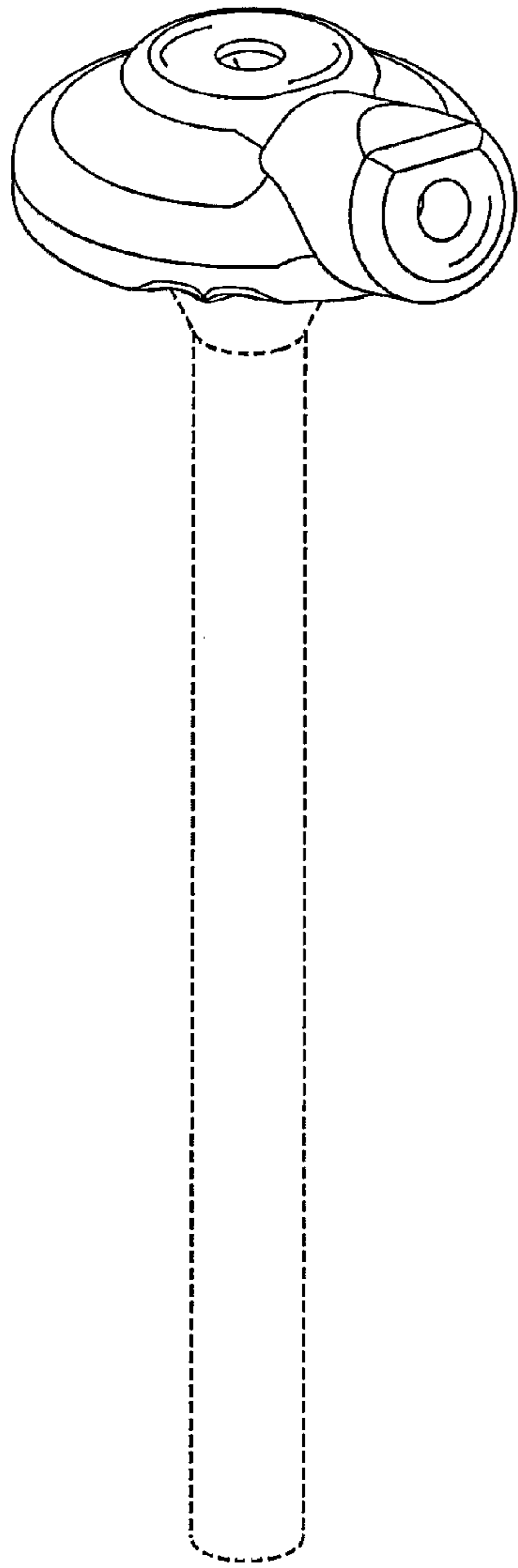


Fig. 1

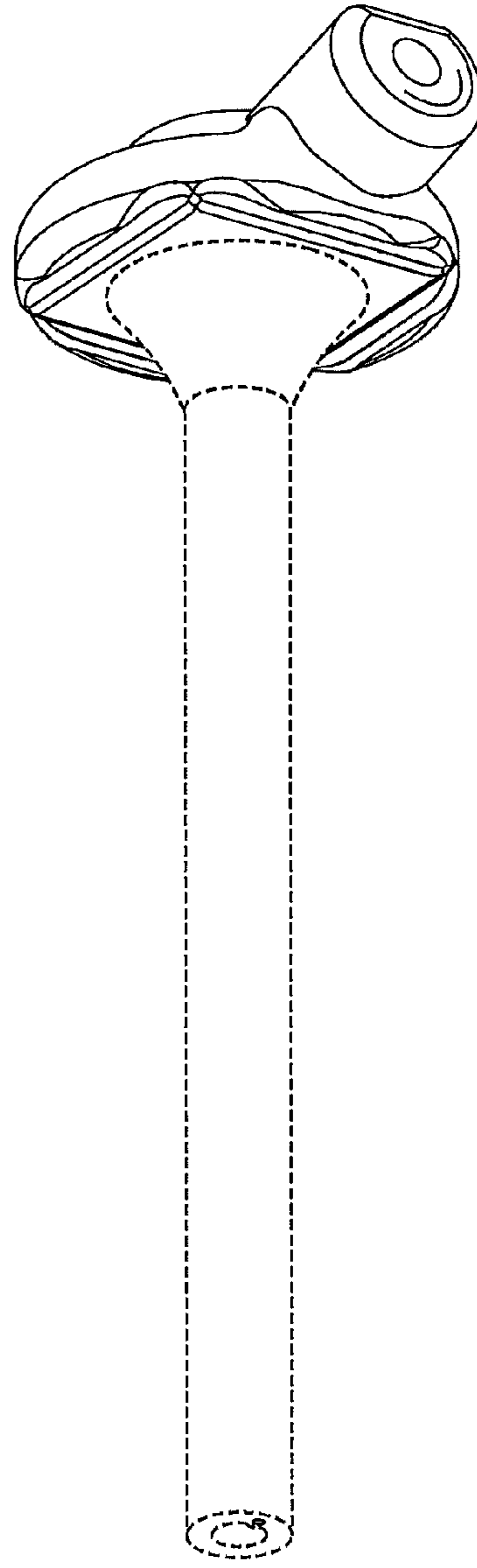


Fig. 2

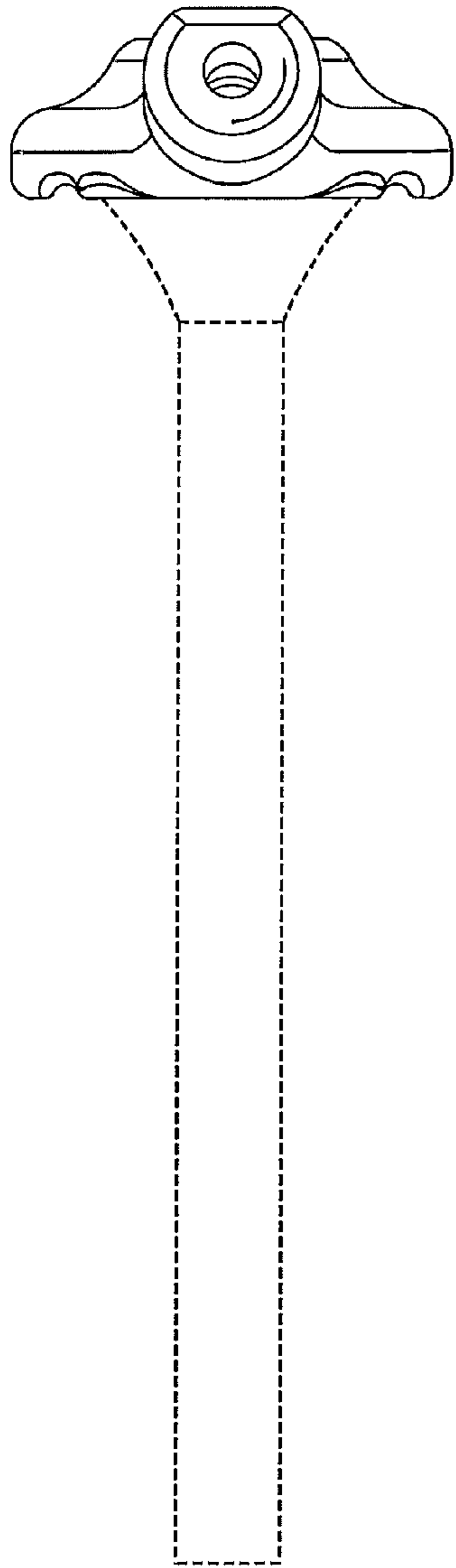


Fig. 3

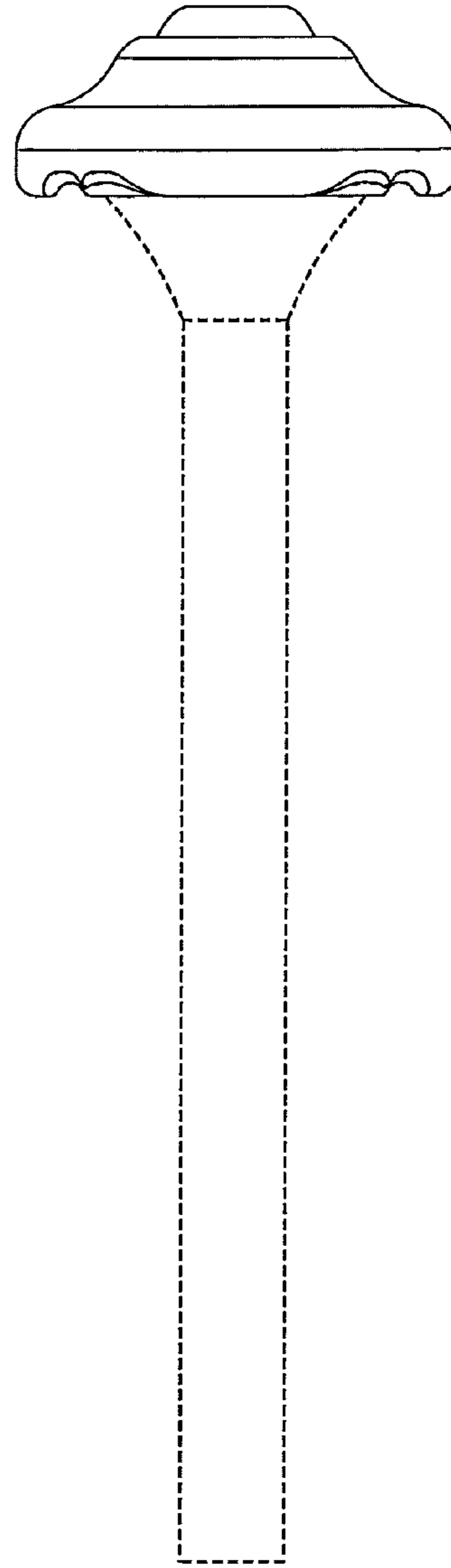


Fig. 4

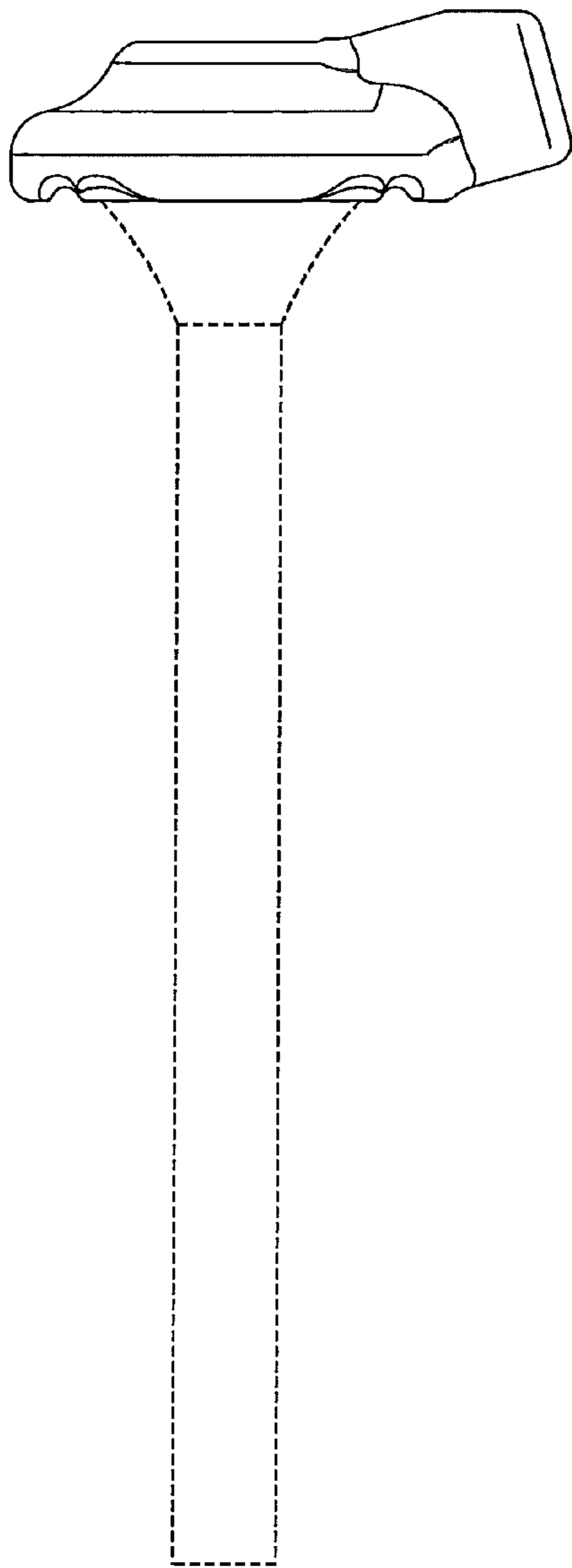


Fig. 5

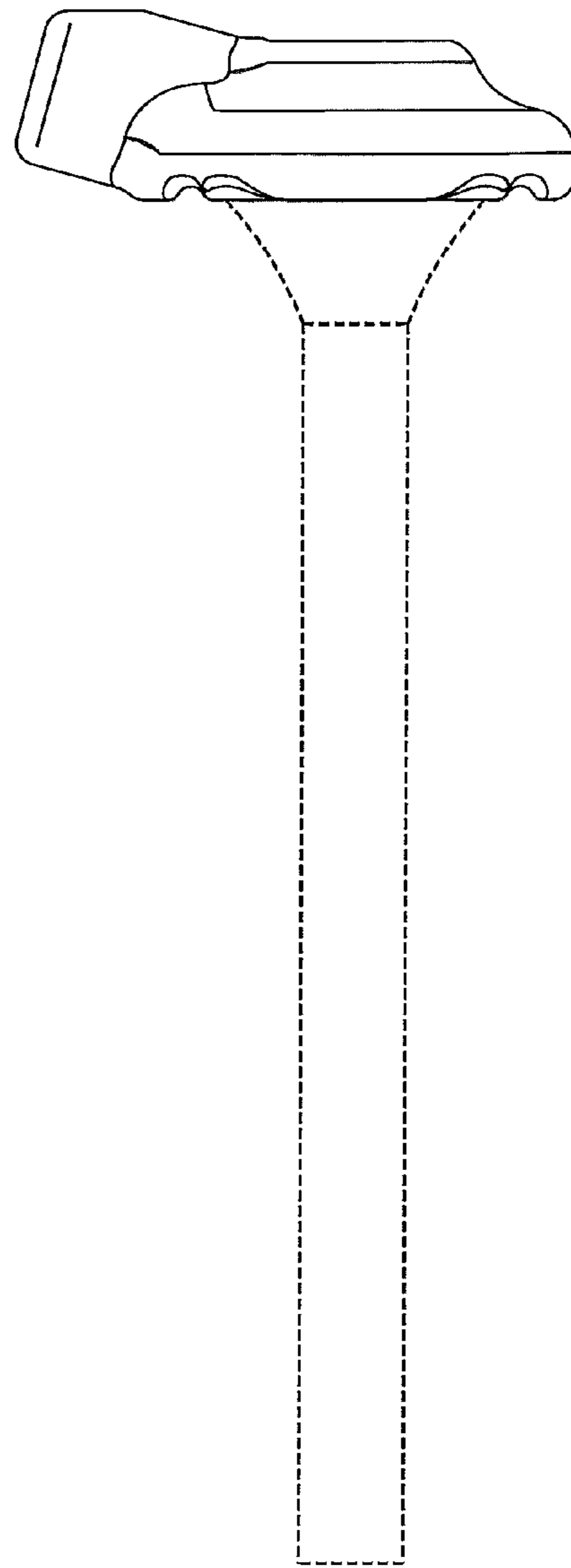


Fig. 6

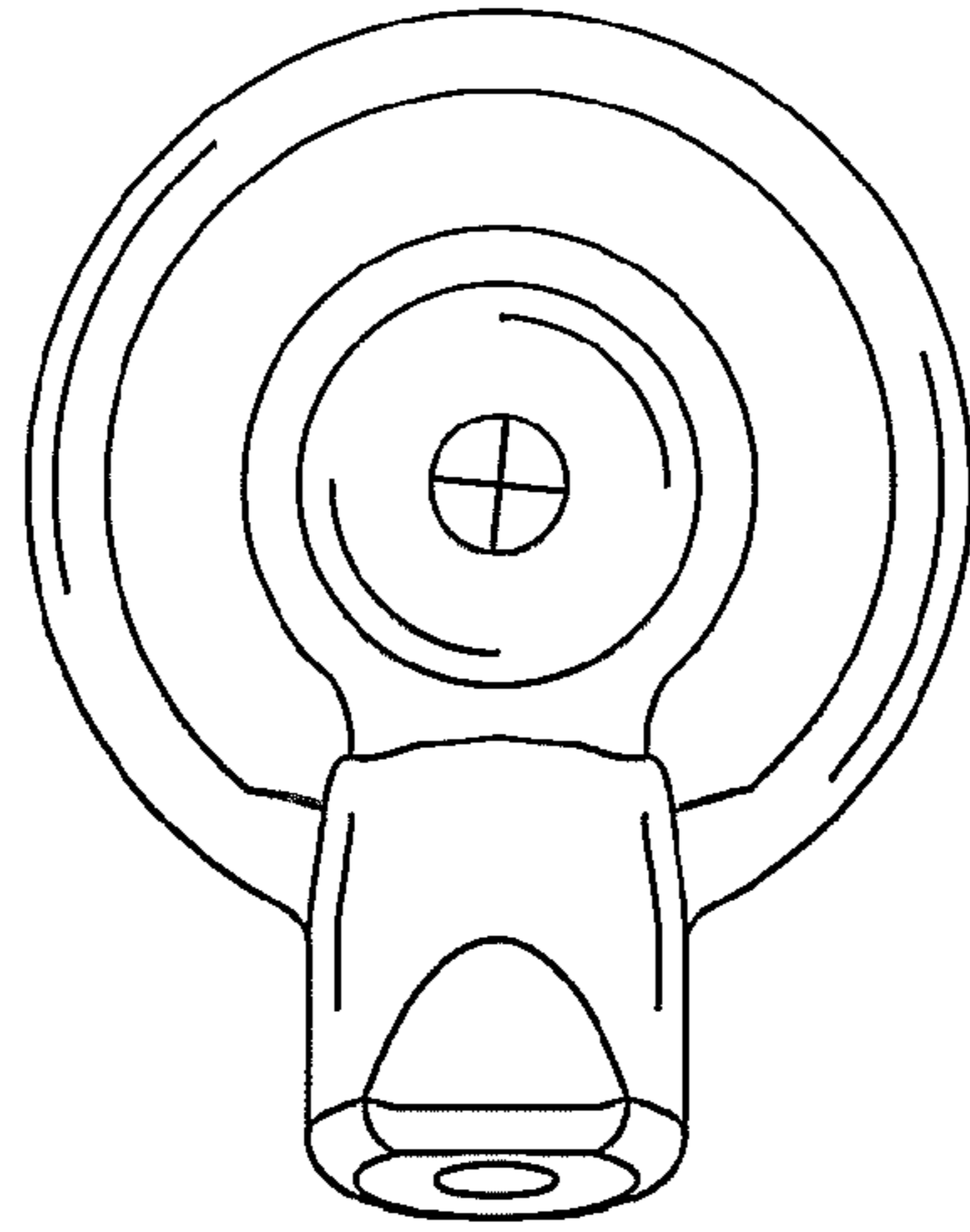


Fig. 7

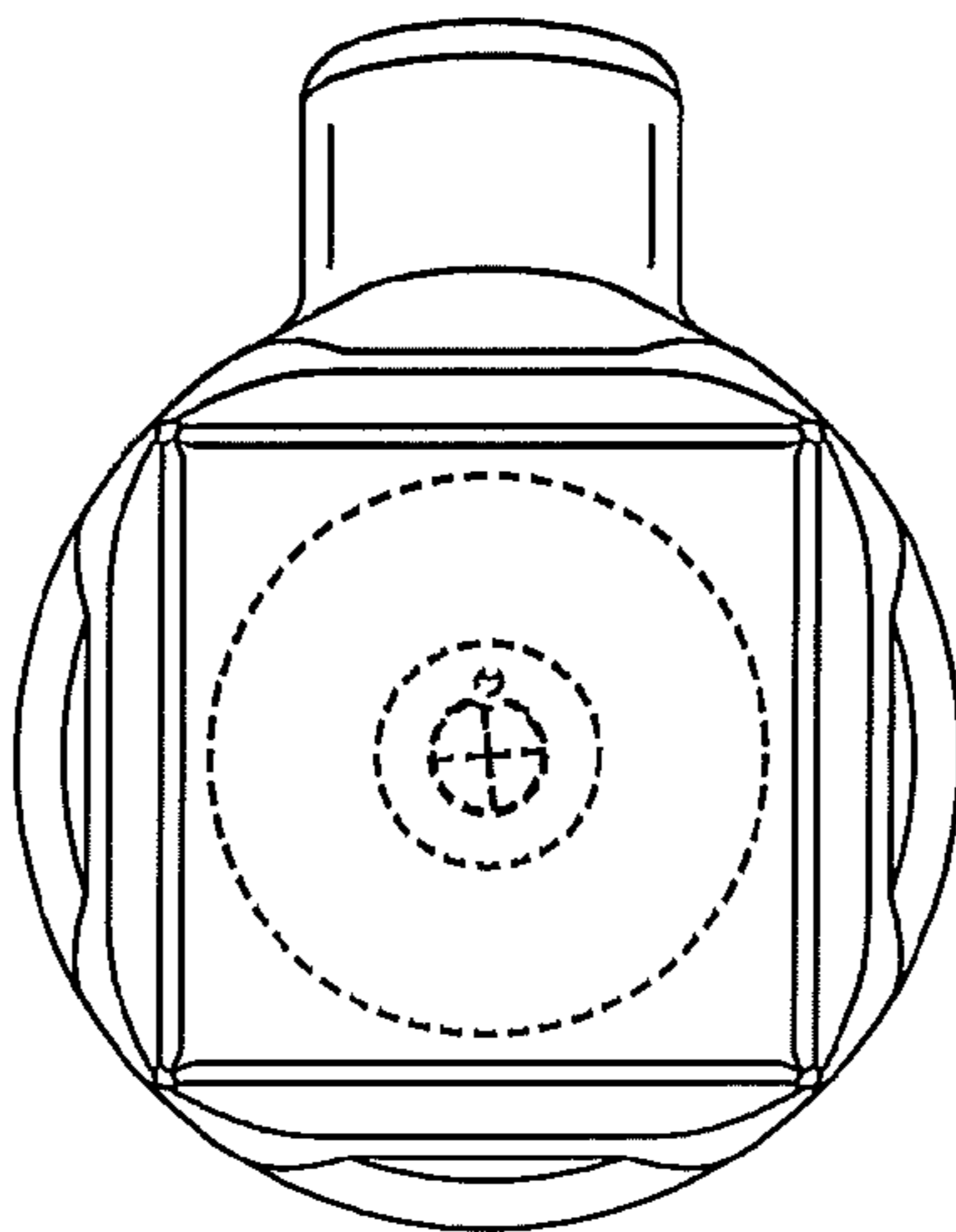


Fig. 8