



US00D728091S

(12) **United States Design Patent**  
**Bisla**

(10) **Patent No.:** **US D728,091 S**  
(45) **Date of Patent:** **\*\* Apr. 28, 2015**

- (54) **NOVELTY FAN**
- (71) Applicant: **Jagdip S. Bisla**, Fresno, CA (US)
- (72) Inventor: **Jagdip S. Bisla**, Fresno, CA (US)
- (73) Assignee: **Jagdip S. Bisla**, Fresno, CA (US)
- (\*\*) Term: **14 Years**
- (21) Appl. No.: **29/466,705**
- (22) Filed: **Sep. 10, 2013**

- D382,953 S \* 8/1997 Kuo ..... D23/377
- 5,953,761 A \* 9/1999 Jurga et al. .... 2/425
- D456,885 S \* 5/2002 Schmitt ..... D23/328
- D470,788 S \* 2/2003 Friess ..... D10/118
- D488,883 S \* 4/2004 Davis ..... D26/94
- 6,934,972 B2 \* 8/2005 Desjardins et al. .... 2/425
- D575,432 S \* 8/2008 Nunes ..... D26/73
- D575,433 S \* 8/2008 Nunes ..... D26/73
- D575,434 S \* 8/2008 Nunes ..... D26/73
- D575,436 S \* 8/2008 Nunes ..... D26/73
- D644,381 S \* 8/2011 Sween ..... D29/102
- D661,535 S \* 6/2012 Hughes et al. .... D7/301
- 8,296,868 B2 \* 10/2012 Belanger et al. .... 2/420
- D690,804 S \* 10/2013 Bisla et al. .... D23/370
- D699,830 S \* 2/2014 Bisla et al. .... D23/370

**Related U.S. Application Data**

- (63) Continuation-in-part of application No. 29/416,823, filed on Mar. 27, 2012, now Pat. No. Des. 690,804.
- (51) **LOC (10) Cl.** ..... **23-04**
- (52) **U.S. Cl.**  
USPC ..... **D23/370**; D23/381
- (58) **Field of Classification Search**  
USPC ..... D23/314, 324, 328, 332, 335, 336, 342, D23/355, 370, 381, 382, 386, 411, 412, 413, D23/414, 377, 378, 379; D26/32, 57, 59, D26/73, 94, 125, 145, 146, 147, 156; D29/102, 103; D10/118; 415/90, 415/121.2, 181, 182.1, 208.2, 209.2, 211.2; 416/110, 206, 240, 244 R, 246, 247 R; 2/418, 420, 425; D7/301  
See application file for complete search history.

\* cited by examiner

*Primary Examiner* — Martie K Holtje

(74) *Attorney, Agent, or Firm* — LPK Global Law, LLP

(57) **CLAIM**

The ornamental design for a novelty fan, as shown and described.

**DESCRIPTION**

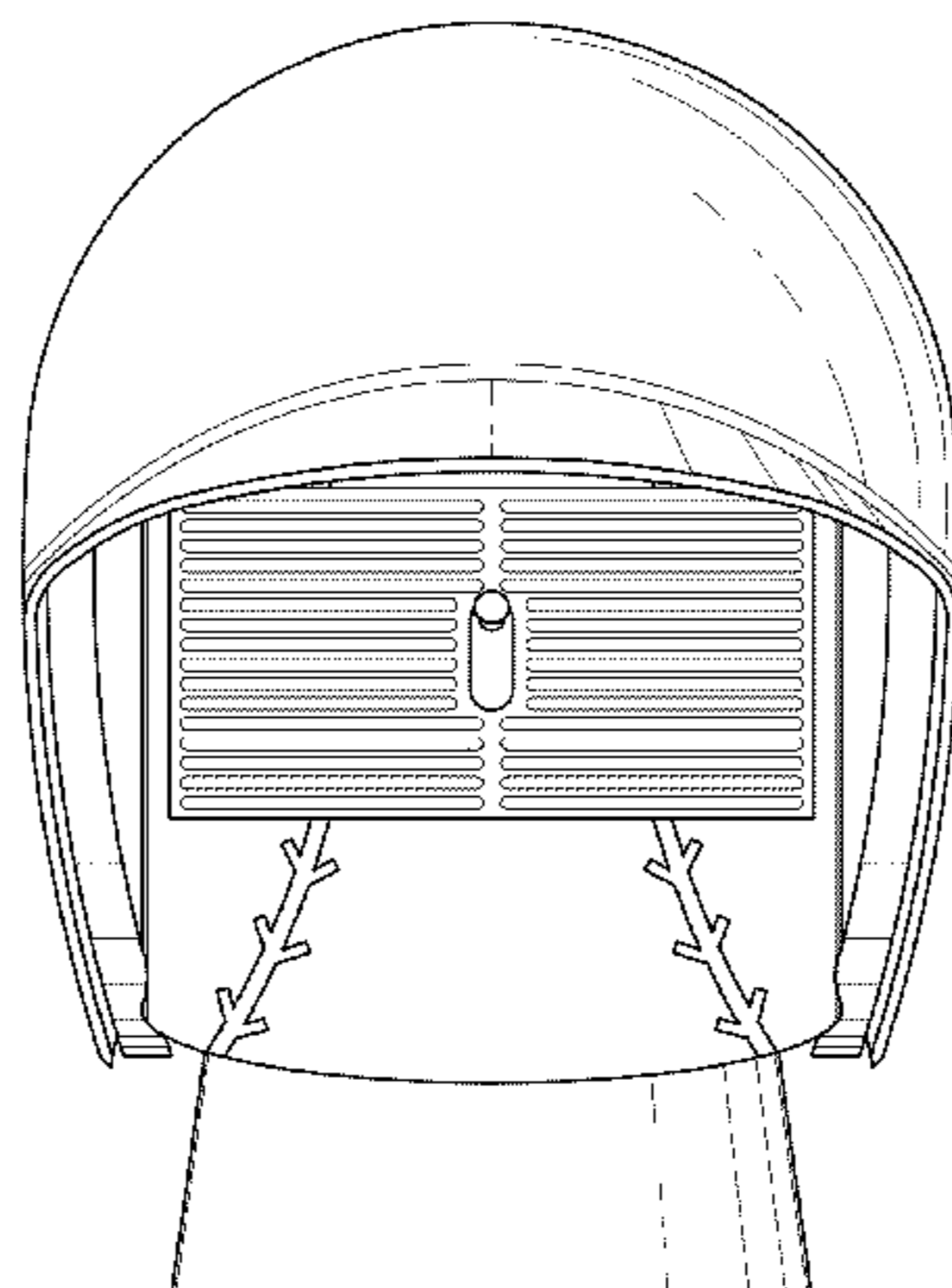
FIG. 1 is a top perspective view of a novelty fan showing my new design;  
 FIG. 2 is a front view of the novelty fan of FIG. 1;  
 FIG. 3 is a rear view of the novelty fan of FIG. 1;  
 FIG. 4 is a left side view of the novelty fan taken from FIG. 1;  
 FIG. 5 is a right side view of the novelty fan taken from FIG. 1;  
 FIG. 6 is a top plan view of the novelty fan taken from FIG. 1;  
 and,  
 FIG. 7 is bottom plan view of the novelty fan taken from FIG. 1.  
 The broken lines in FIGS. 1, 4, and 5 have been shown for the purpose of illustrating elements of the novelty fan that form no part of the claimed design.  
 The broken lines in FIG. 7 represent boundaries, the area within which forms no part of the claimed design.

(56) **References Cited**

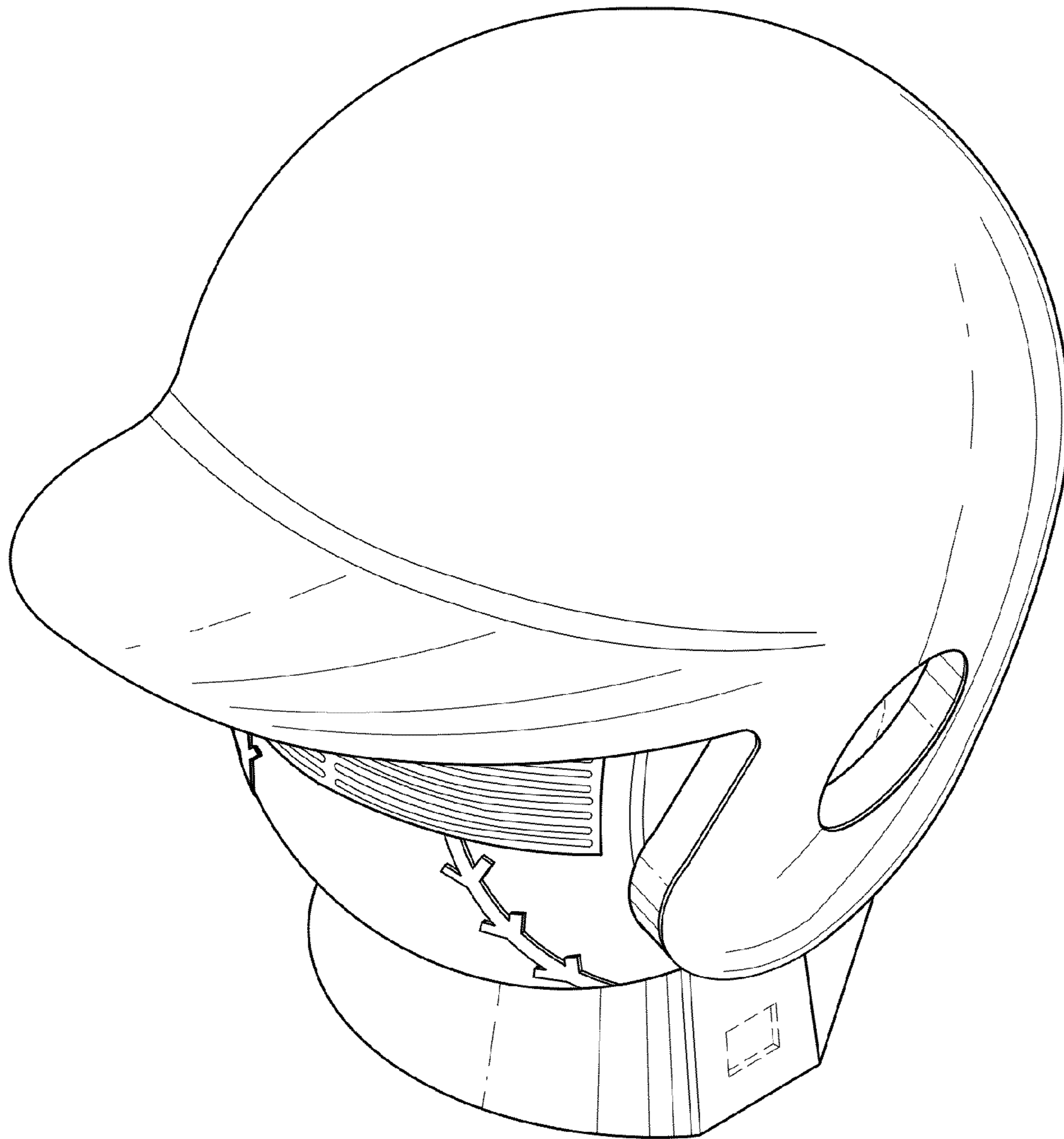
**U.S. PATENT DOCUMENTS**

- D149,284 S \* 4/1948 Lippincott ..... D23/336
- D181,416 S \* 11/1957 Hewitt ..... D23/370
- D241,163 S \* 8/1976 Zivica ..... D14/189
- D320,476 S \* 10/1991 Mele ..... D29/103
- 5,142,705 A \* 9/1992 Edwards ..... 2/418
- D373,185 S \* 8/1996 Tseng ..... D23/377
- D376,641 S \* 12/1996 Bucher ..... D23/377
- D379,222 S \* 5/1997 Kuo ..... D23/411

**1 Claim, 6 Drawing Sheets**



*FIG. 1*



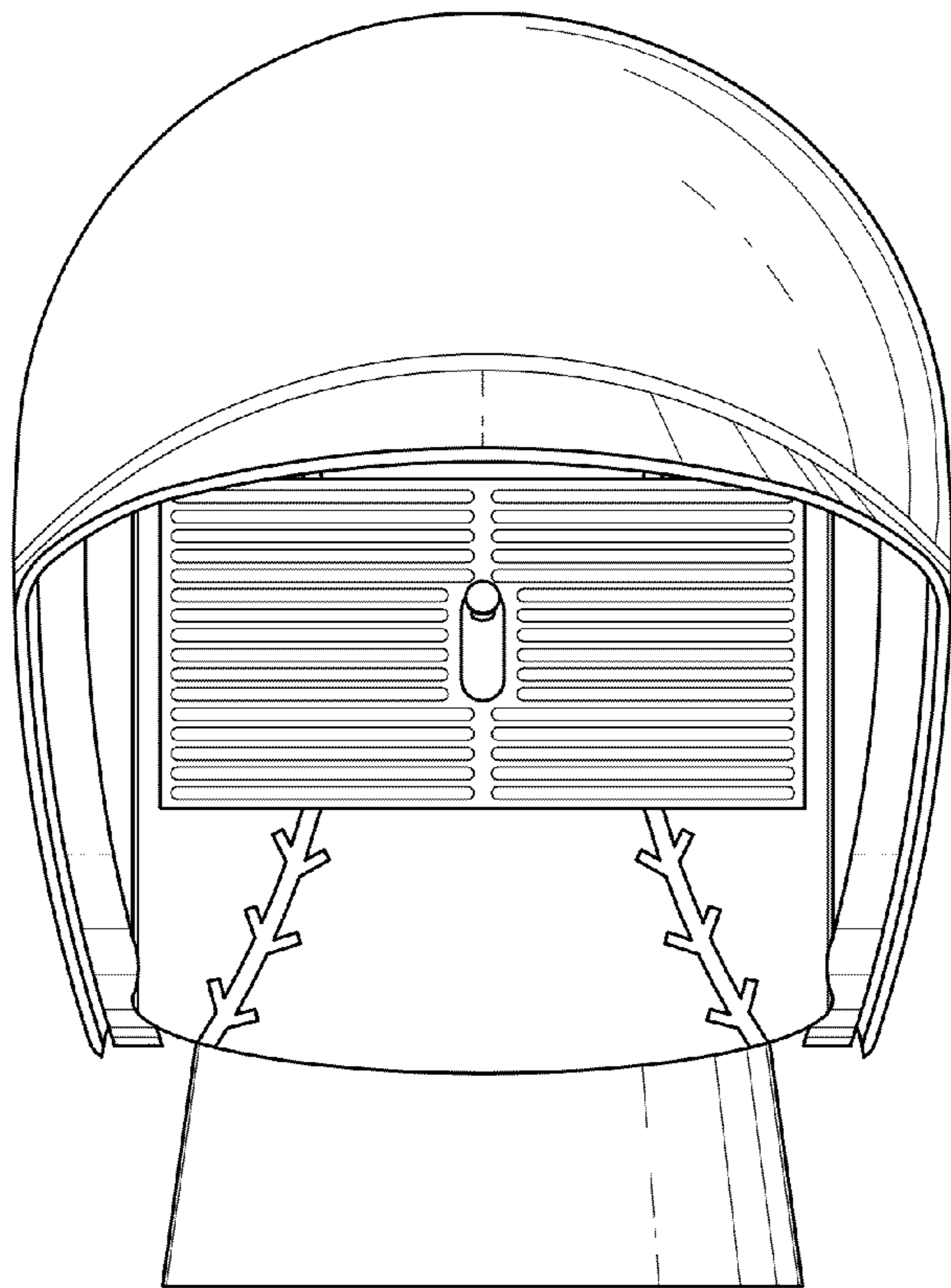


FIG. 2

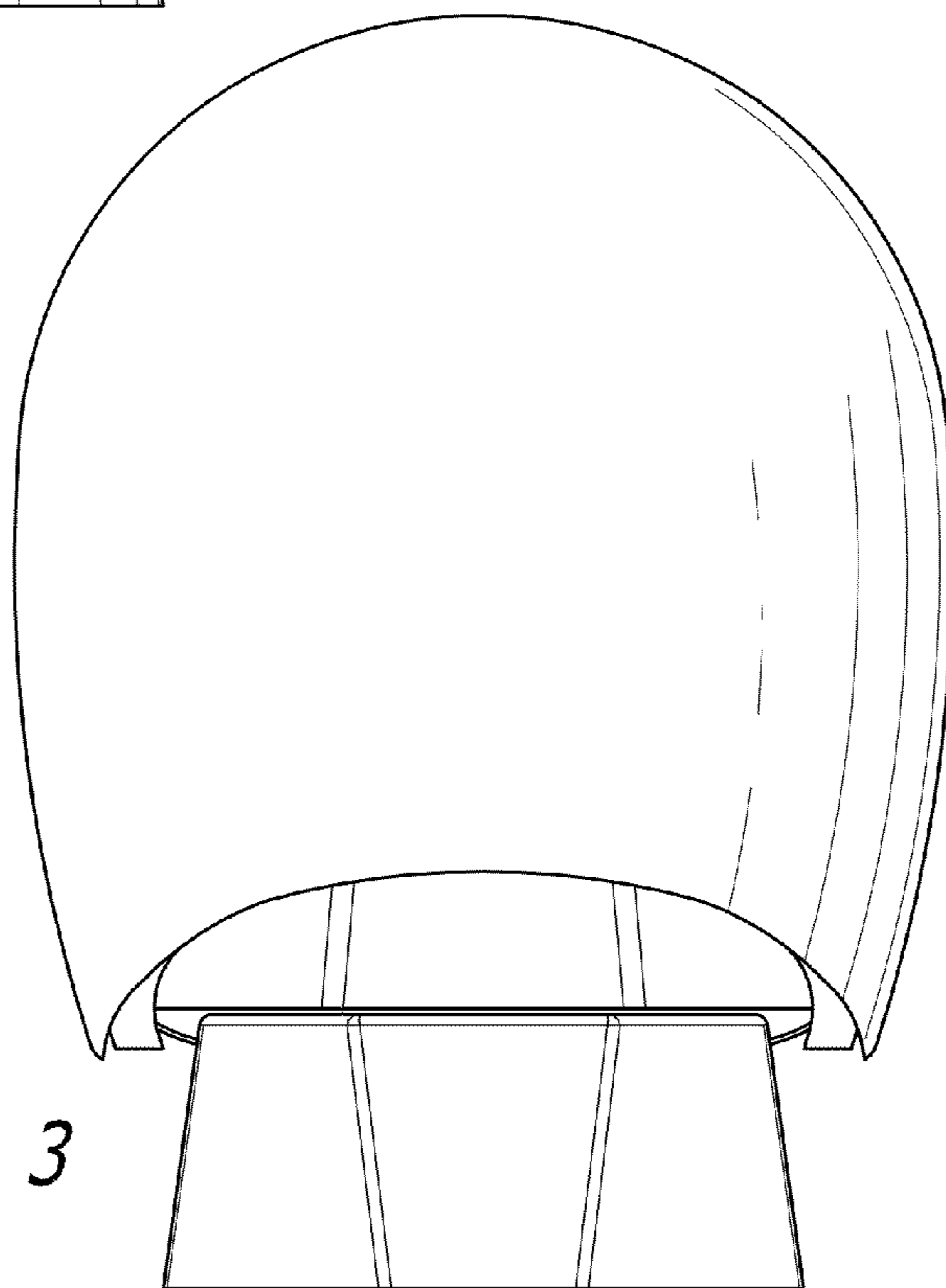


FIG. 3

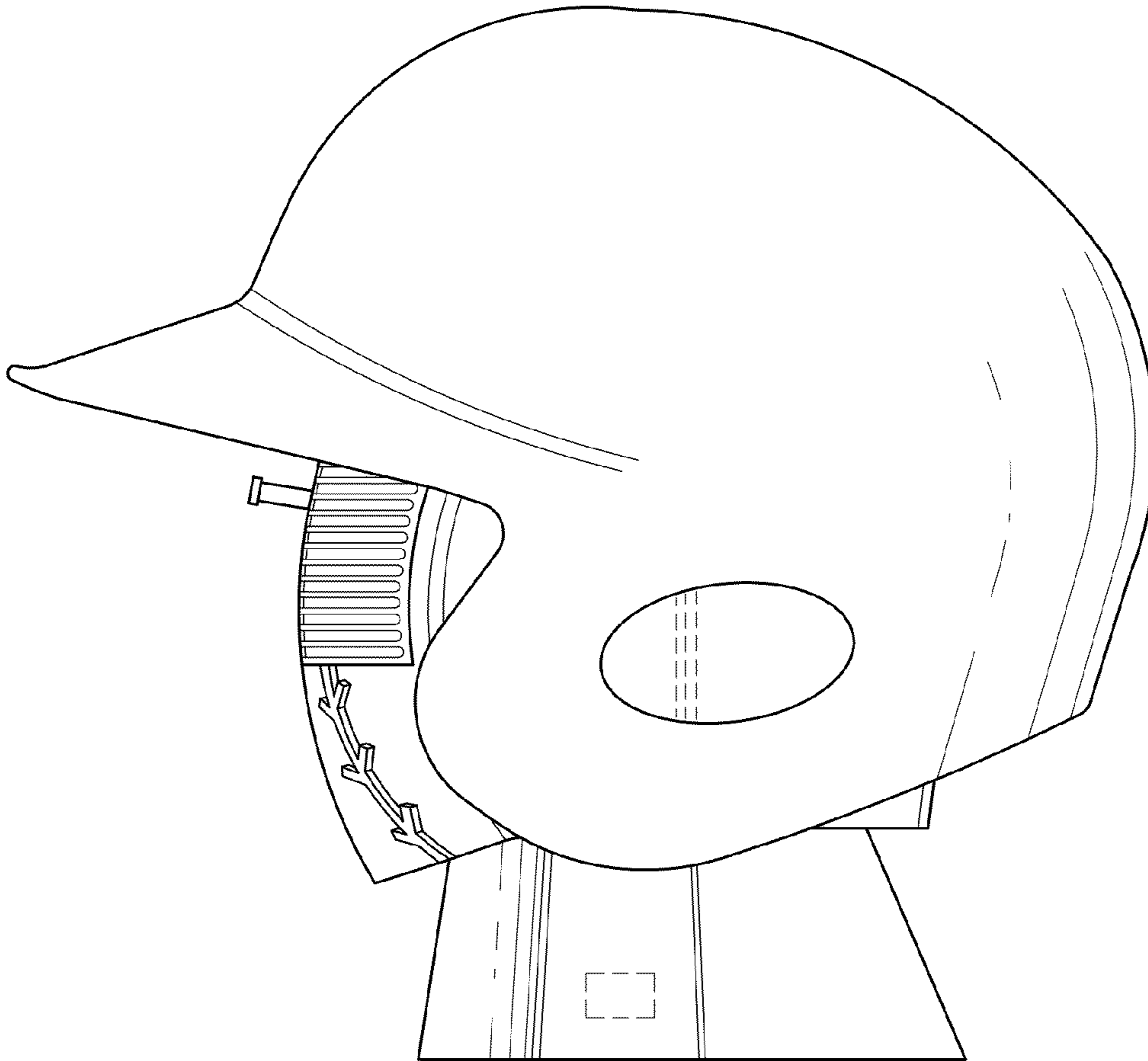
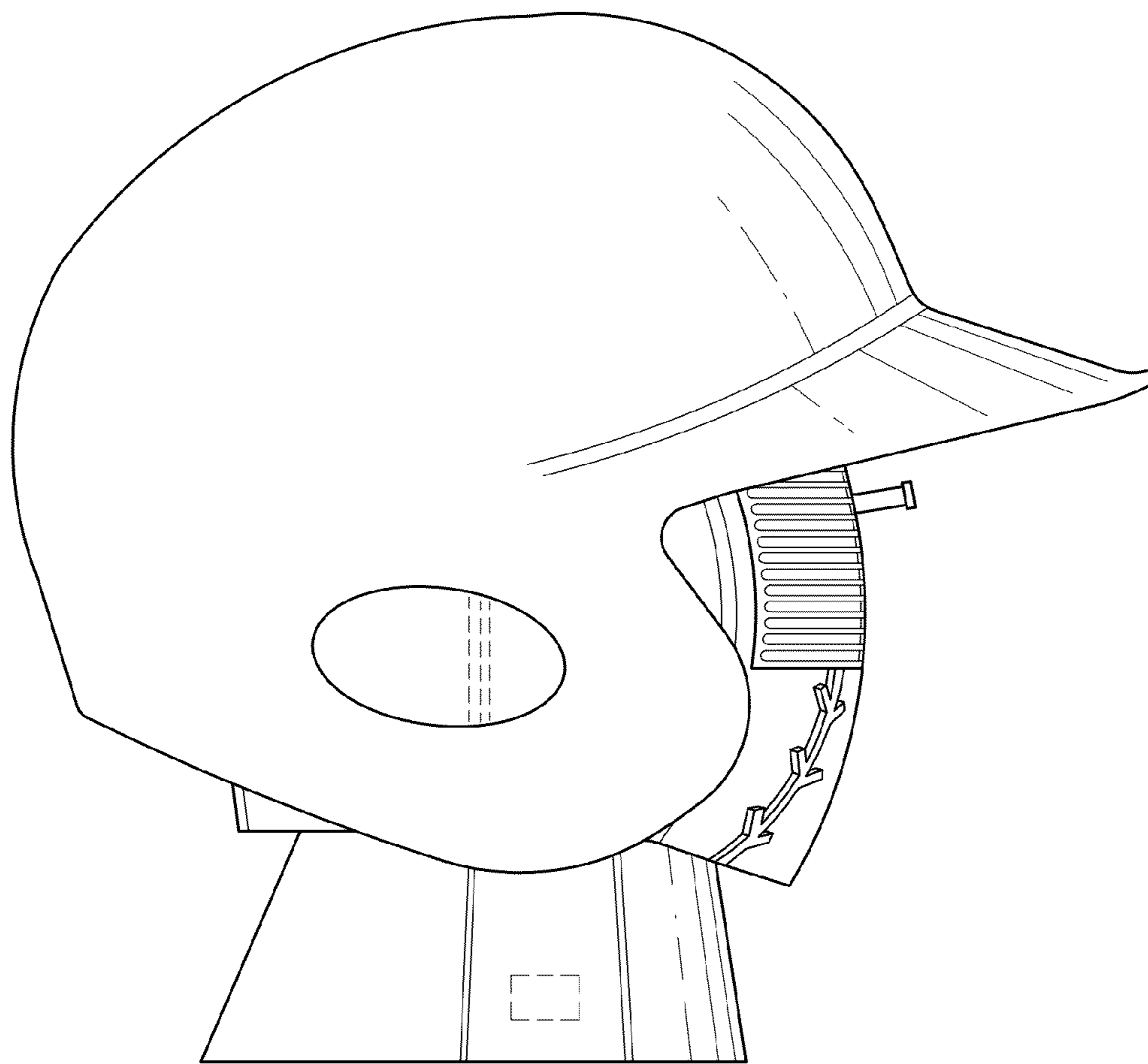
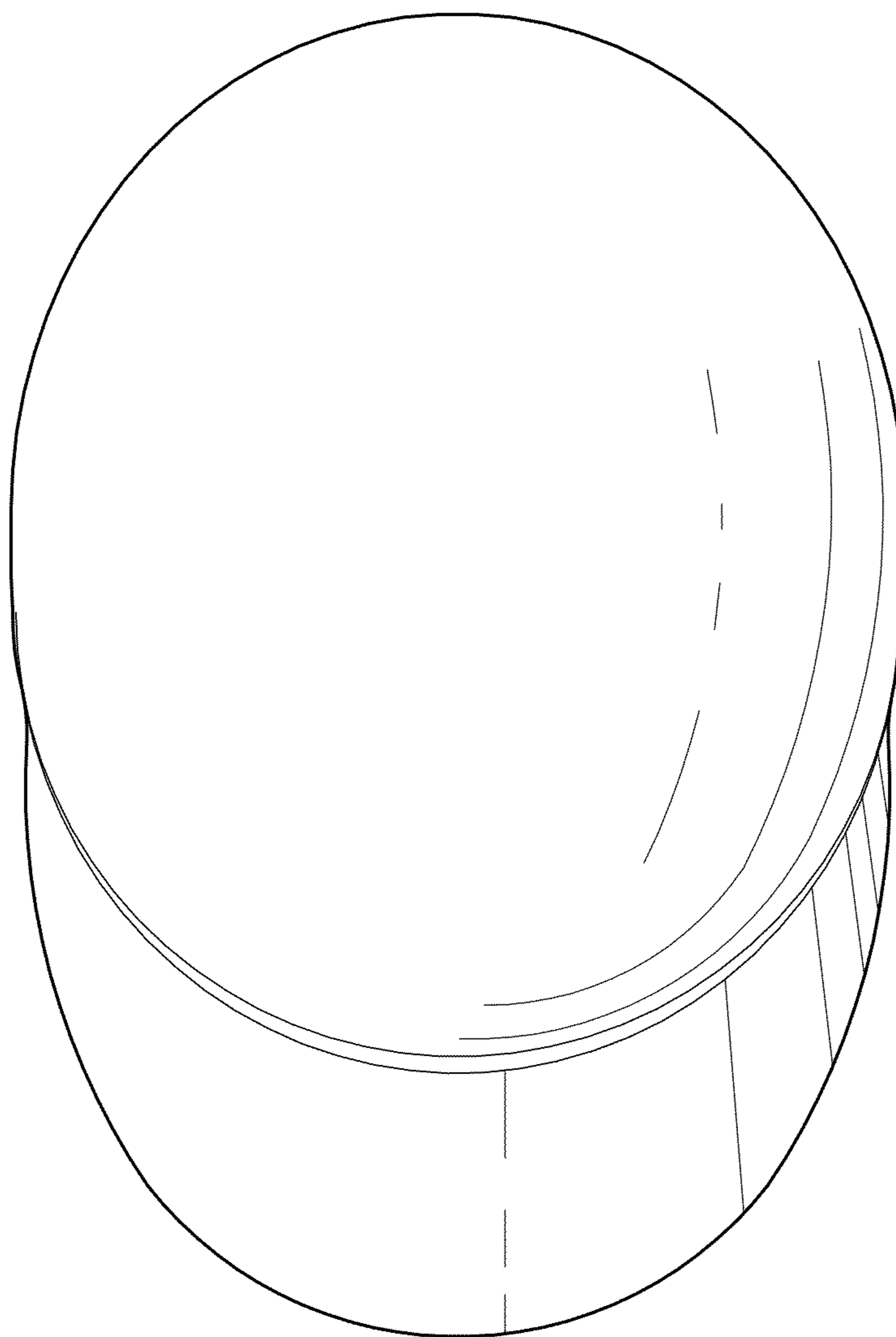


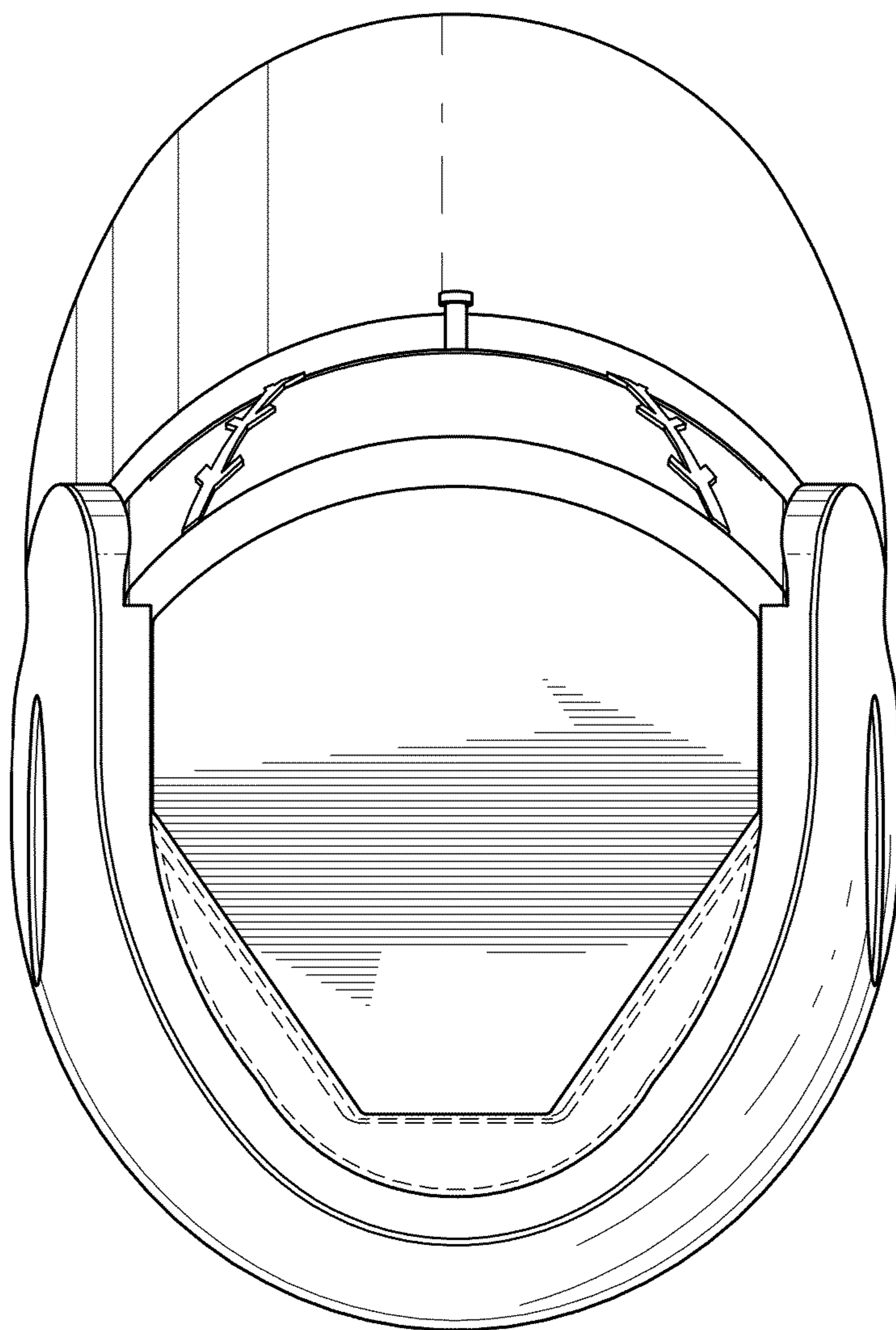
FIG. 4



*FIG. 5*



*FIG. 6*



*FIG. 7*