



US00D728090S

(12) **United States Design Patent**
Haaf et al.

(10) **Patent No.:** **US D728,090 S**

(45) **Date of Patent:** **** Apr. 28, 2015**

(54) **ELECTRIC FAN**

(56) **References Cited**

(71) Applicant: **ebm-papst Mulfingen GmbH & Co. KG**, Mulfingen (DE)

U.S. PATENT DOCUMENTS

(72) Inventors: **Oliver Haaf**, Kupferzell (DE); **Matthias Maschke**, Kupferzell (DE); **Dieter Best**, Ingelfingen (DE); **Thomas Sauer**, Bad Mergentheim (DE); **Sebastian Bundschuh**, Grünsfeld-Paimar (DE); **Sven Beck**, Krautheim (DE); **Markus Engert**, Lauda-Königshofen (DE); **Jürgen Schoene**, Bad Mergentheim (DE)

D70,294 S * 6/1926 Schirra D23/377
D129,935 S * 10/1941 Wilcoxson D23/379
D153,099 S * 3/1949 Barnes D23/370
D154,537 S * 7/1949 Fukal D23/370
D154,927 S * 8/1949 Jones D23/370

(Continued)

FOREIGN PATENT DOCUMENTS

EP 2716915 A1 * 4/2014 F04D 19/00

OTHER PUBLICATIONS

AxiTop—Diffuser for axial fan (embpapst). embpapst.com [online] 2 pages, Posted Oct. 29, 2012 [retrieved on Jul. 14, 2014]. Retrieved from Internet: <<http://www.embpapst.com/en/products/axial-fans/diffusor/axitop.html>>.*

Primary Examiner — Susan Bennett Hattan

Assistant Examiner — Marie Fast Horse

(74) *Attorney, Agent, or Firm* — Brinks Gilson & Lione

(73) Assignee: **ebm-papst Mulfingen GmbH & Co. KG**, Mulfingen (DE)

(**) Term: **14 Years**

(21) Appl. No.: **29/451,903**

(22) Filed: **Apr. 10, 2013**

(57) **CLAIM**

The ornamental design for an electric fan, as shown and described.

(30) **Foreign Application Priority Data**

Oct. 11, 2012 (EM) 002117408

(51) **LOC (10) Cl.** **23-04**

(52) **U.S. Cl.**
USPC **D23/370; D23/382**

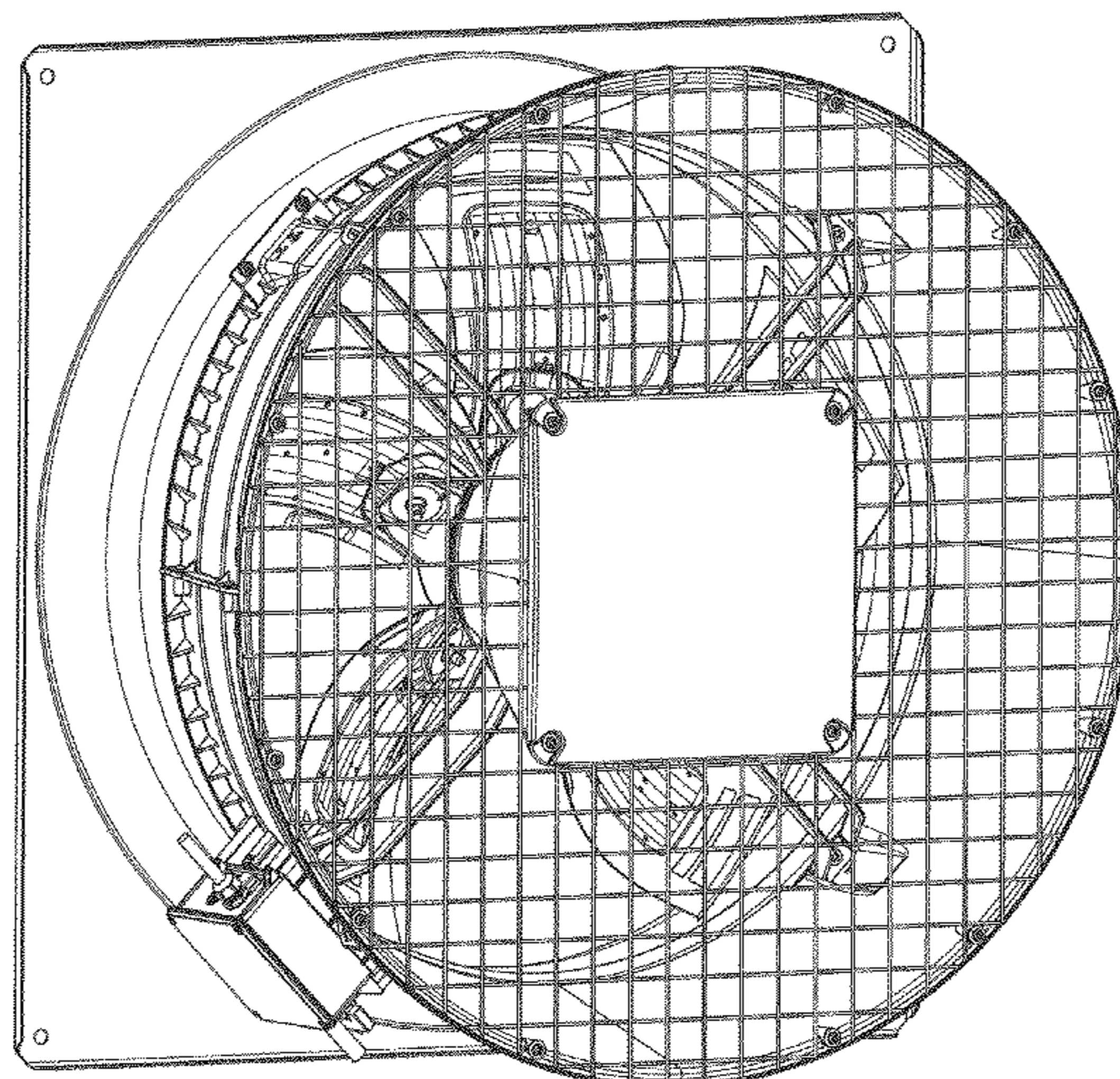
(58) **Field of Classification Search**
CPC ... F04D 29/329; F04D 29/526; F04D 25/082;
F04D 29/325; F04D 29/703; F04D 29/547
USPC D23/370–373, 376, 377, 381–387, 393,
D23/399, 411–414, 499, 335; 310/67 R;
415/1; 416/180, 189, 190, 204 R, 219 R,
416/220; 417/369, 423.7

See application file for complete search history.

DESCRIPTION

FIG. 1 is a front perspective view of the electric fan;
FIG. 2 is a front view thereof;
FIG. 3 is a rear view thereof;
FIG. 4 is a side view thereof;
FIG. 5 is another side view thereof;
FIG. 6 is another side view thereof;
FIG. 7 is another side view thereof; and,
FIG. 8 is a perspective rear detail view thereof without the shroud, which is part of the ornamental design, for illustrating interior details.

1 Claim, 6 Drawing Sheets



(56)

References Cited

U.S. PATENT DOCUMENTS

D157,642 S *	3/1950	Sutton	D23/370	D594,105 S *	6/2009	Sturm et al.	D23/377
D186,816 S *	12/1959	Besler	D23/383	D594,106 S *	6/2009	Sturm et al.	D23/377
D205,639 S *	8/1966	Grad	D23/370	D594,107 S *	6/2009	Sturm et al.	D23/377
D211,576 S *	7/1968	Jenn et al.	D23/382	D594,108 S *	6/2009	Sturm et al.	D23/377
D230,736 S *	3/1974	Rousey	D23/370	D594,109 S *	6/2009	Sturm et al.	D23/377
D258,307 S *	2/1981	Adam et al.	D23/386	D594,545 S *	6/2009	Blateri	D23/382
D261,803 S *	11/1981	Bohanon, Jr.	D23/393	D594,546 S *	6/2009	Blateri	D23/382
D269,293 S *	6/1983	Peirce et al.	D23/381	D594,548 S *	6/2009	Salisbury et al.	D23/411
D310,712 S *	9/1990	Del Fresno	D23/335	D595,401 S *	6/2009	Sturm et al.	D23/377
D403,337 S *	12/1998	Or	D15/199	D606,647 S *	12/2009	Sturm et al.	D23/377
D409,741 S *	5/1999	Yuen-Ming	D23/370	D629,097 S *	12/2010	Aoyama et al.	D23/412
D418,595 S *	1/2000	Leslie	D23/411	D639,924 S *	6/2011	Winkler	D23/370
D466,603 S *	12/2002	Pustelnik	D23/370	D643,916 S *	8/2011	Bohl et al.	D23/370
D484,586 S *	12/2003	Intravatola	D23/370	D667,537 S *	9/2012	Le et al.	D23/412
D489,441 S *	5/2004	Wagner	D23/370	2004/0191057 A1 *	9/2004	Lee et al.	415/121.1
D509,896 S *	9/2005	Chen et al.	D23/370	2005/0260063 A1 *	11/2005	Blateri	415/1
D513,799 S *	1/2006	Li et al.	D23/411	2007/0013242 A1 *	1/2007	Tung et al.	310/67 R
D529,601 S *	10/2006	Shurtleff	D23/411	2010/0003140 A1 *	1/2010	Best	416/204 R
D542,909 S *	5/2007	Russak et al.	D23/411	2010/0247316 A1 *	9/2010	Aynsley et al.	416/189
D557,398 S *	12/2007	Moore et al.	D23/382	2012/0321474 A1 *	12/2012	Stevens et al.	416/190
D558,325 S *	12/2007	Karnes	D23/393	2013/0004349 A1 *	1/2013	Haaf	417/423.7
D570,470 S *	6/2008	Suzuki et al.	D23/413	2013/0017073 A1 *	1/2013	Sauer et al.	415/182.1
D571,448 S *	6/2008	Bucher et al.	D23/382	2013/0022479 A1 *	1/2013	Haaf et al.	417/369
D594,104 S *	6/2009	Sturm et al.	D23/377	2013/0189099 A1 *	7/2013	Jensen et al.	416/1
					2013/0266439 A1 *	10/2013	Rubak et al.	415/208.1
					2013/0315737 A1 *	11/2013	Dygert et al.	416/179

* cited by examiner

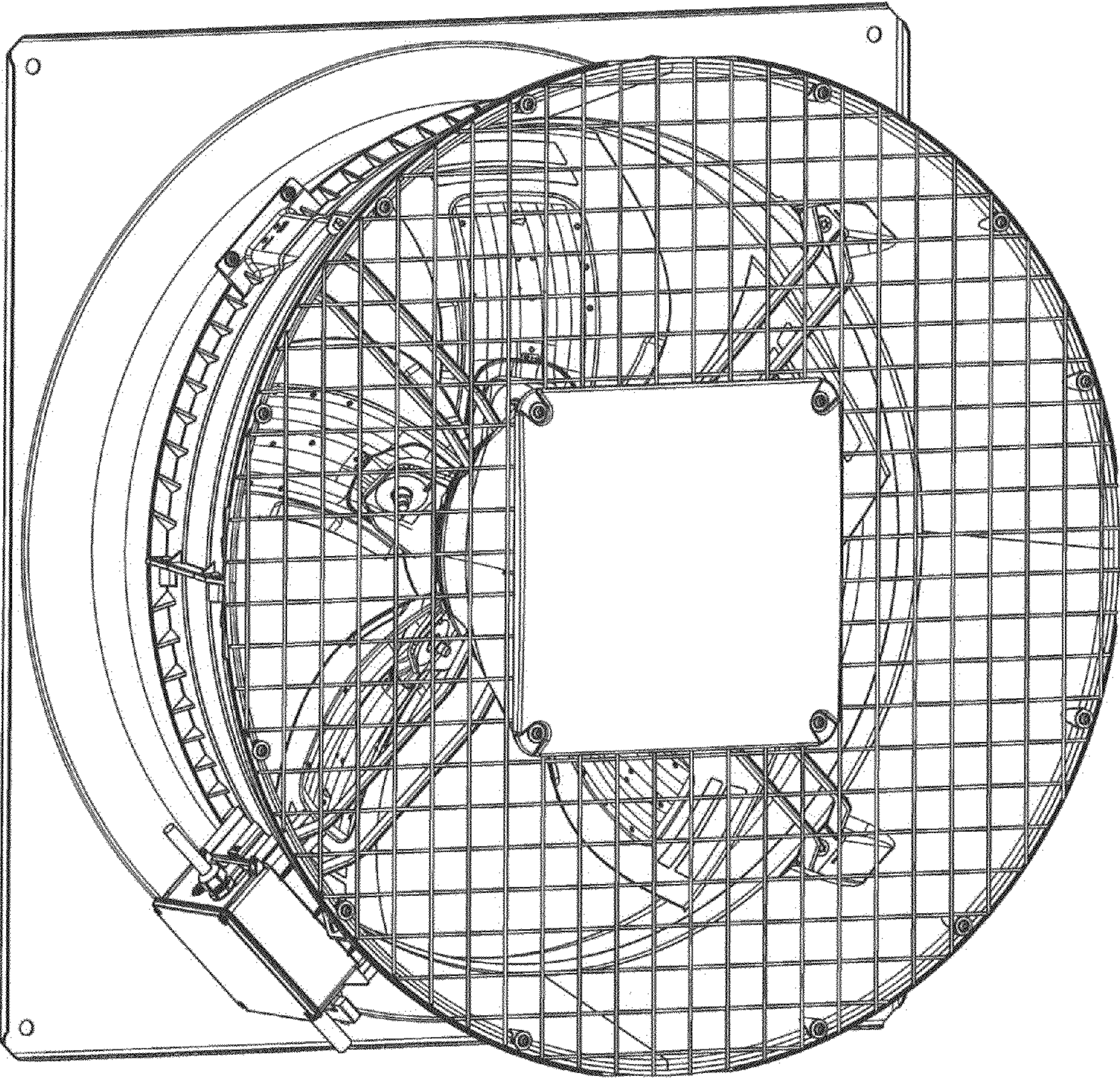


FIG. 1

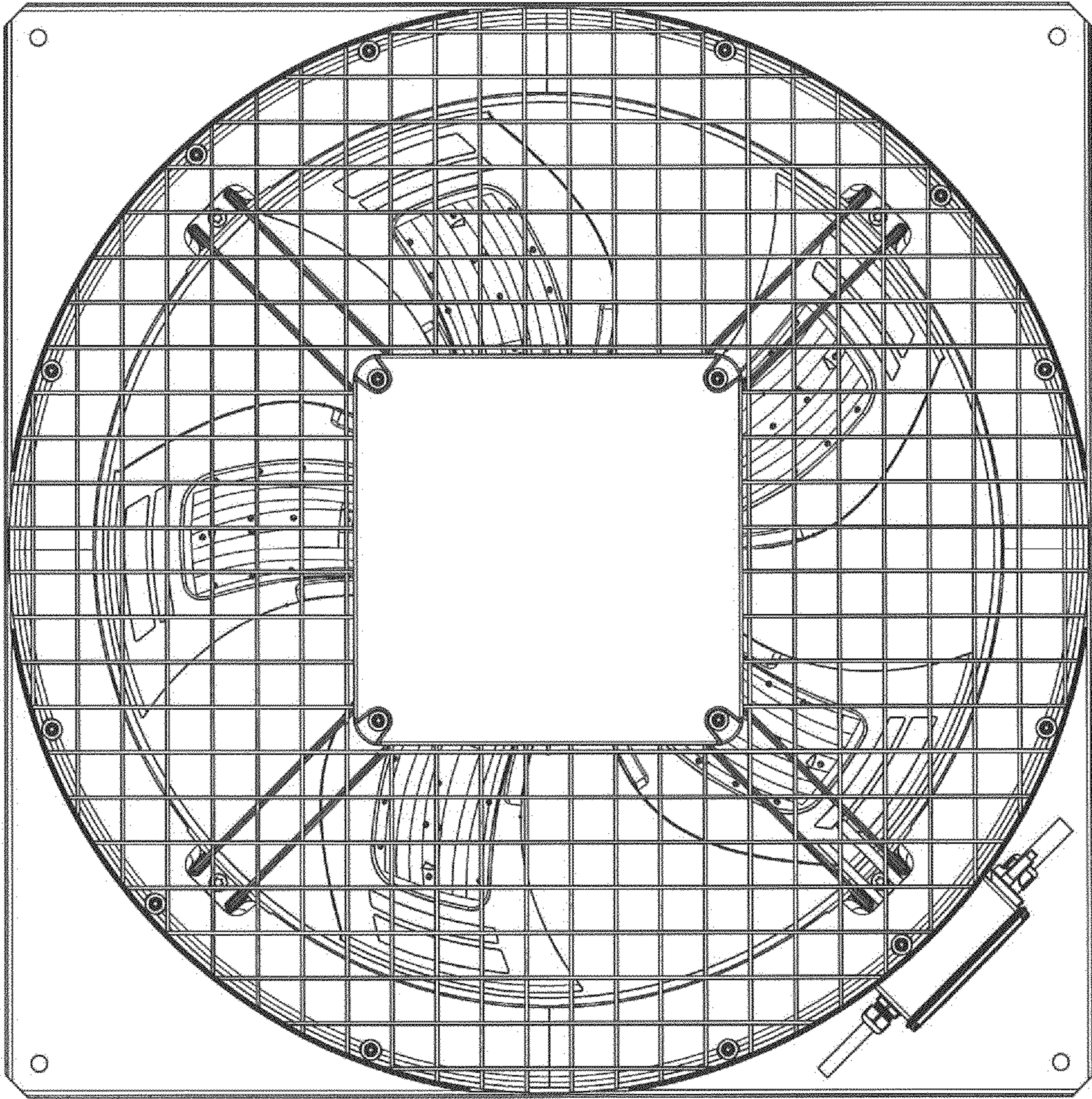


FIG. 2

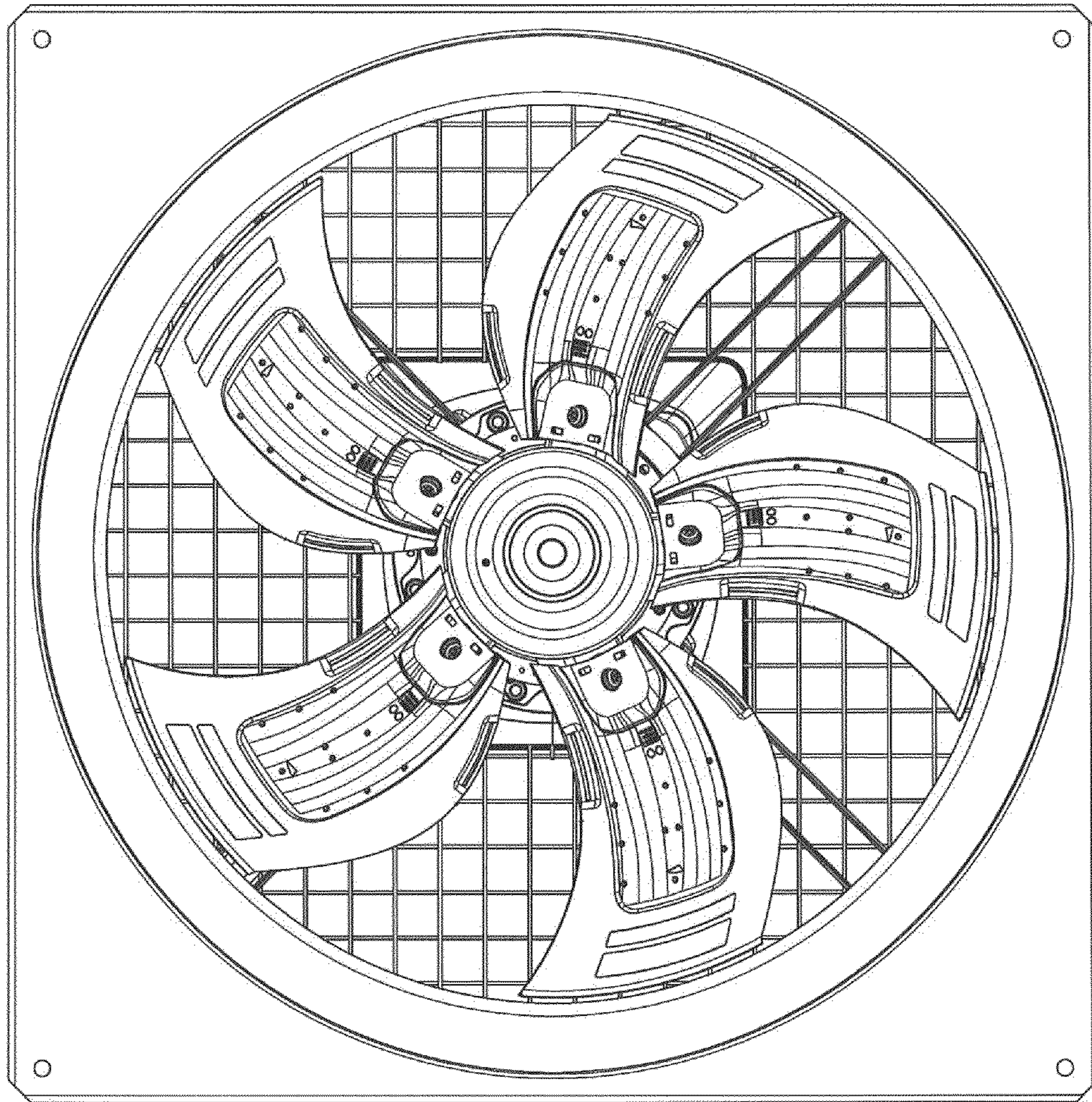


FIG. 3

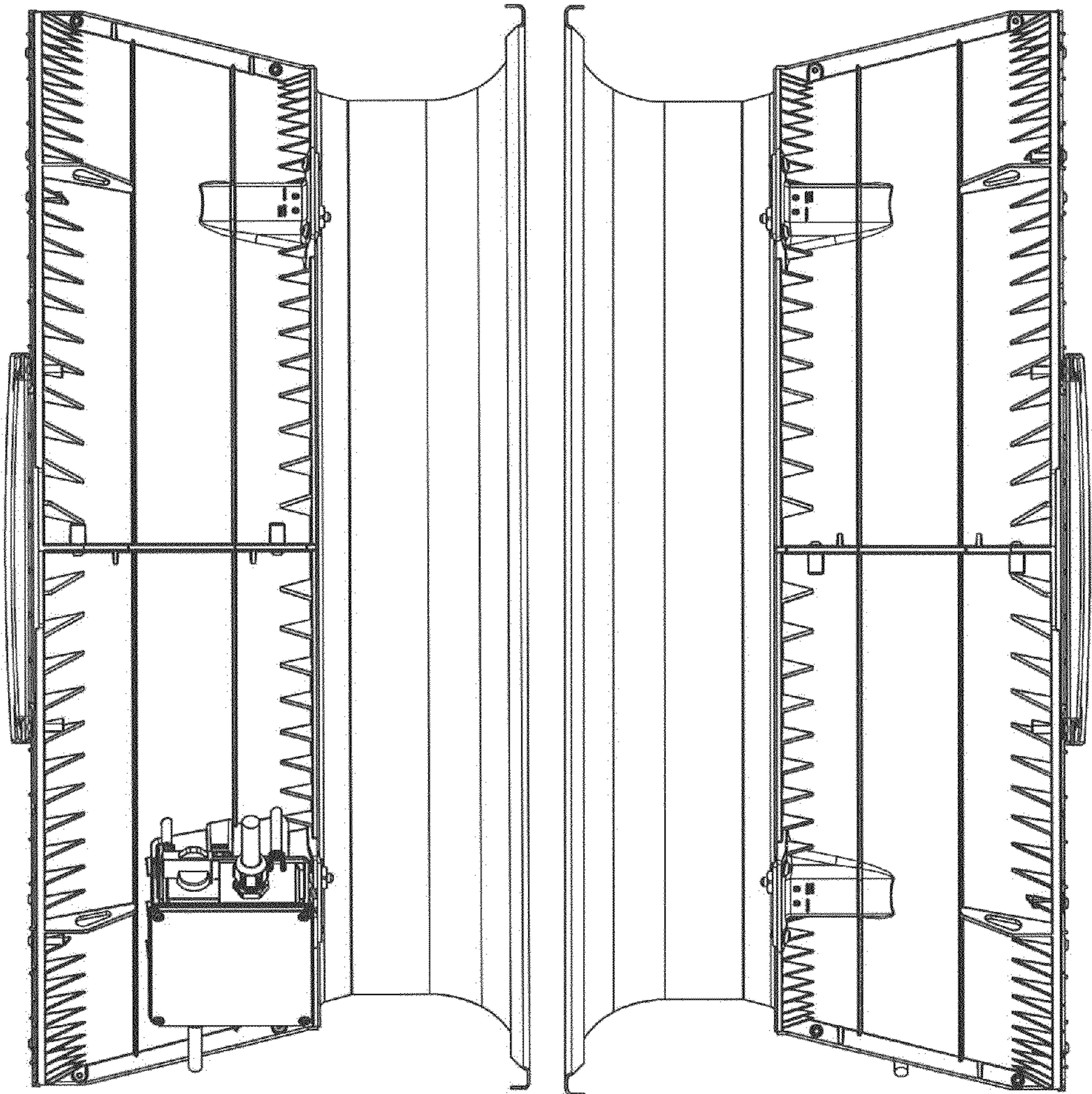


FIG. 4

FIG. 5

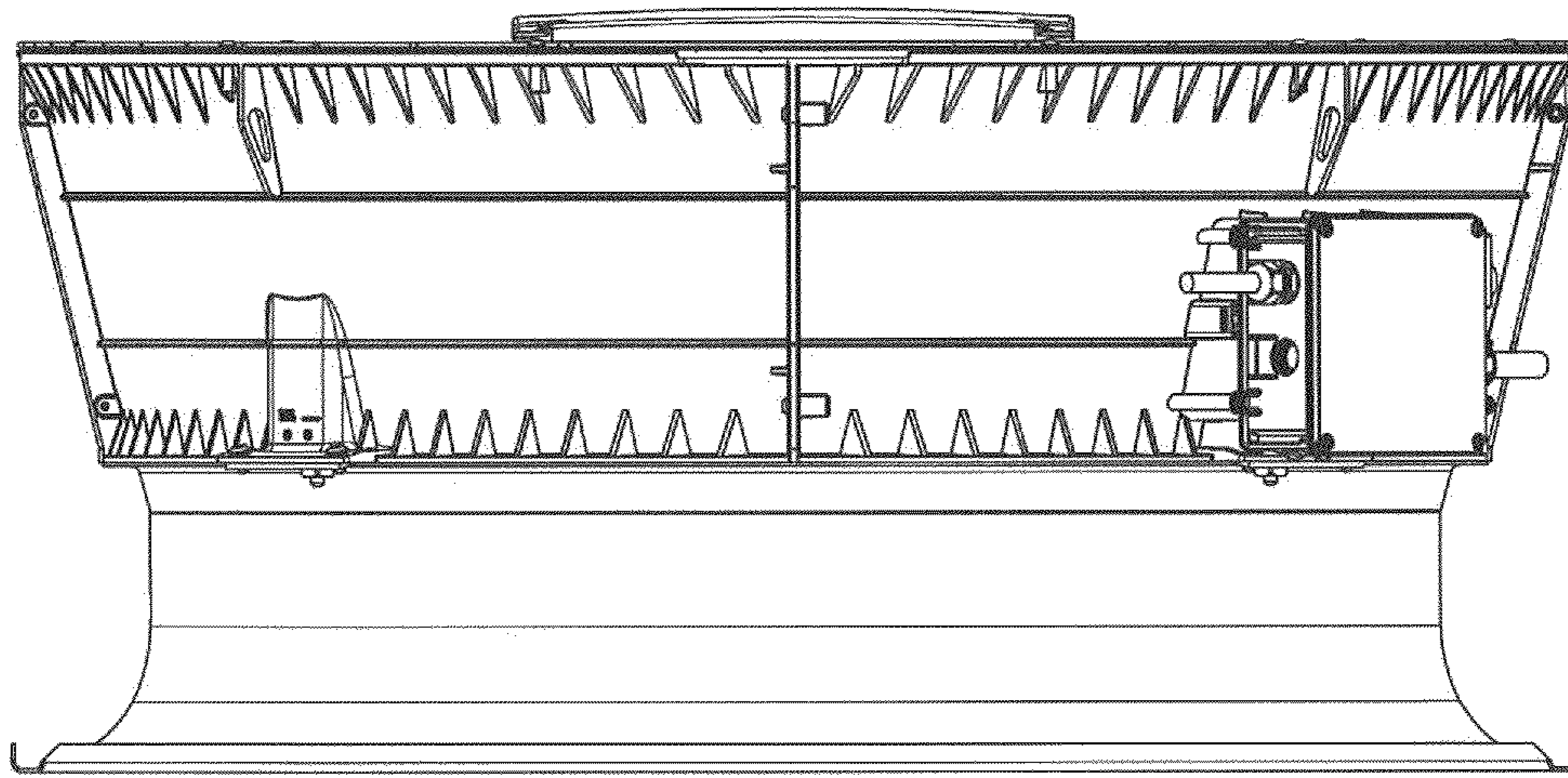


FIG. 6

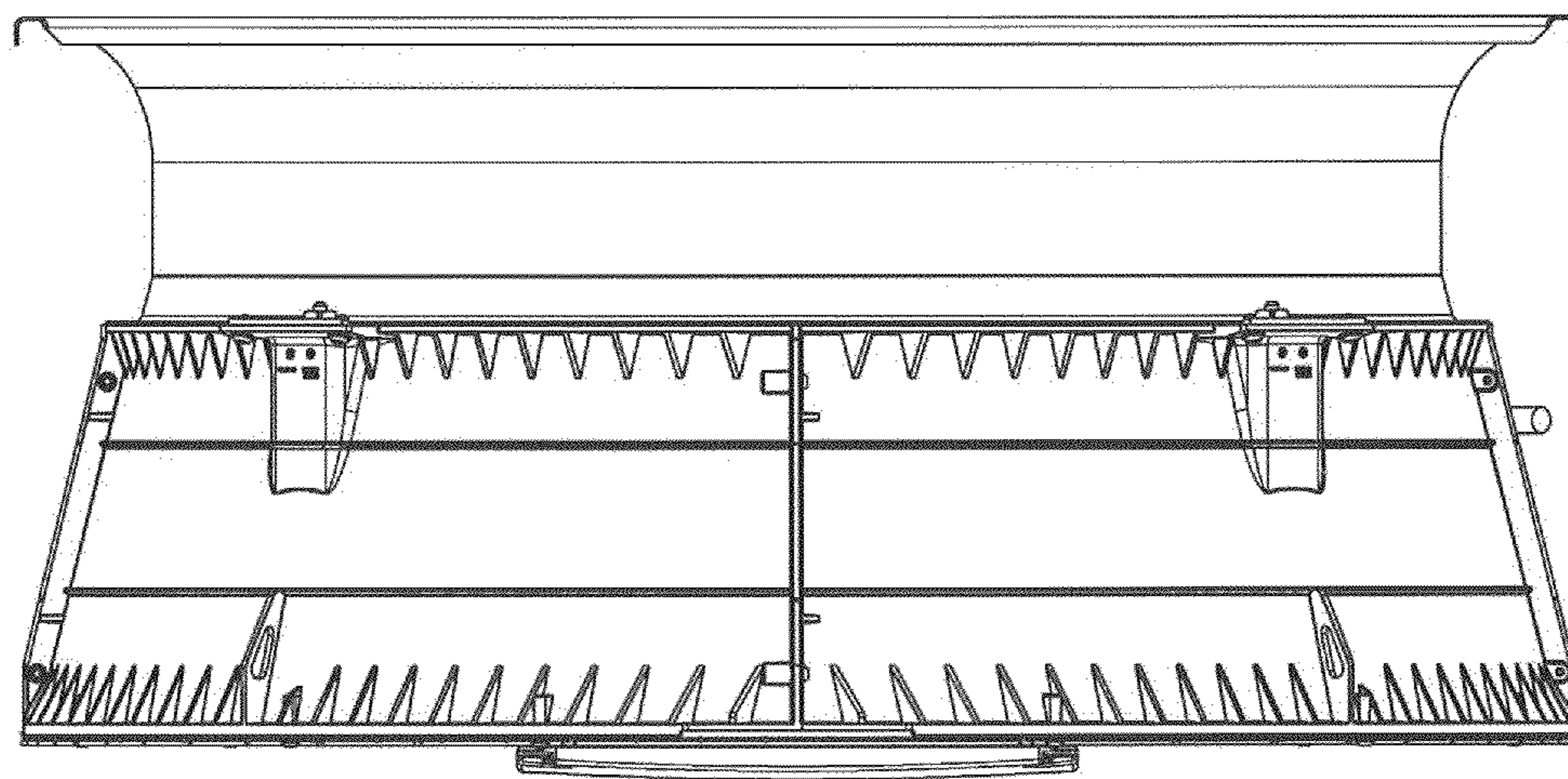


FIG. 7

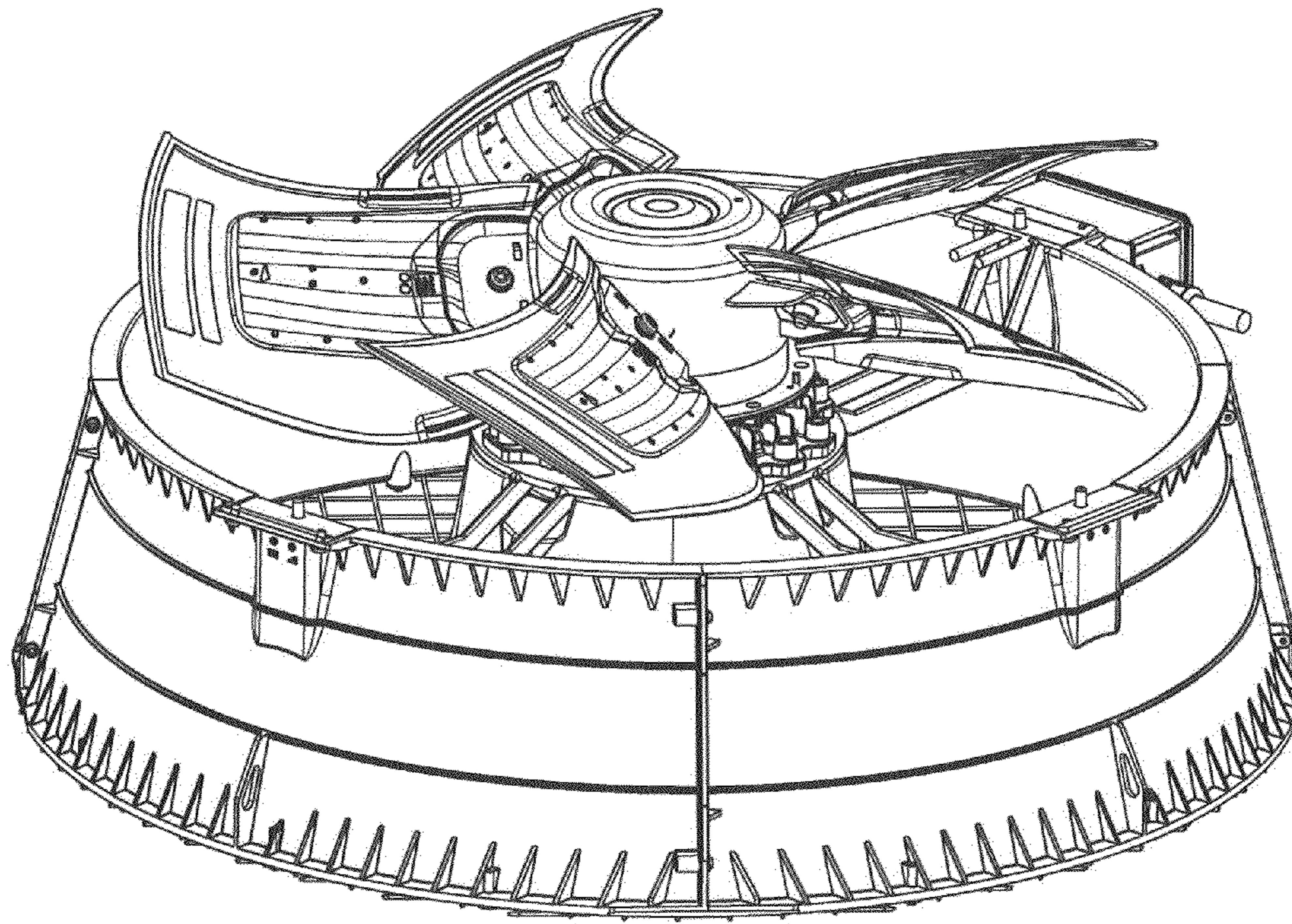


FIG. 8