



US00D728087S

(12) **United States Design Patent**
Zan et al.

(10) **Patent No.:** **US D728,087 S**

(45) **Date of Patent:** **** Apr. 28, 2015**

(54) **HEAT EXCHANGER**

(71) Applicants: **Ivan Zan**, Monroe Township, NJ (US);
Pavlyna I. Andreyko, Monroe Township, NJ (US)

(72) Inventors: **Ivan Zan**, Monroe Township, NJ (US);
Pavlyna I. Andreyko, Monroe Township, NJ (US)

(**) Term: **14 Years**

(21) Appl. No.: **29/442,930**

(22) Filed: **Jun. 14, 2013**

(51) **LOC (10) Cl.** **23-03**

(52) **U.S. Cl.**
USPC **D23/323**

(58) **Field of Classification Search**
USPC D15/5; D23/314, 343, 323; 126/92 AC,
126/92 B, 91 R, 200; 165/499, 450, 152,
165/182, 176, 165, 557
See application file for complete search history.

(56) **References Cited**

U.S. PATENT DOCUMENTS

567,034	A *	9/1896	Loy	126/61
3,625,190	A	12/1971	Boissevain	
3,989,019	A	11/1976	Brandt et al.	
D252,526	S *	7/1979	DeNyse	D23/329
4,180,036	A	12/1979	Wolf	
D267,035	S *	11/1982	Jinsky	D23/343
4,403,590	A *	9/1983	Davis	123/557
4,645,600	A *	2/1987	Filippi	210/416.4
D315,597	S *	3/1991	Botheras et al.	D23/332

5,118,451	A *	6/1992	Lambert et al.	261/144
D335,338	S *	5/1993	Shero	D23/323
5,443,053	A	8/1995	Johnson	
D369,402	S *	4/1996	Krishart	D23/318
D386,561	S *	11/1997	Campbell	D23/330
6,637,378	B1 *	10/2003	Al-Amin	122/28
D547,847	S *	7/2007	Smal	D23/330

* cited by examiner

Primary Examiner — T. Chase Nelson

Assistant Examiner — Ania Aman

(74) *Attorney, Agent, or Firm* — Paul R. Martin

(57) **CLAIM**

The ornamental design for a heat exchanger, as shown and described.

DESCRIPTION

FIG. 1 is perspective view of the heat exchanger of our new design.

FIG. 2 is an elevational view of the front thereof.

FIG. 3 is an elevational view of the back thereof.

FIG. 4 is a top plan view.

FIG. 5 is an elevational view of the right end thereof, as shown in FIG. 4.

FIG. 6 is an elevational view of the left end thereof, as shown in FIG. 4.

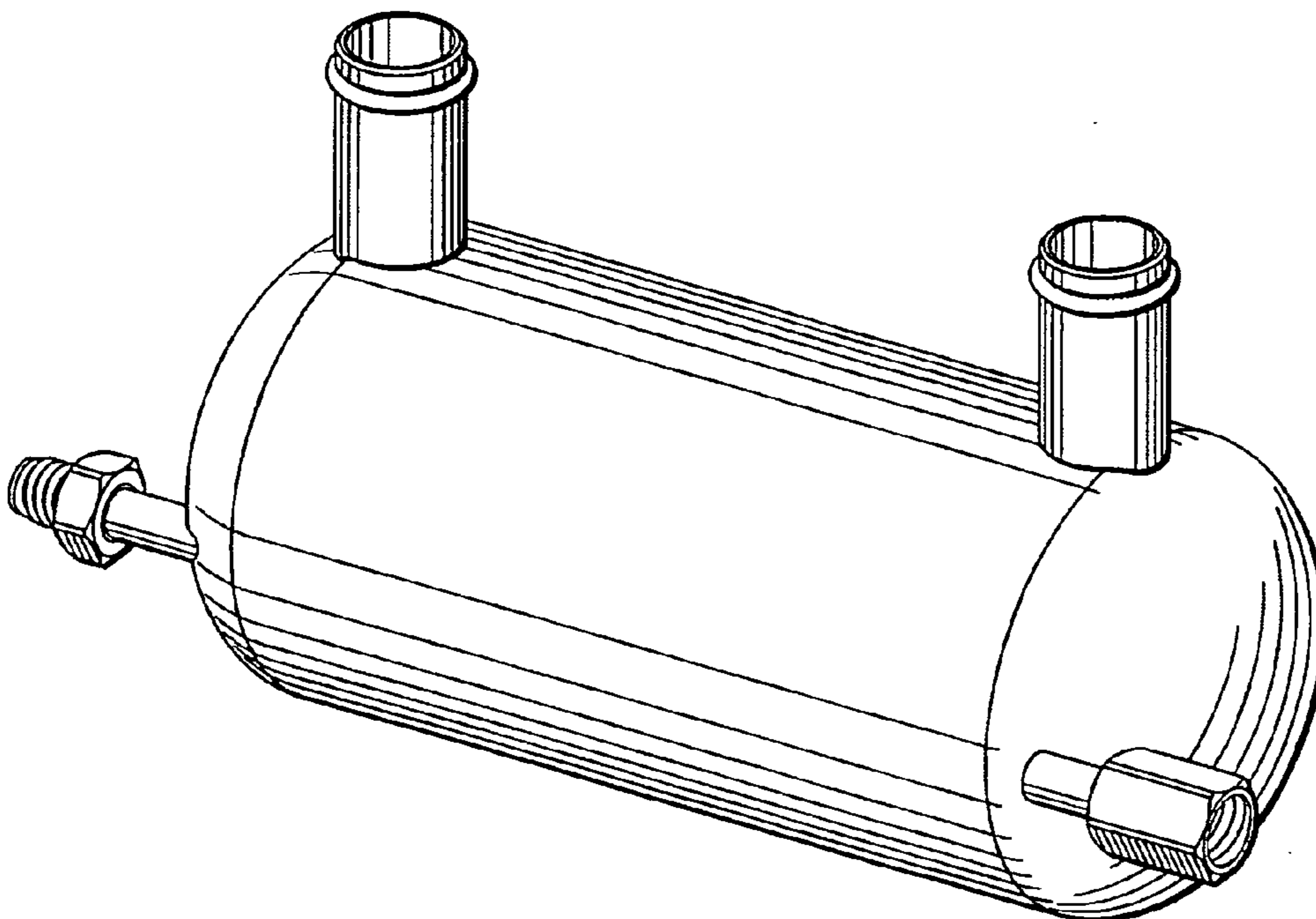
FIG. 7 is an bottom plan view thereof.

FIG. 8 is a cross sectional view through line 8-8 of FIG. 2; and,

FIG. 9 is a cross sectional view through line 9-9 of FIG. 2.

The broken line elements shown in FIG. 8 are environmental elements and form no part of the my new design.

1 Claim, 5 Drawing Sheets



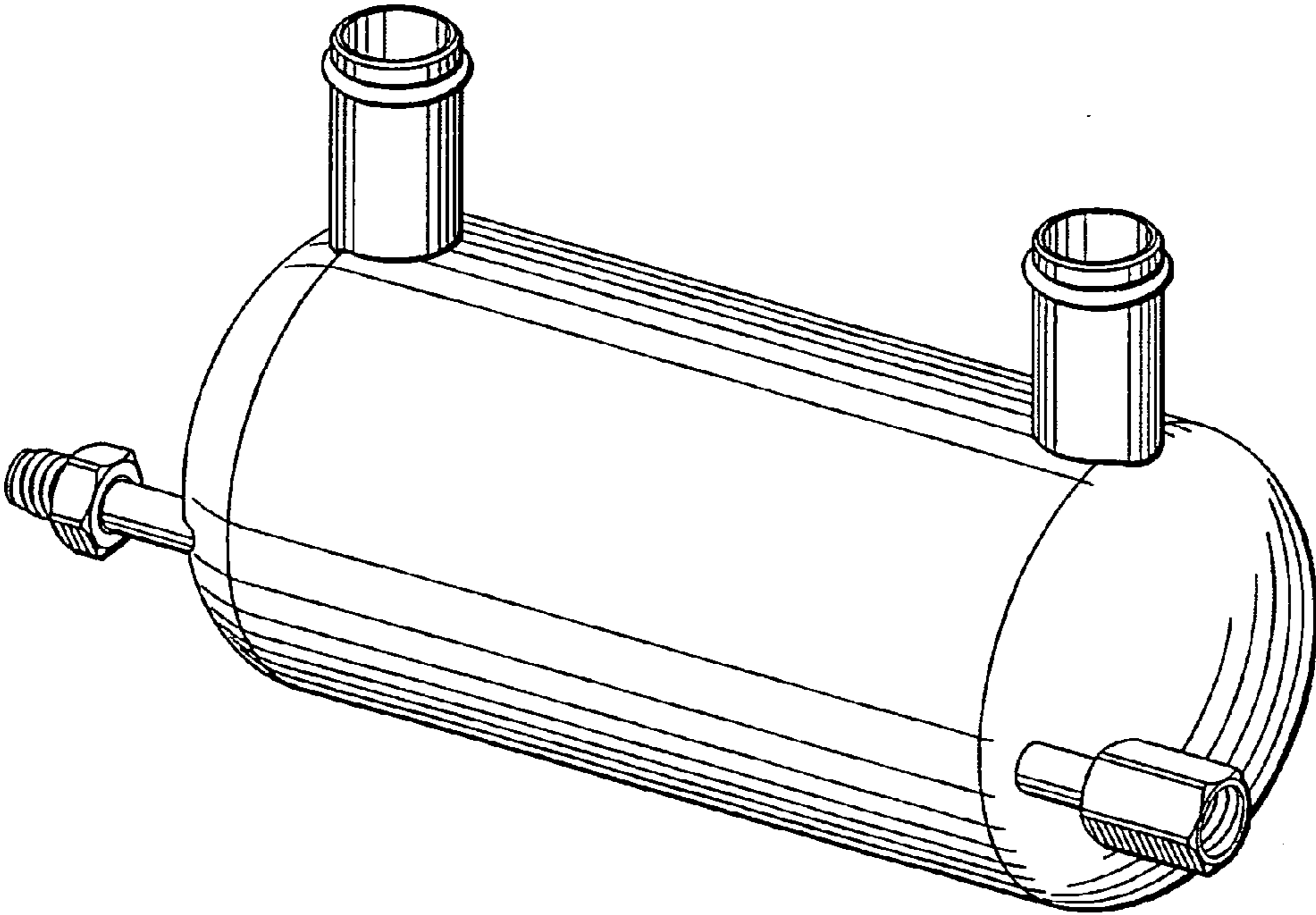
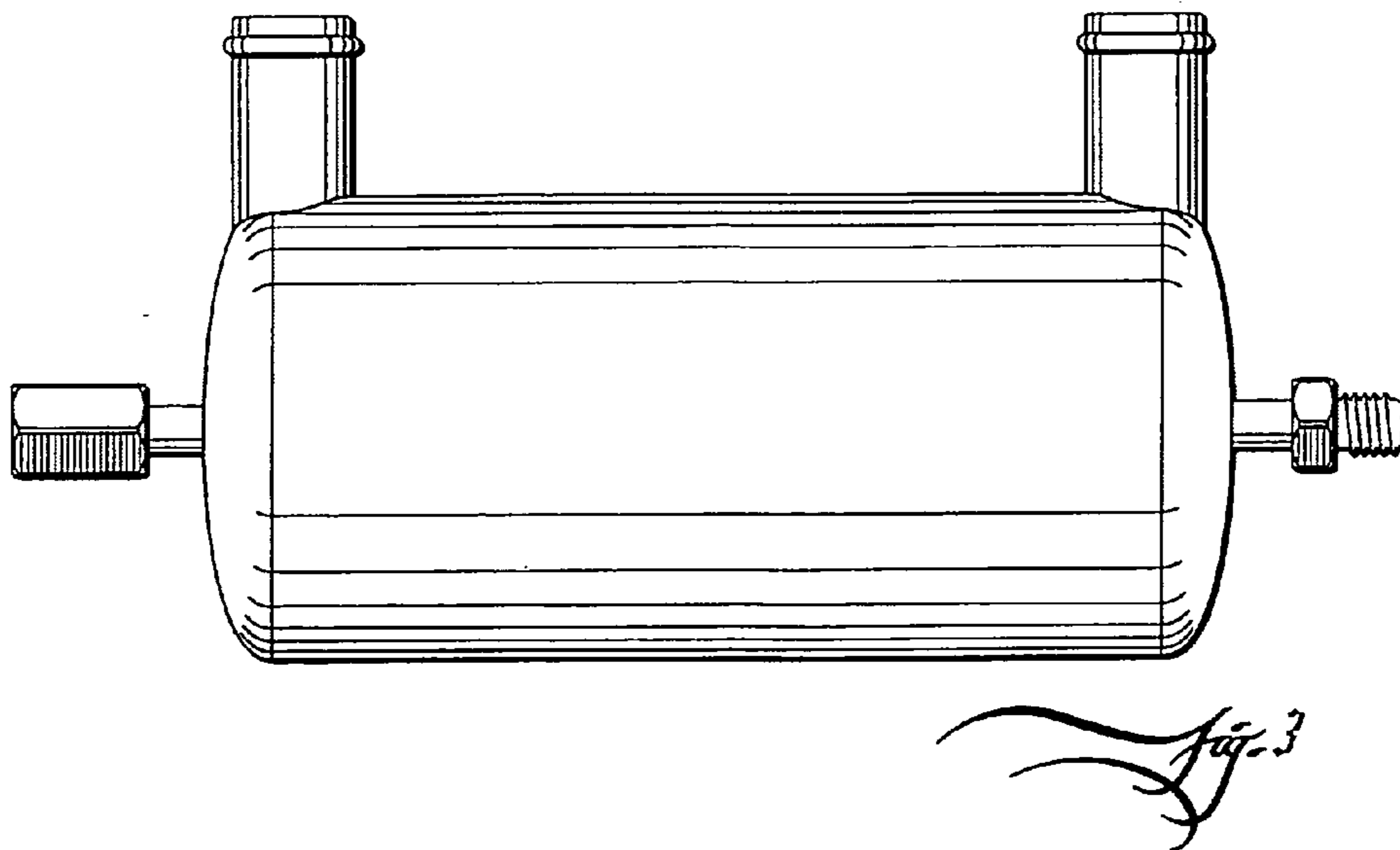
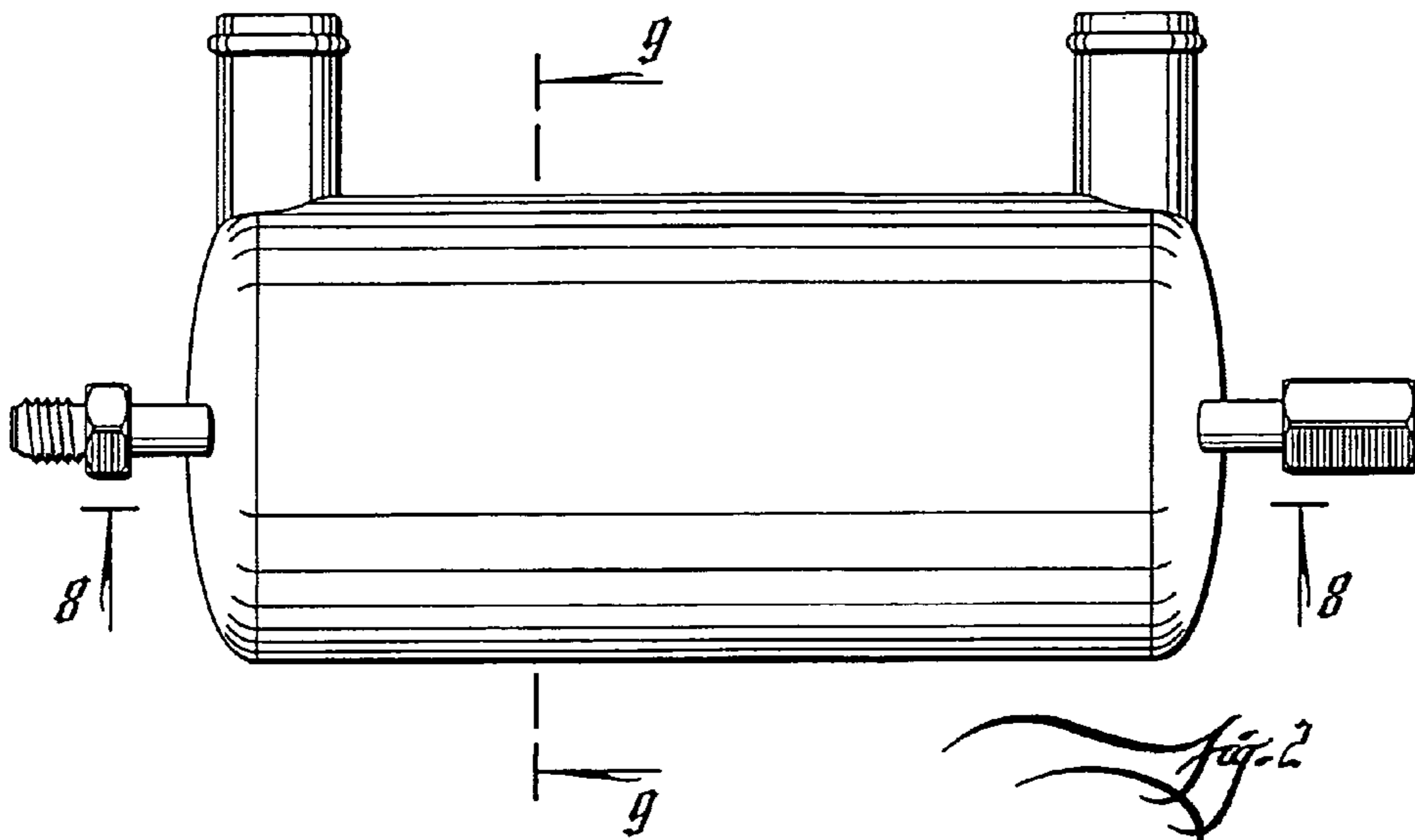


Fig. 1



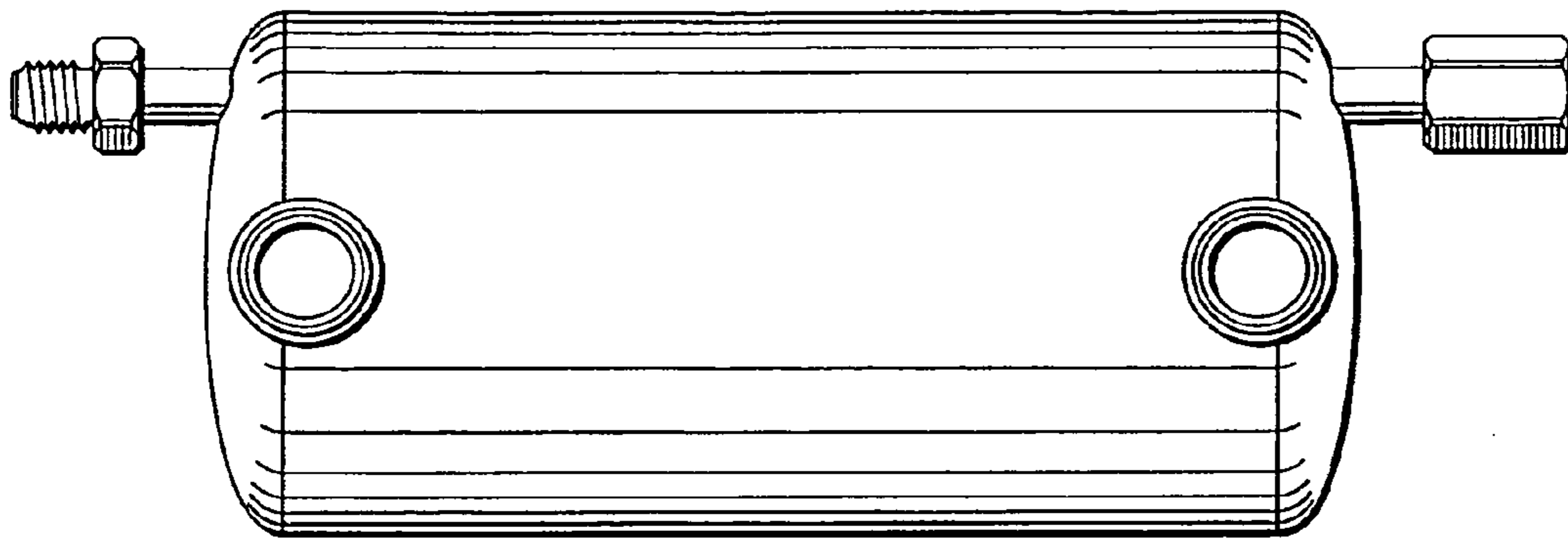


Fig. 4

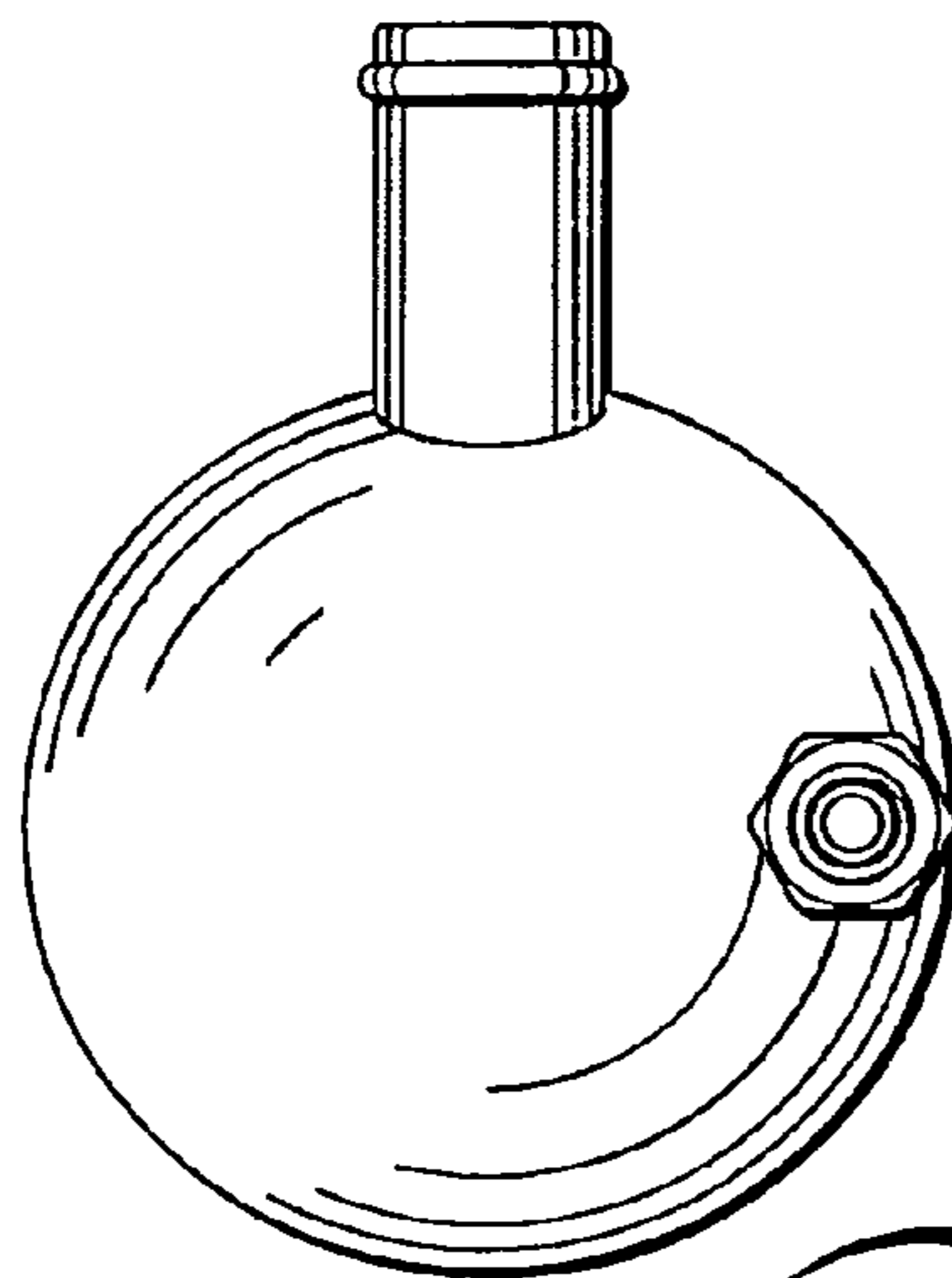


Fig. 5

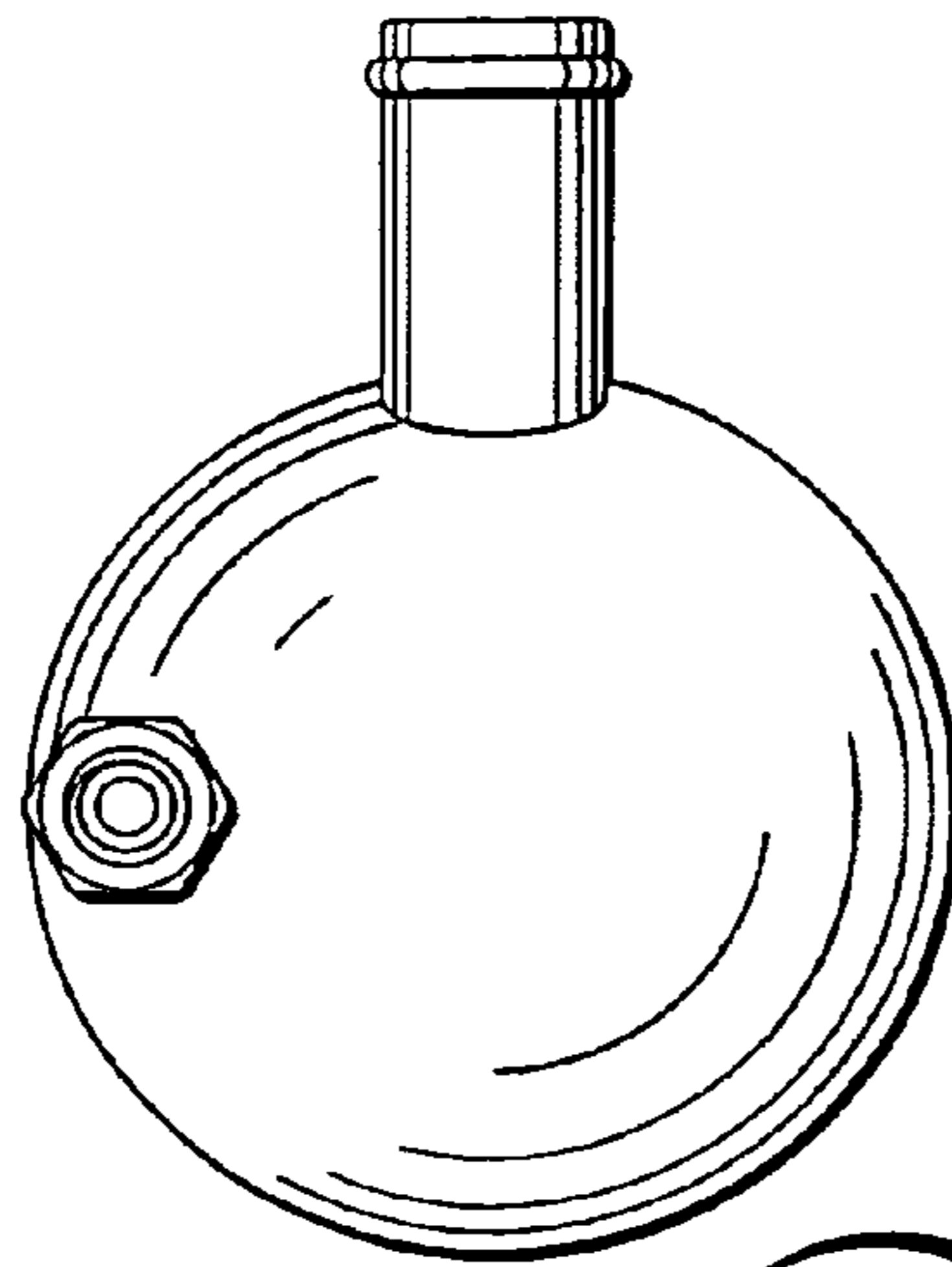


Fig. 6

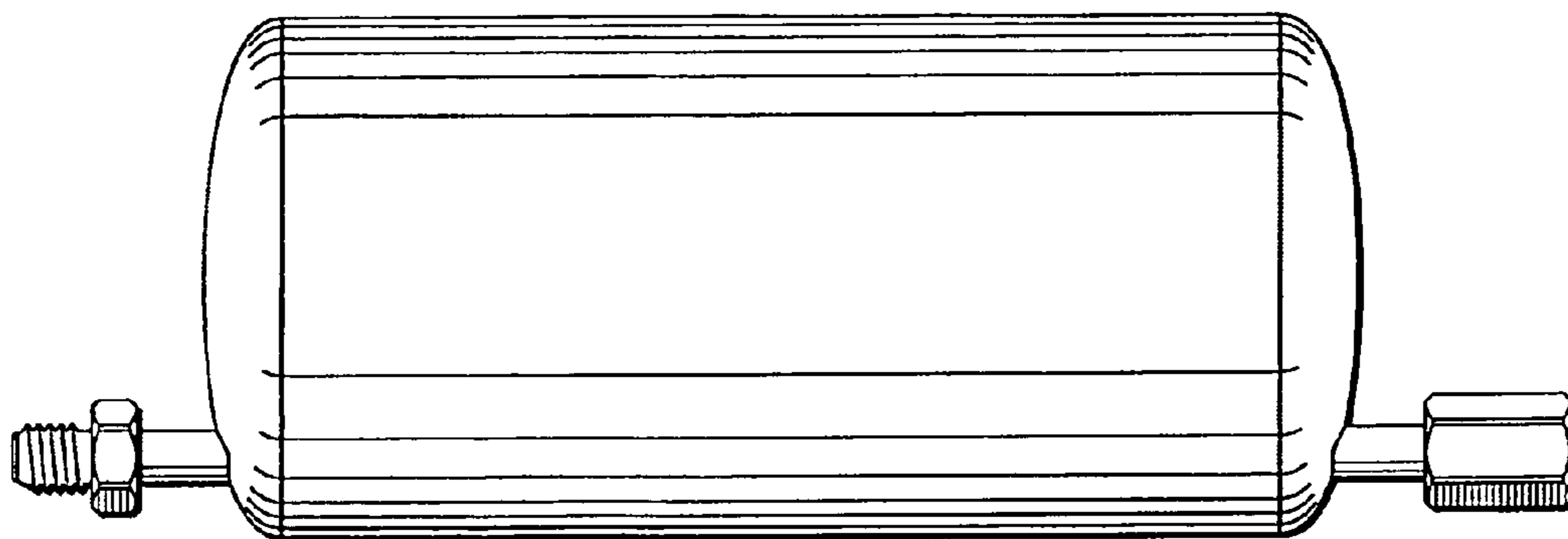


Fig. 7

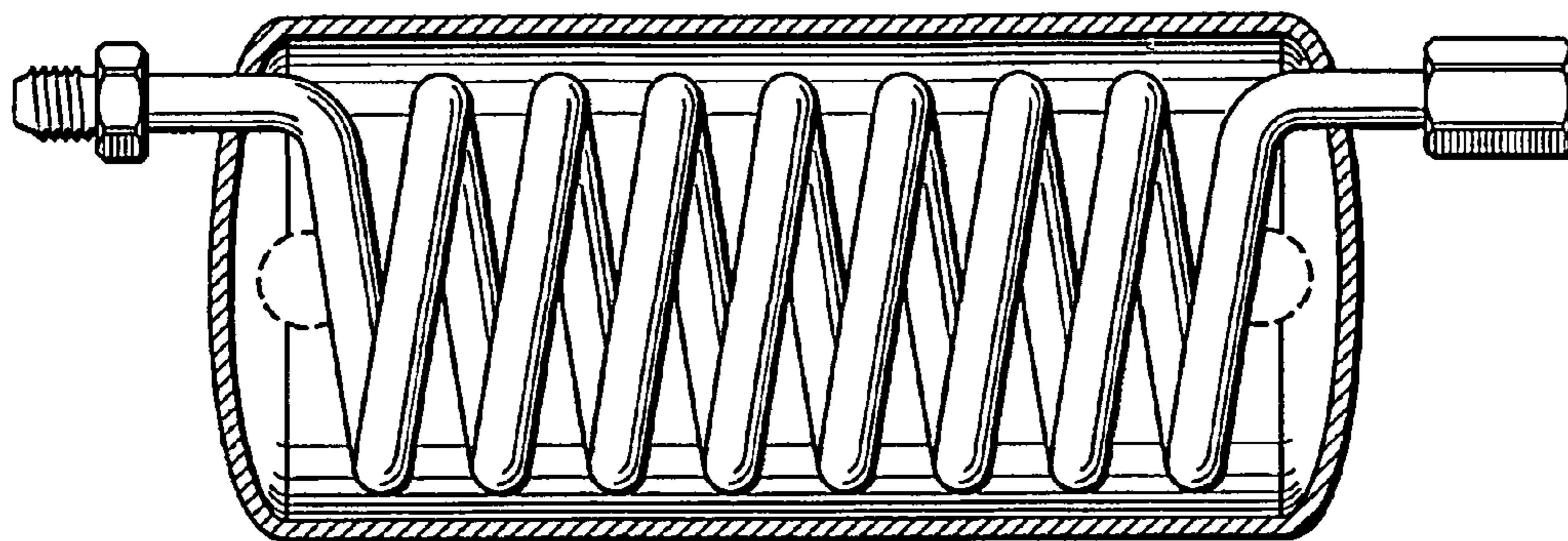


Fig. 8

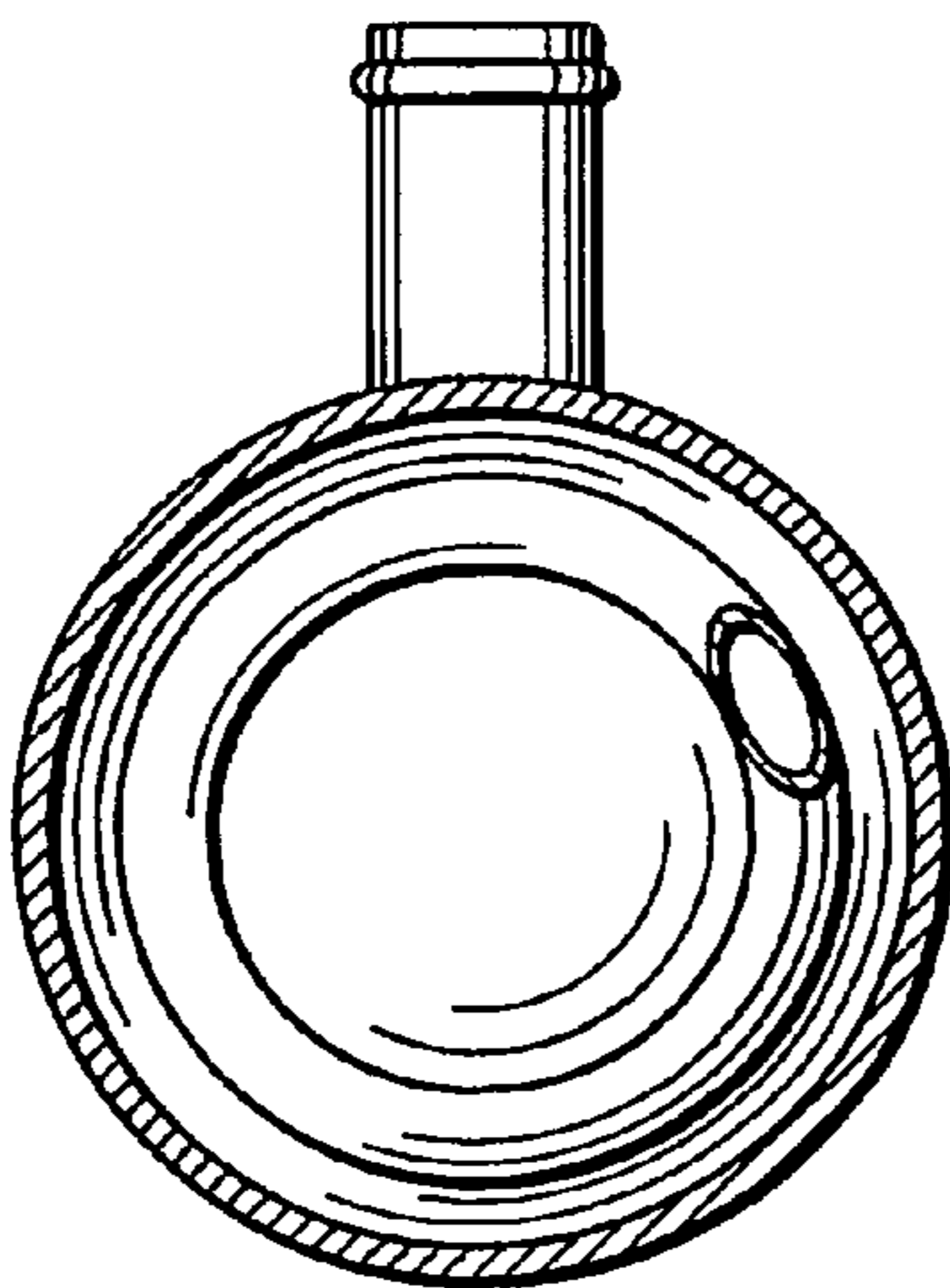


Fig. 9