



US00D728085S

(12) **United States Design Patent**
Traxler

(10) **Patent No.:** **US D728,085 S**
(45) **Date of Patent:** **** Apr. 28, 2015**

(54) **TOILET TRAINING DEVICE**

- (71) Applicant: **Michael Traxler**, Simi Valley, CA (US)
- (72) Inventor: **Michael Traxler**, Simi Valley, CA (US)
- (**) Term: **14 Years**
- (21) Appl. No.: **29/487,264**
- (22) Filed: **Apr. 7, 2014**

Related U.S. Application Data

- (63) Continuation-in-part of application No. 13/670,414, filed on Nov. 6, 2012, now abandoned.
 - (51) **LOC (10) Cl.** **23-02**
 - (52) **U.S. Cl.**
USPC **D23/309**
 - (58) **Field of Classification Search**
USPC 4/300.3, 902; 434/247; D23/296, 303,
D23/309-310
- See application file for complete search history.

(56) **References Cited**

U.S. PATENT DOCUMENTS

2,127,020	A *	8/1938	Carlson	D23/296
D197,457	S *	2/1964	Wood	D23/309
4,044,405	A	8/1977	Kreiss		
5,117,515	A	6/1992	White et al.		
5,353,449	A	10/1994	Rubenstein et al.		
D366,931	S *	2/1996	Blackburn	D23/309
5,926,867	A	7/1999	Buchanan		
6,183,850	B1	2/2001	Lauer		
6,385,784	B1	5/2002	Donohue		
6,513,172	B1	2/2003	Norton		
D481,448	S *	10/2003	Argentina	D23/297
6,772,454	B1	8/2004	Barry et al.		
6,908,392	B2	6/2005	Friedman et al.		
7,017,198	B2	3/2006	Conn et al.		
7,373,673	B1	5/2008	Holland		
8,317,517	B2 *	11/2012	Giard	434/247
2011/0318720	A1	12/2011	Giard		
2013/0084550	A1	4/2013	Mackie		

OTHER PUBLICATIONS

Edwin; Wee Wee Aim Ball; <http://www.boysstuff.co.uk/bachelorpad/wee-wee-aim-ball/>.
 Kids-art.com.au, Wee Targets, http://kids-art.com.au/index.php?main_page=index&cPath=5.
 Etsy; Pee Aim Decals, <http://www.etsy.com/listing/67978525/pee-aim-decals-for-your-potty-training>.
 Toilet Training Boys the Fun Way; Wee Target; <http://www.weetarget.com.au>.
 Ginsey Construction Tinkle Targets; Walmart; <http://www.walmart.com/ip/Ginsey-Construction-Tinkle-Targets/19246865?wmlspartner=q5QZHUBClj8&&sourceid=21274557933214128896&sourceid=0100000012230215302434&veh=aff>.

* cited by examiner

Primary Examiner — Robert Delehanty

(74) *Attorney, Agent, or Firm* — Marc E. Hankin; Hankin Patent Law, APC; Kevin Schraven

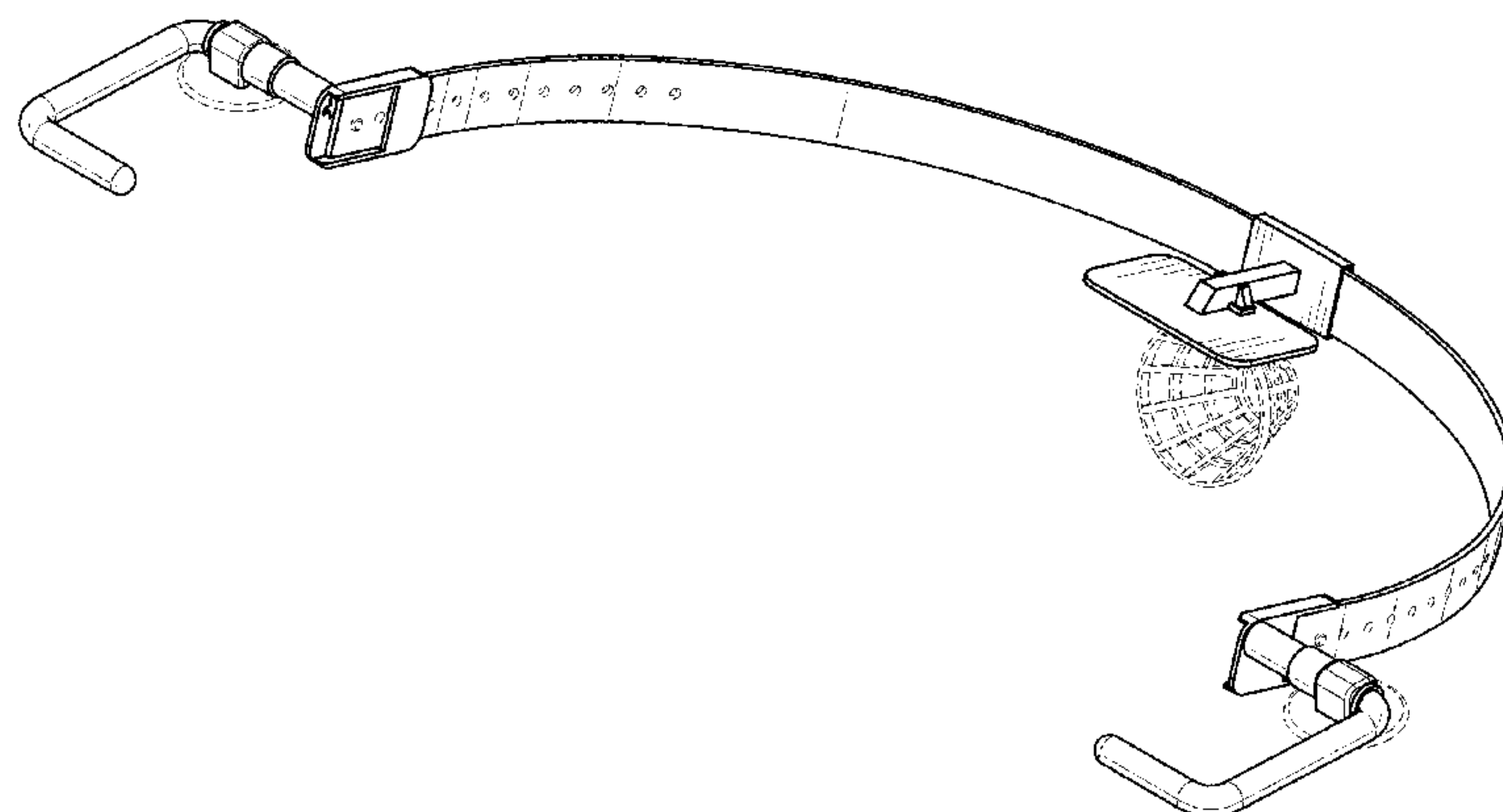
(57) **CLAIM**

The ornamental design for a toilet training device, as shown and described.

DESCRIPTION

FIG. 1 is an illustration of a perspective view of the toilet training device showing my new design.
 FIG. 2 is an illustration of rear view thereof.
 FIG. 3 is an illustration of a side view thereof.
 FIG. 4 is an illustration of a front view thereof.
 FIG. 5 is an illustration of a top view thereof; and,
 FIG. 6 is an illustration of a bottom view thereof.
 The broken lines showing the suction cups, the basketball hoop, and the adjustment holes are for the purpose of illustrating environmental structure and unclaimed subject matter, and form no part of the claimed design.

1 Claim, 6 Drawing Sheets



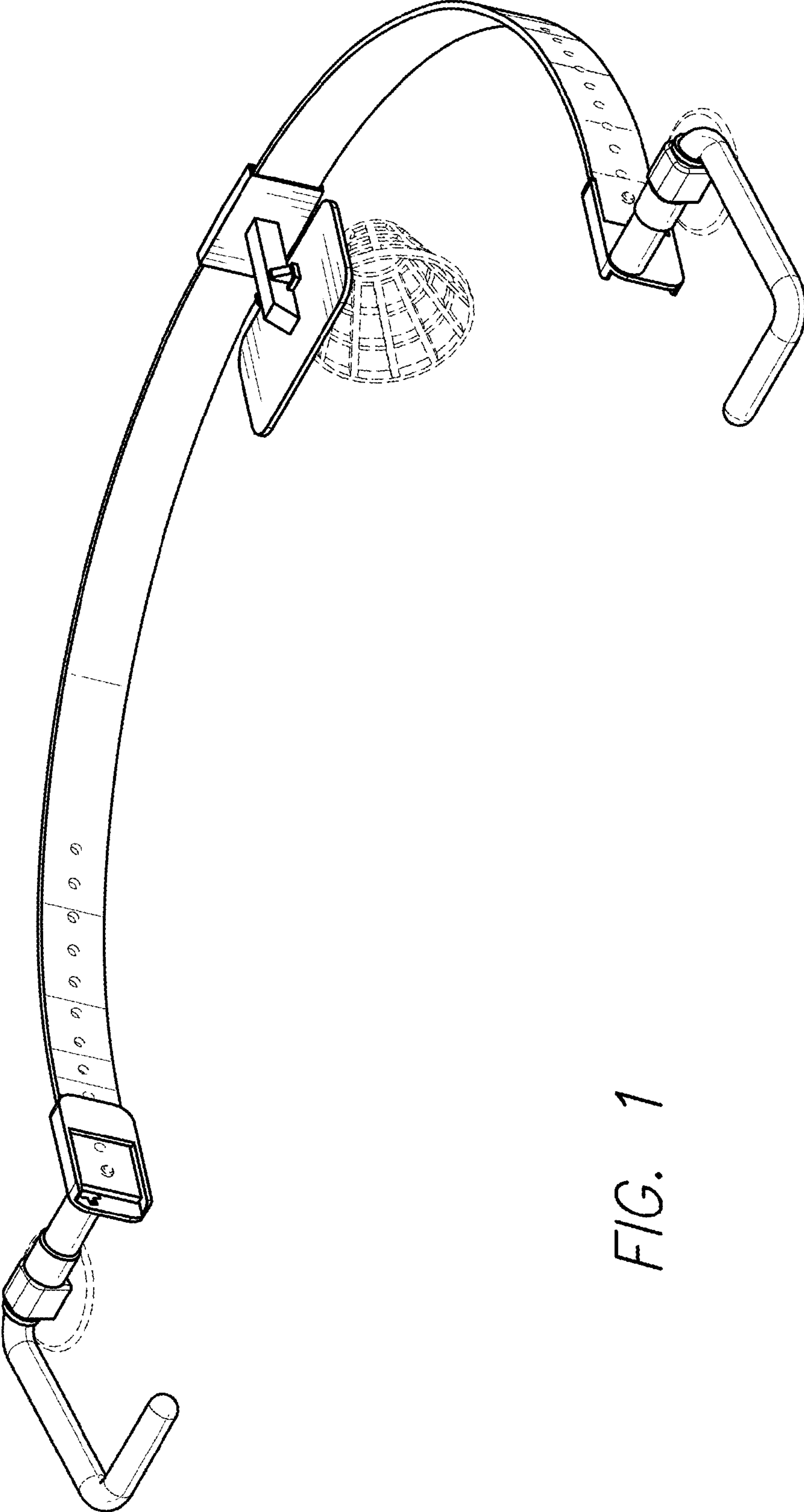


FIG. 1

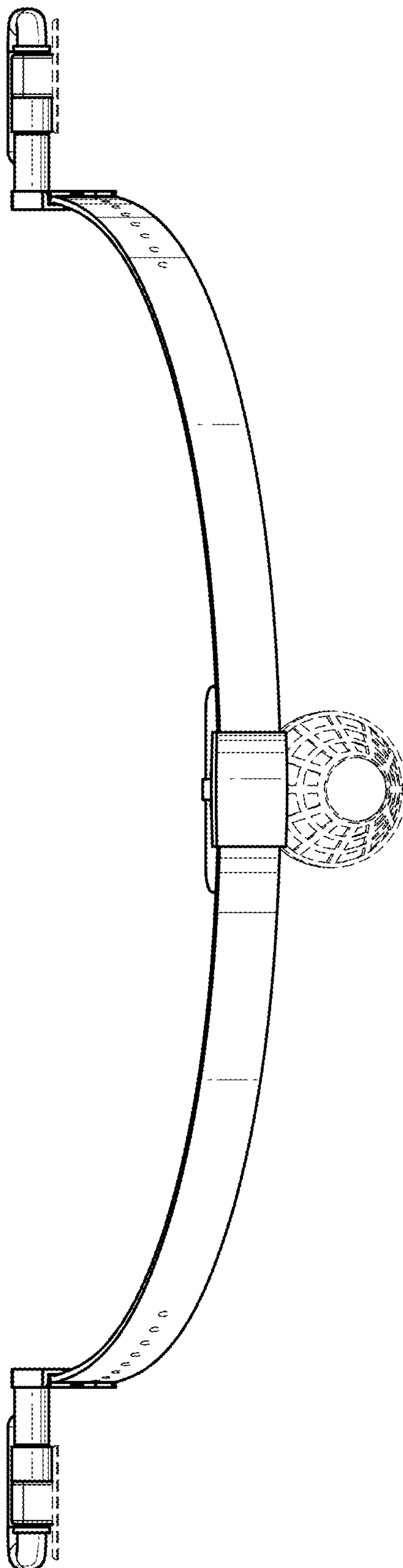


FIG. 2

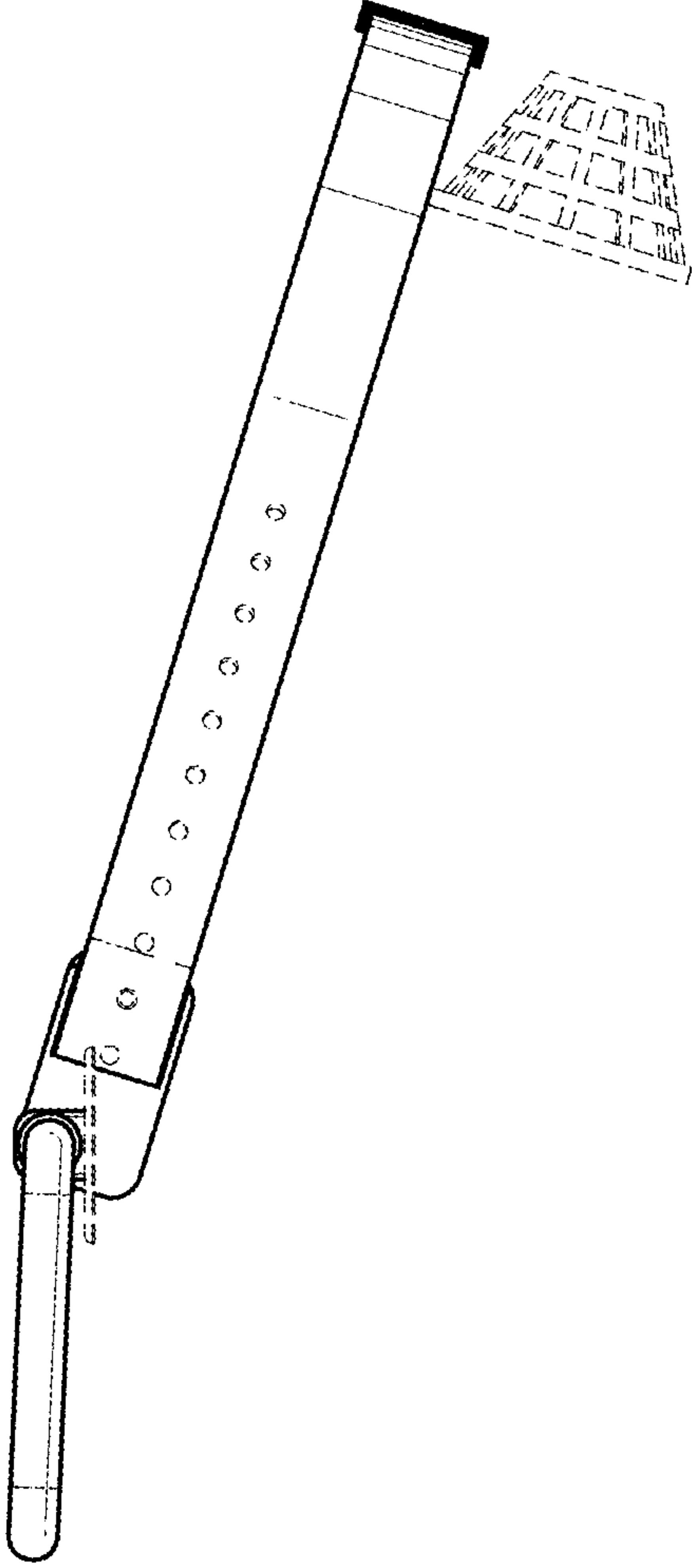


FIG. 3

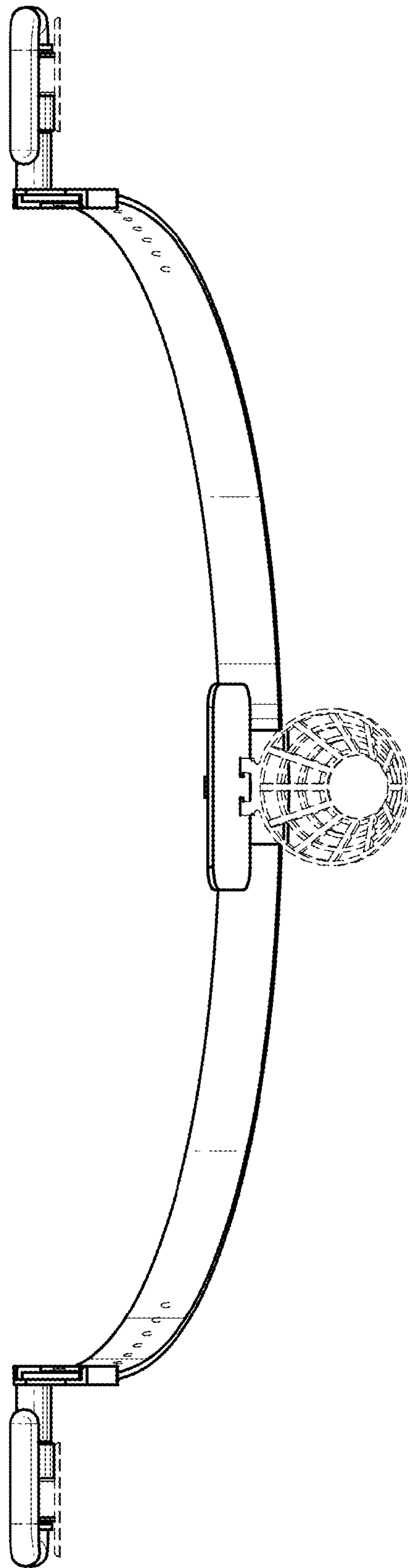


FIG. 4

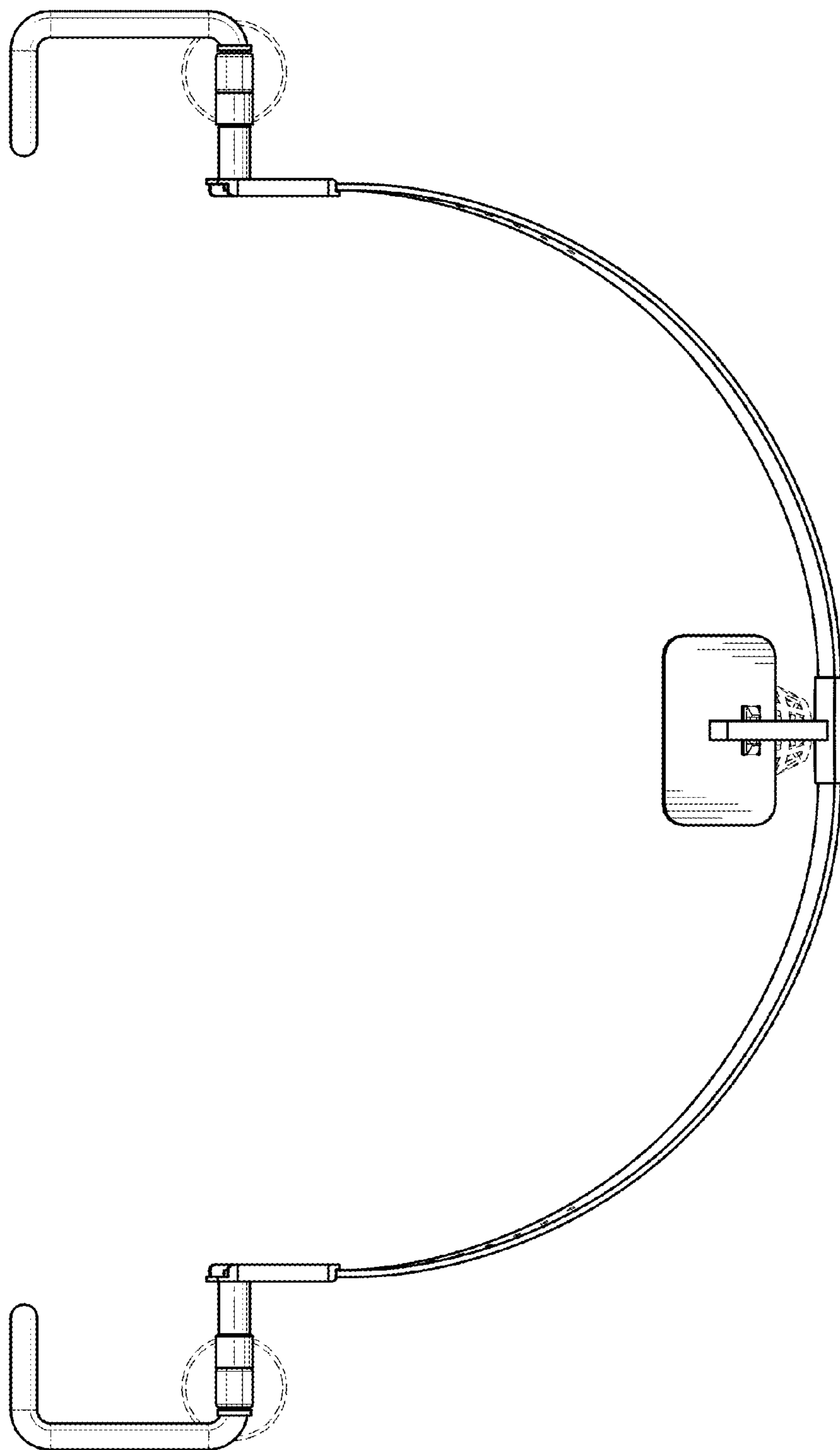


FIG. 5

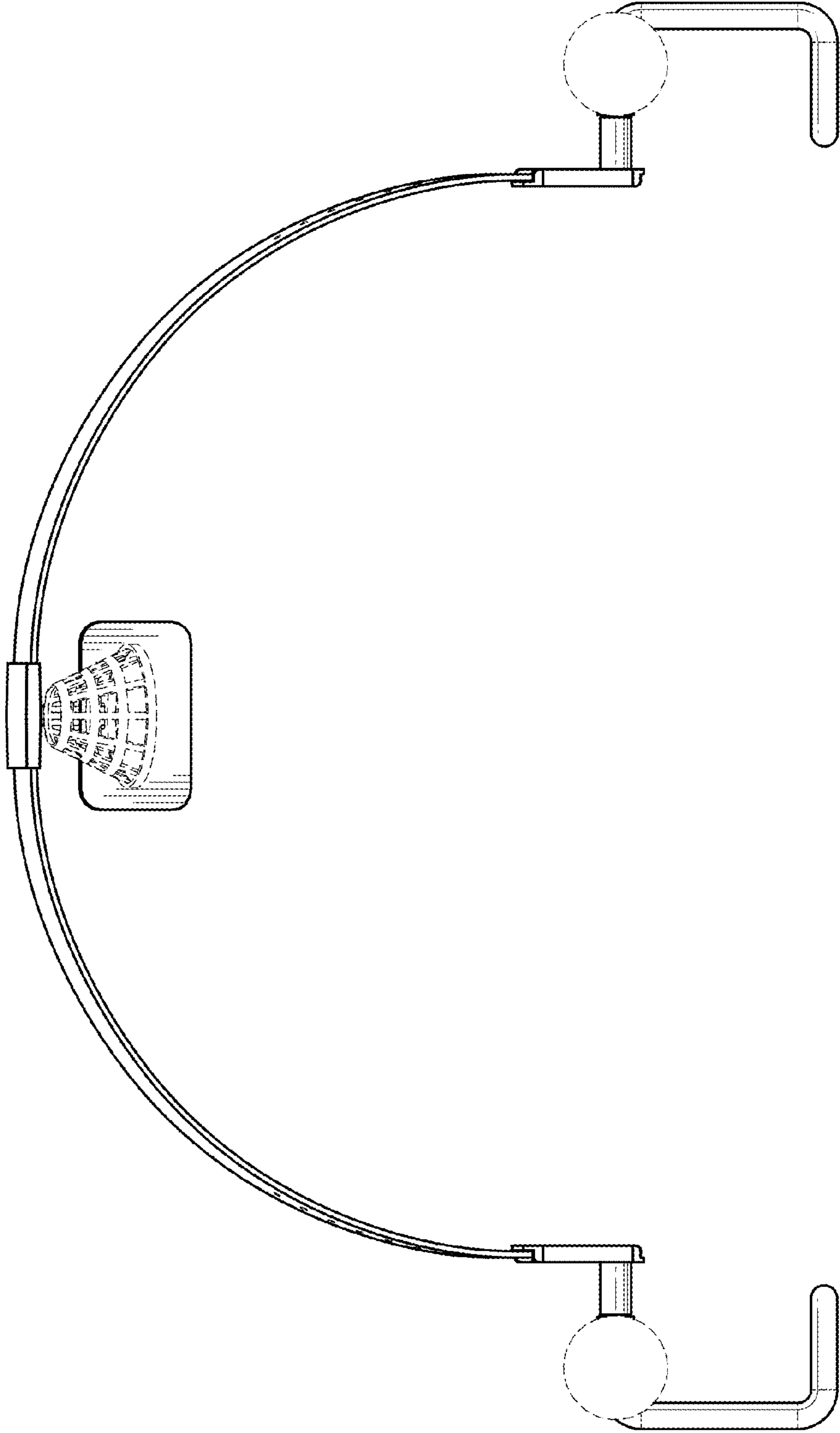


FIG. 6