



US00D728082S

(12) **United States Design Patent**
Sukhera et al.

(10) **Patent No.:** **US D728,082 S**
(45) **Date of Patent:** **** Apr. 28, 2015**

(54) **VANITY**

(71) Applicant: **IKOU Inc.**, Markham (CA)

(72) Inventors: **Harris Sukhera**, Markham (CA);
Sherky Ng, Markham (CA)

(**) Term: **14 Years**

(21) Appl. No.: **29/489,173**

(22) Filed: **Apr. 28, 2014**

(30) **Foreign Application Priority Data**

Oct. 30, 2013 (CA) 153683

(51) **LOC (10) Cl.** **23-02**

(52) **U.S. Cl.**
USPC **D23/286**

(58) **Field of Classification Search**

USPC D23/286, 272-274, 303, 308, 284, 287;
4/630, 631, 638, 643; D6/641, 655,
D6/633, 671, 671.3, 642; 312/228, 227;
D24/234

See application file for complete search history.

(56) **References Cited**

U.S. PATENT DOCUMENTS

458,909	A	*	9/1891	Lincoln	4/630
D140,575	S	*	3/1945	Stanitz	D23/286
D144,671	S	*	5/1946	Adolf	D23/286
D170,094	S	*	7/1953	Schmitt	D23/286
5,199,119	A	*	4/1993	Weber	4/630
D535,368	S	*	1/2007	Nelson	D23/286
D626,635	S	*	11/2010	Thomas	D23/286
D626,637	S	*	11/2010	Thomas	D23/286

* cited by examiner

Primary Examiner — Robert Delehanty

(74) *Attorney, Agent, or Firm* — Fleck & Chumak LLP

(57) **CLAIM**

The ornamental design for a vanity, as shown and described herein.

DESCRIPTION

FIG. 1 is a top perspective view of a first embodiment of the vanity of the claimed design, with kickplates shown in a closed (down) position;

FIG. 2 is a bottom perspective view thereof, including an enlarged, fragmentary view of the kickplate catch arrangement;

FIG. 3 is a front elevation view thereof;

FIG. 4 is a rear elevation view thereof;

FIG. 5 is a left-side elevation view thereof;

FIG. 6 is a right-side elevation view thereof;

FIG. 7 is a top plan view thereof;

FIG. 8 is a bottom plan view thereof;

FIG. 9 is a bottom plan view thereof, with kickplates shown in an open (up) position, including an enlarged fragmentary view of the hinge arrangement;

FIG. 10 is a top perspective view thereof;

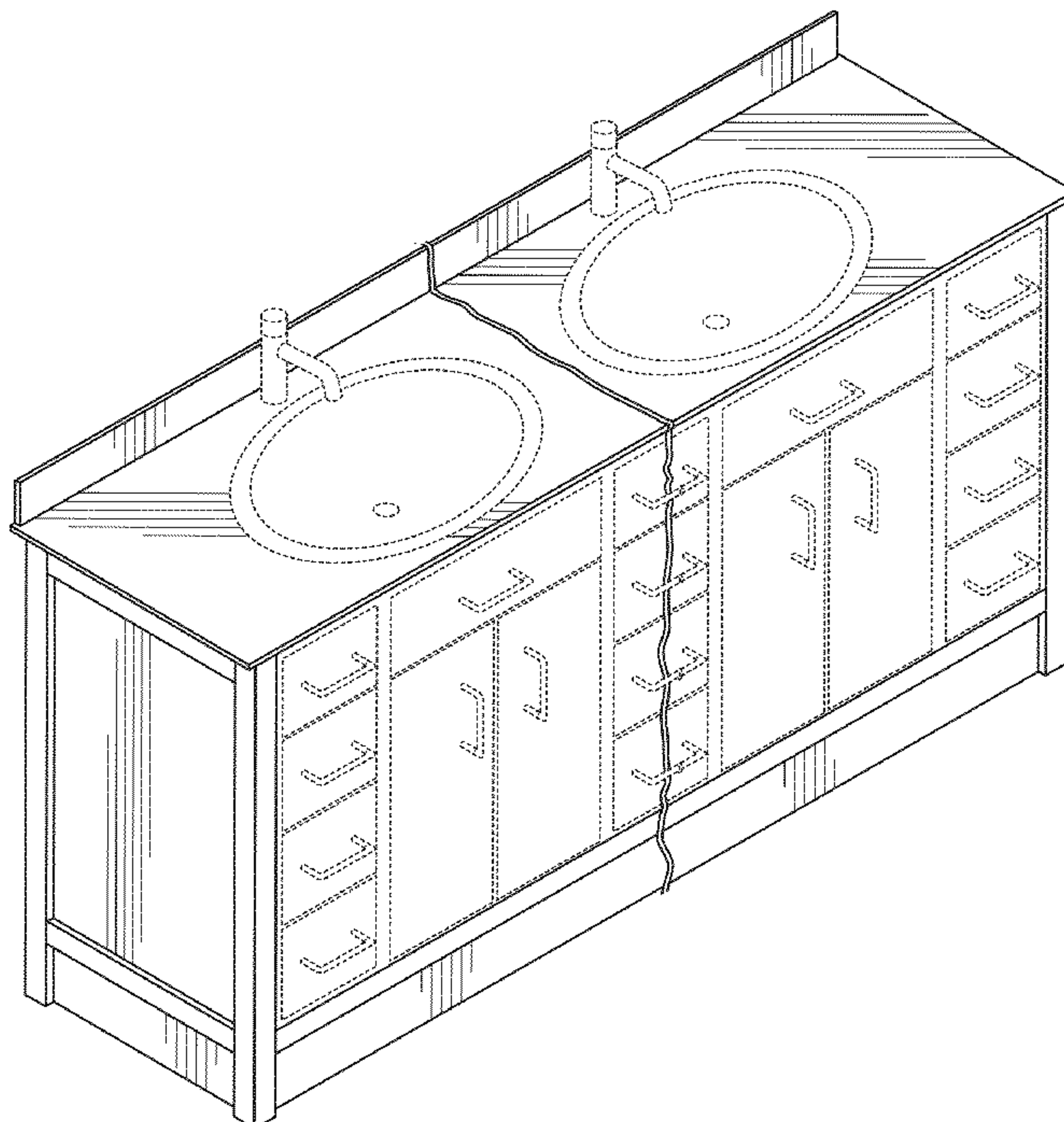
FIG. 11 is a bottom perspective view thereof;

FIG. 12 is a top perspective view of a second embodiment of the vanity of the claimed design, with kickplates shown in a closed (down) position; and,

FIG. 13 is a bottom perspective view thereof.

The features shown in broken lines do not form part of the claimed design.

1 Claim, 11 Drawing Sheets



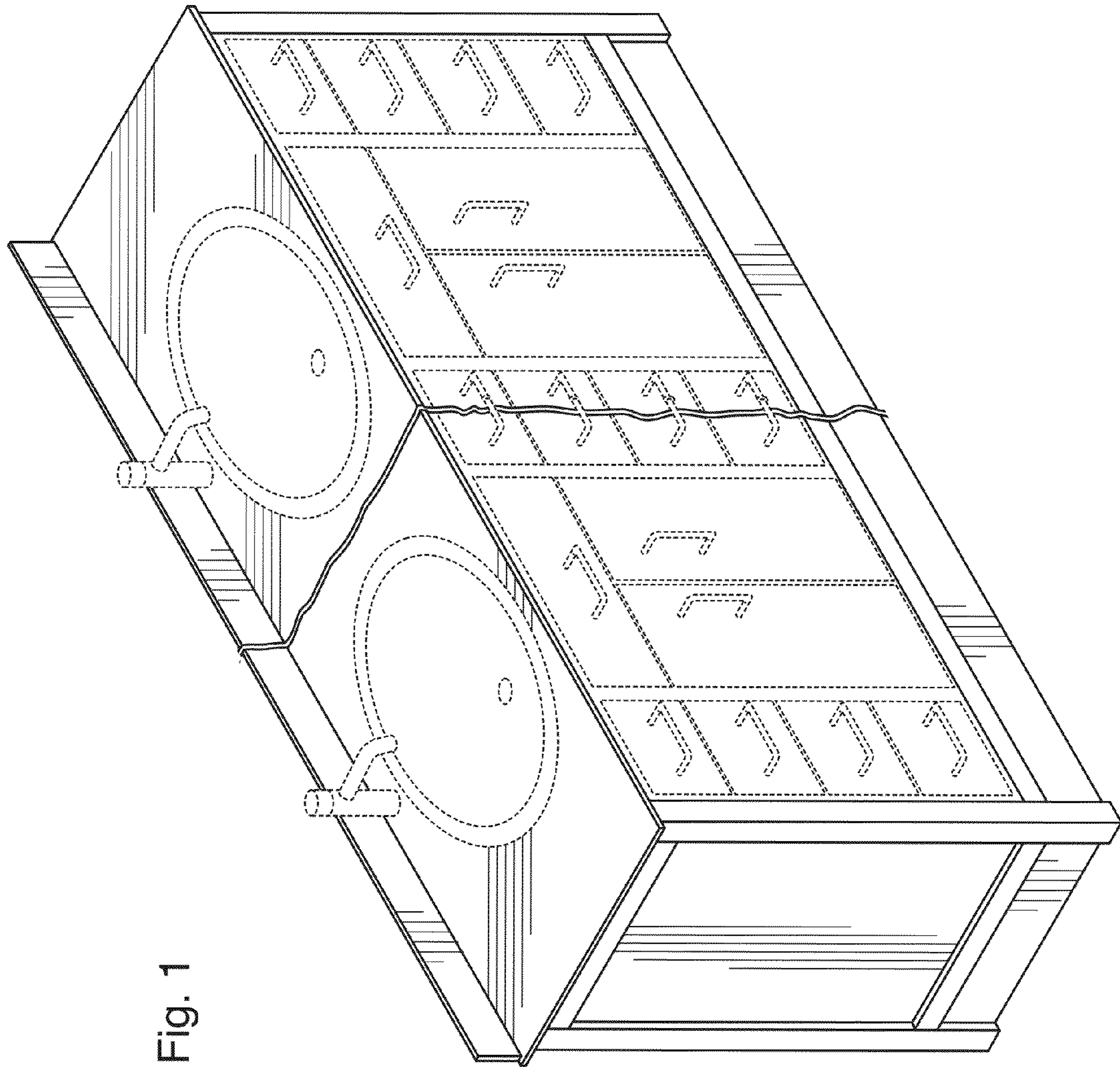


Fig. 1

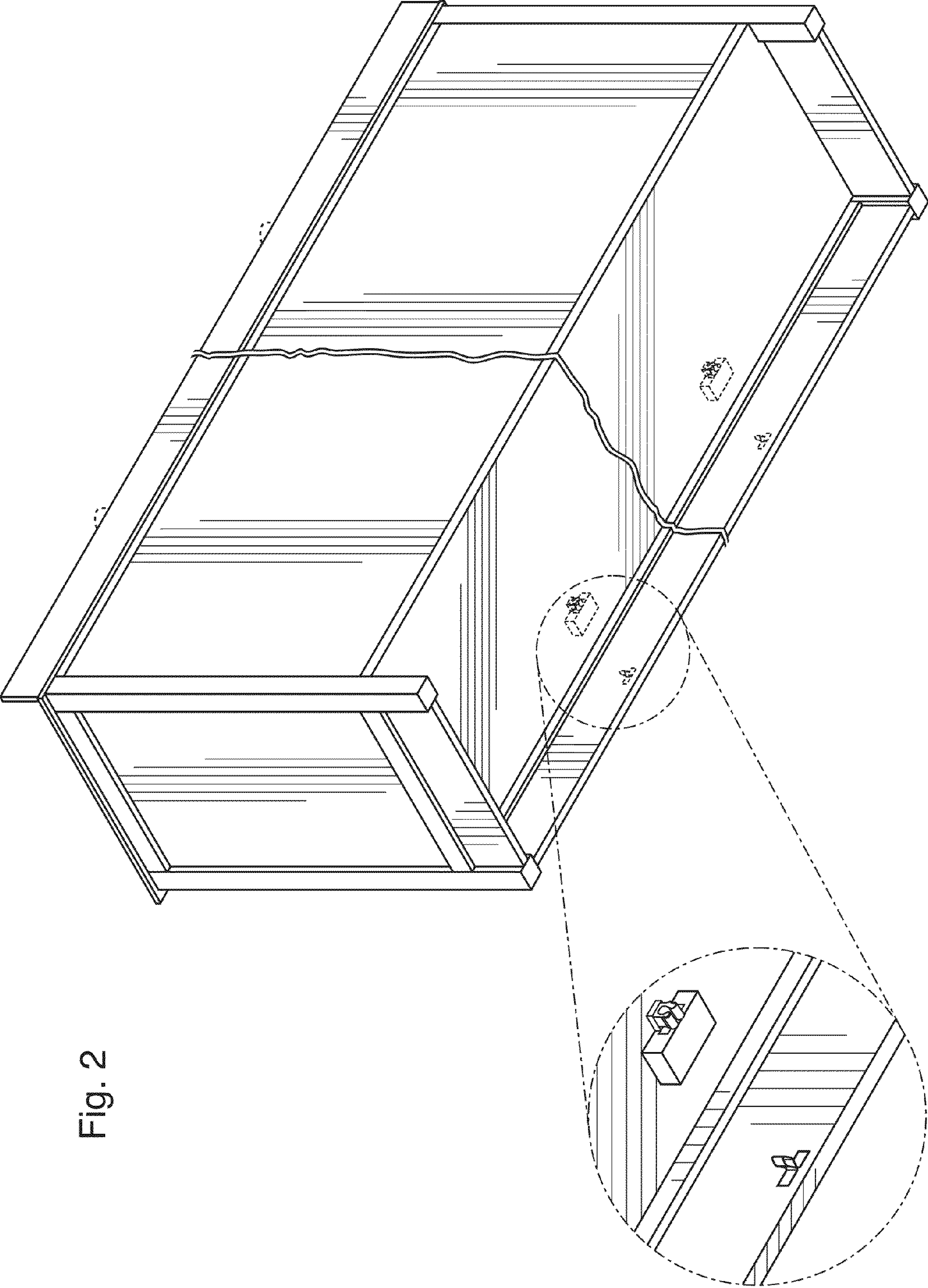


Fig. 2

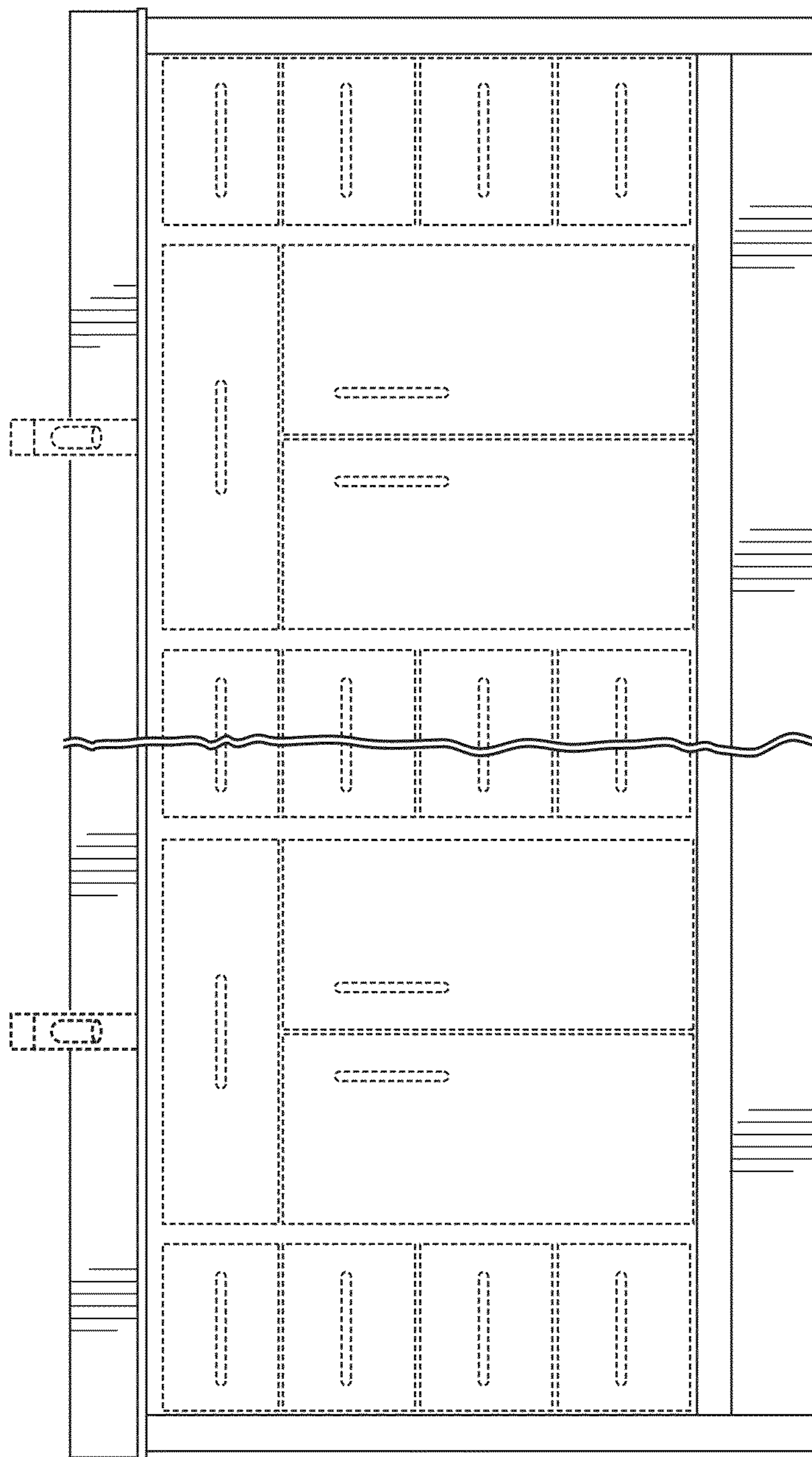


Fig. 3

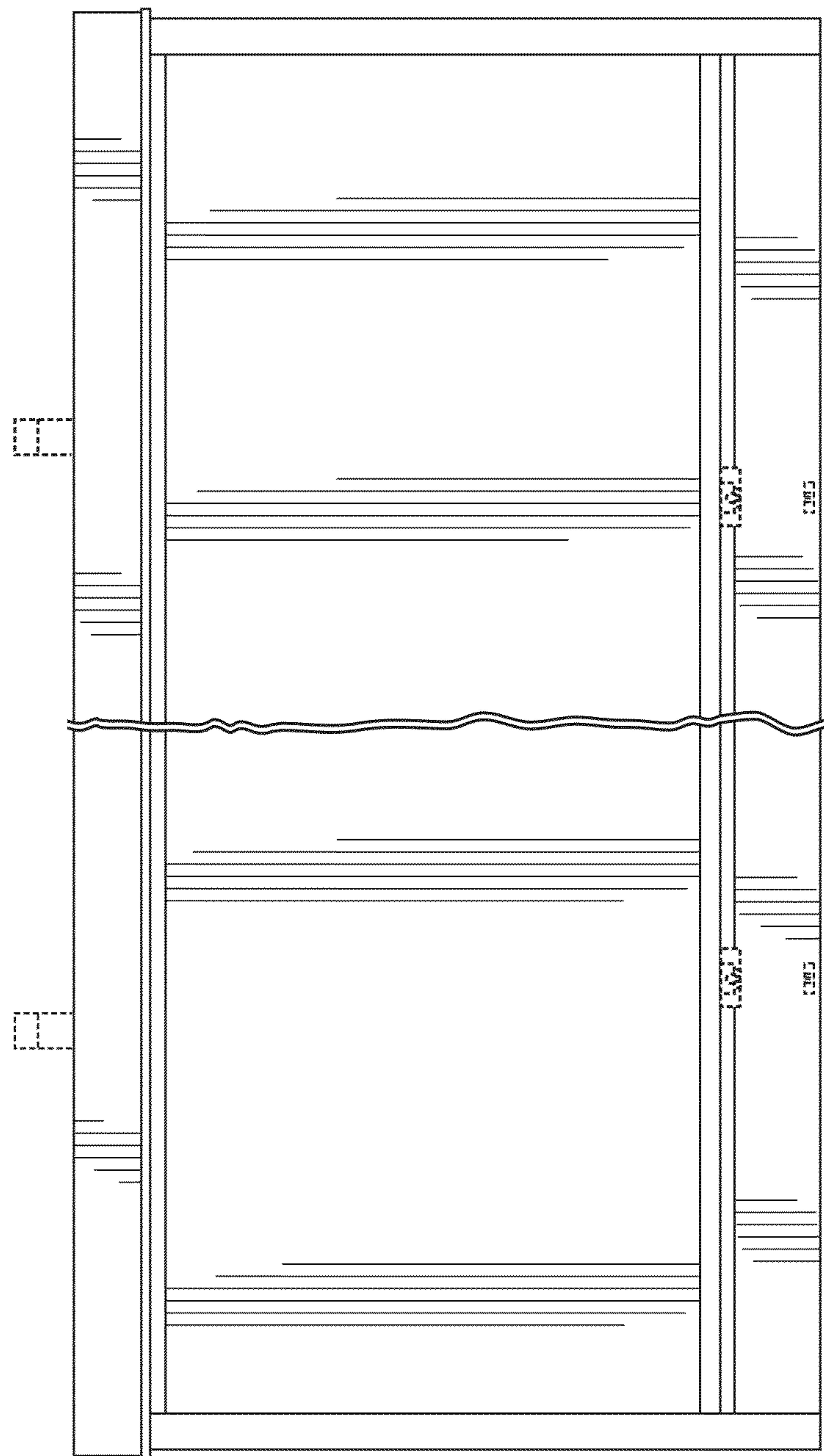


Fig. 4

Fig. 6

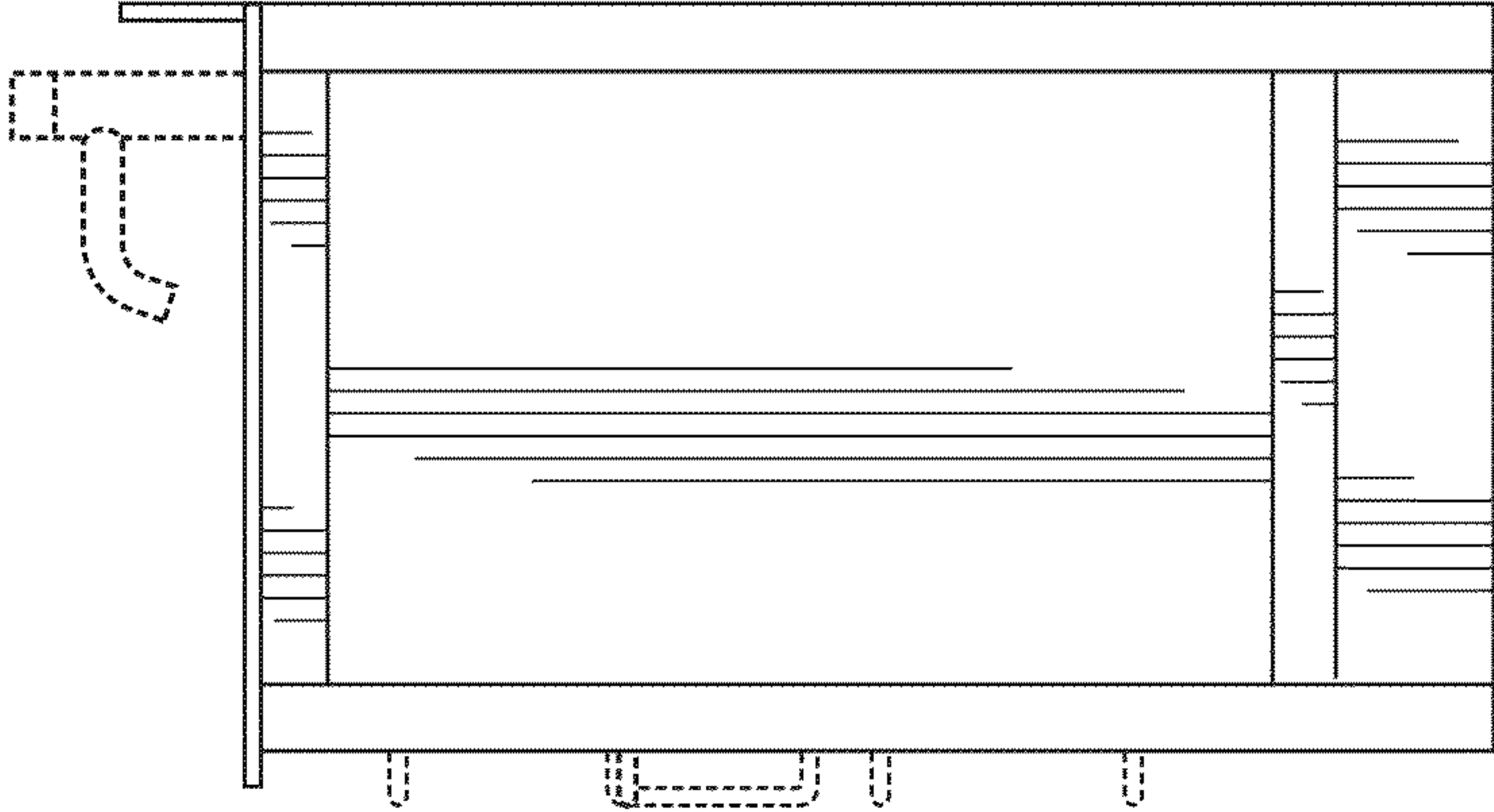
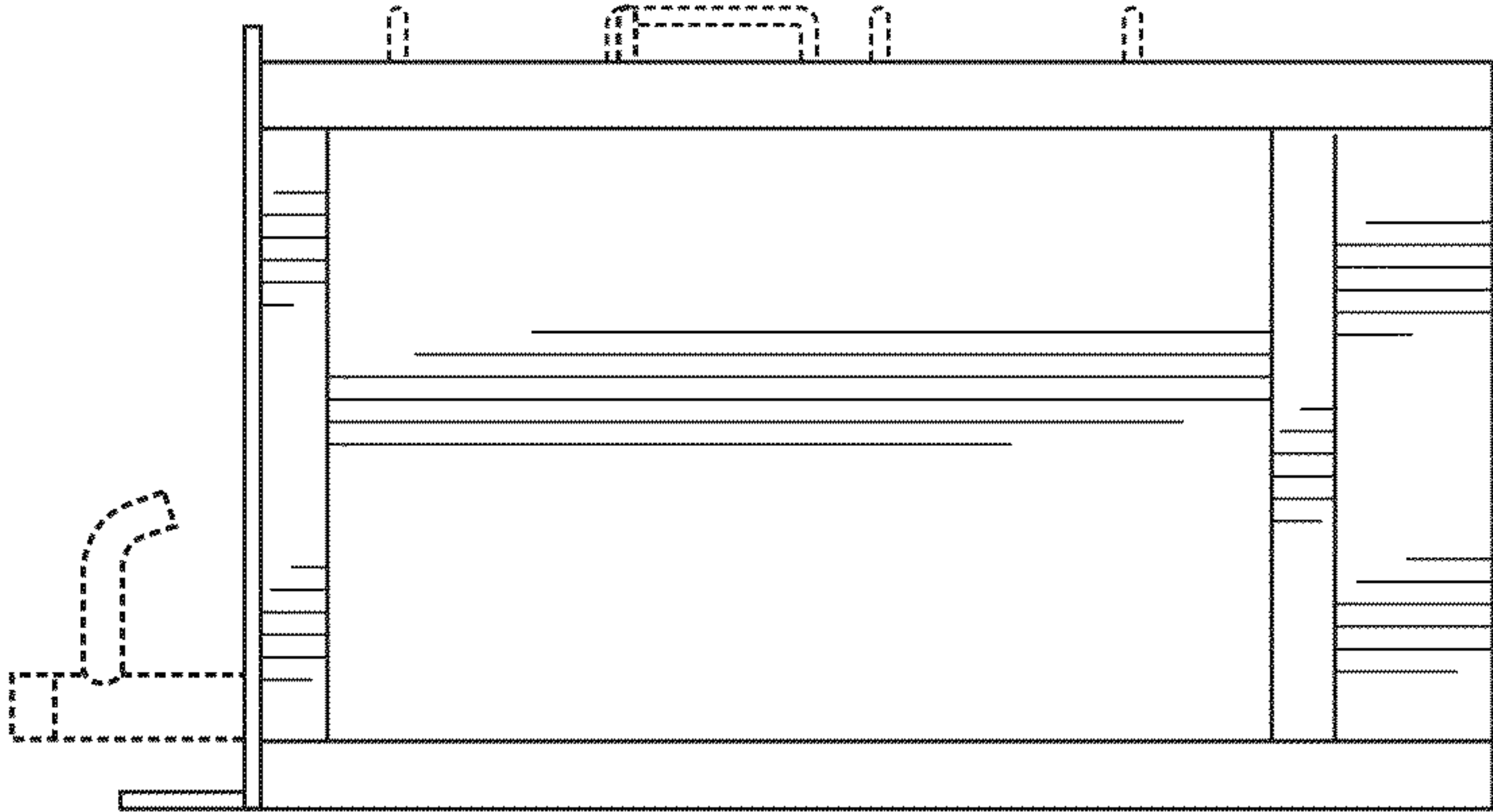


Fig. 5



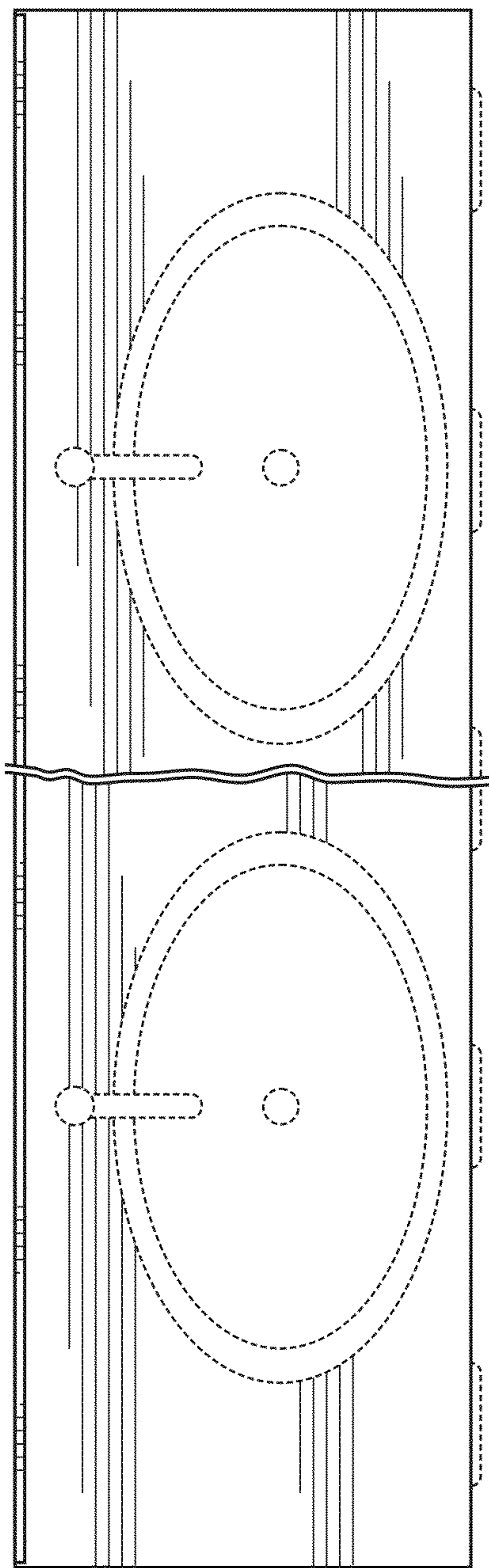


Fig. 7

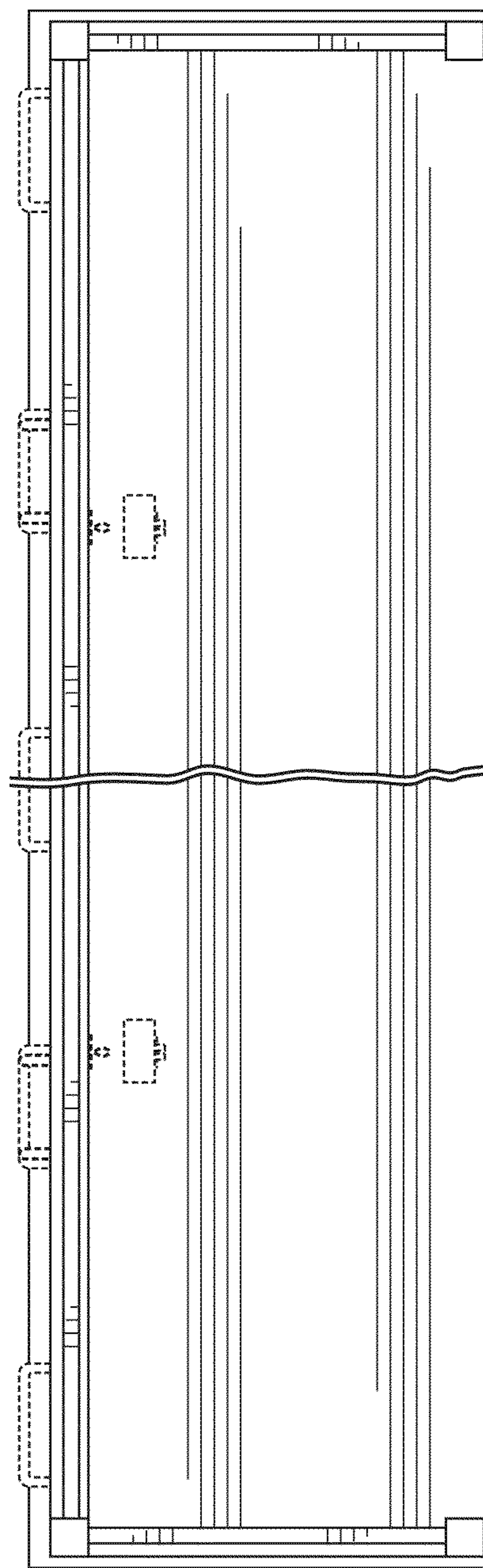


Fig. 8

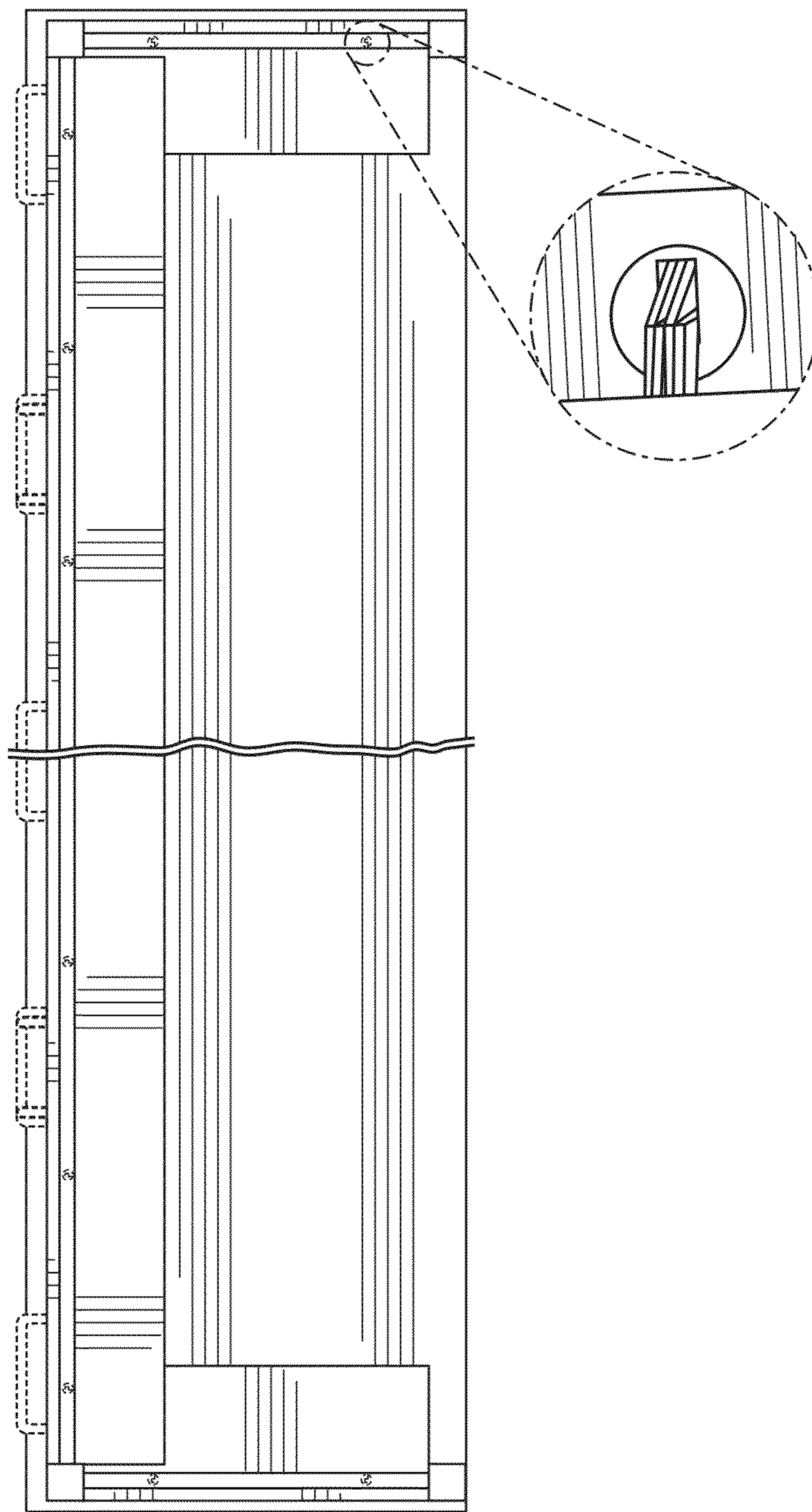


Fig. 9

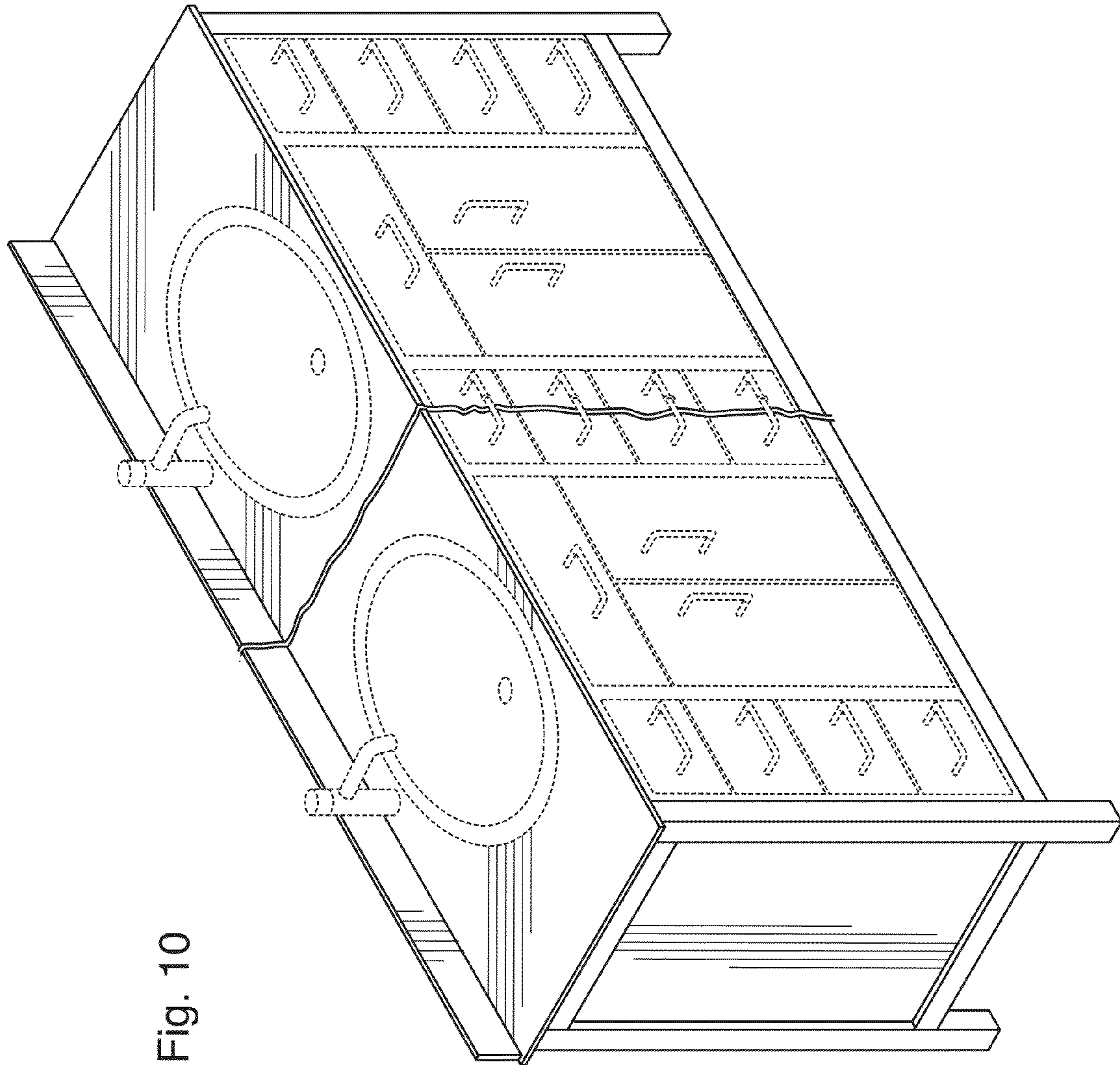


Fig. 10

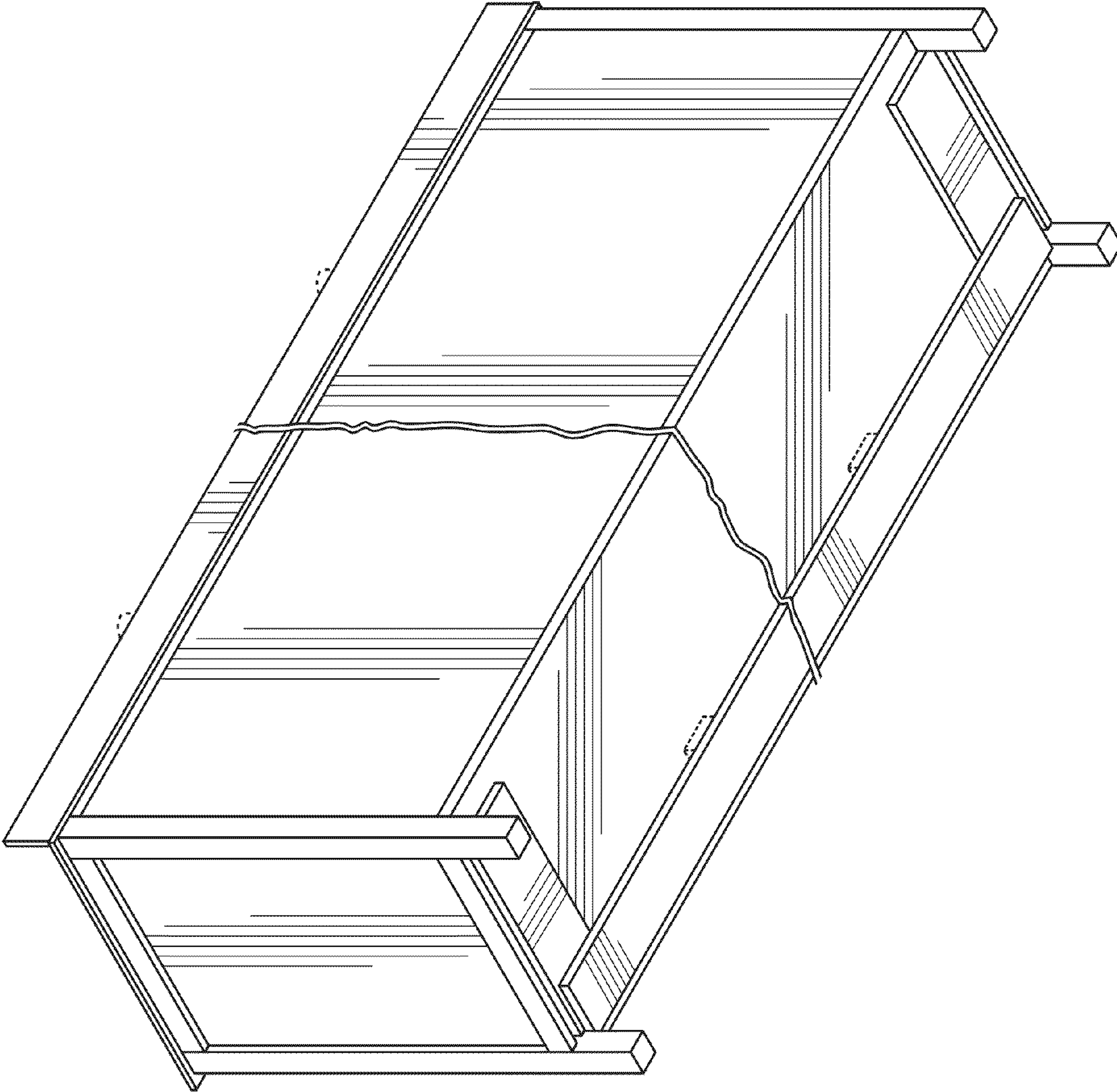


Fig. 11

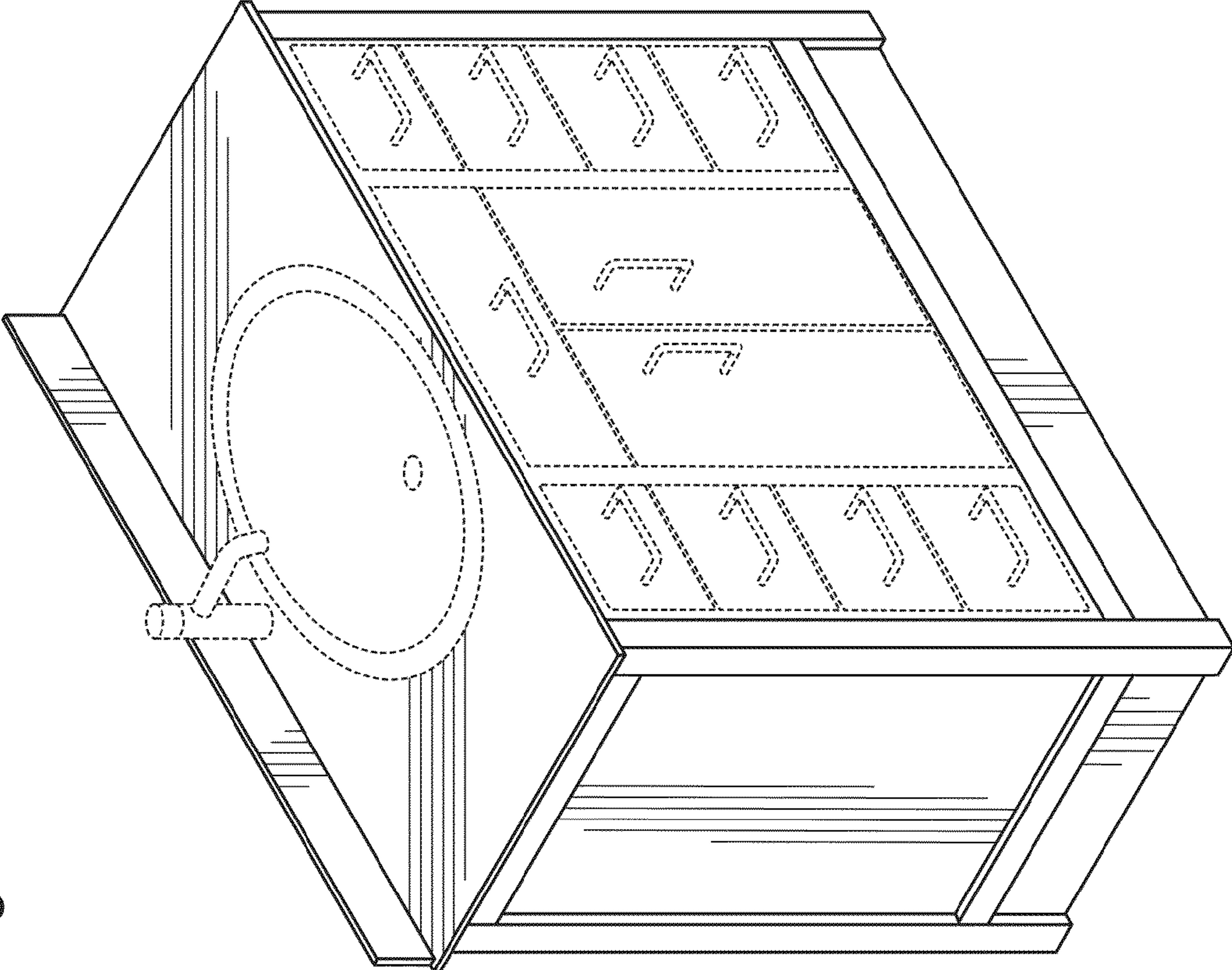


Fig. 12

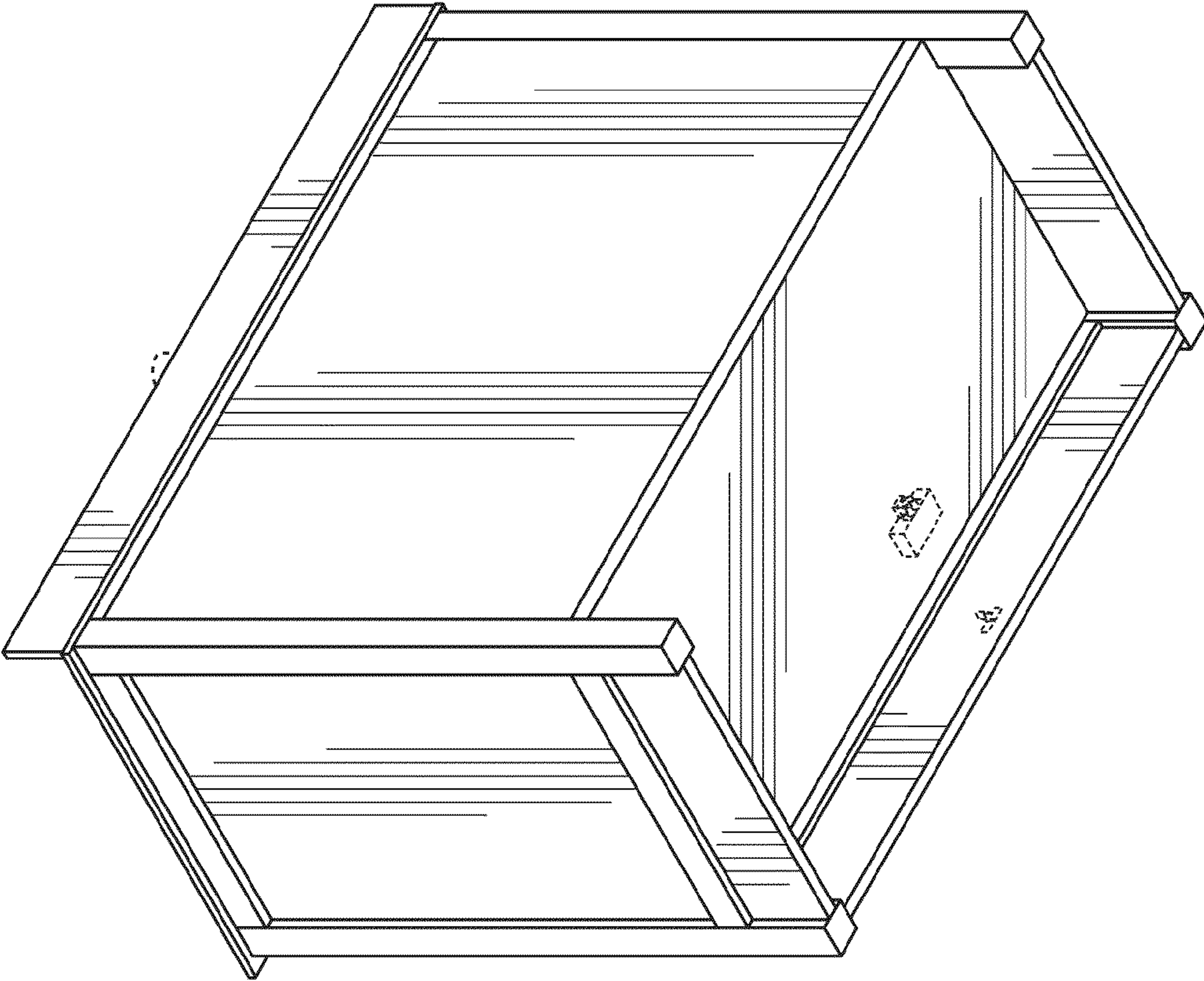


Fig. 13